

US00D695428S

(12) **United States Design Patent**
Ke

(10) **Patent No.:** **US D695,428 S**

(45) **Date of Patent:** **** Dec. 10, 2013**

(54) **LIGHT EMITTING DIODE BULB**

Primary Examiner — Marcus Jackson

(75) Inventor: **Yu-Chuan Ke**, New Taipei (TW)

(74) *Attorney, Agent, or Firm* — Jianq Chyun IP Office

(73) Assignees: **Cal-Comp Electronics & Communications Company Limited**, New Taipei (TW); **Kinpo Electronics, Inc.**, New Taipei (TW)

(57) **CLAIM**

The ornamental design for a light emitting diode bulb, as shown and described.

(**) Term: **14 Years**

(21) Appl. No.: **29/423,178**

DESCRIPTION

(22) Filed: **May 29, 2012**

(30) **Foreign Application Priority Data**

Dec. 2, 2011 (EP) 001304703

(51) **LOC (9) Cl.** **26-04**

(52) **U.S. Cl.**
USPC **D26/2**

(58) **Field of Classification Search**
USPC D26/1-4; 313/313, 315, 316, 317, 318,
313/493; 315/52, 53, 56, 57, 58
See application file for complete search history.

(56) **References Cited**

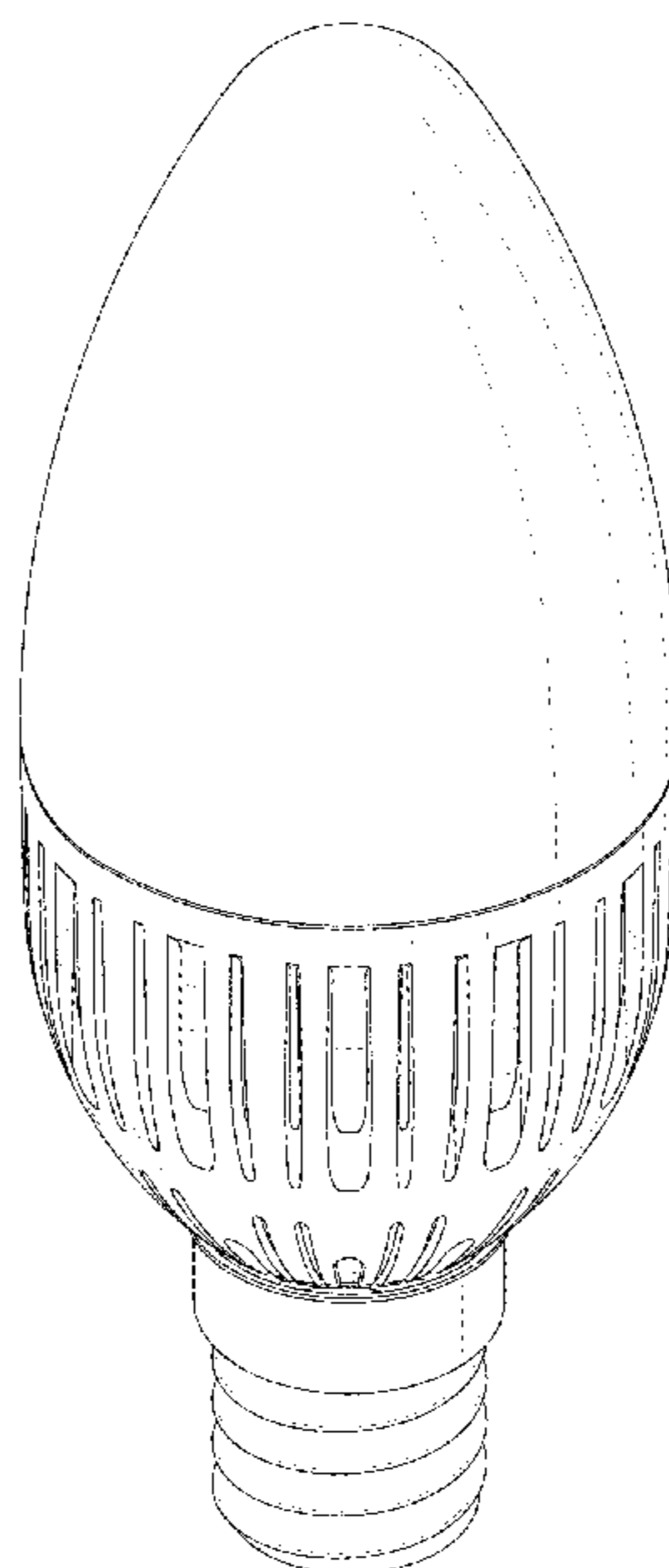
U.S. PATENT DOCUMENTS

D471,294 S *	3/2003	Bobel	D26/2
D487,939 S *	3/2004	Smith	D26/2
D494,688 S *	8/2004	Van de Ven et al.	D26/2
D499,820 S *	12/2004	Foo	D26/2
D500,872 S *	1/2005	Foo	D26/2
D534,665 S *	1/2007	Egawa et al.	D26/2
D543,288 S *	5/2007	Bembridge	D26/2
D634,451 S *	3/2011	de Visser	D26/2
D661,821 S *	6/2012	Veres et al.	D26/2

FIG. 1 is a perspective view of a lighting emitting diode bulb showing a first embodiment of our new design;
FIG. 2 is a front view thereof;
FIG. 3 is a rear view thereof;
FIG. 4 is a left side view thereof;
FIG. 5 is a right side view thereof;
FIG. 6 is a top view thereof;
FIG. 7 is a bottom view thereof;
FIG. 8 is a perspective view of a lighting emitting diode bulb showing a second embodiment of our new design;
FIG. 9 is a front view thereof;
FIG. 10 is a rear view thereof;
FIG. 11 is a left side view thereof;
FIG. 12 is a right side view thereof;
FIG. 13 is a top view thereof;
FIG. 14 is a bottom view thereof;
FIG. 15 is a perspective view of a lighting emitting diode bulb showing a third embodiment of our new design;
FIG. 16 is a front view thereof;
FIG. 17 is a rear view thereof;
FIG. 18 is a left side view thereof;
FIG. 19 is a right side view thereof;
FIG. 20 is a top view thereof; and,
FIG. 21 is a bottom view thereof.

* cited by examiner

1 Claim, 18 Drawing Sheets



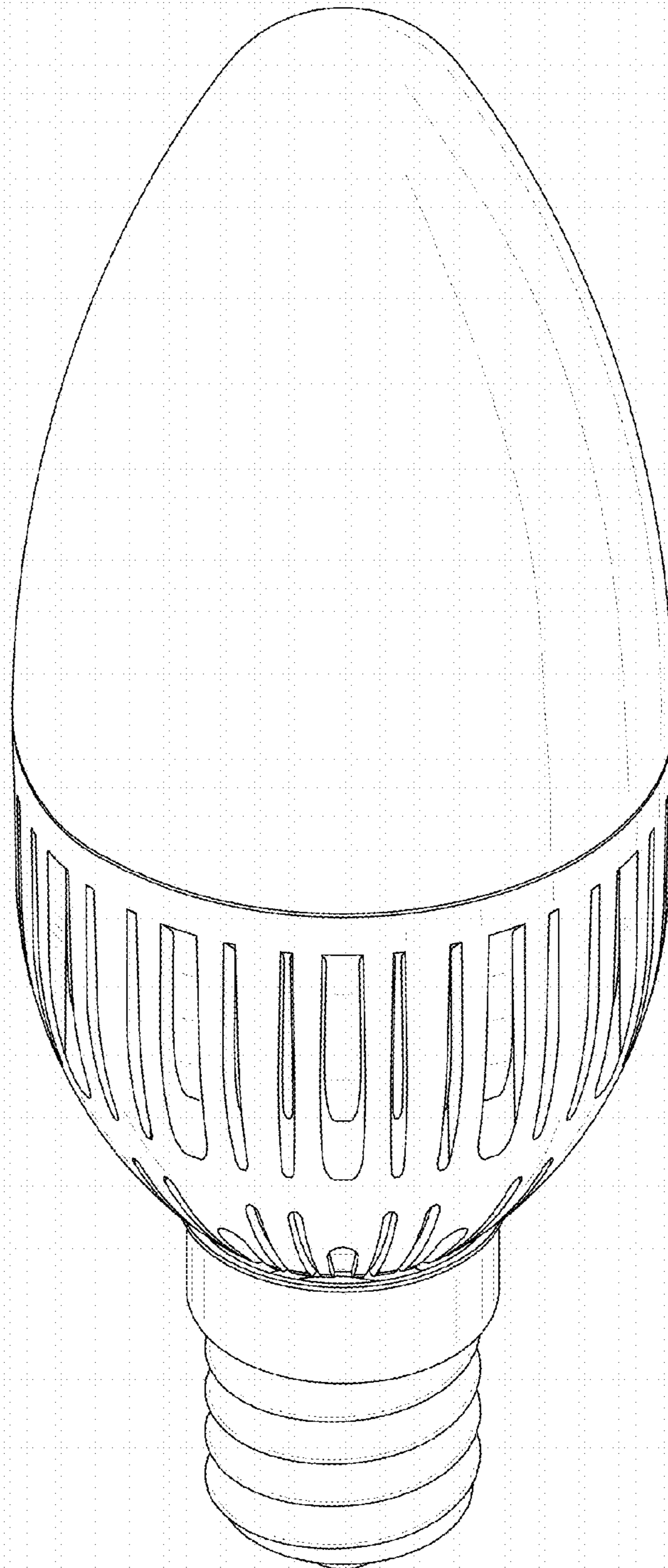


FIG. 1

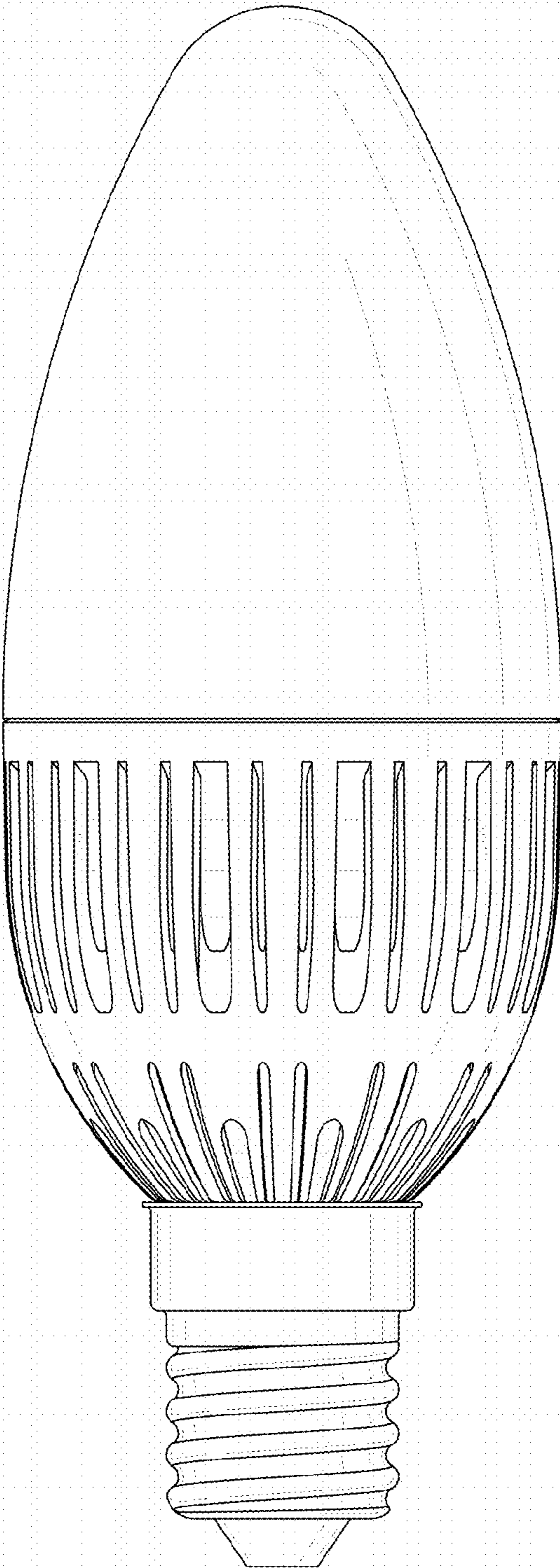


FIG. 2

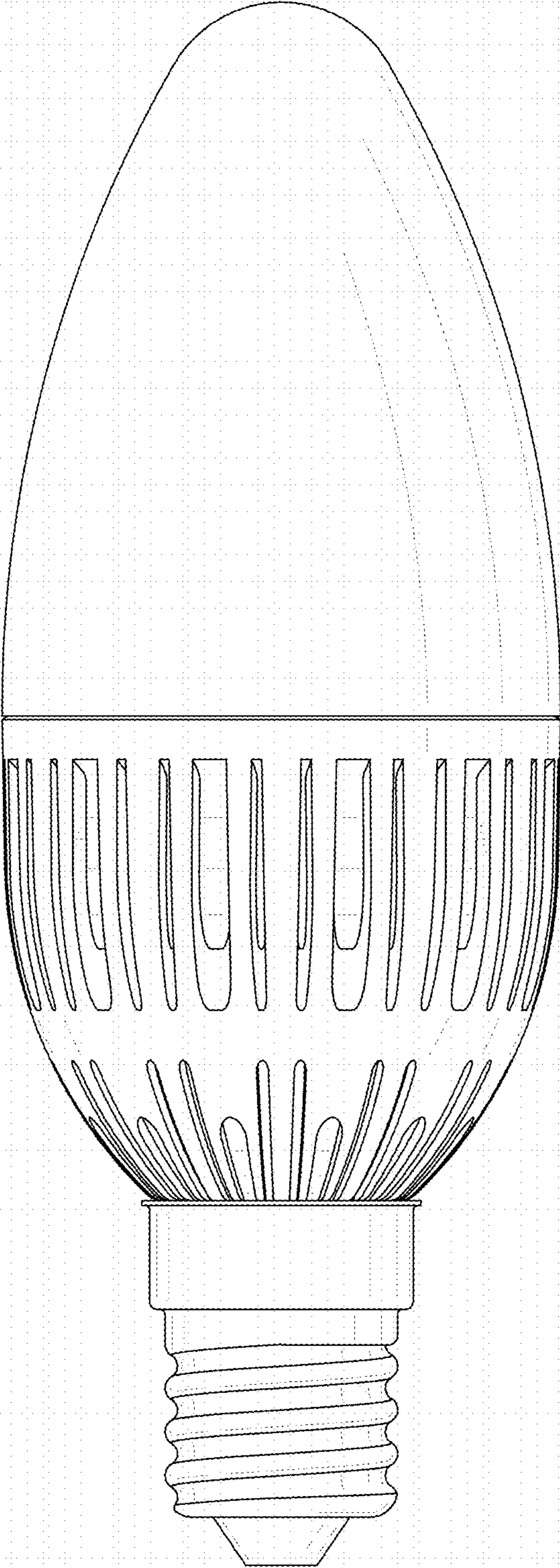


FIG. 3

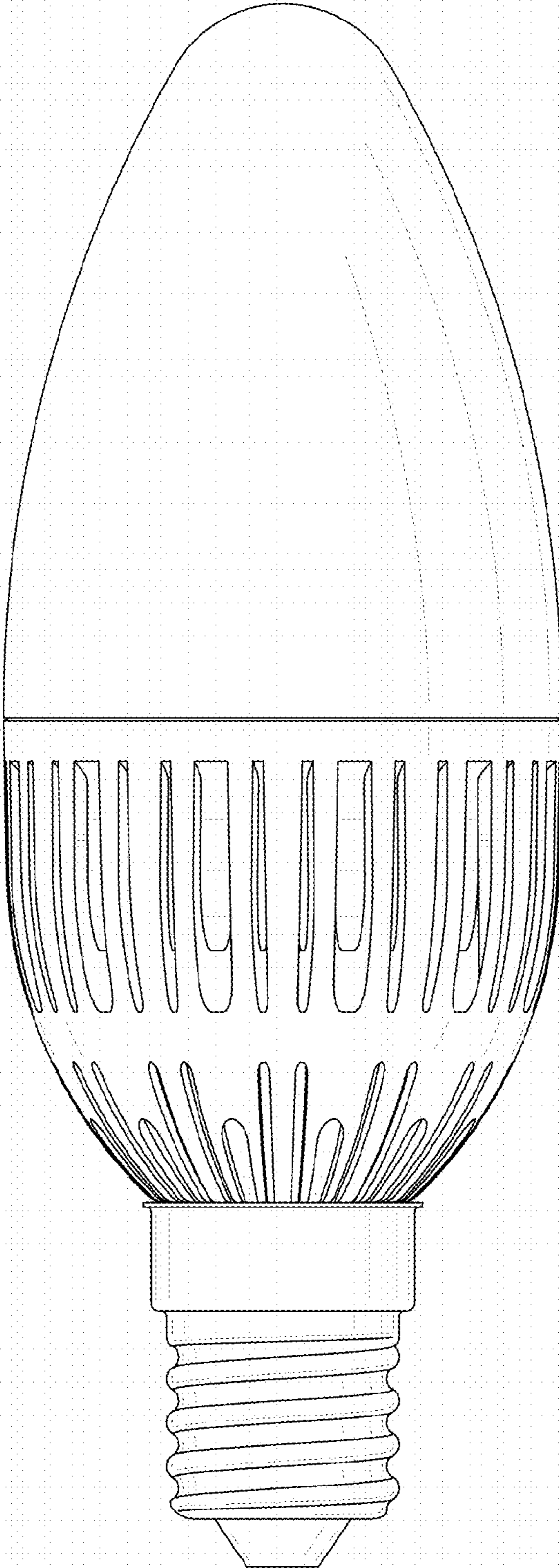


FIG. 4

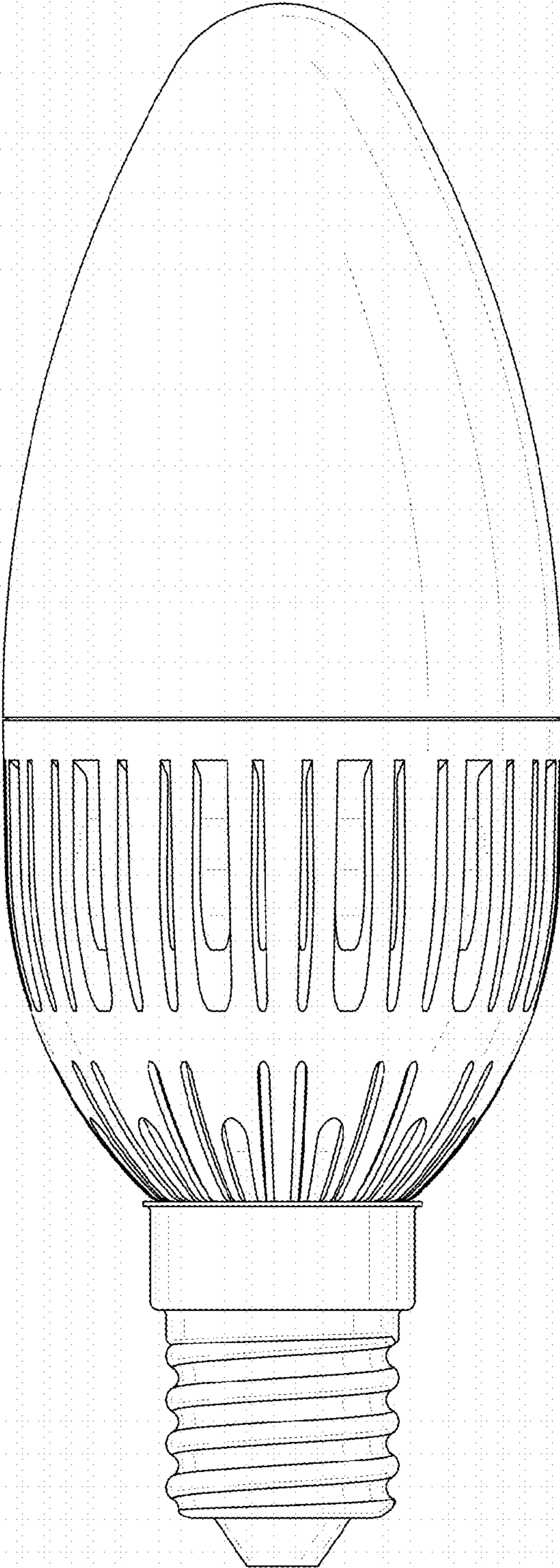


FIG. 5

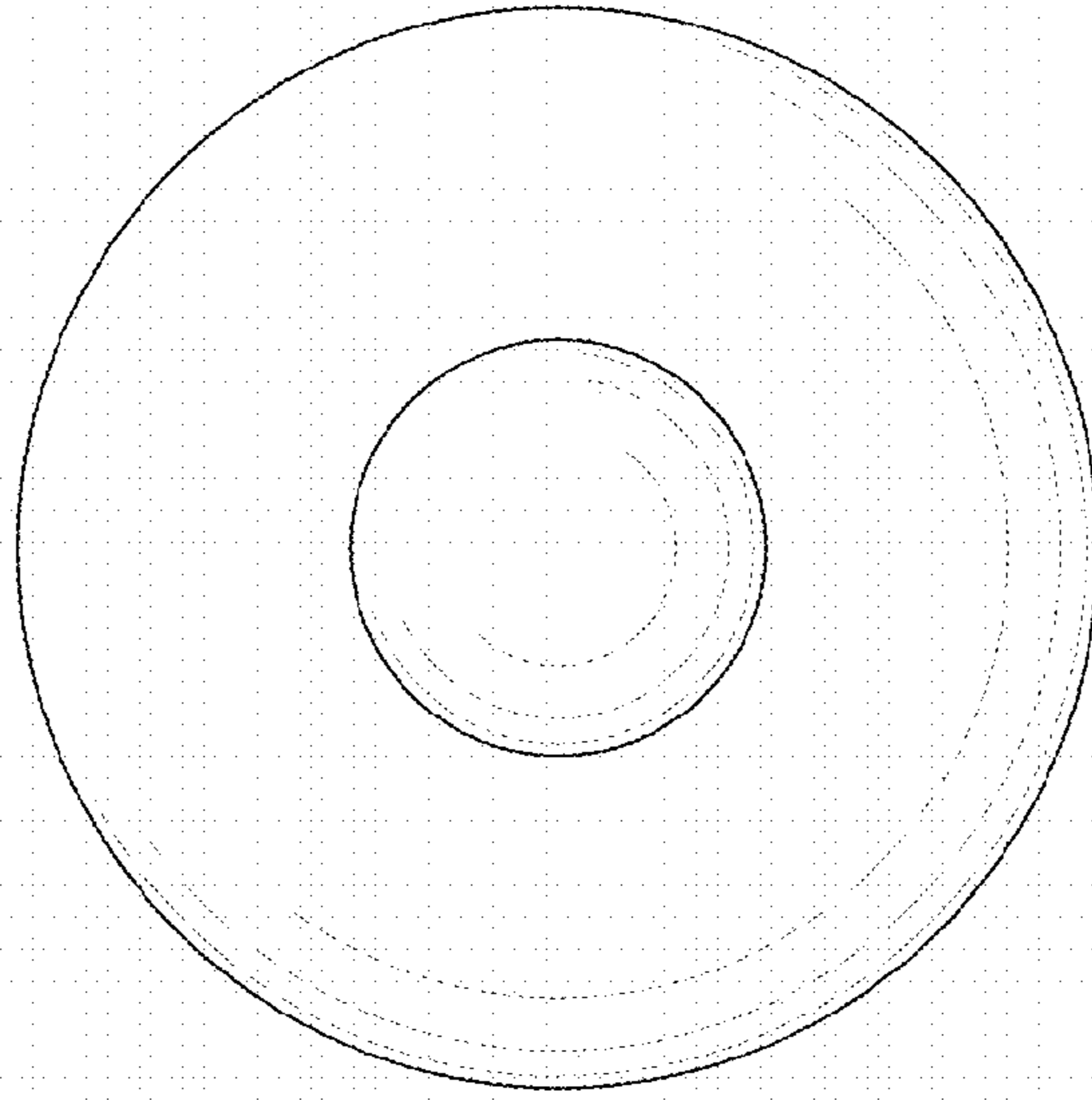


FIG. 6

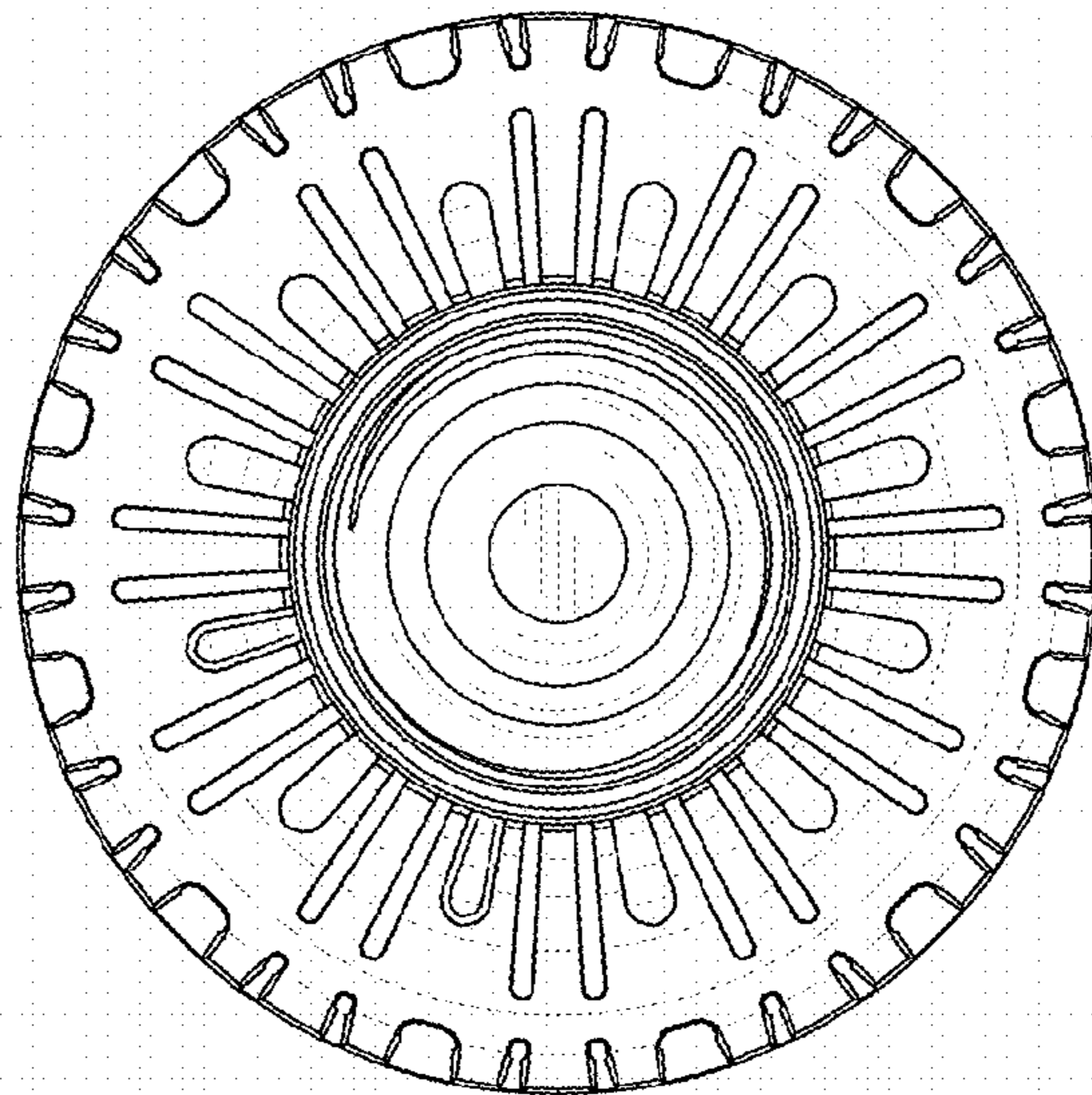


FIG. 7

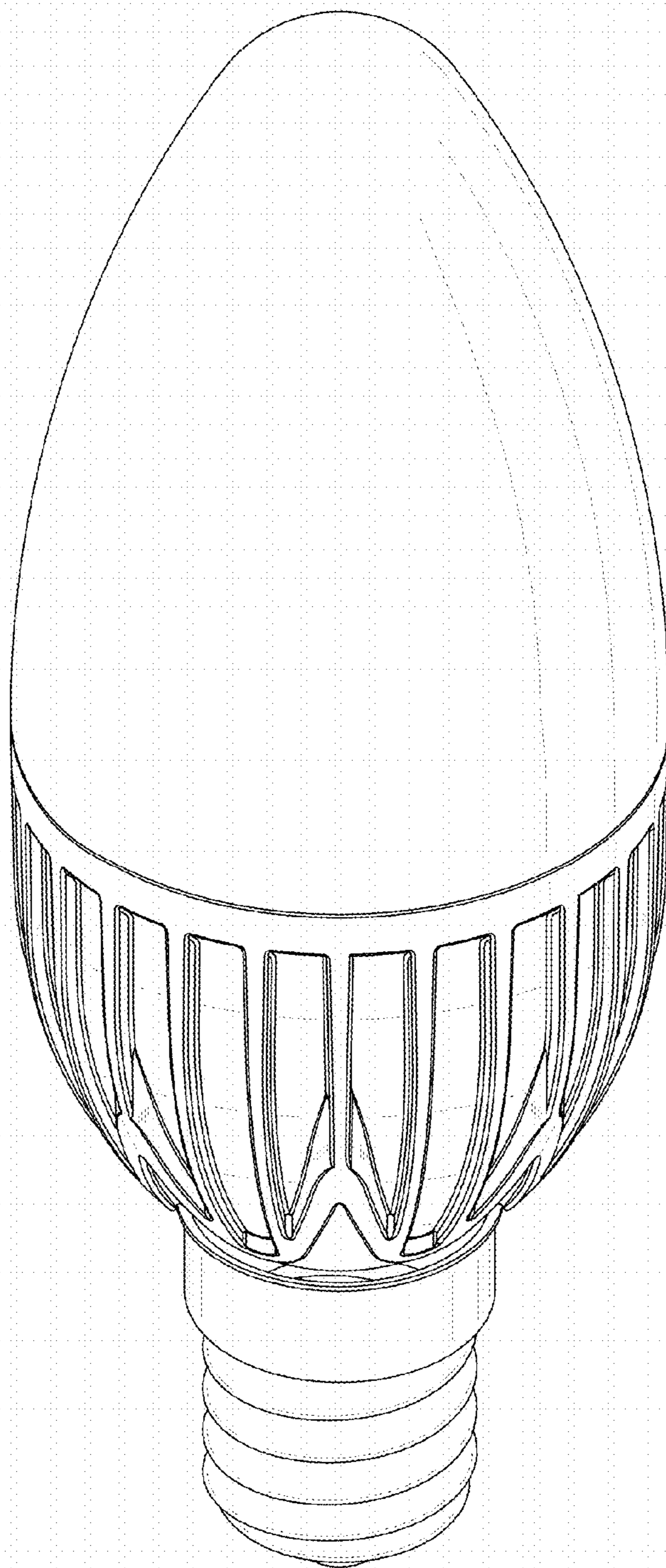


FIG. 8

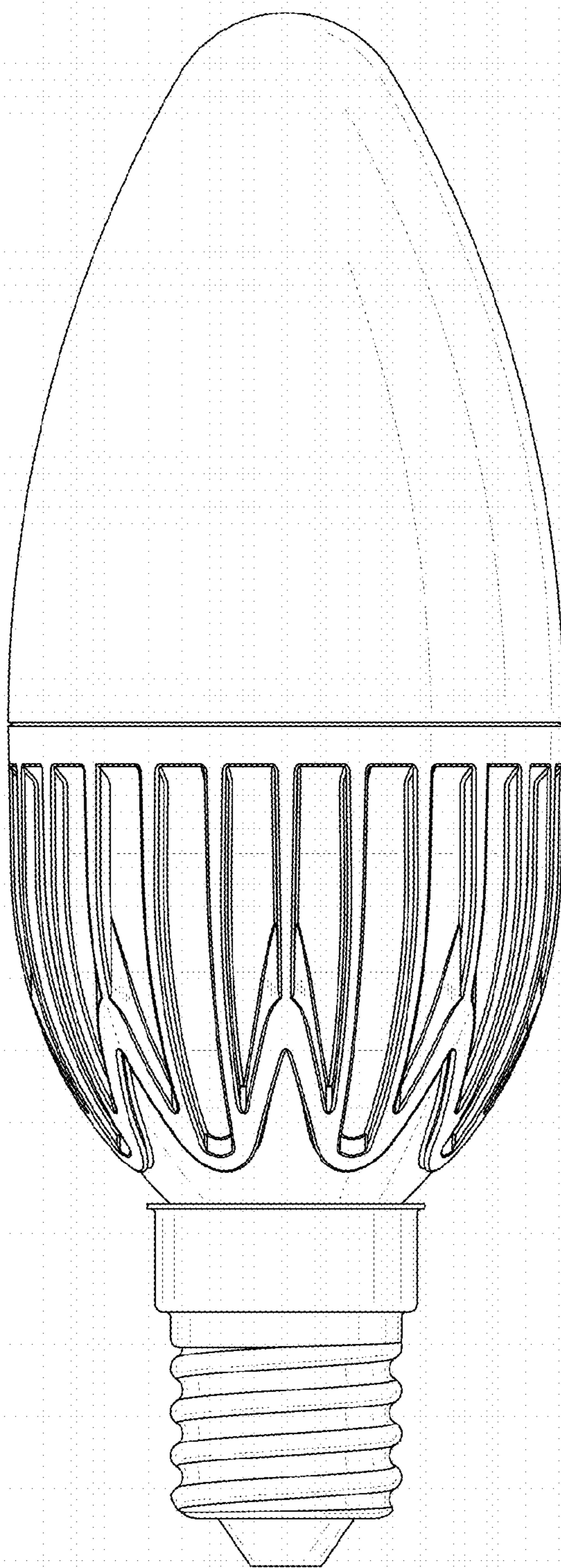


FIG. 9

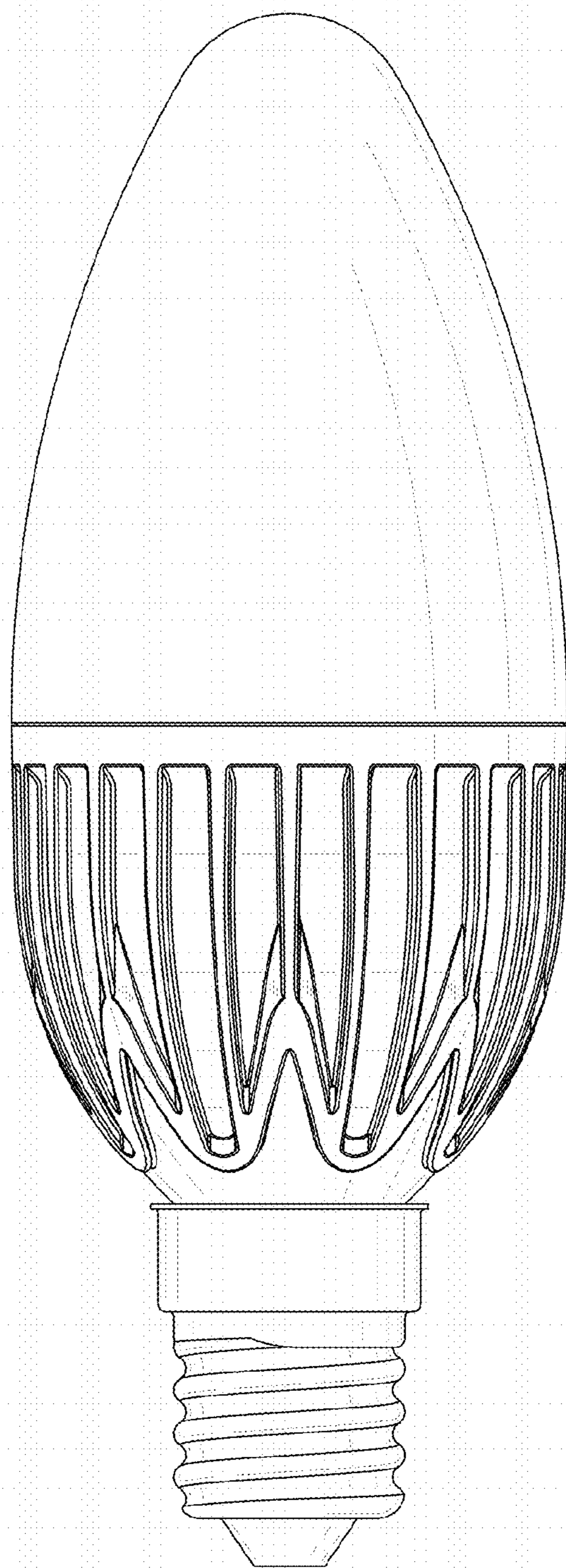


FIG. 10

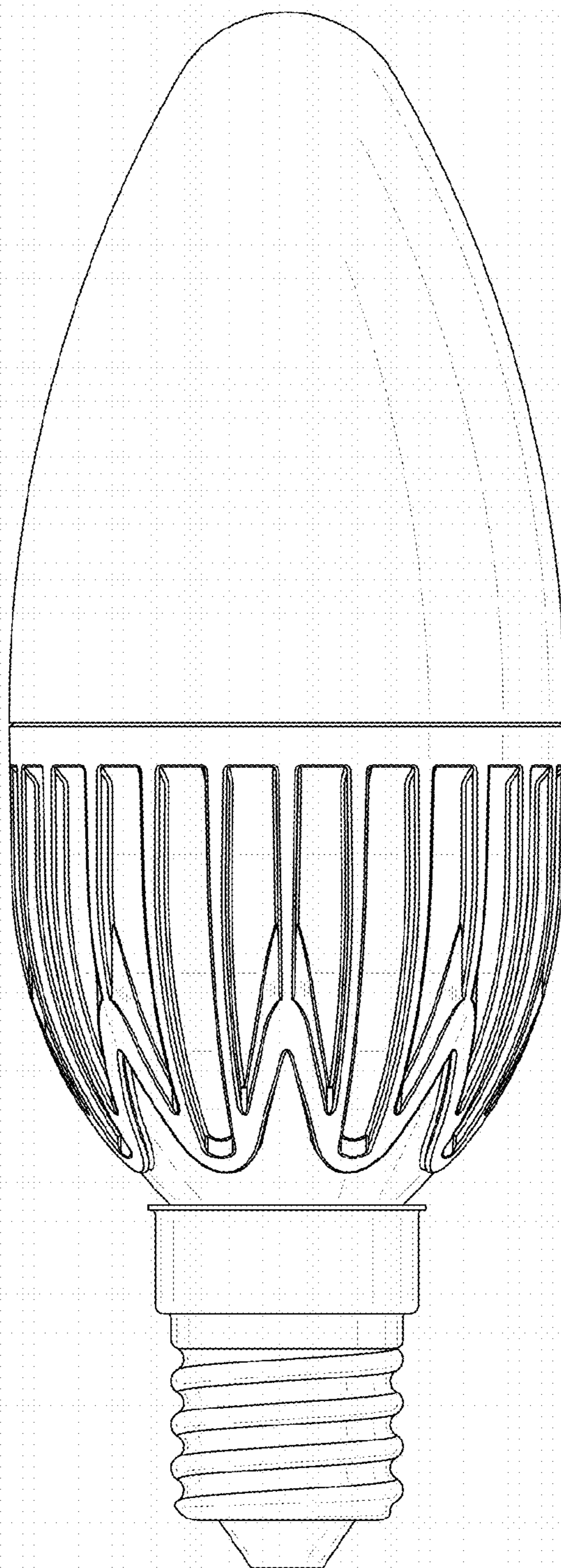


FIG. 11

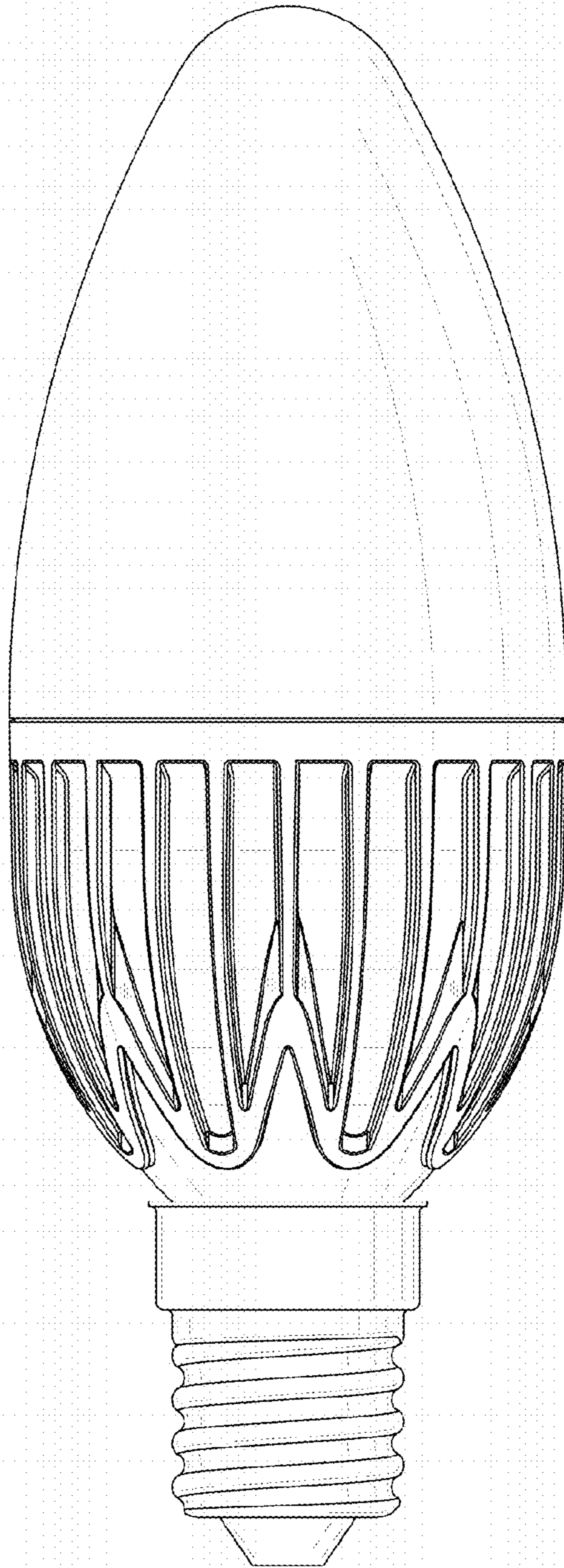


FIG. 12

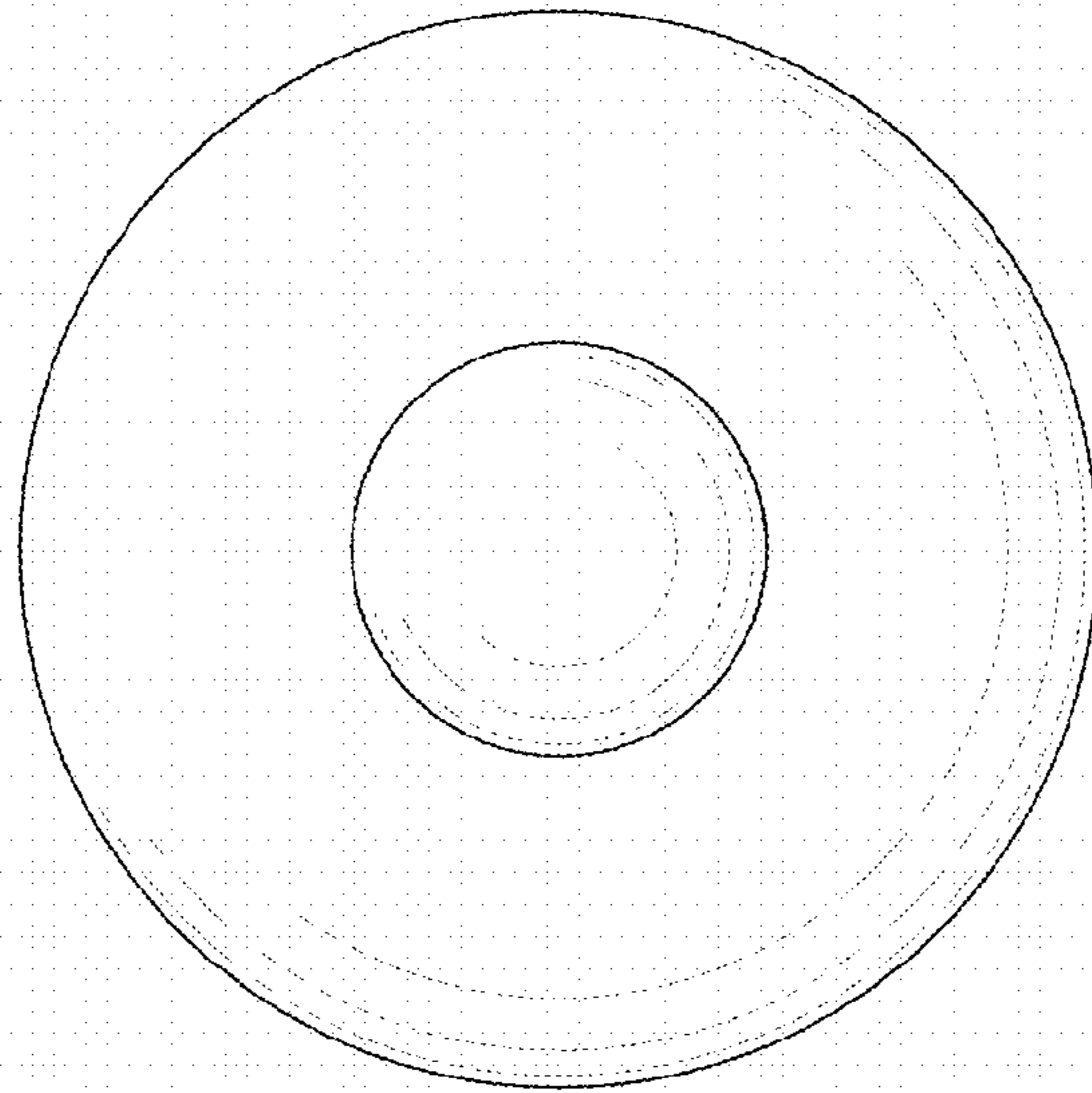


FIG. 13

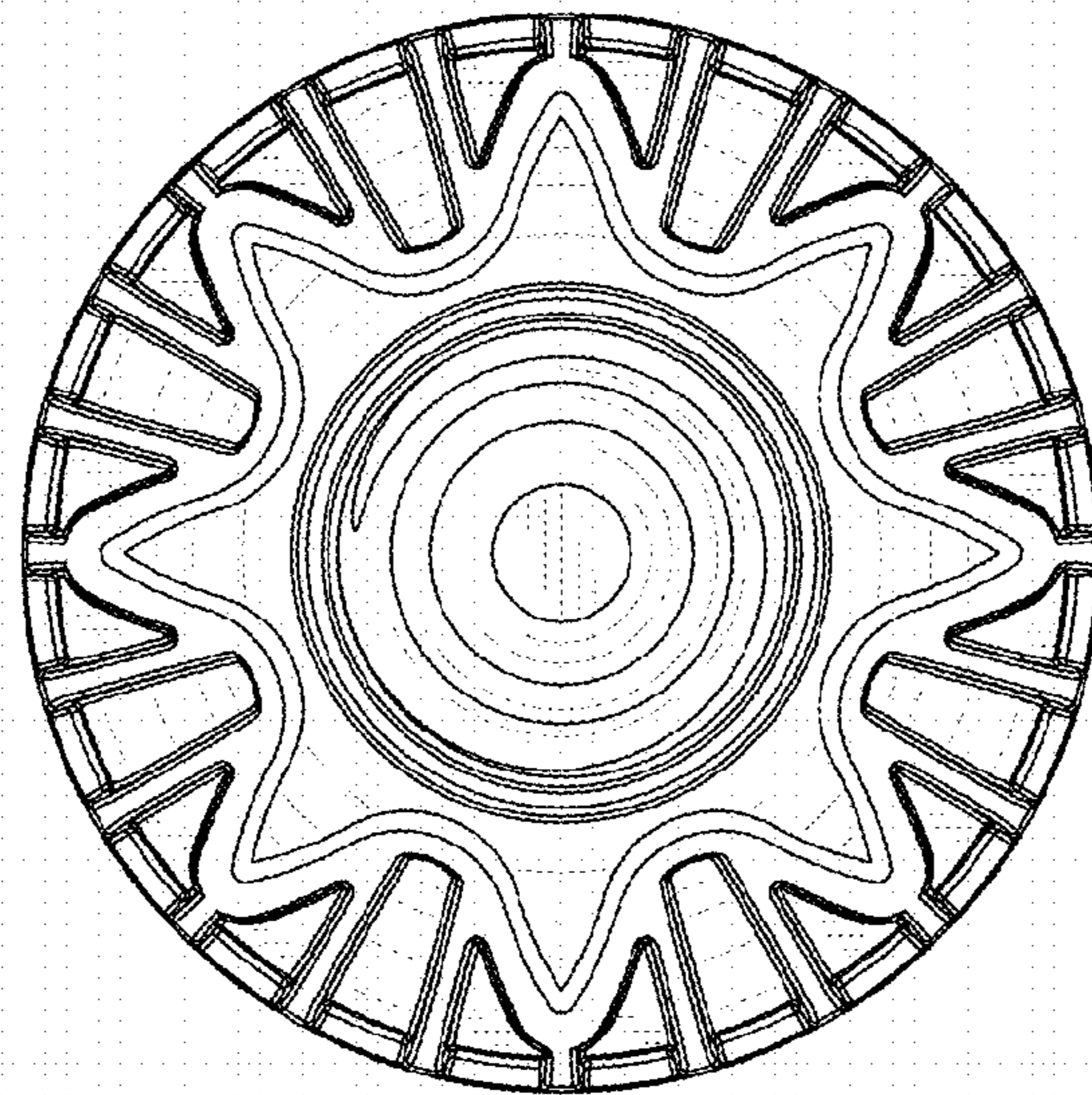


FIG. 14

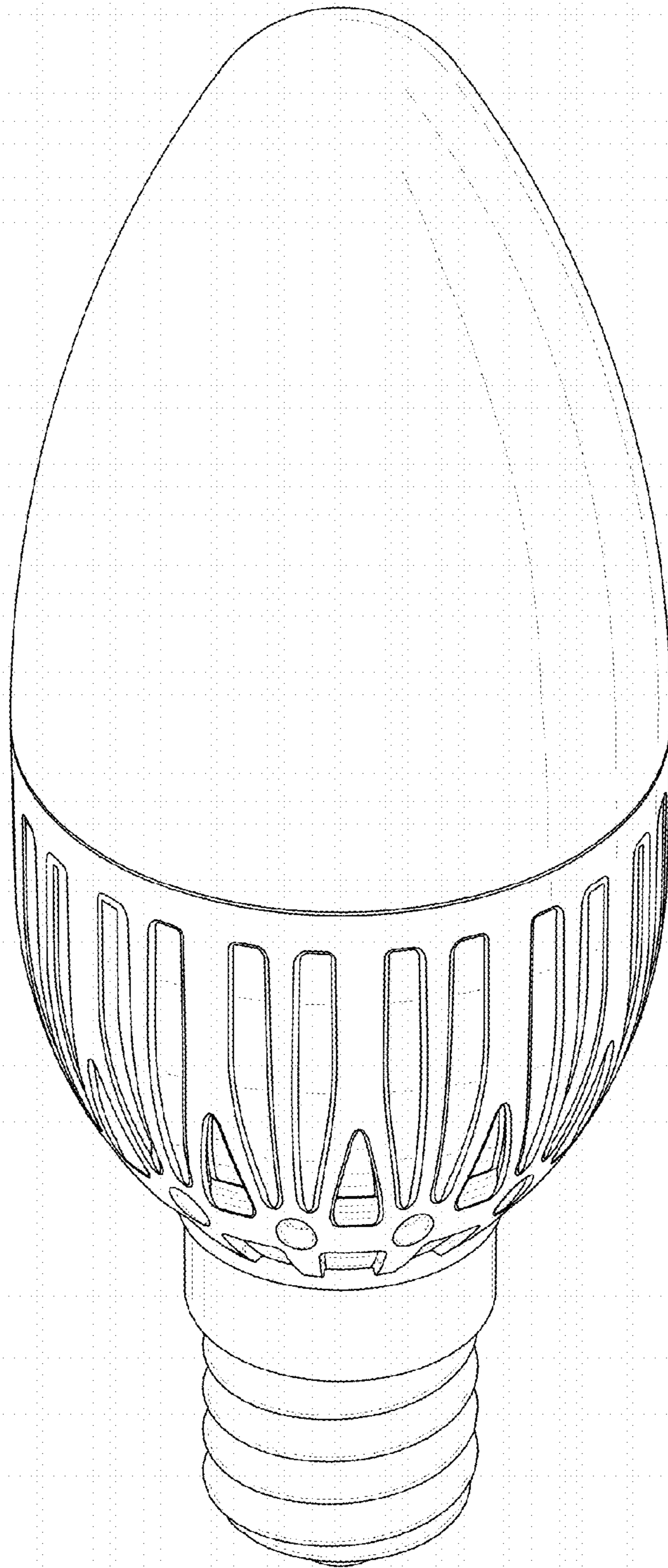


FIG. 15

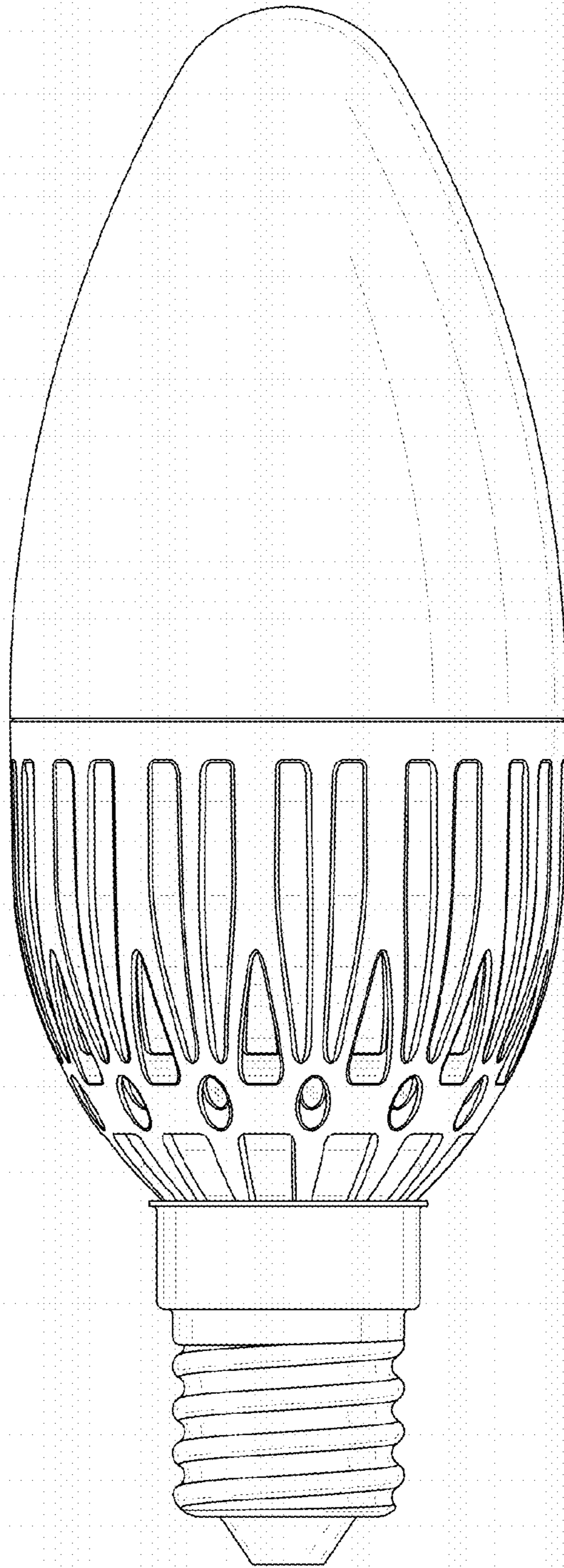


FIG. 16

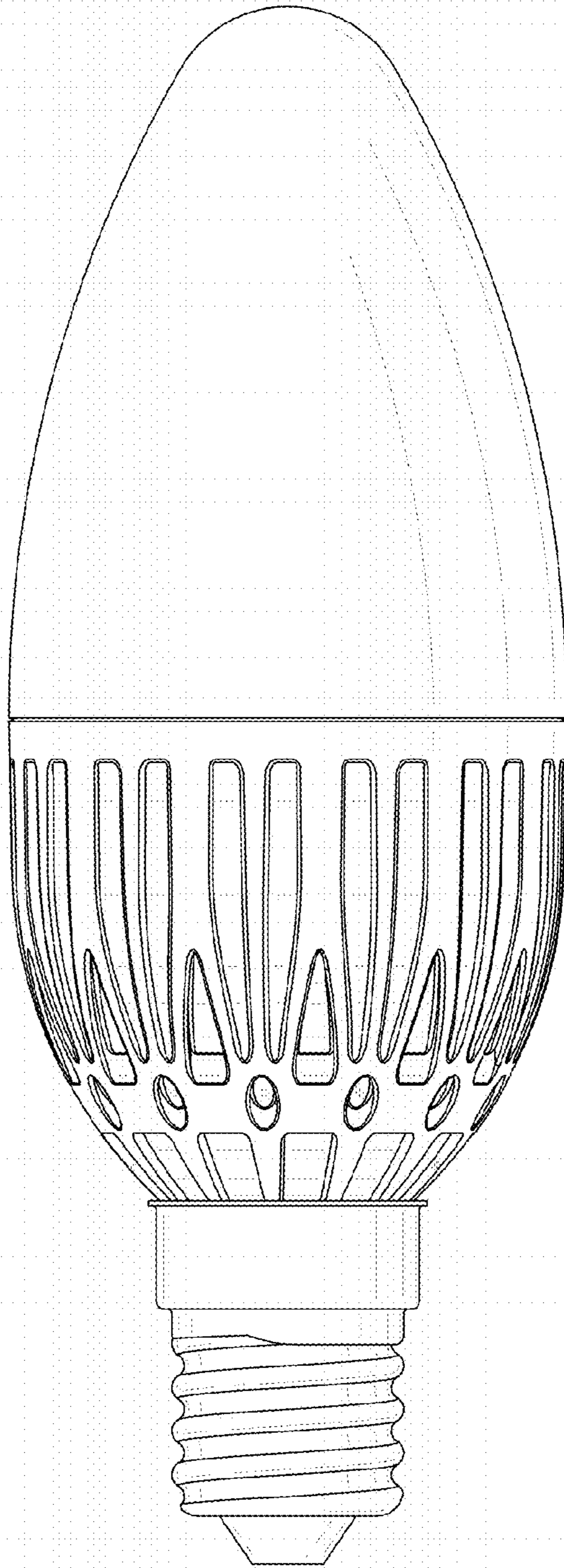


FIG. 17

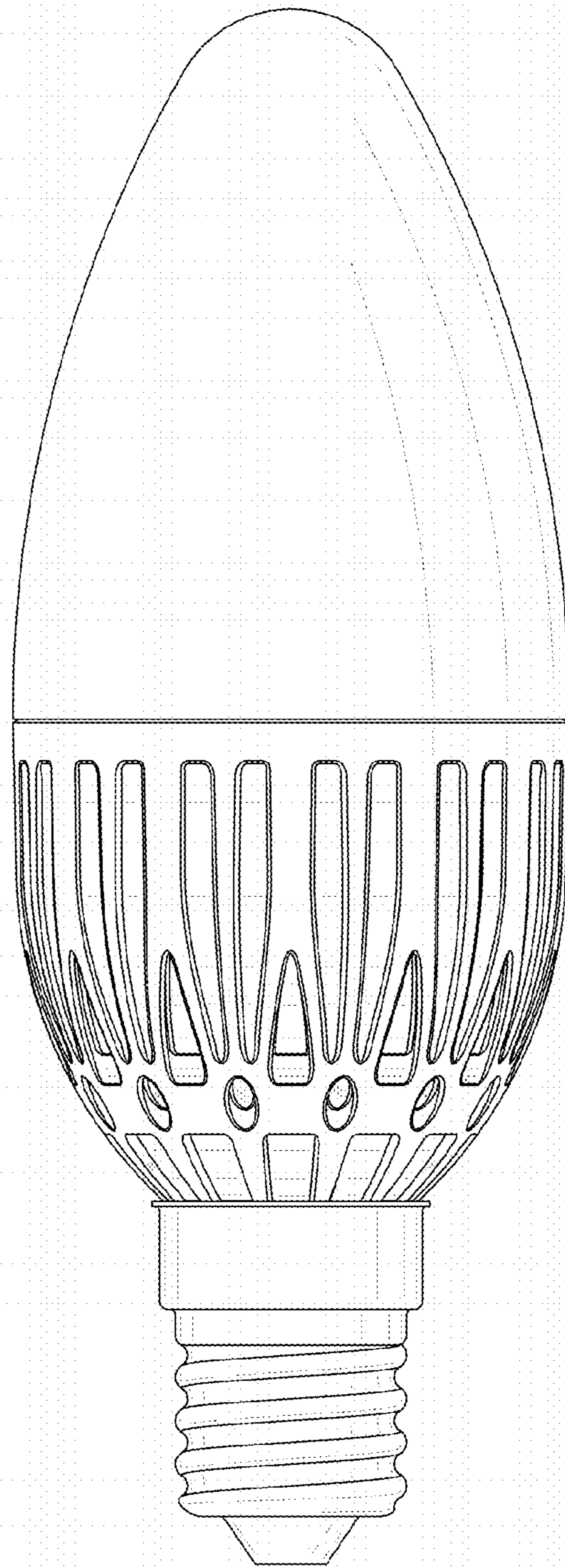


FIG. 18

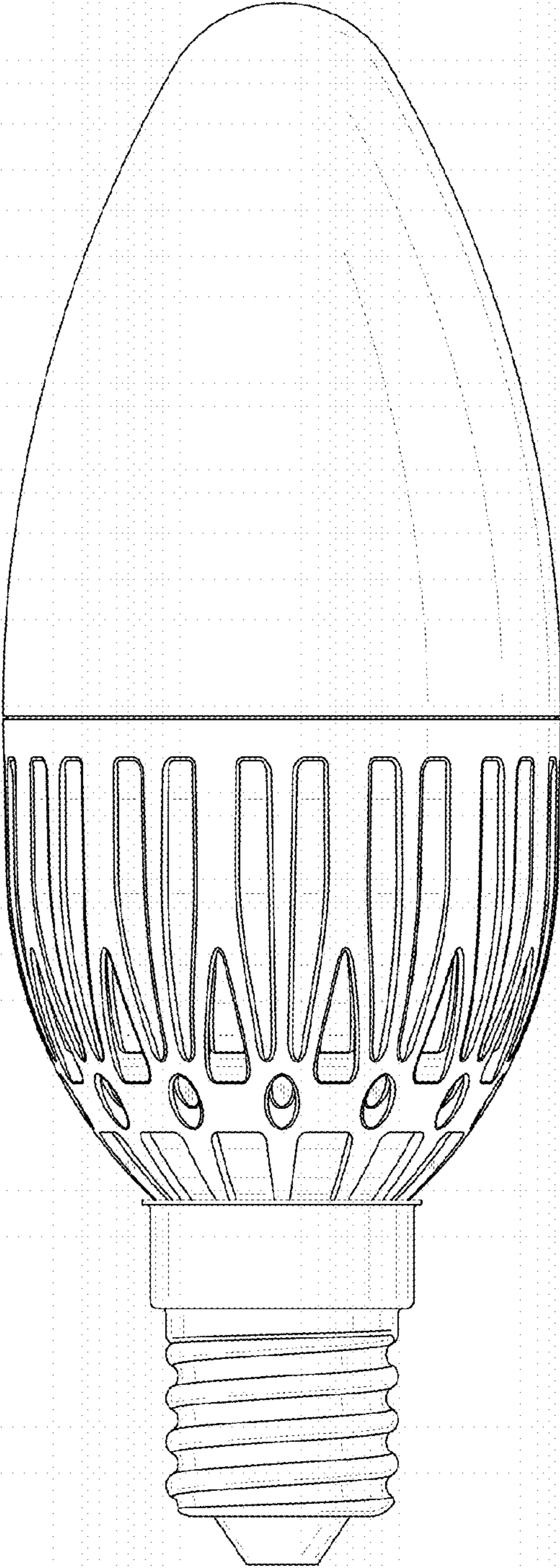


FIG. 19

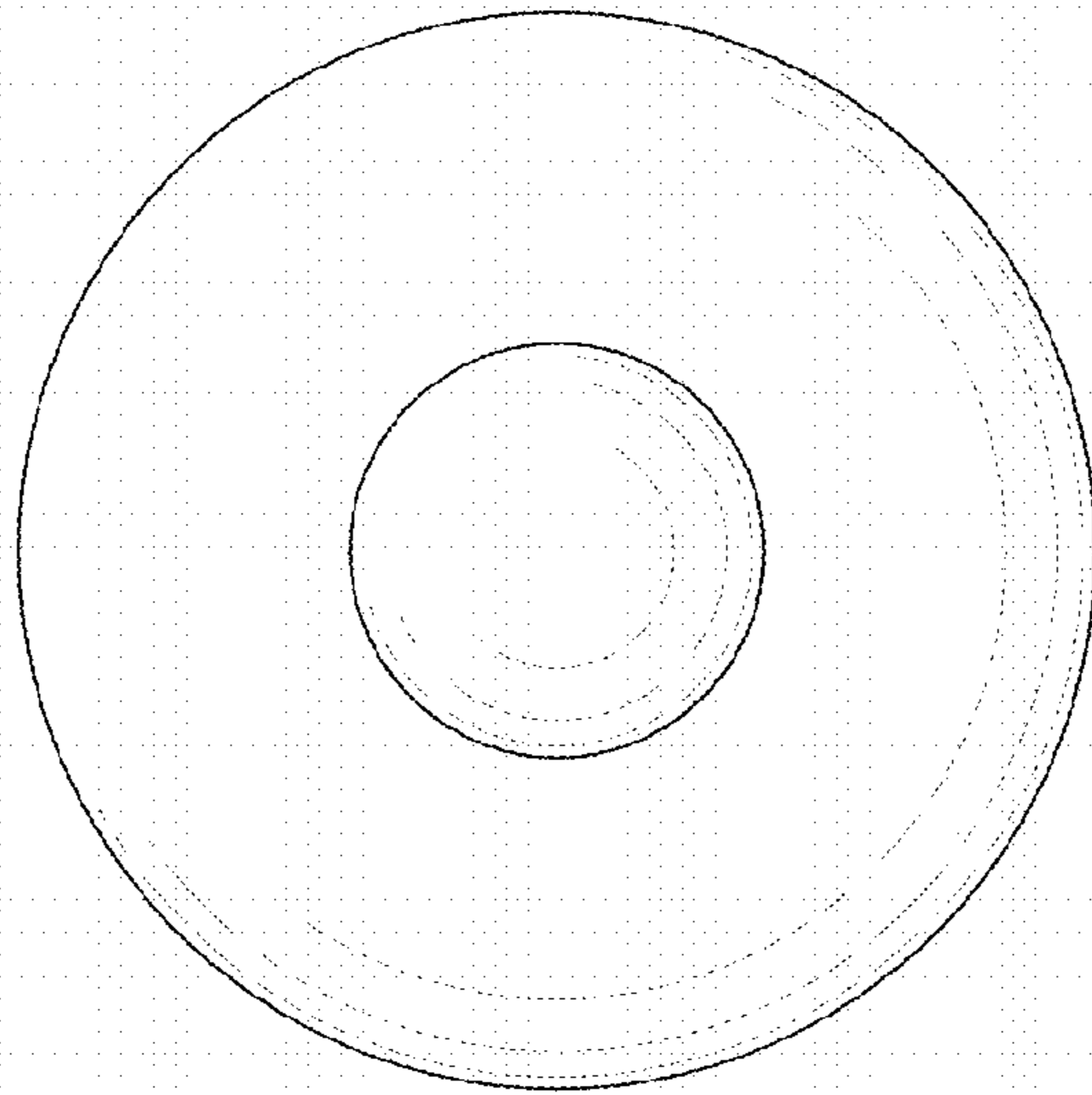


FIG. 20

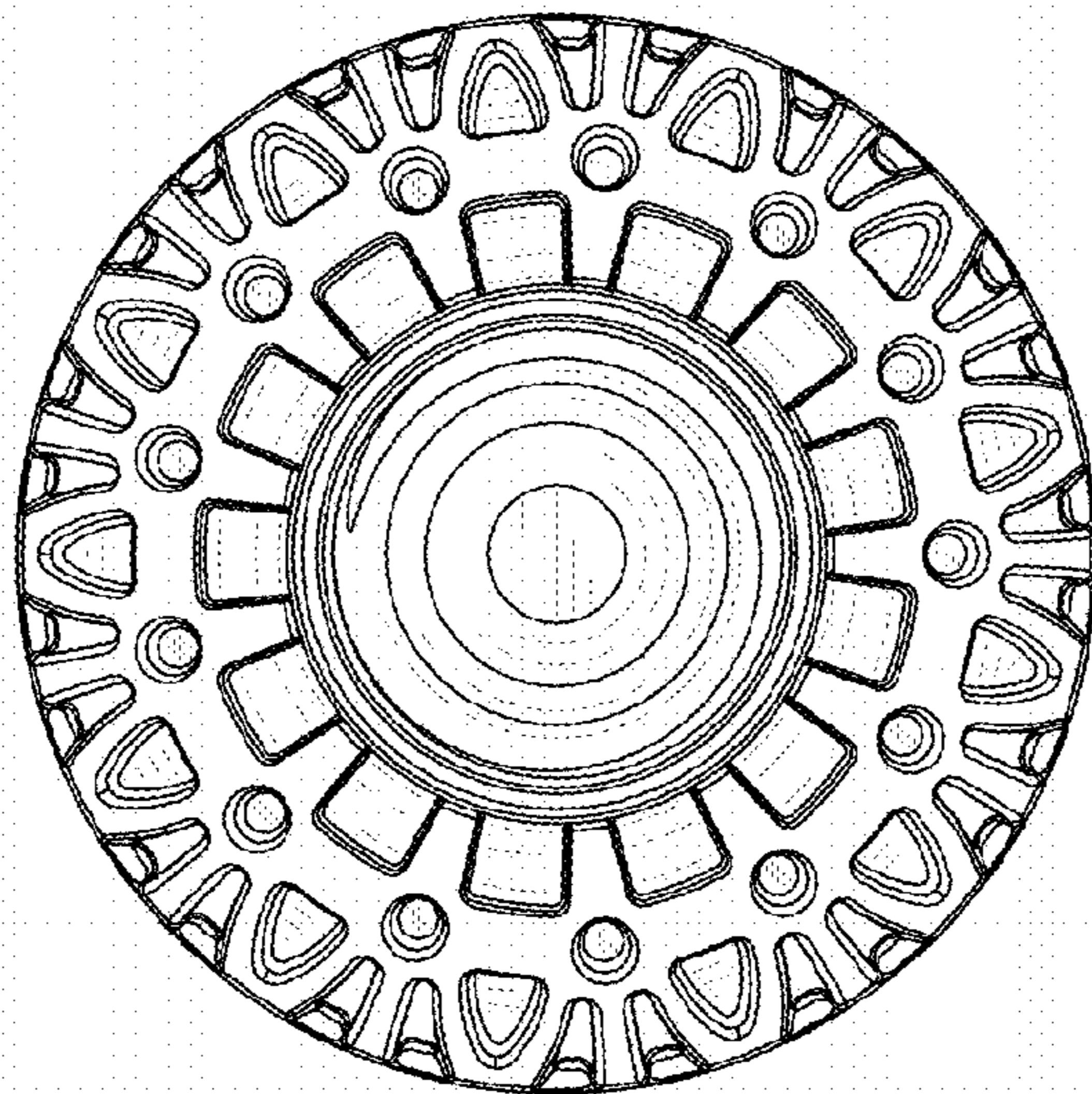


FIG. 21