



US00D695427S

(12) **United States Design Patent**
Ke

(10) **Patent No.:** **US D695,427 S**

(45) **Date of Patent:** **** Dec. 10, 2013**

(54) **LIGHT EMITTING DIODE LAMP**

Primary Examiner — Marcus Jackson

(75) **Inventor:** **Yu-Chuan Ke**, New Taipei (TW)

(74) *Attorney, Agent, or Firm* — Jianq Chyun IP Office

(73) **Assignees:** **Cal-Comp Electronics & Communications Company Limited**, New Taipei (TW); **Kinpo Electronics, Inc.**, New Taipei (TW)

(57) **CLAIM**

The ornamental design for a light emitting diode lamp, as shown and described.

(**) **Term:** **14 Years**

(21) **Appl. No.:** **29/422,916**

DESCRIPTION

(22) **Filed:** **May 25, 2012**

(30) **Foreign Application Priority Data**

Dec. 2, 2011 (EP) 001304703

(51) **LOC (9) Cl.** **26-04**

(52) **U.S. Cl.**
USPC **D26/2**

(58) **Field of Classification Search**
USPC D26/1-4; 313/313, 315, 316, 317, 318,
313/493; 315/52, 53, 56, 57, 58
See application file for complete search history.

(56) **References Cited**

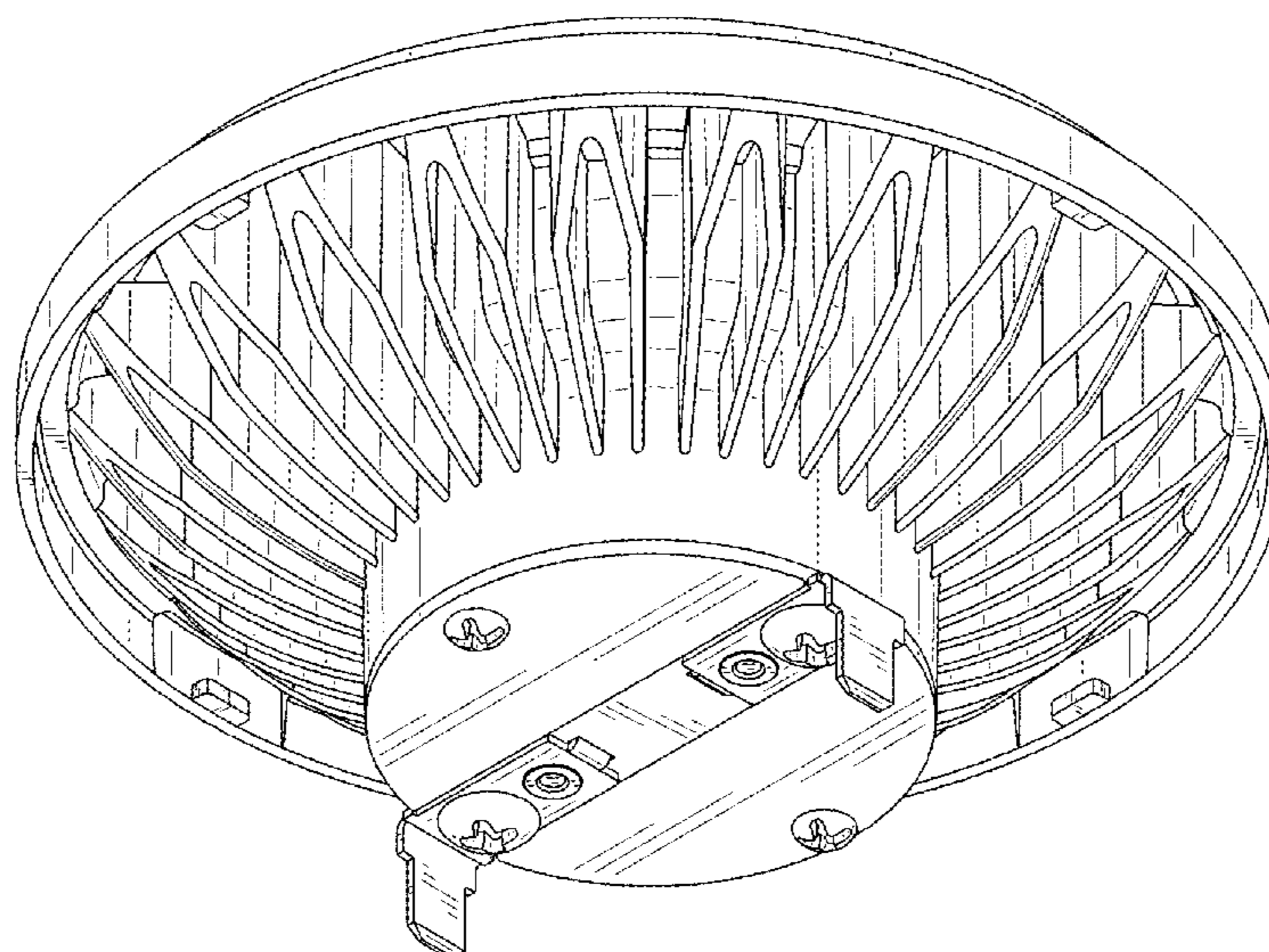
U.S. PATENT DOCUMENTS

D542,943 S *	5/2007	Wang	D26/2
D544,110 S *	6/2007	Hooker et al.	D26/2
D546,980 S *	7/2007	Lo	D26/2
D547,886 S *	7/2007	Foo	D26/2
D549,854 S *	8/2007	Takahashi	D26/2
D566,300 S *	4/2008	Lo	D26/2
D582,579 S *	12/2008	Tsai et al.	D26/2
D587,383 S *	2/2009	Wei	D26/2
D667,571 S *	9/2012	Zhang	D26/2

FIG. 1 is a perspective view of a lighting emitting diode lamp showing a first embodiment of our new design;
FIG. 2 is a front view thereof;
FIG. 3 is a rear view thereof;
FIG. 4 is a left side view thereof;
FIG. 5 is a right side view thereof;
FIG. 6 is a top view thereof;
FIG. 7 is a bottom view thereof;
FIG. 8 is a perspective view of a lighting emitting diode lamp showing a second embodiment of our new design;
FIG. 9 is a front view thereof;
FIG. 10 is a rear view thereof;
FIG. 11 is a left side view thereof;
FIG. 12 is a right side view thereof;
FIG. 13 is a top view thereof;
FIG. 14 is a bottom view thereof;
FIG. 15 is a perspective view of a lighting emitting diode lamp showing a third embodiment of our new design;
FIG. 16 is a front view thereof;
FIG. 17 is a rear view thereof;
FIG. 18 is a left side view thereof;
FIG. 19 is a right side view thereof;
FIG. 20 is a top view thereof; and,
FIG. 21 is a bottom view thereof.

* cited by examiner

1 Claim, 21 Drawing Sheets



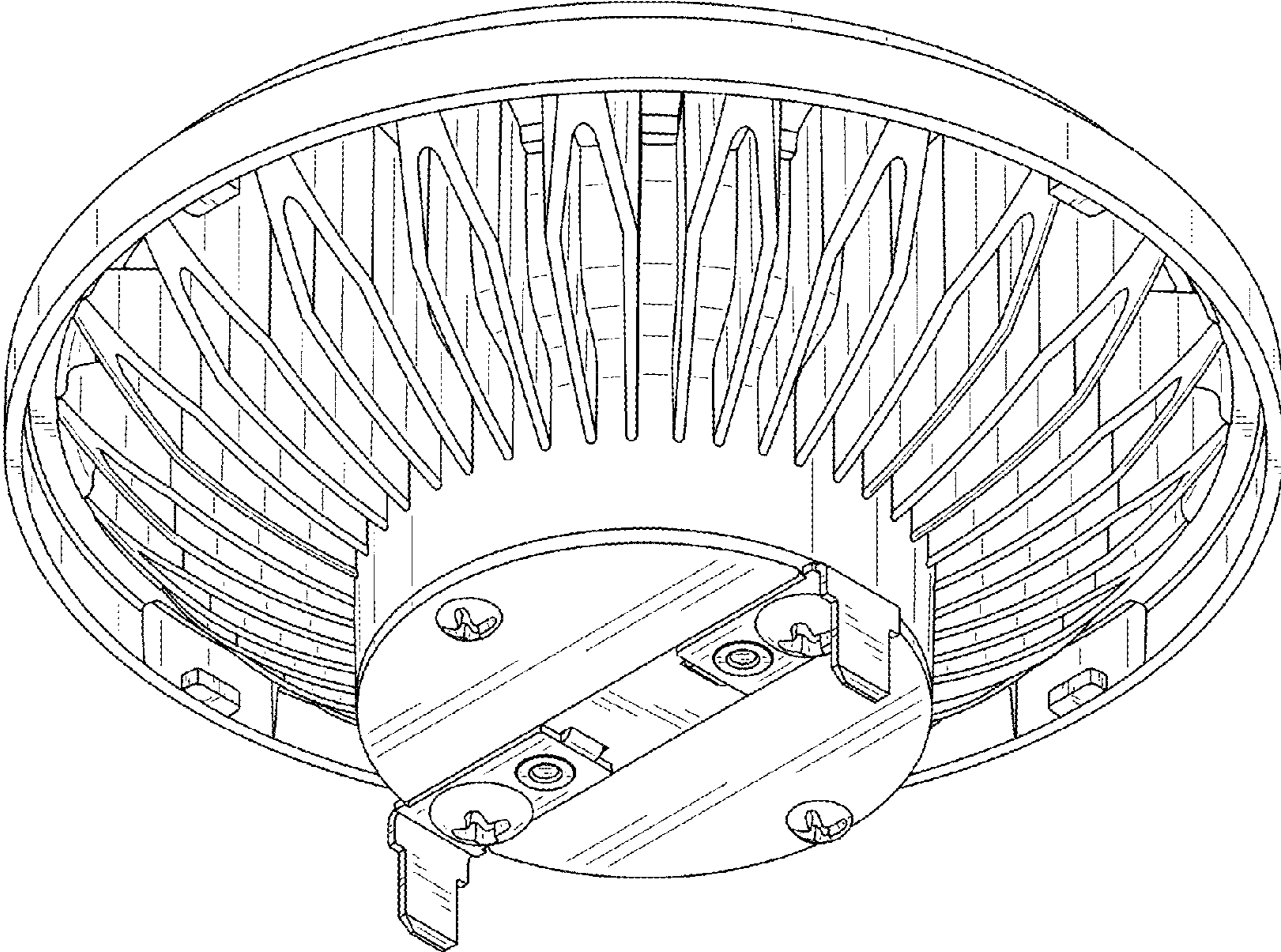


FIG. 1

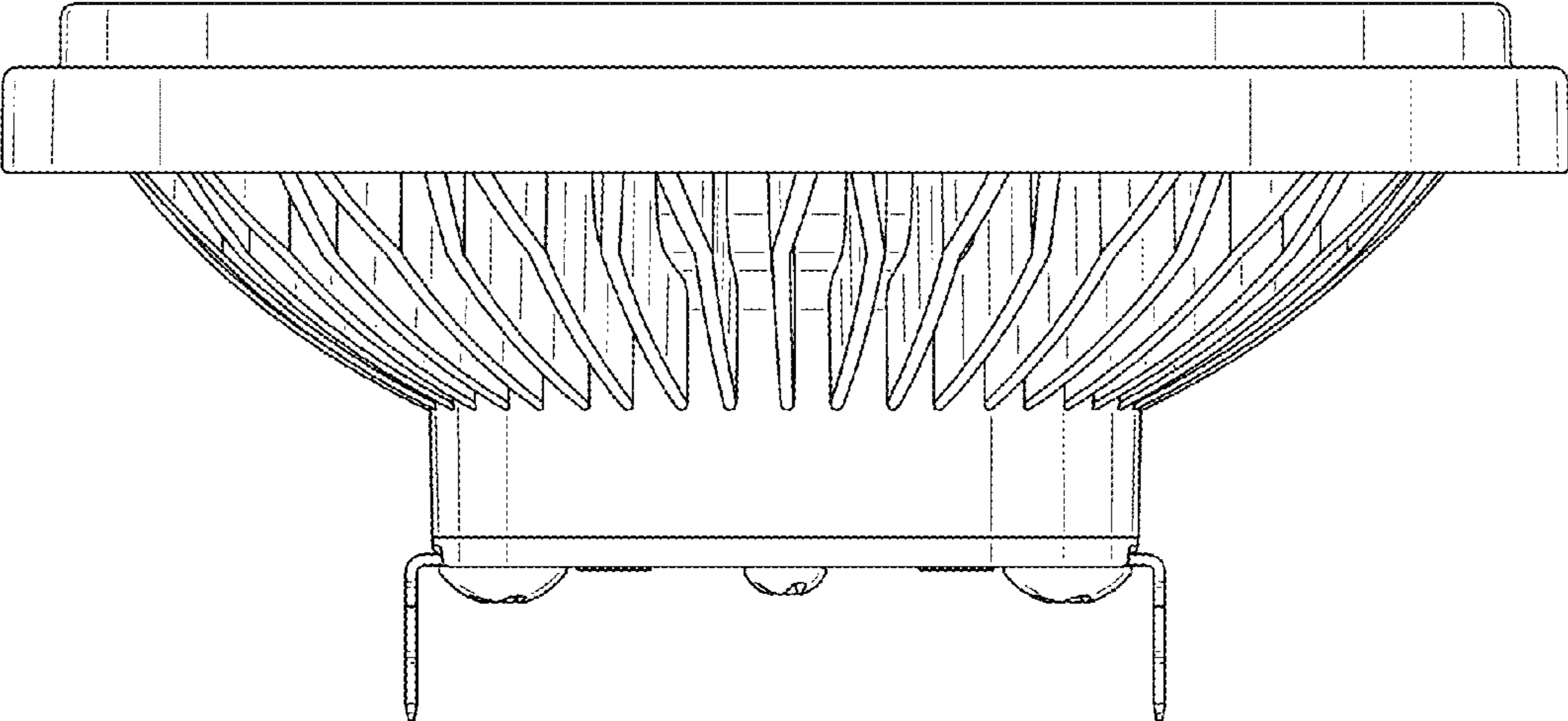


FIG. 2

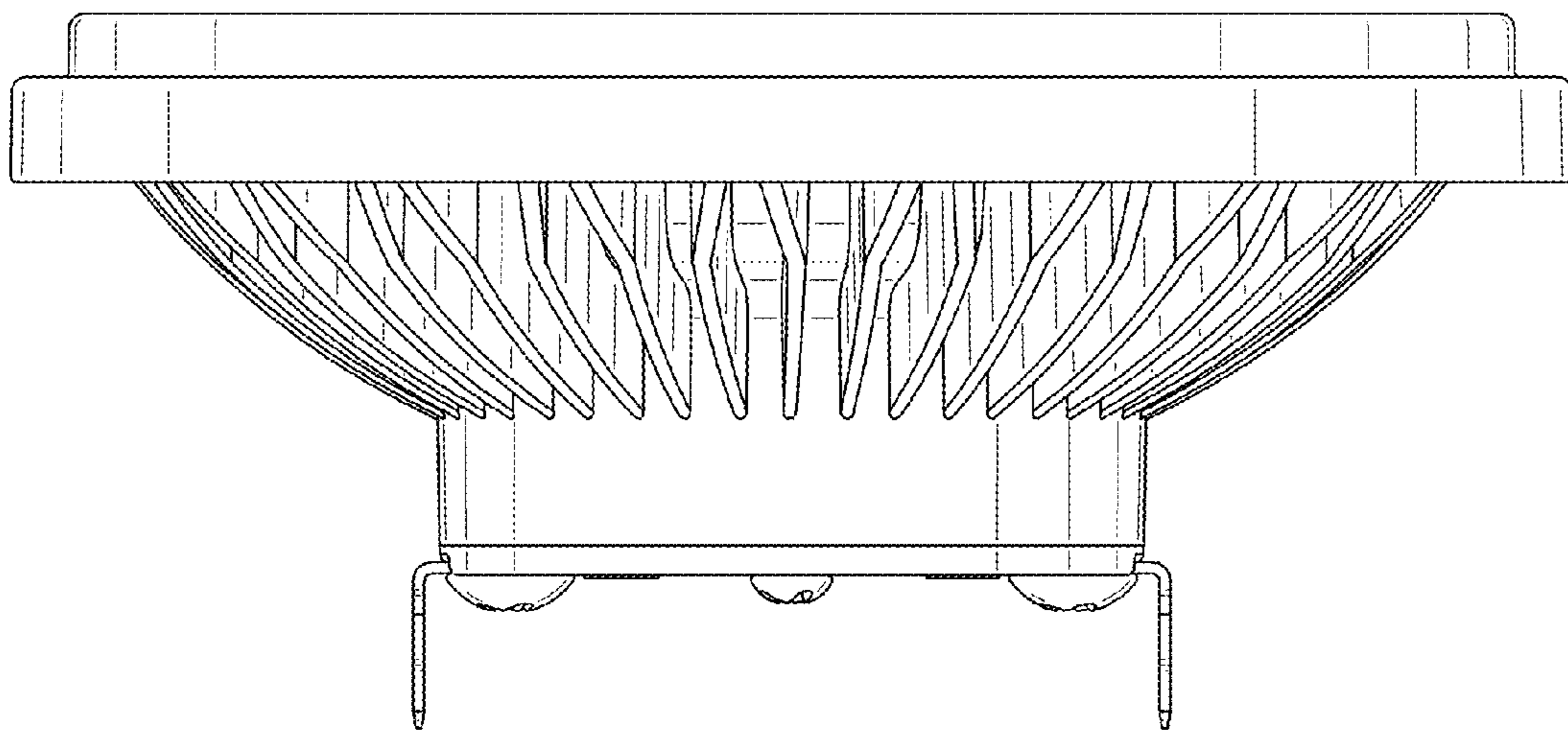


FIG. 3

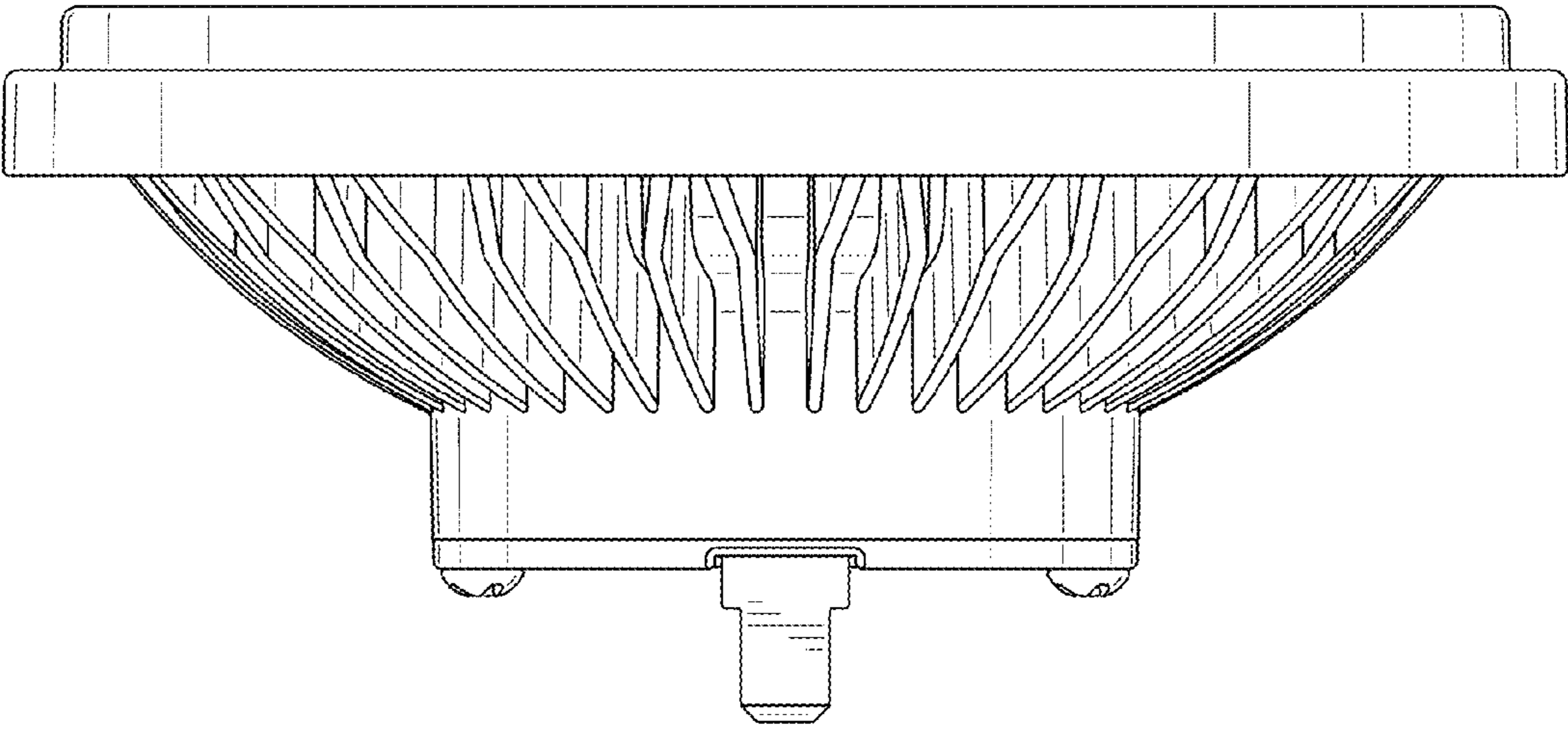


FIG. 4

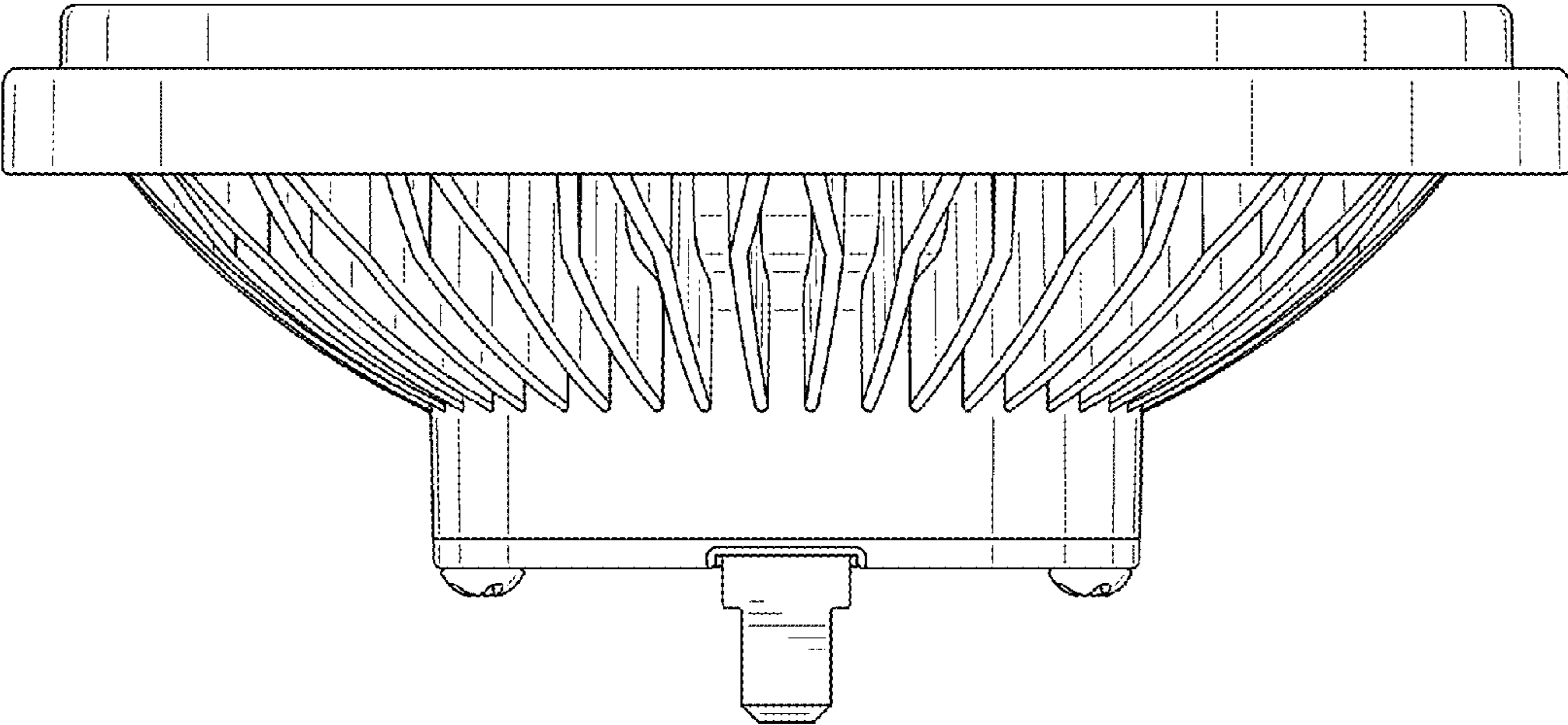


FIG. 5

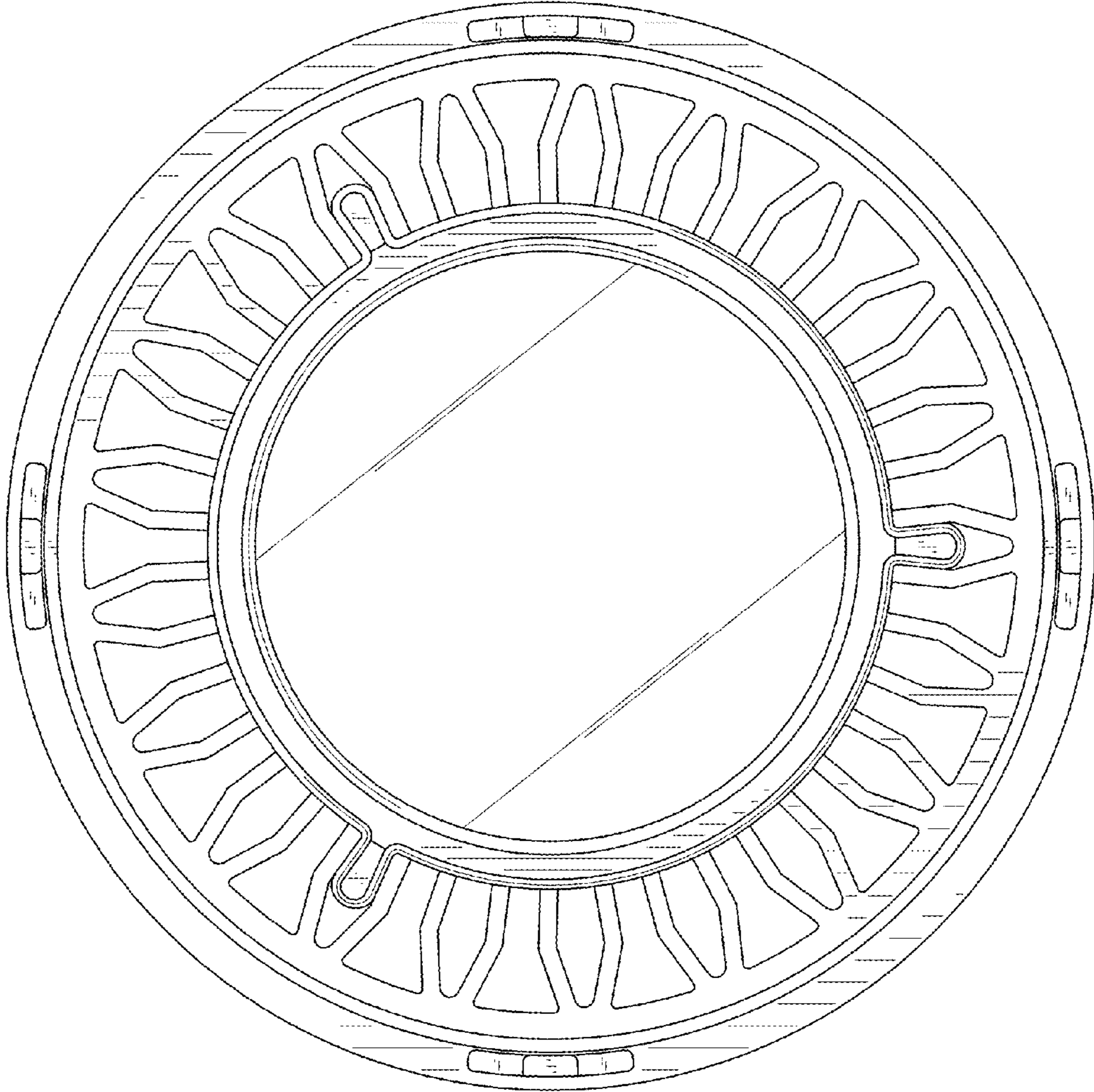


FIG. 6

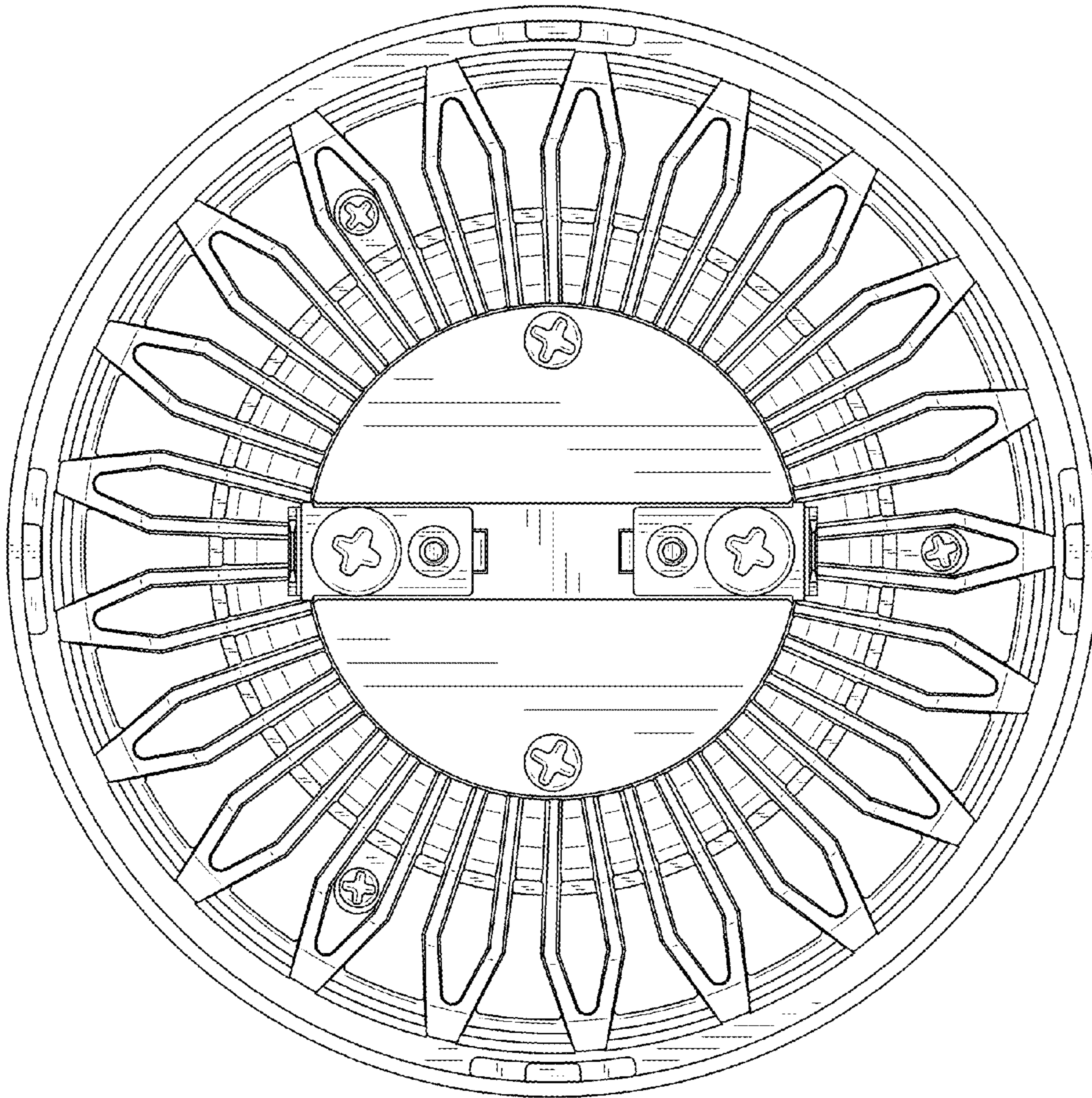


FIG. 7

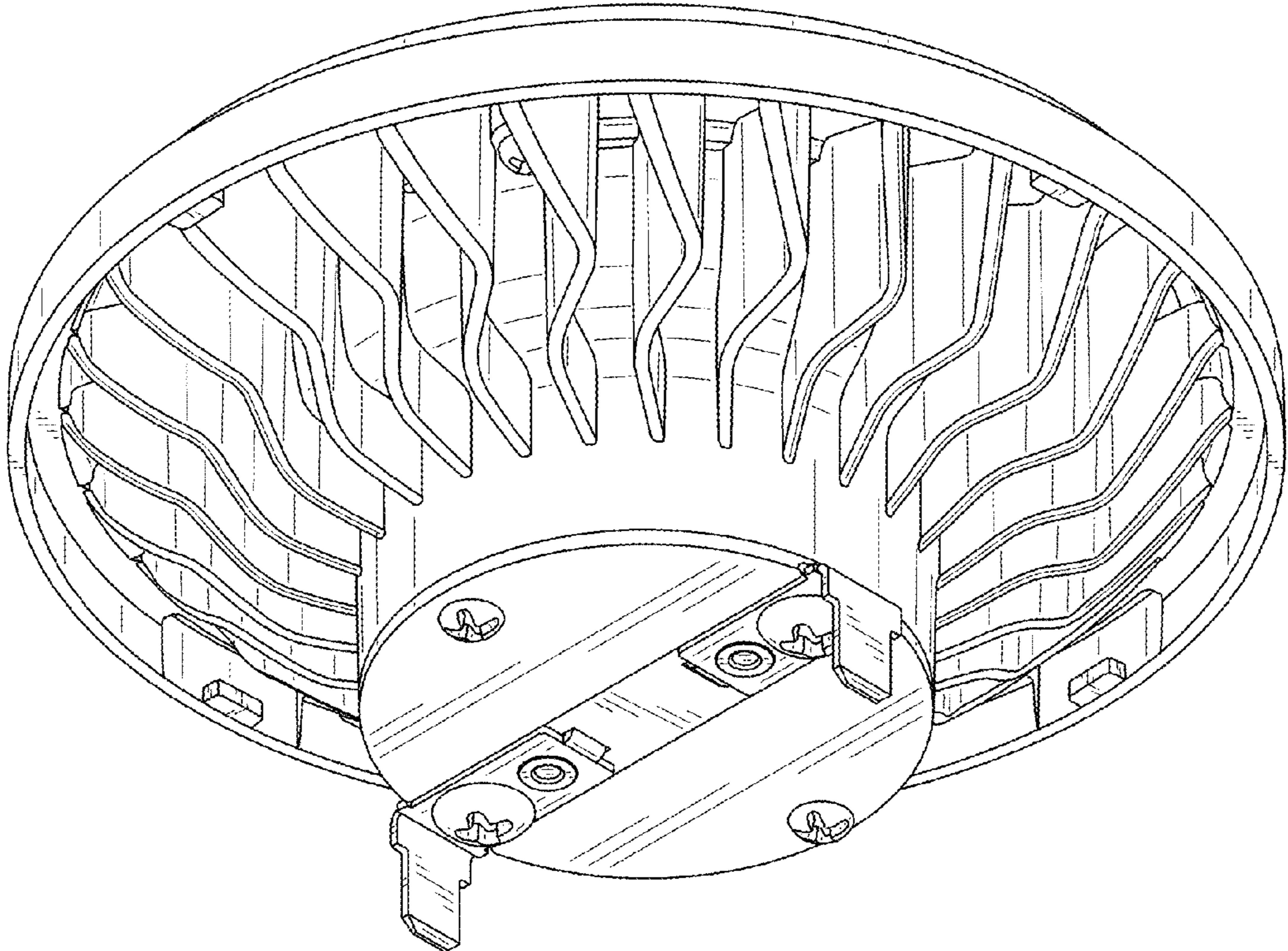


FIG. 8

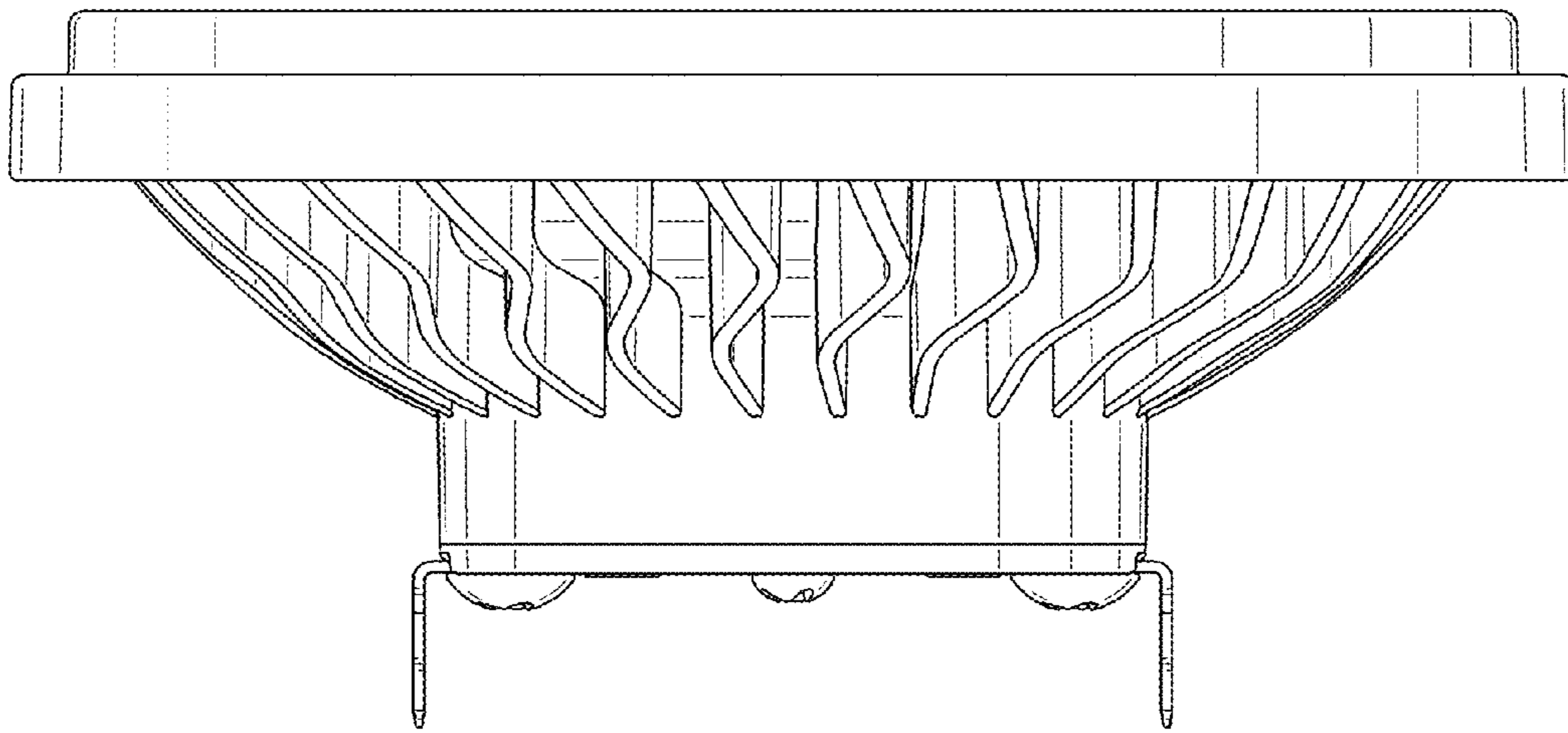


FIG. 9

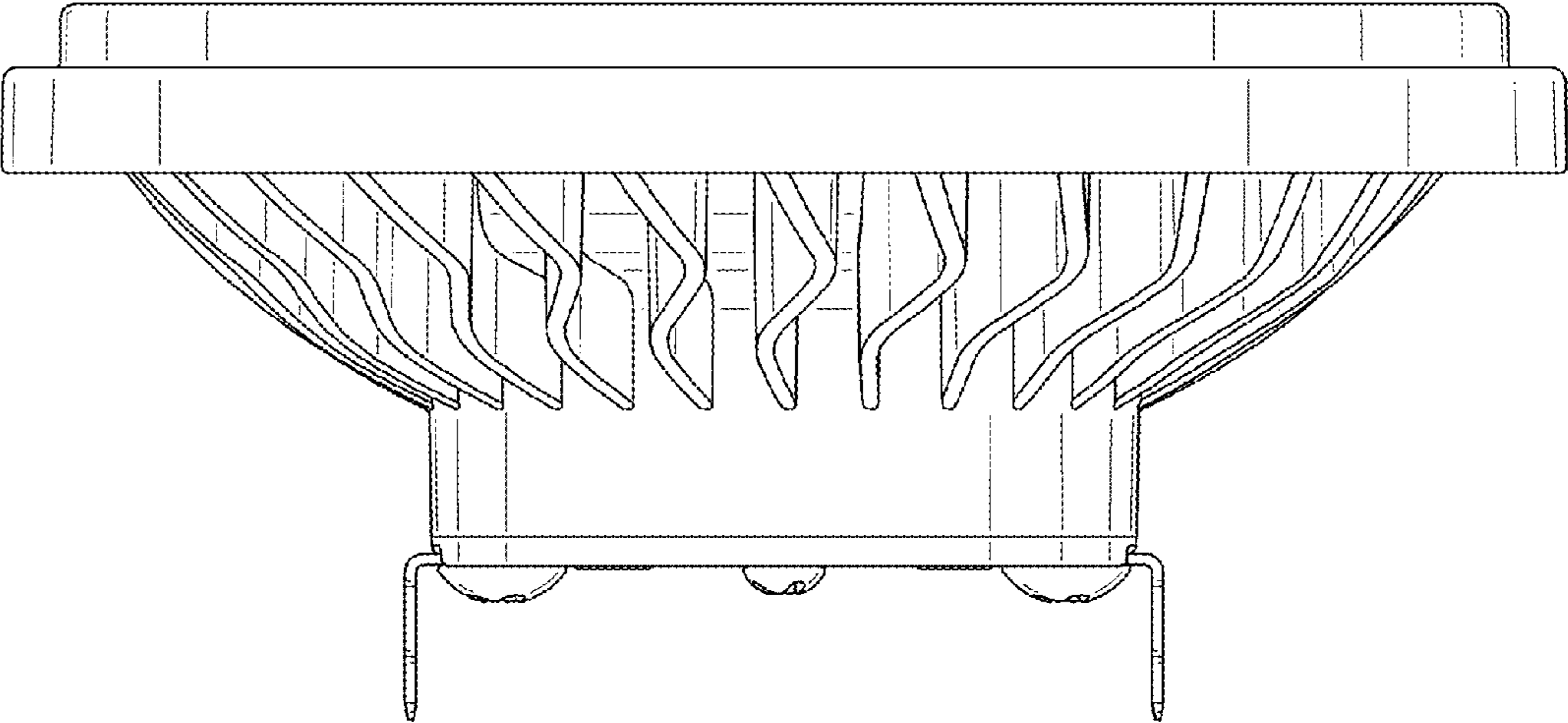


FIG. 10

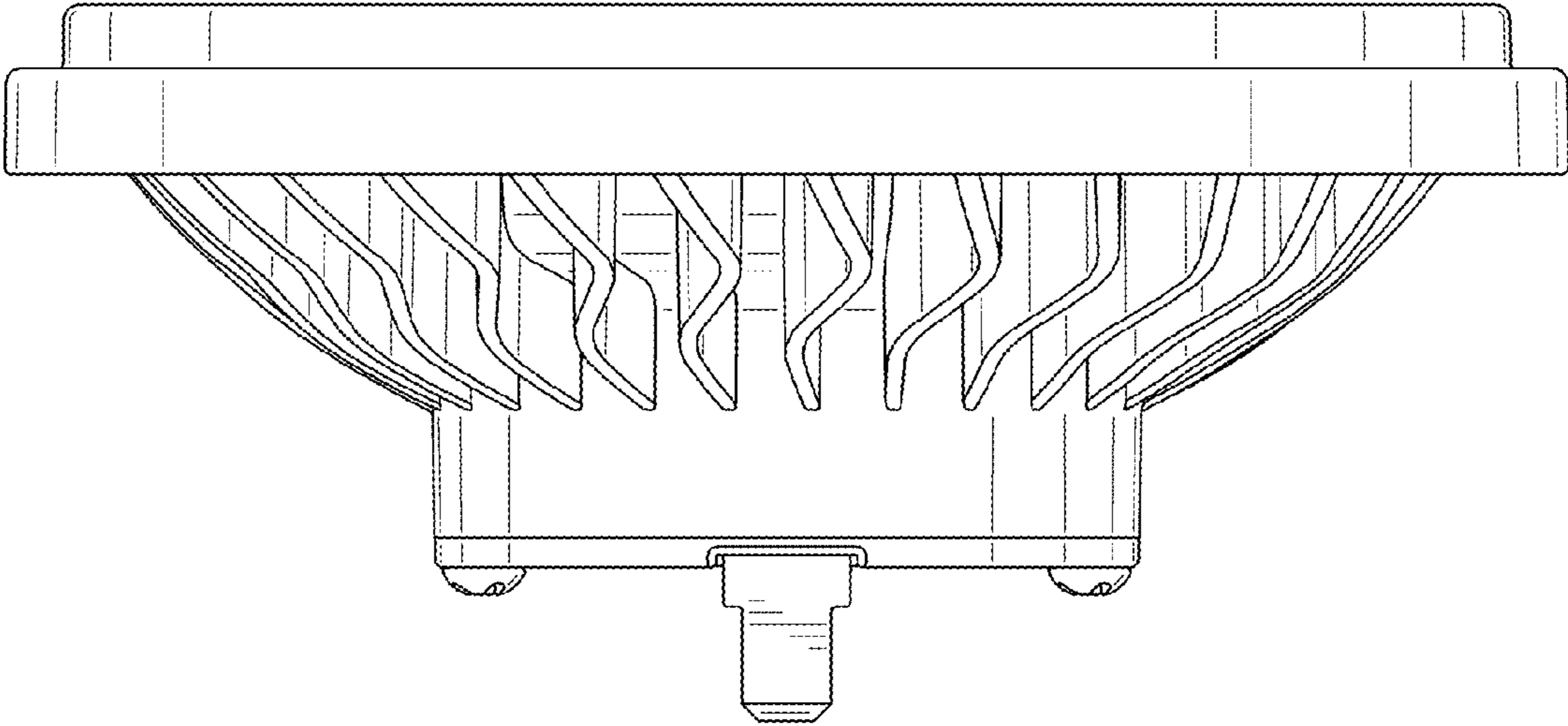


FIG. 11

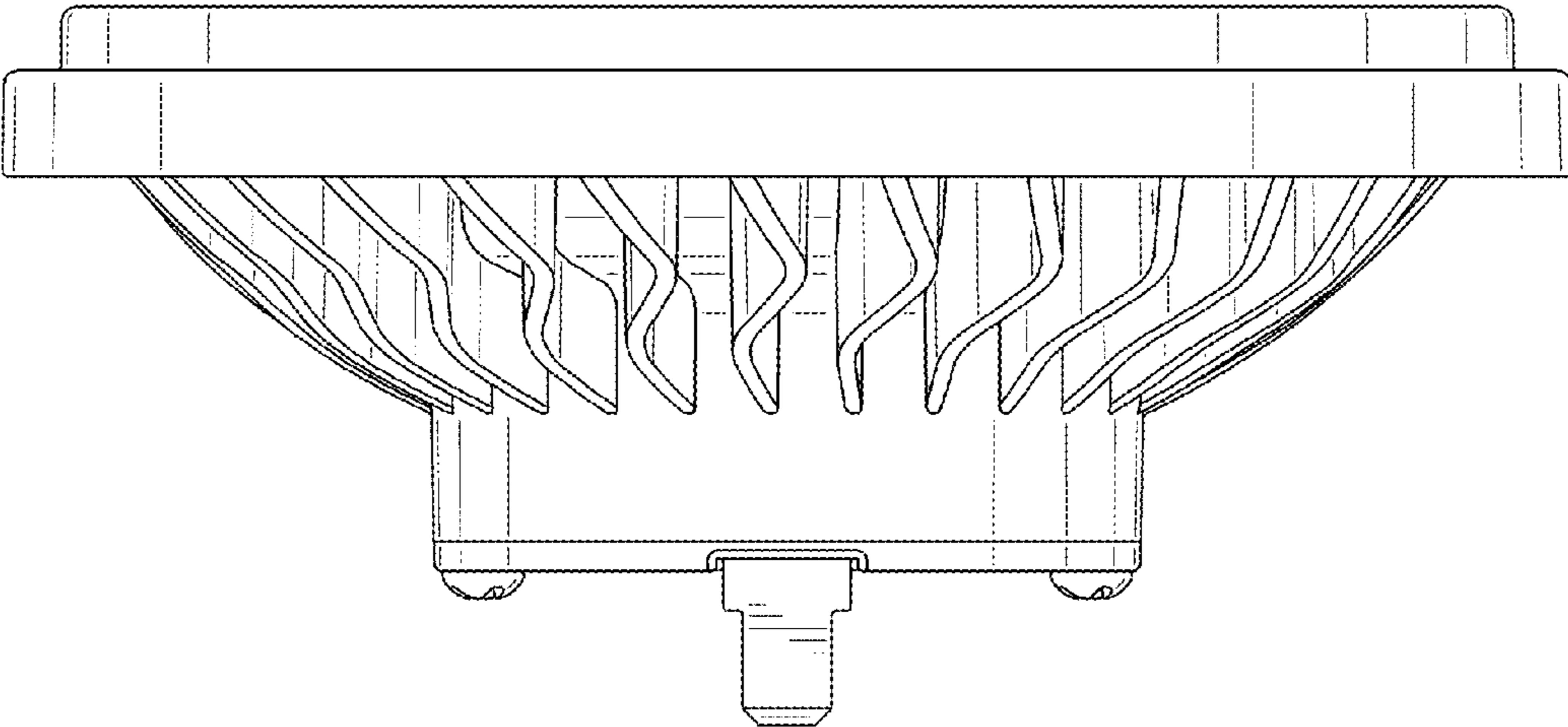


FIG. 12

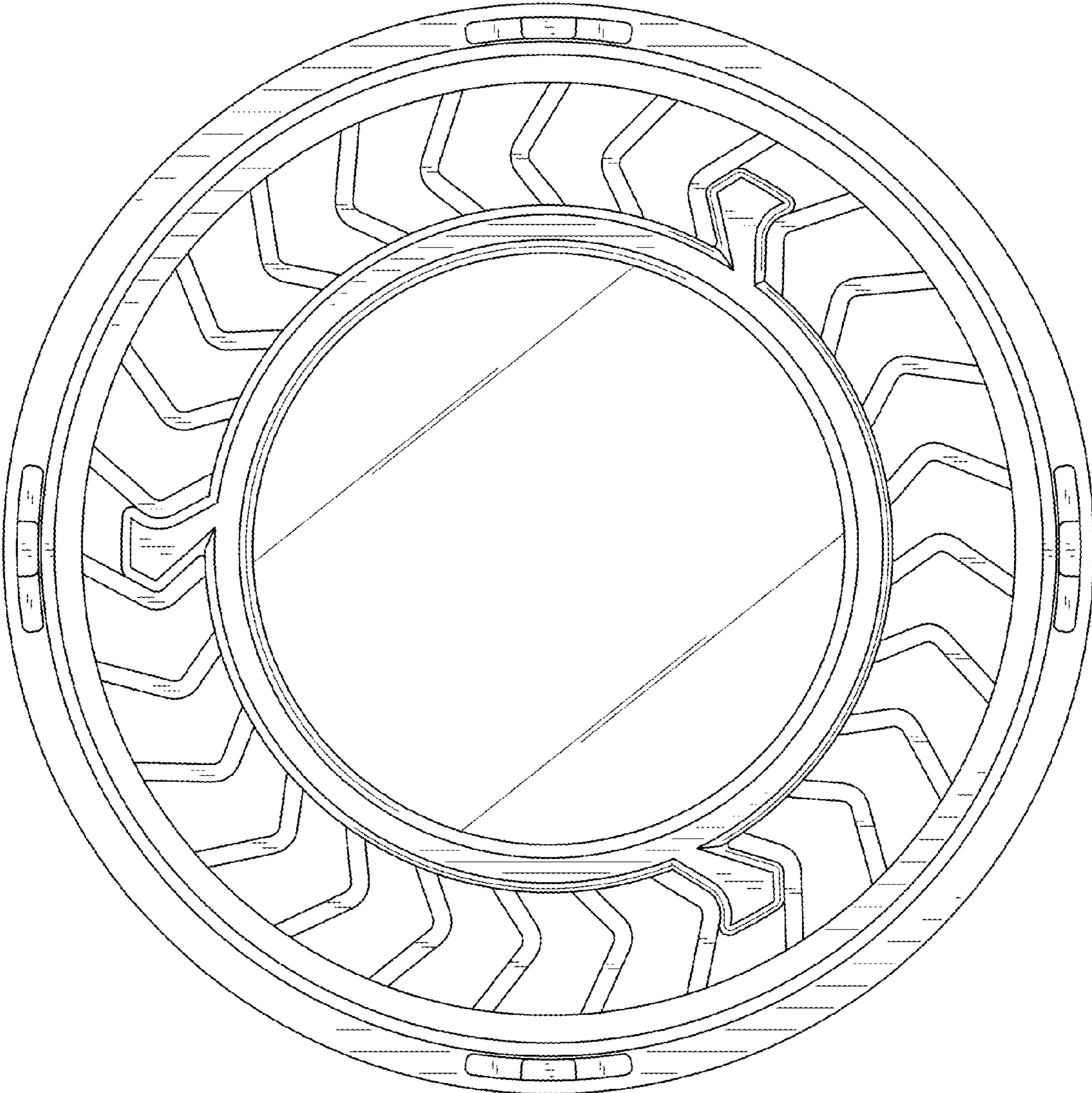


FIG. 13

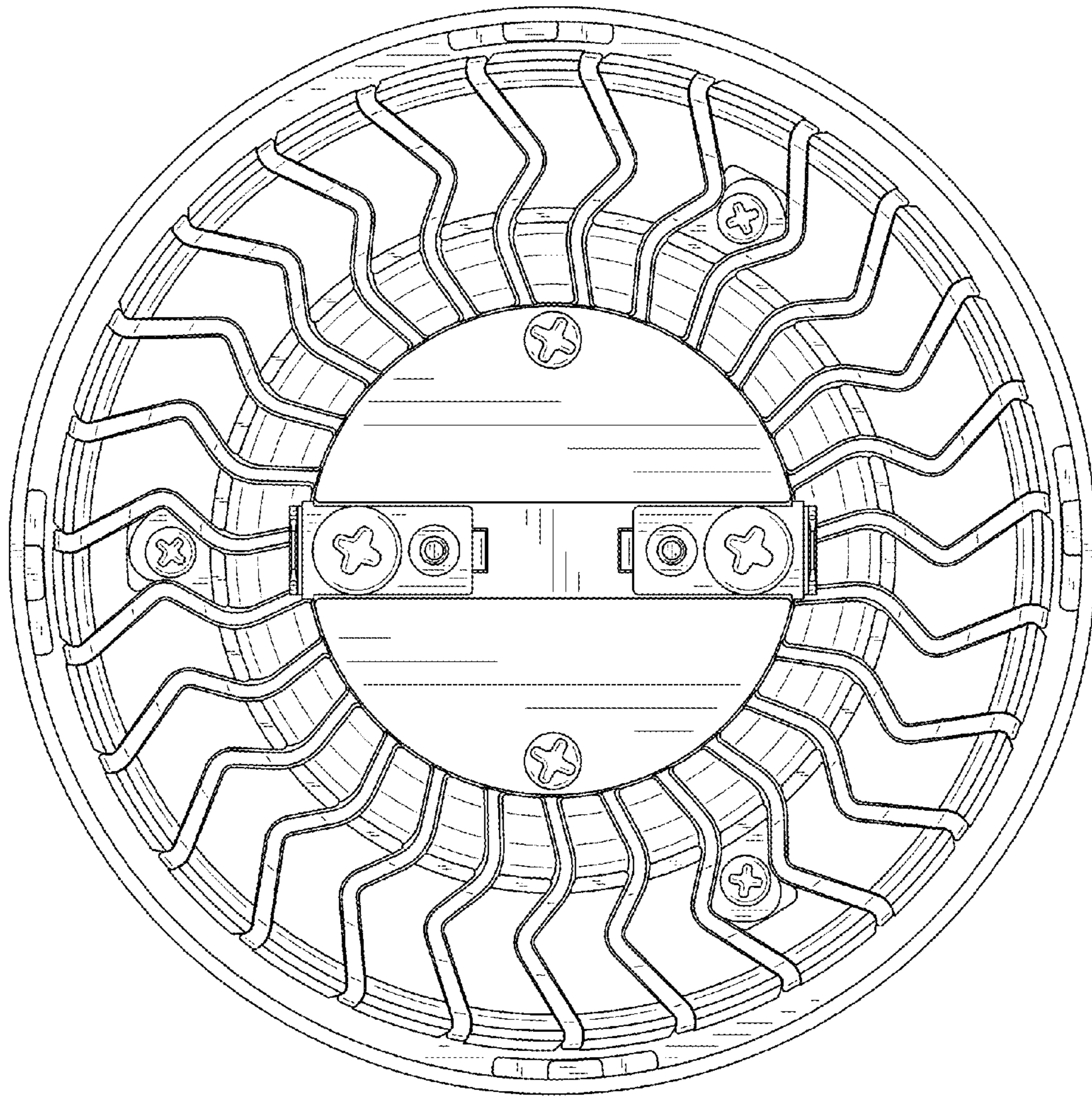


FIG. 14

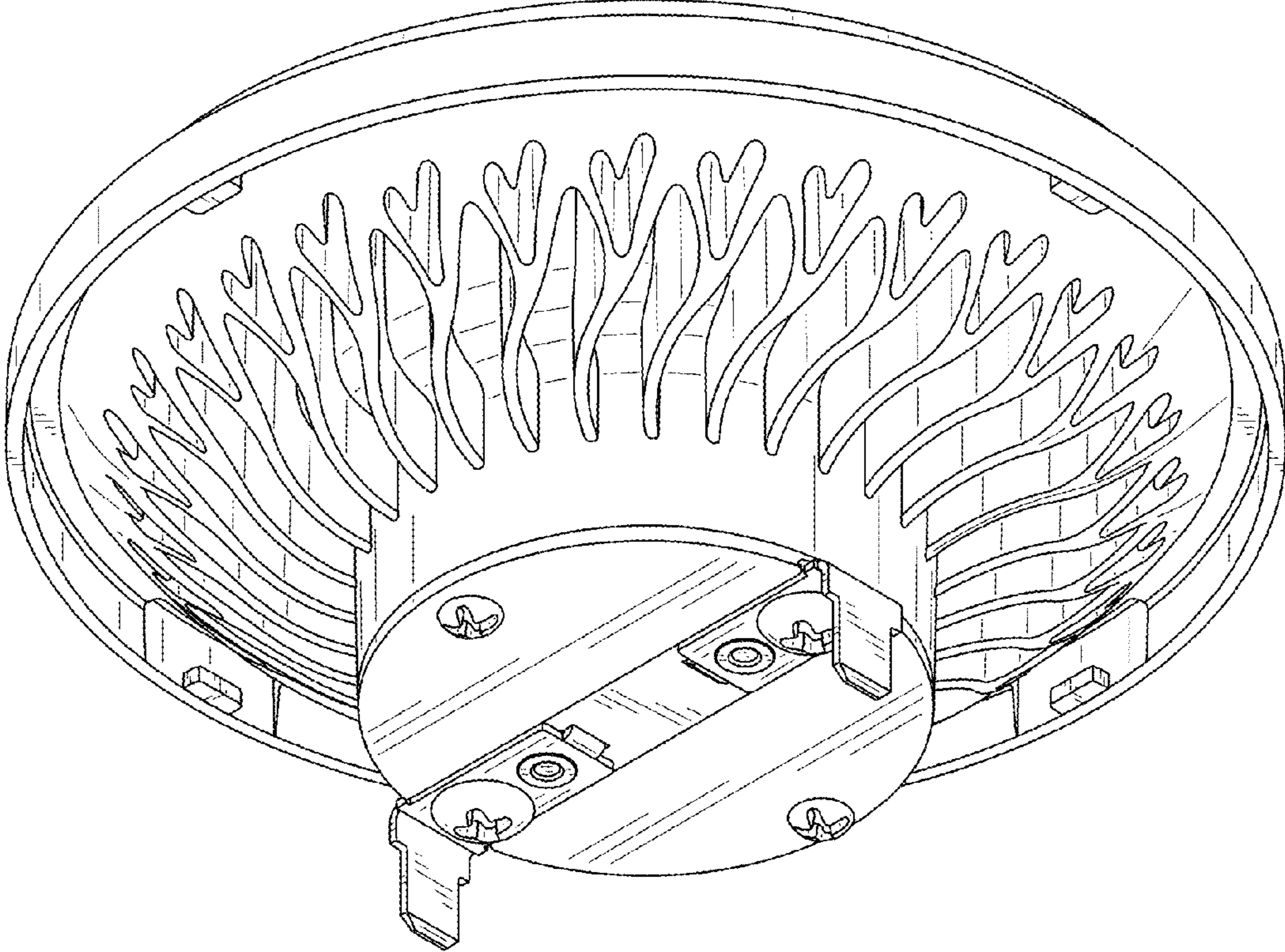


FIG. 15

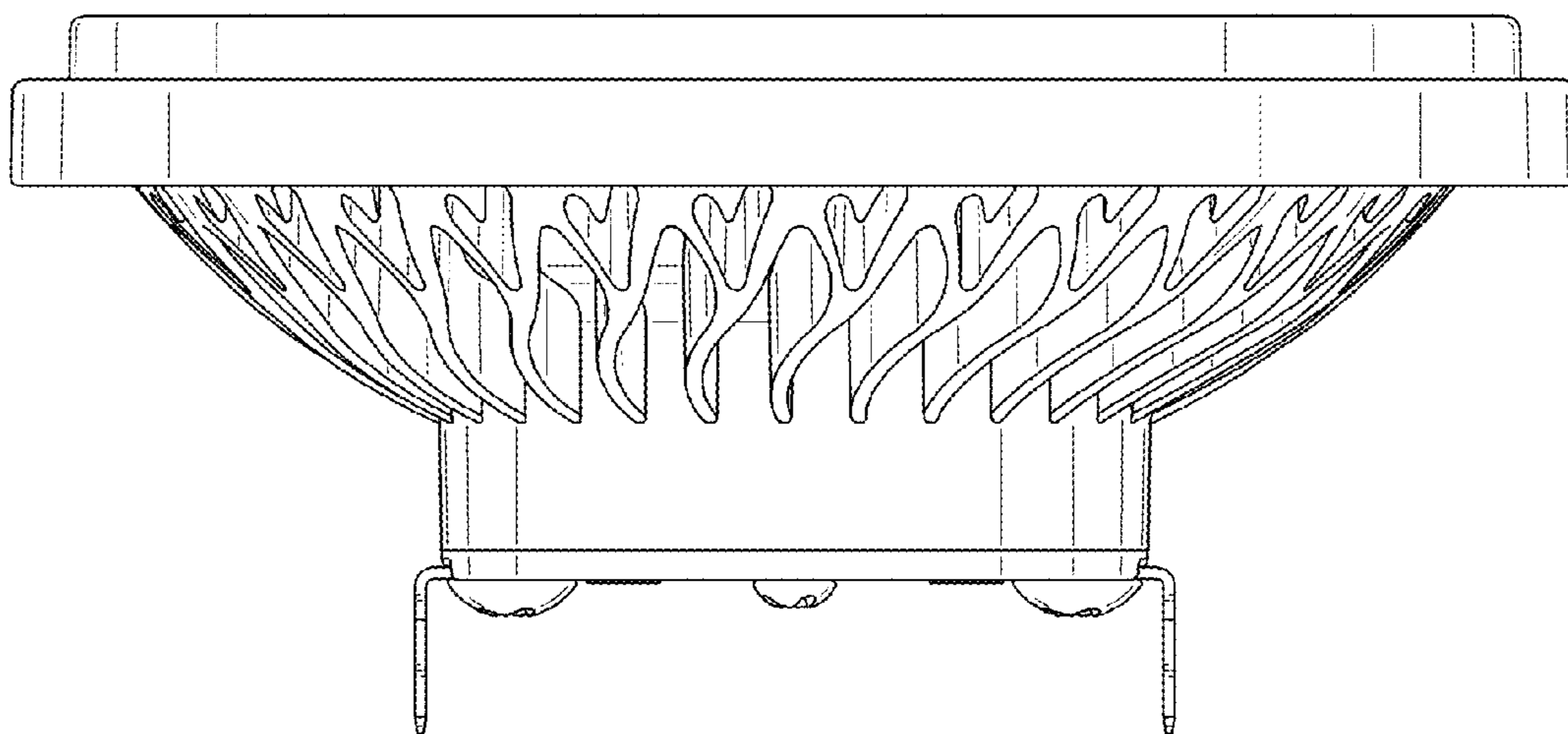


FIG. 16

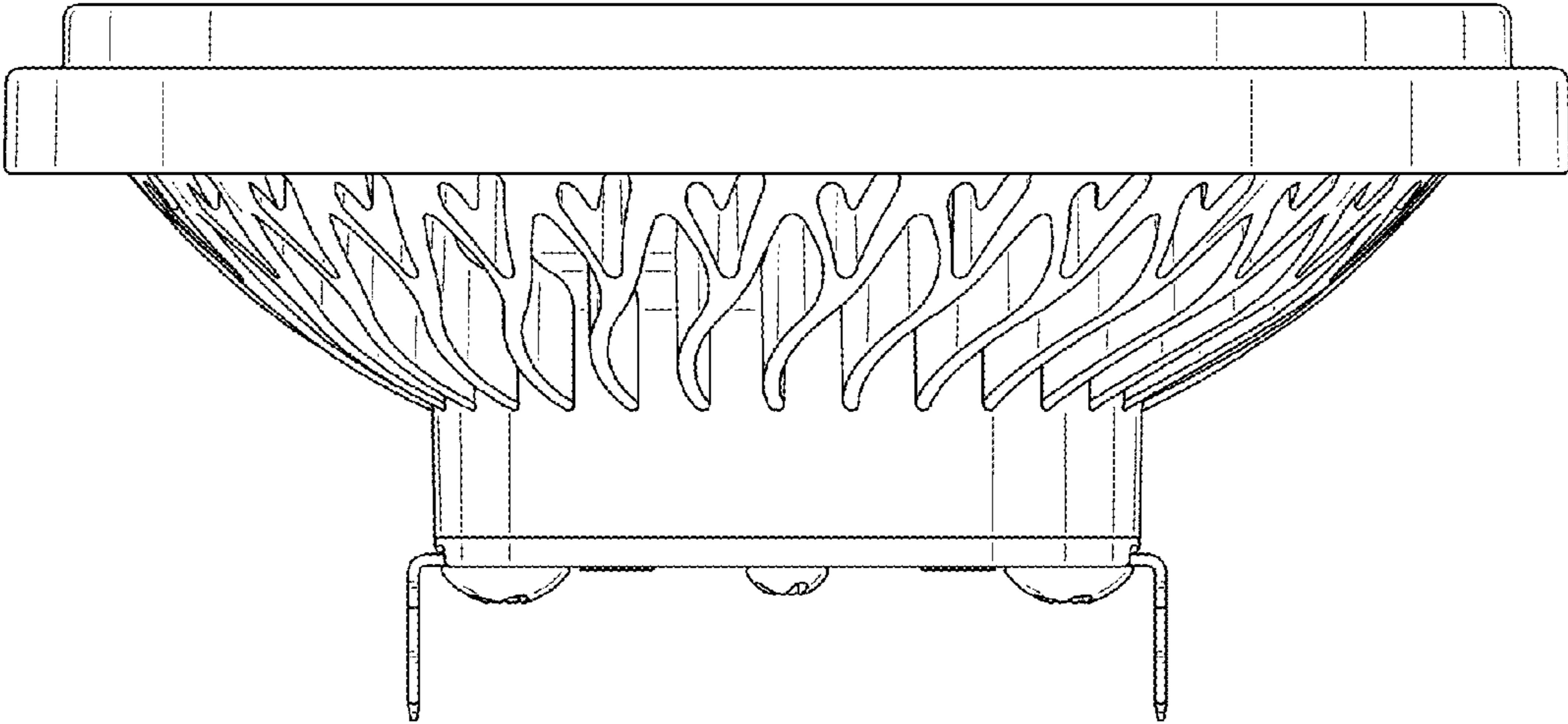


FIG. 17

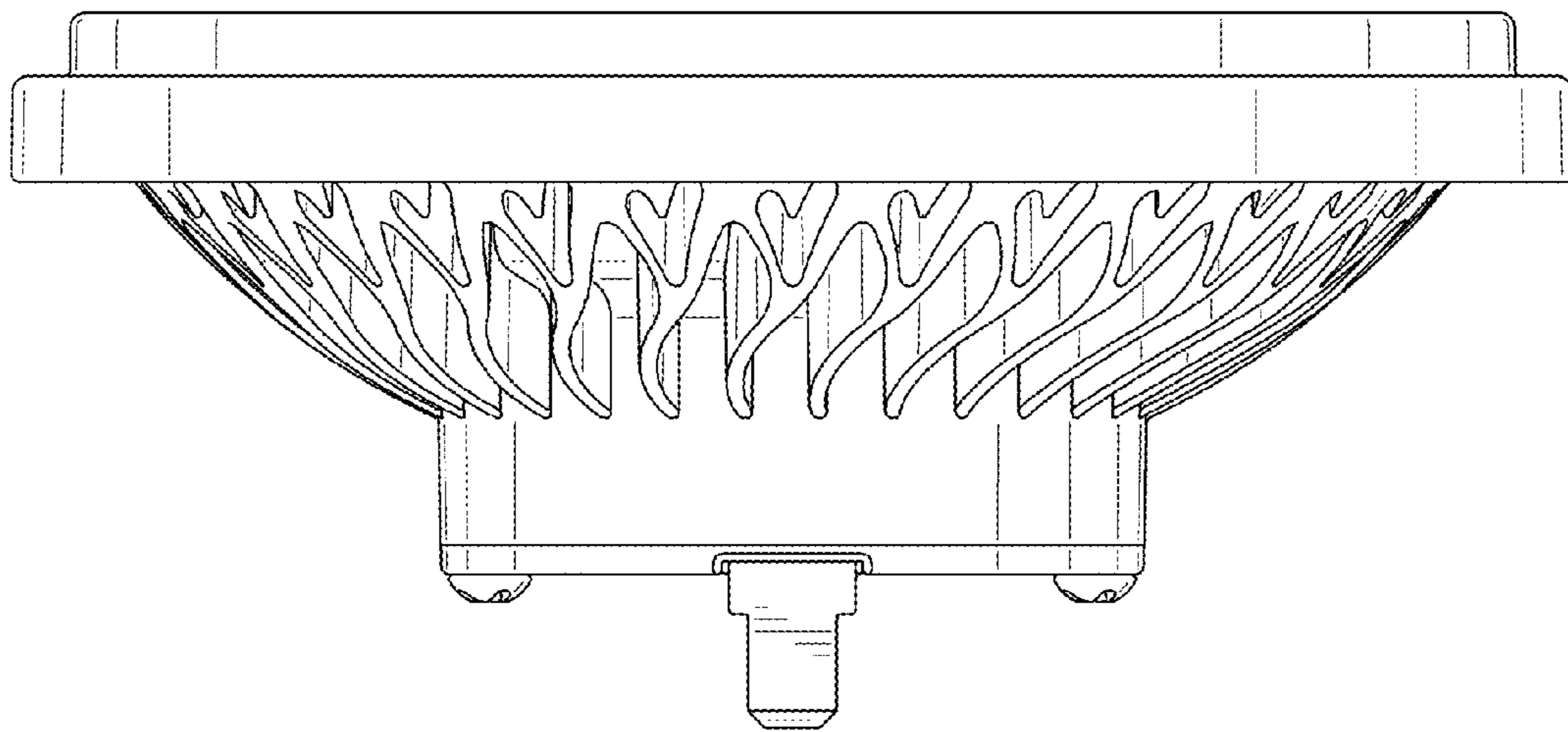


FIG. 18

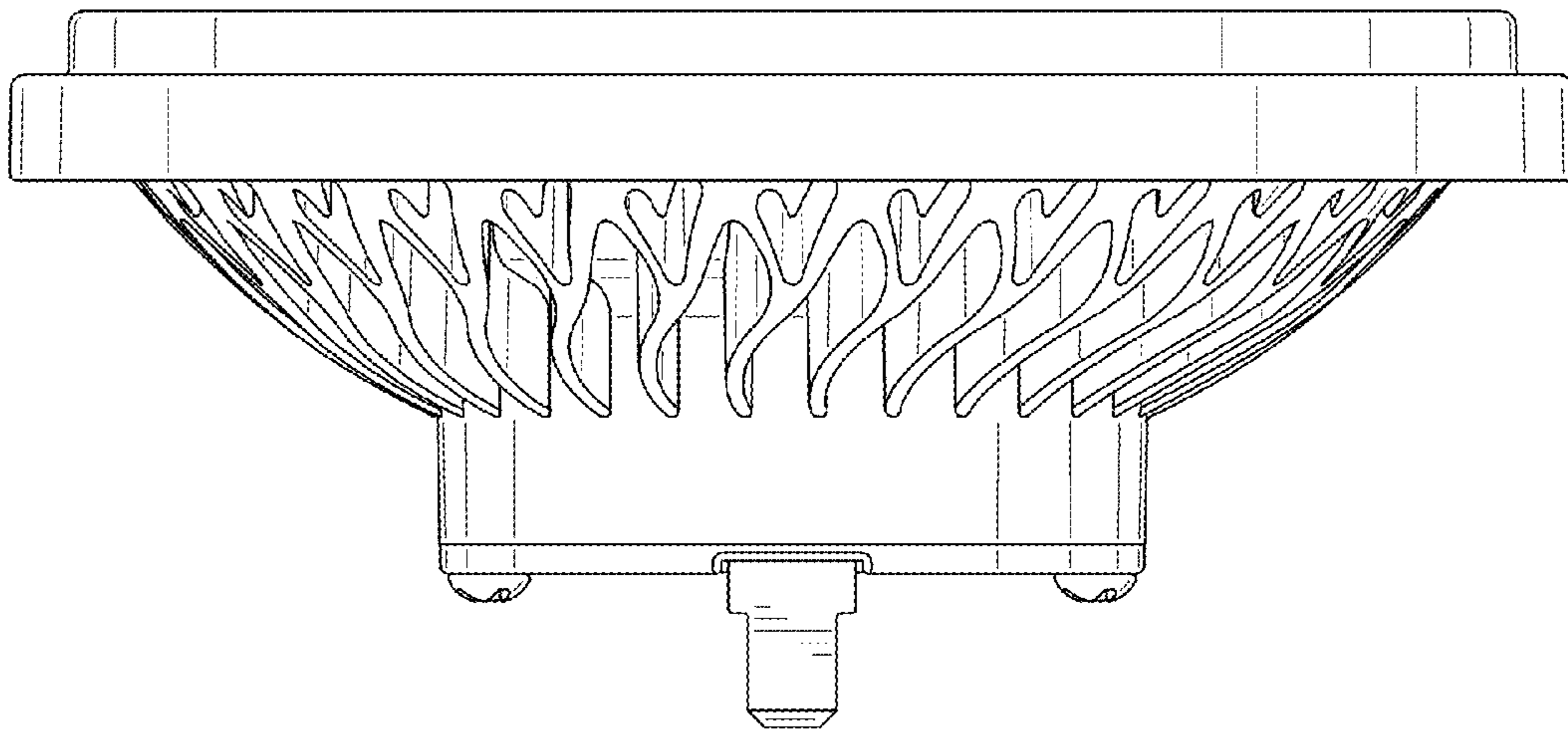


FIG. 19

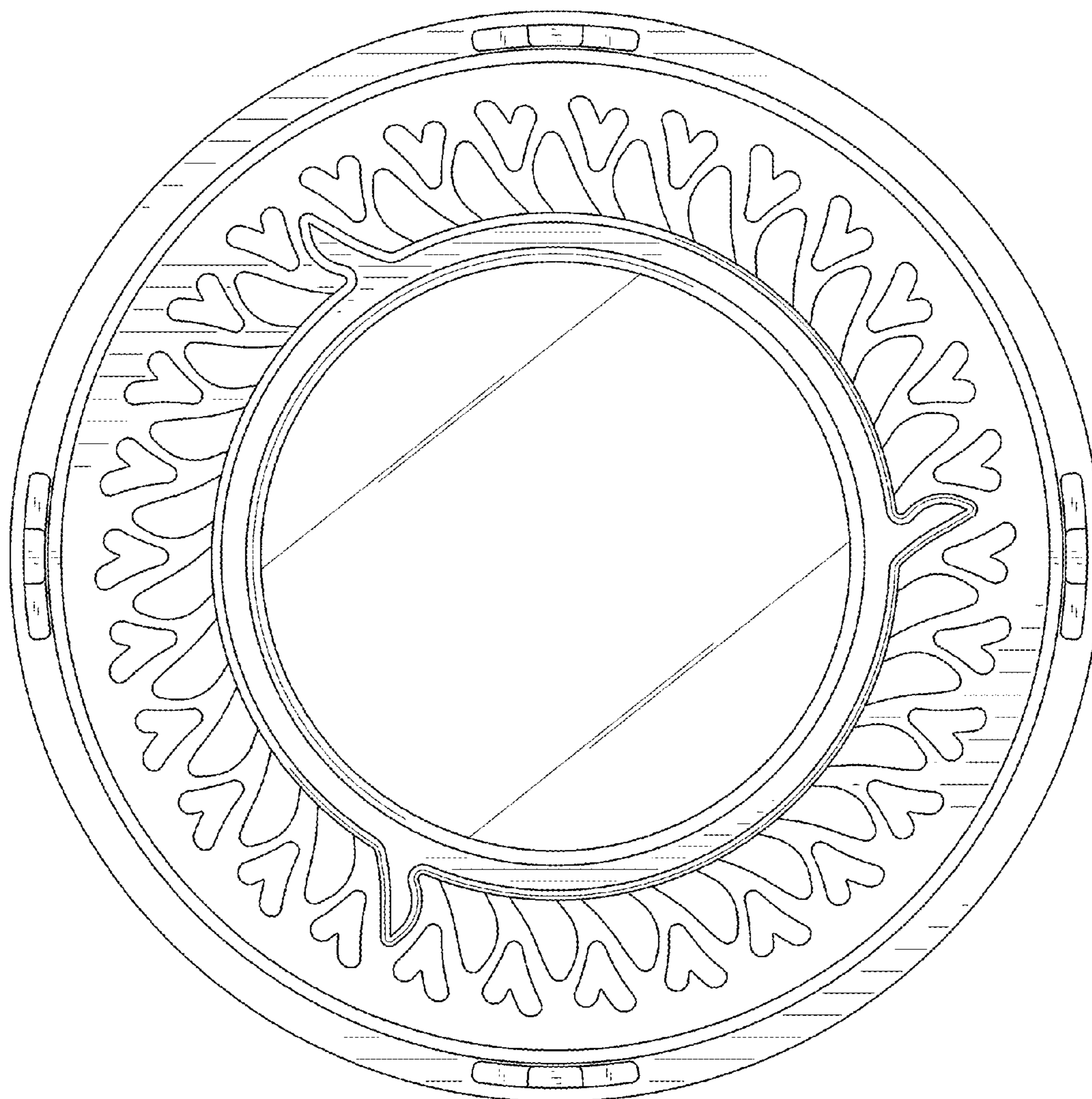


FIG. 20

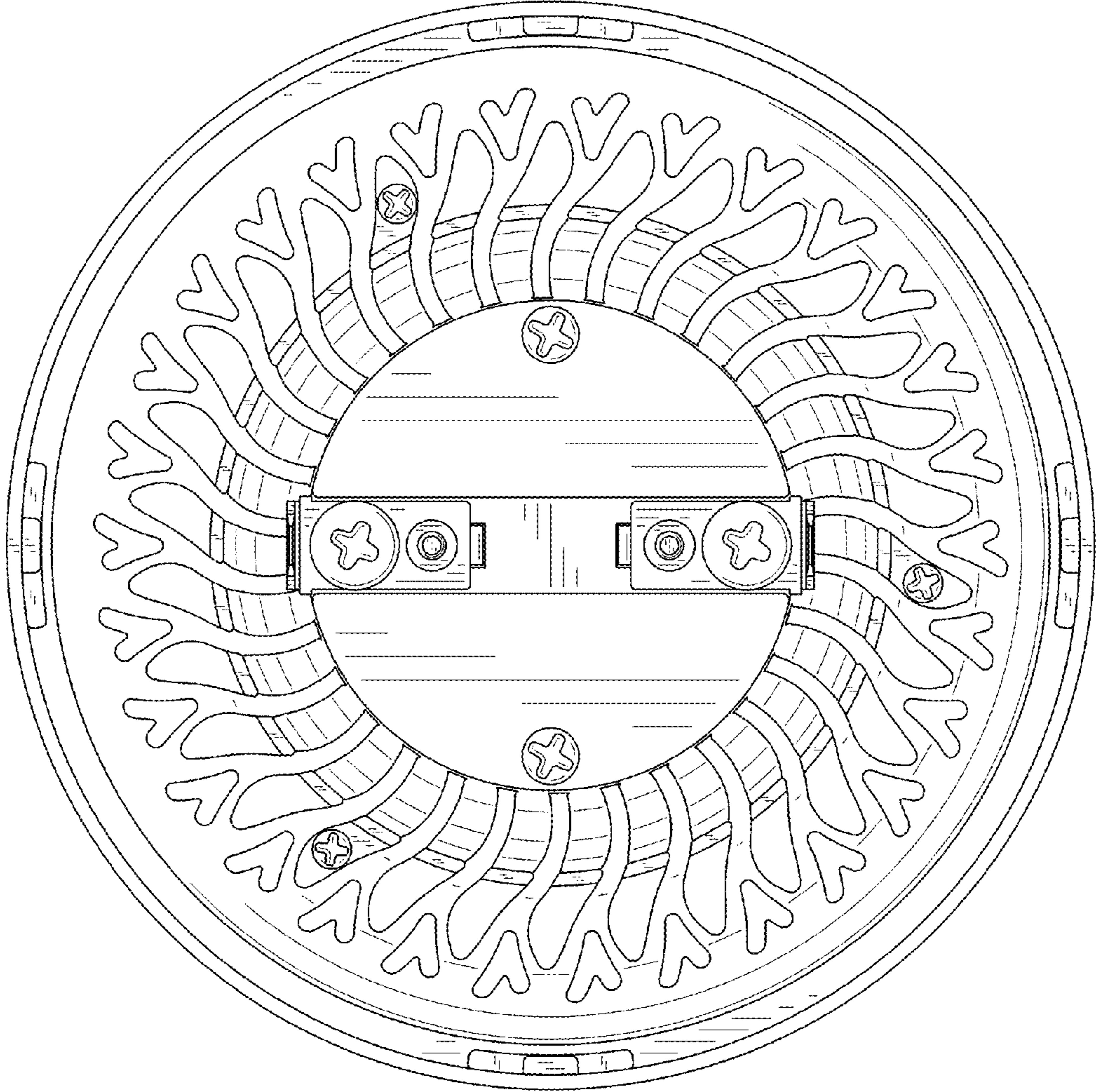


FIG. 21