



US00D695426S

(12) **United States Design Patent**
Tu

(10) **Patent No.:** **US D695,426 S**
(45) **Date of Patent:** **** Dec. 10, 2013**

(54) **LED LUMINAIRE**
(75) Inventor: **Dingwen Tu**, GuangZhou (CN)
(73) Assignee: **Xiaoying Qian**, Guangzhou (CN)
(**) Term: **14 Years**
(21) Appl. No.: **29/420,261**
(22) Filed: **May 7, 2012**

D553,266 S * 10/2007 Maxik D26/2
D566,300 S * 4/2008 Lo D26/2
D584,838 S * 1/2009 To et al. D26/2
D646,802 S * 10/2011 Guohui D26/2

* cited by examiner

Primary Examiner — Marcus Jackson
(74) *Attorney, Agent, or Firm* — Hamre, Schumann, Mueller & Larson, P.C.

(30) **Foreign Application Priority Data**

Feb. 15, 2012 (CN) 2012 3 0028617

(51) **LOC (9) Cl.** **26-04**
(52) **U.S. Cl.**
USPC **D26/2**
(58) **Field of Classification Search**
USPC D26/1-4; 313/313, 315, 316, 317, 318,
313/493; 315/52, 53, 56, 57, 58
See application file for complete search history.

(57) **CLAIM**

The ornamental design for a LED luminaire, as shown.

DESCRIPTION

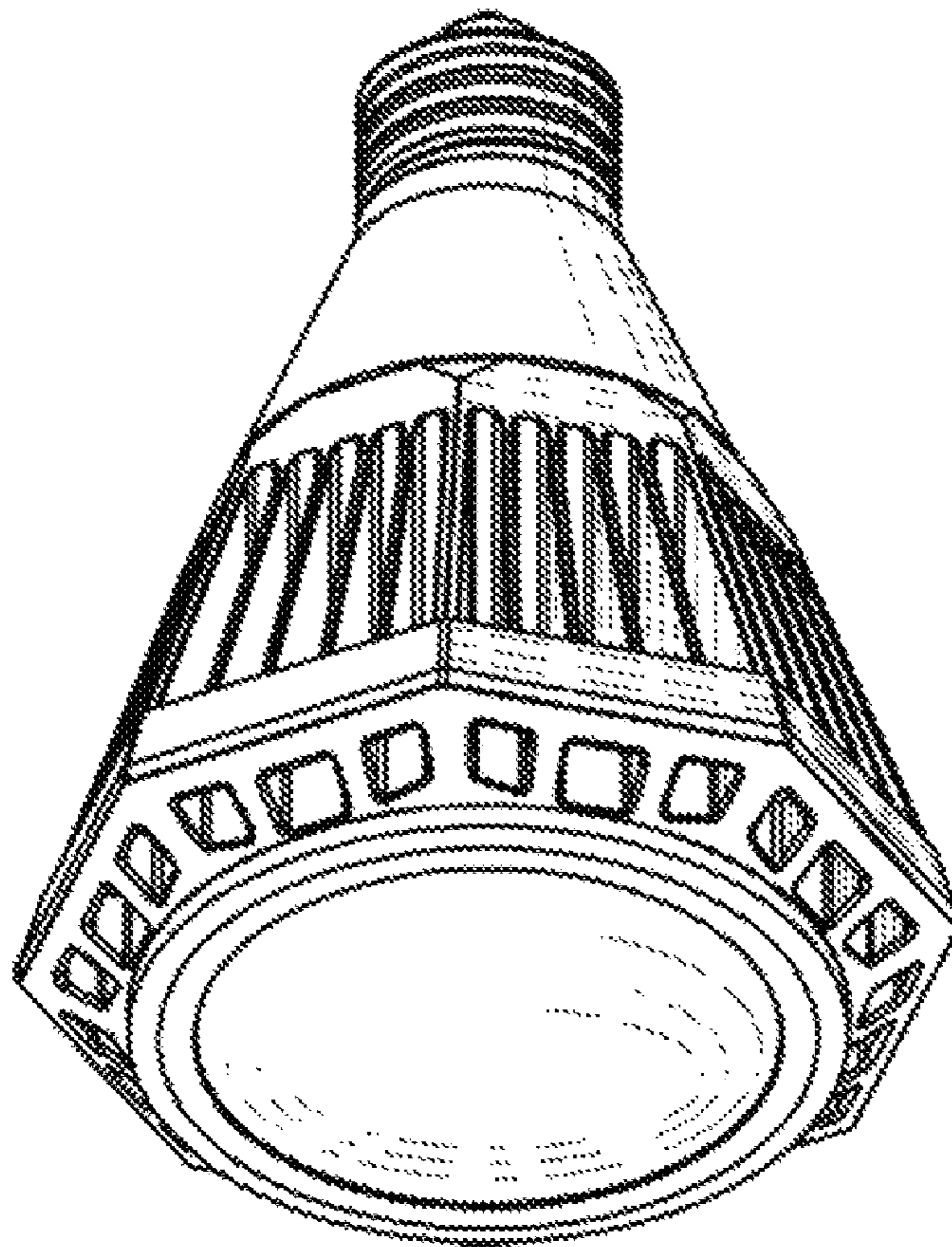
FIG. 1 is a bottom view of the LED luminaire of the invention; FIG. 2 is a right side view of the LED luminaire depicted in FIG. 1; FIG. 3 is a front view of the LED luminaire depicted in FIG. 1; FIG. 4 is a left side view the LED luminaire depicted in FIG. 1; FIG. 5 is a top view of the LED luminaire depicted in FIG. 1; FIG. 6 is a perspective view of the LED luminaire depicted in FIG. 1; and, FIG. 7 is a rear view of the LED luminaire depicted in FIG. 1.

(56) **References Cited**

U.S. PATENT DOCUMENTS

D532,532 S * 11/2006 Maxik D26/2
D535,038 S * 1/2007 Egawa et al. D26/2

1 Claim, 7 Drawing Sheets



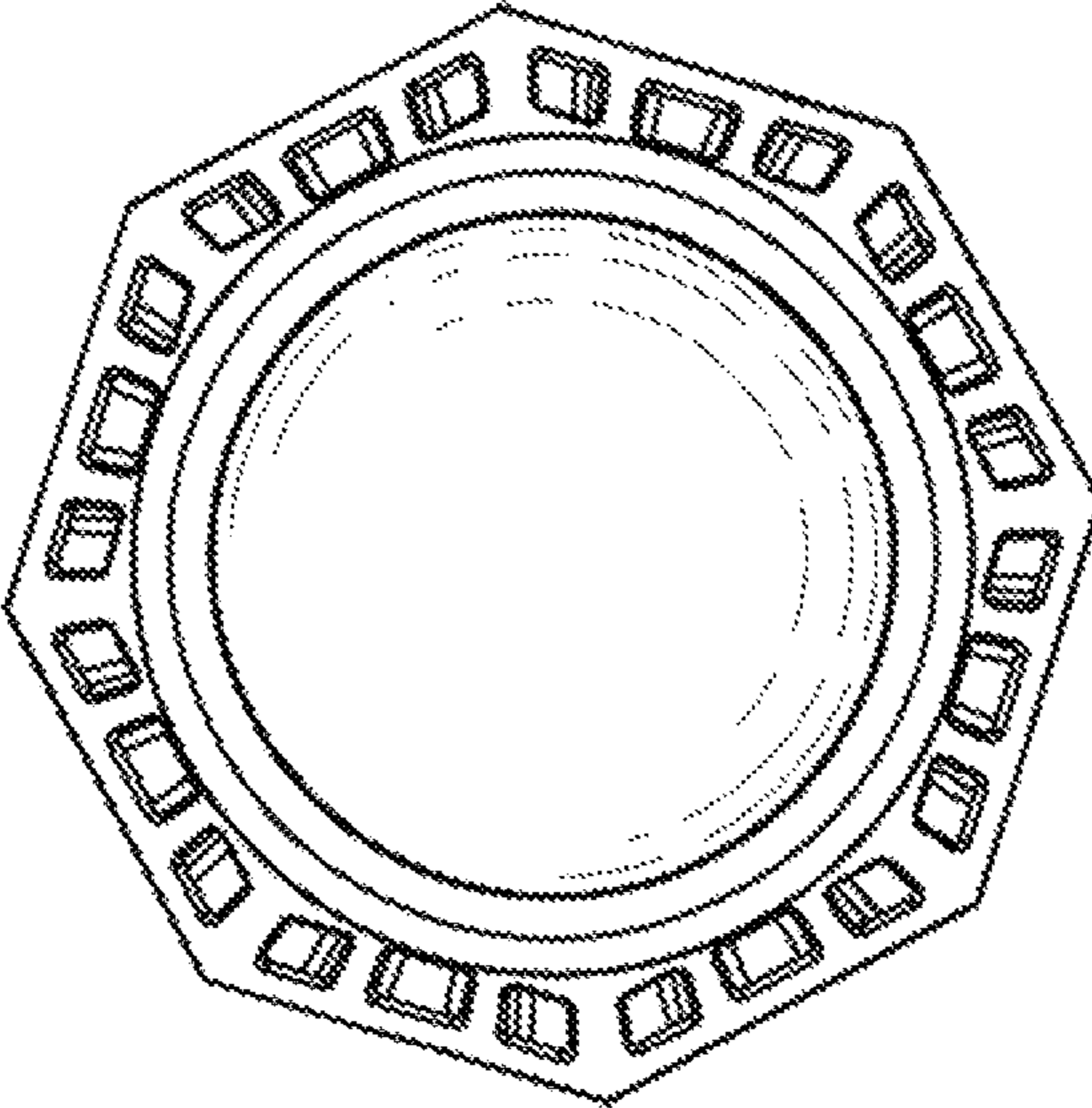


Fig. 1

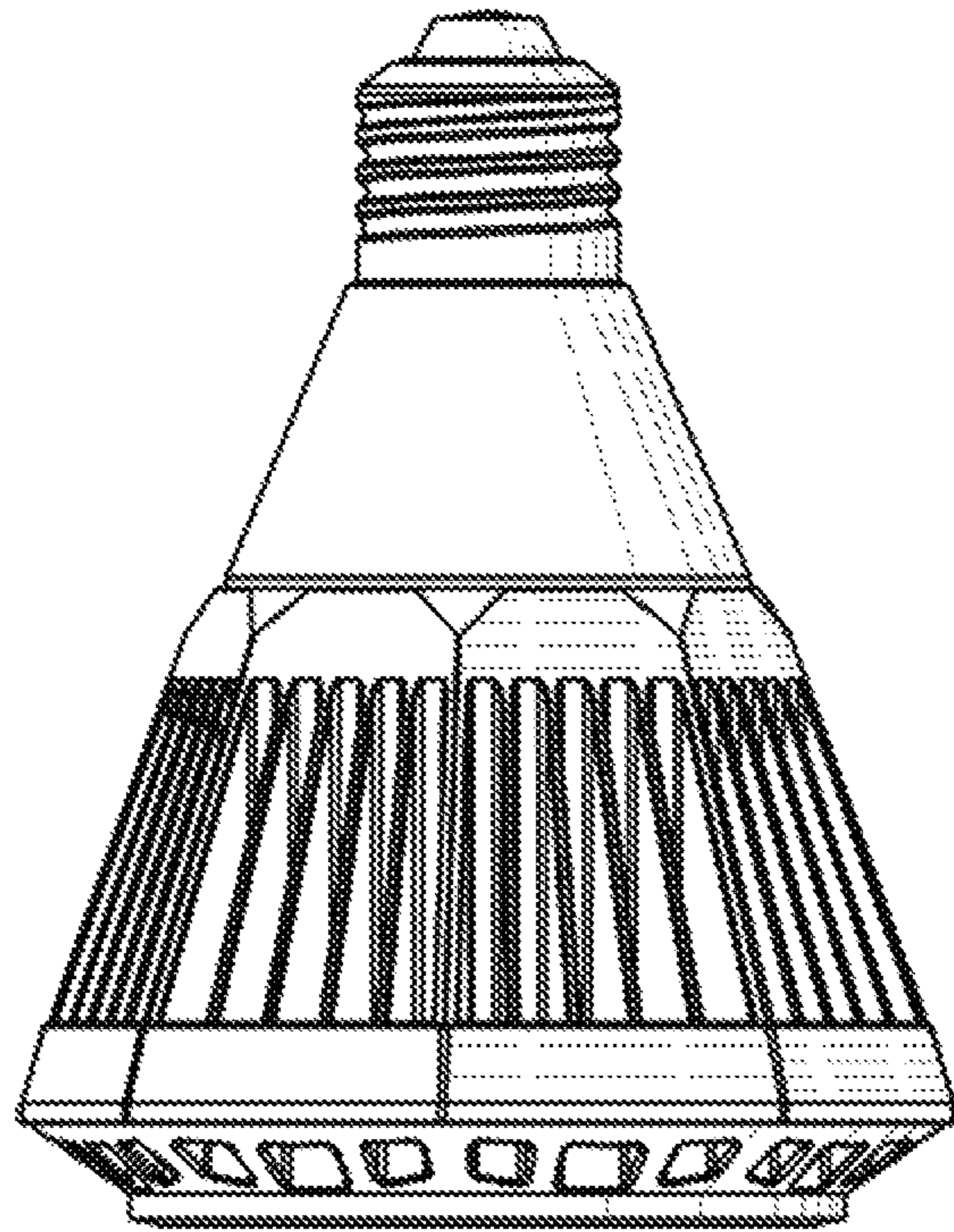


Fig. 2

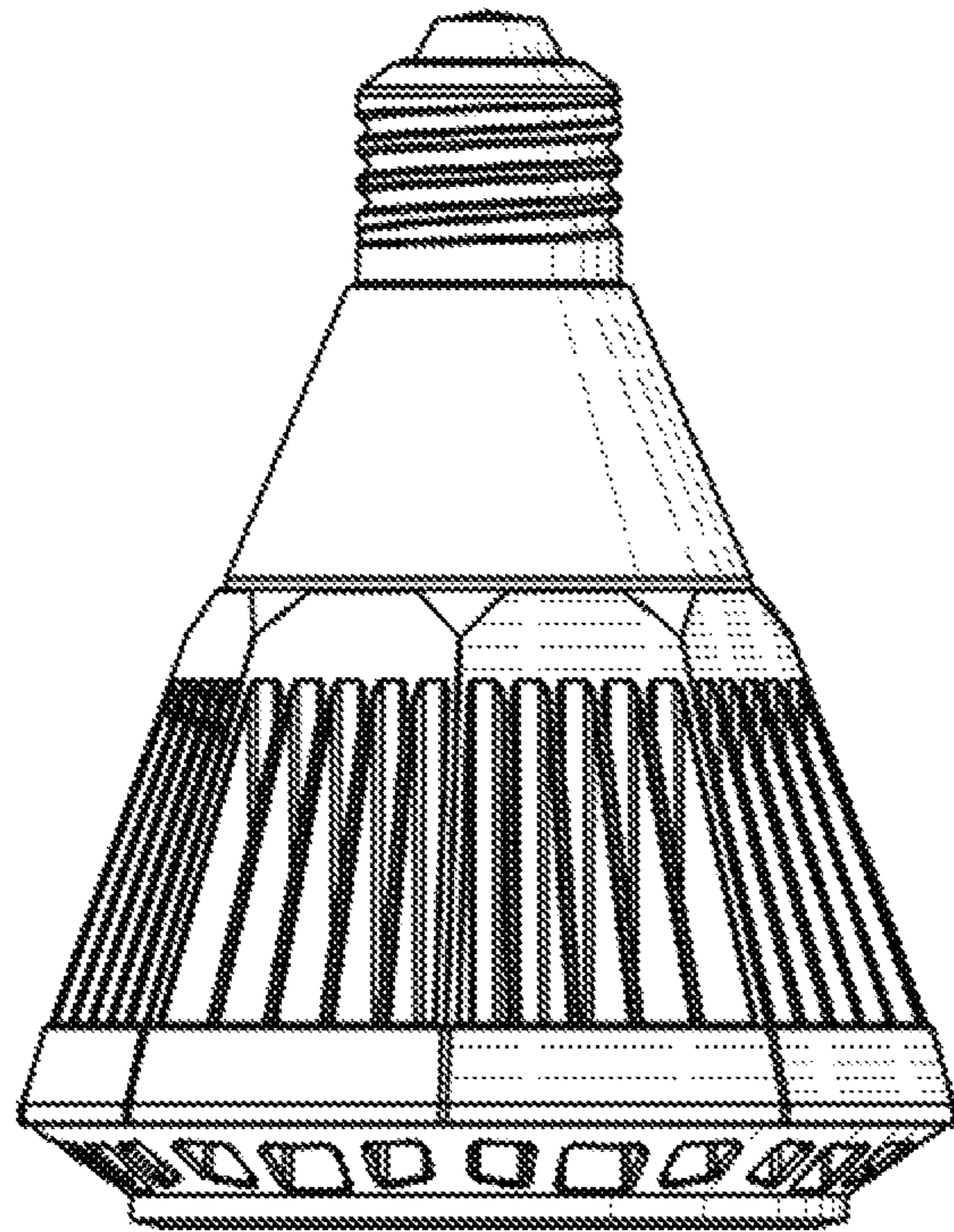


Fig. 3

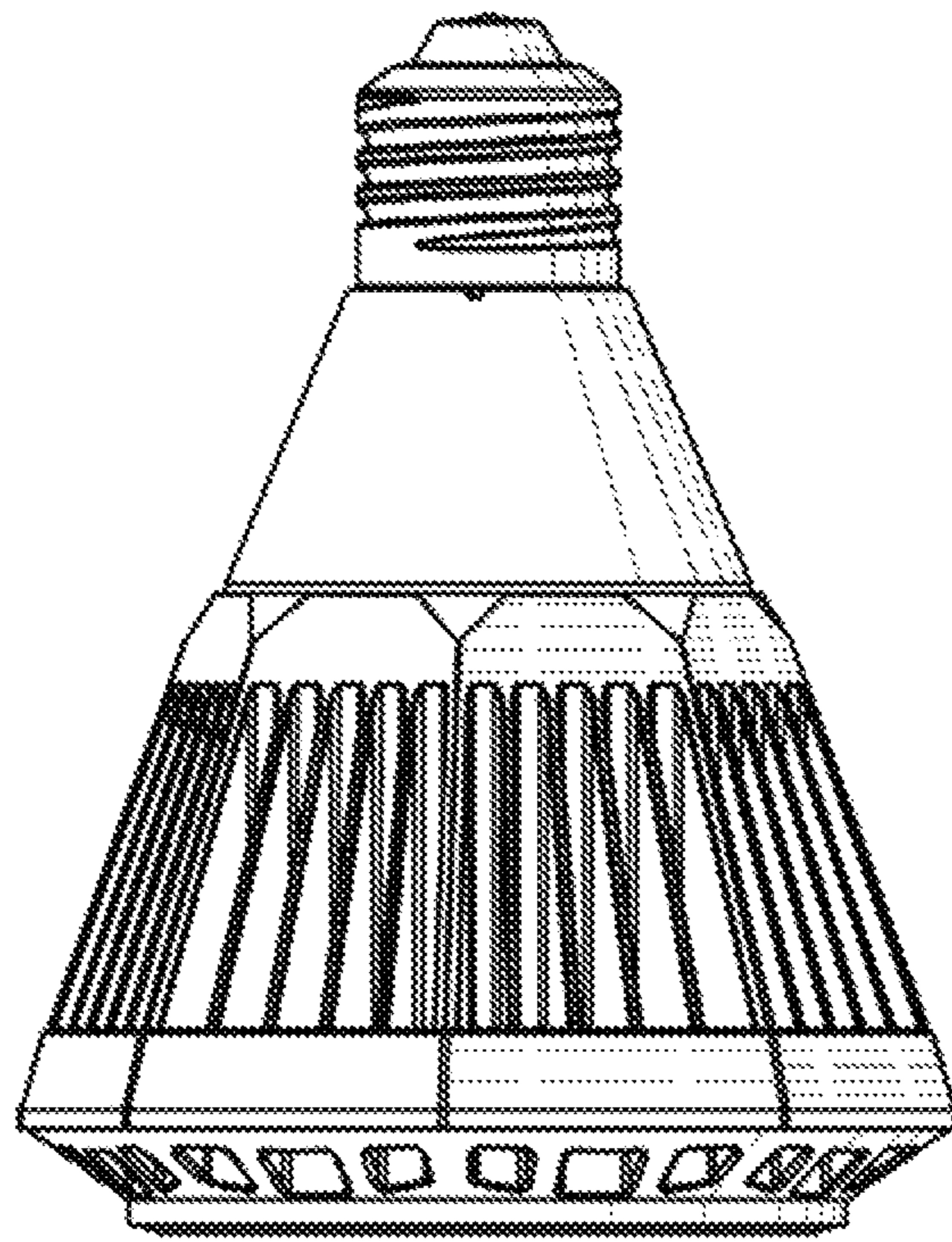


Fig. 4

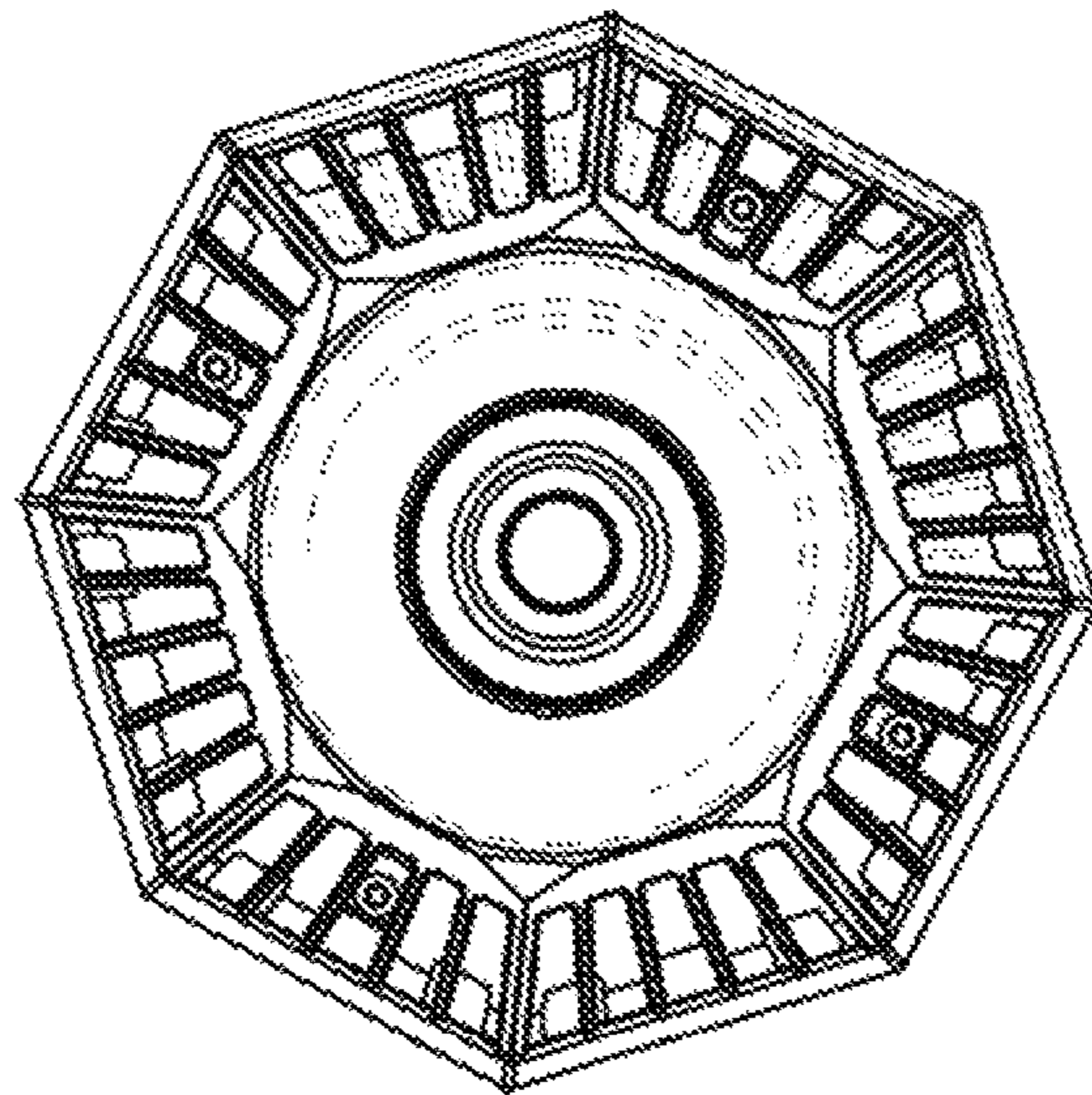


Fig. 5

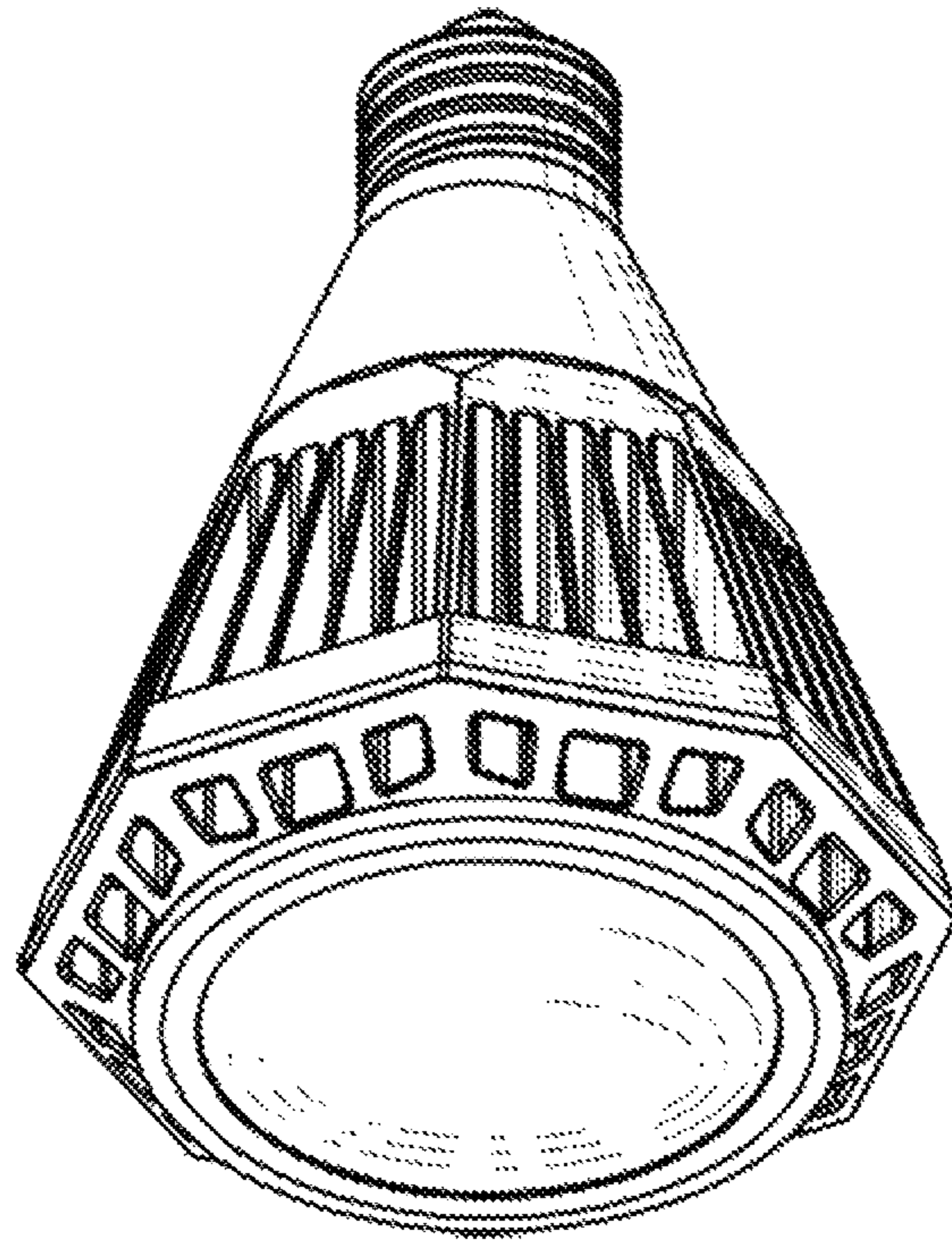


Fig. 6

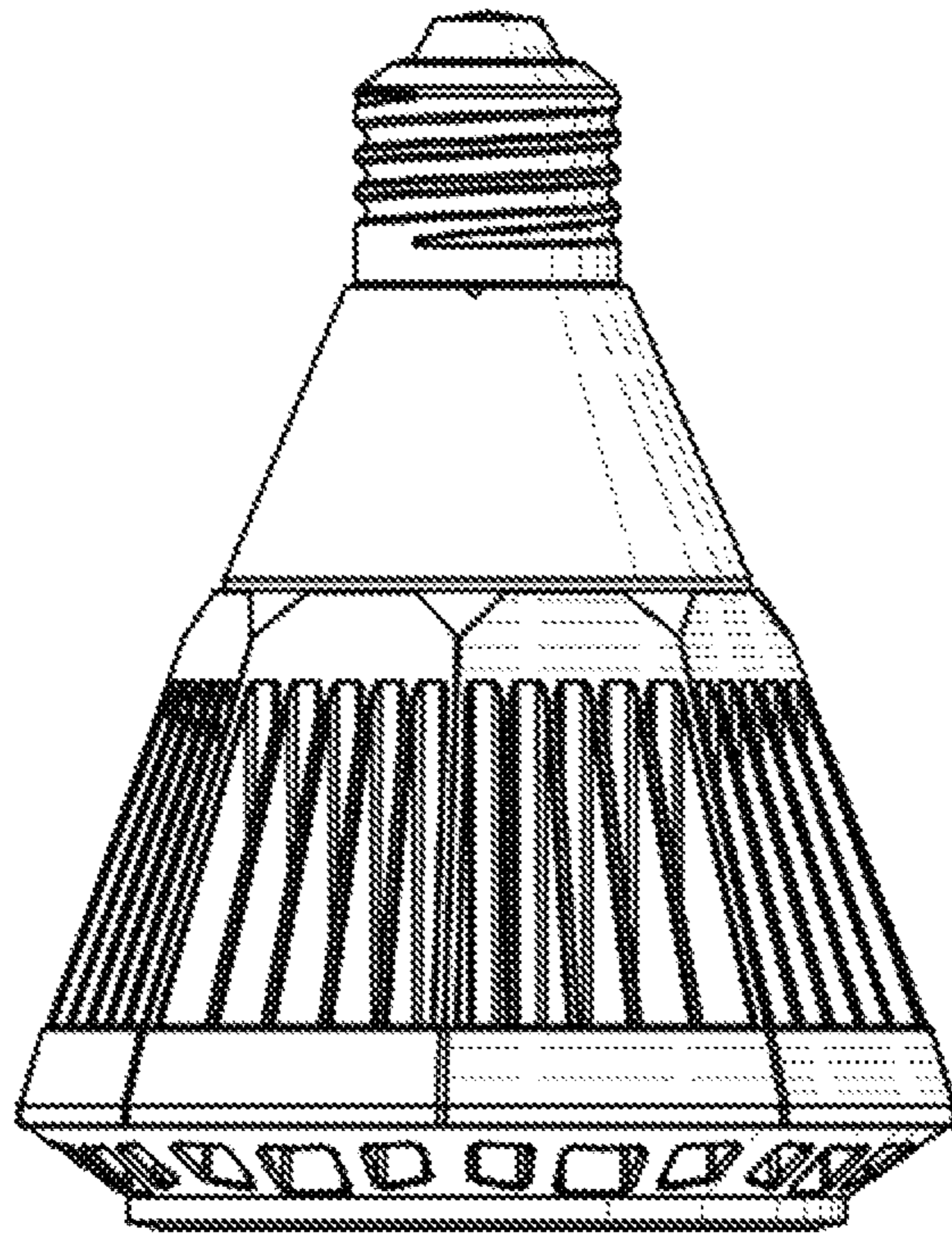


Fig. 7