

US00D695424S

(12) **United States Design Patent**  
**Dionne et al.**

(10) **Patent No.:** **US D695,424 S**  
(45) **Date of Patent:** **\*\* Dec. 10, 2013**

(54) **MODULAR TOWER SEGMENT**

- (75) Inventors: **Alain Dionne**, St-Eustache (CA);  
**Martin Leger**, Prevost (CA)
- (73) Assignee: **Acier Profile S.B.B. Inc.**, Quebec (CA)
- (\*\*) Term: **14 Years**
- (21) Appl. No.: **29/425,037**
- (22) Filed: **Jun. 19, 2012**
- (51) **LOC (9) Cl.** ..... **25-01**
- (52) **U.S. Cl.**  
USPC ..... **D25/126**
- (58) **Field of Classification Search**  
USPC ..... D25/126; 52/223.4, 223.5, 223.3,  
52/223.8, 40, 123.1, 146  
See application file for complete search history.

(56) **References Cited**

**U.S. PATENT DOCUMENTS**

503,048	A *	8/1893	Jacobs	.....	417/334
4,272,929	A *	6/1981	Hanson	.....	52/40
4,769,959	A	9/1988	Lindsey		
4,934,114	A *	6/1990	Lindsey	.....	52/40
5,117,607	A *	6/1992	Bourdon	.....	52/845
D384,756	S *	10/1997	Wilmotte	.....	D25/126
D616,114	S *	5/2010	Harder	.....	D25/126
D624,667	S *	9/2010	Keel et al.	.....	D25/126

**OTHER PUBLICATIONS**

Acier Profile S.B.B. Inc., Corporate brochure, Aug. 25, 2010.

\* cited by examiner

*Primary Examiner* — Doris Clark

(74) *Attorney, Agent, or Firm* — IPAXIO S.E.N.C.

(57) **CLAIM**

The ornamental design for a modular tower segment, as shown and described.

**DESCRIPTION**

FIG. 1 is an isometric view of a modular tower segment showing the new design with an example of its environment; FIG. 2 is a view similar to FIG. 1, showing the modular tower segment alone;

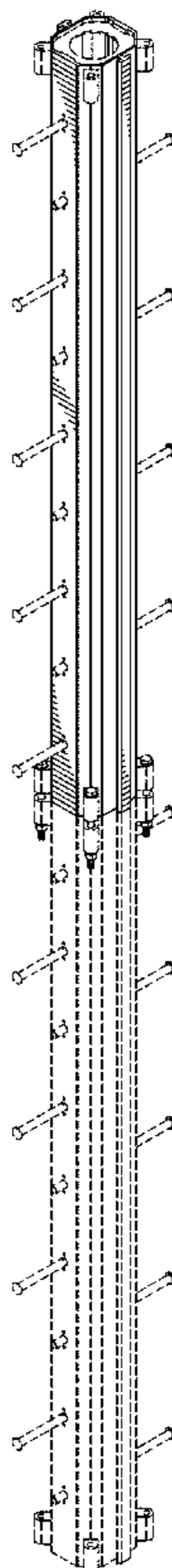
FIG. 3 is a top end view thereof, the bottom end view being identical;

FIG. 4 is a cross-sectional view taken along line 4-4 in FIG. 2; FIG. 5 is a right side view thereof, the left side view being identical; and,

FIG. 6 is a front side view thereof, the rear side view being identical.

The features on the modular tower segment that are shown in broken lines in FIG. 1 are for illustration purposes only and form no part of the claimed design.

**1 Claim, 3 Drawing Sheets**



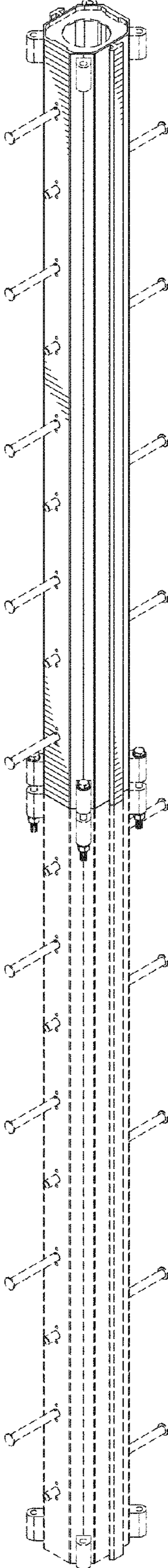


Fig-1

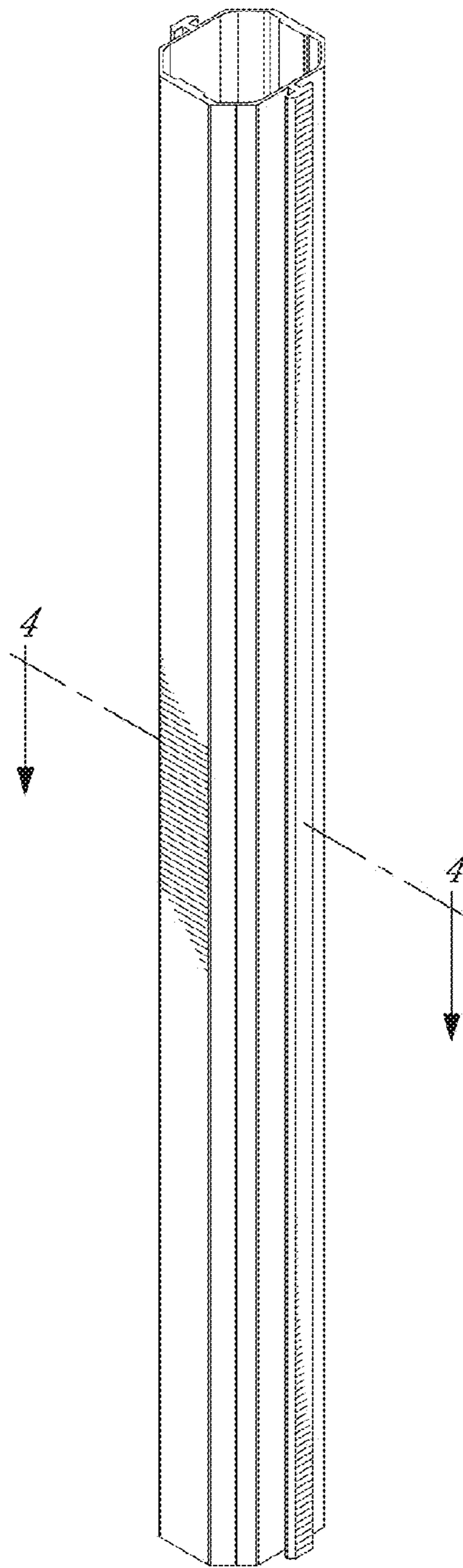


Fig-2

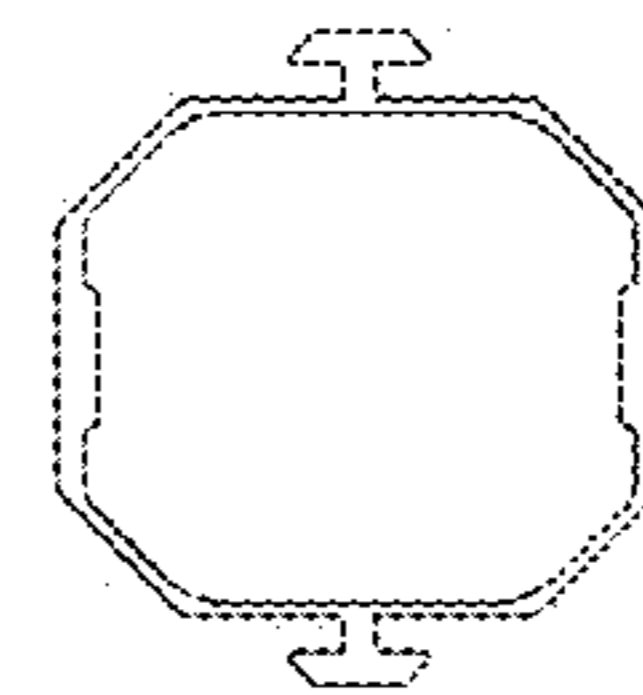


Fig-3

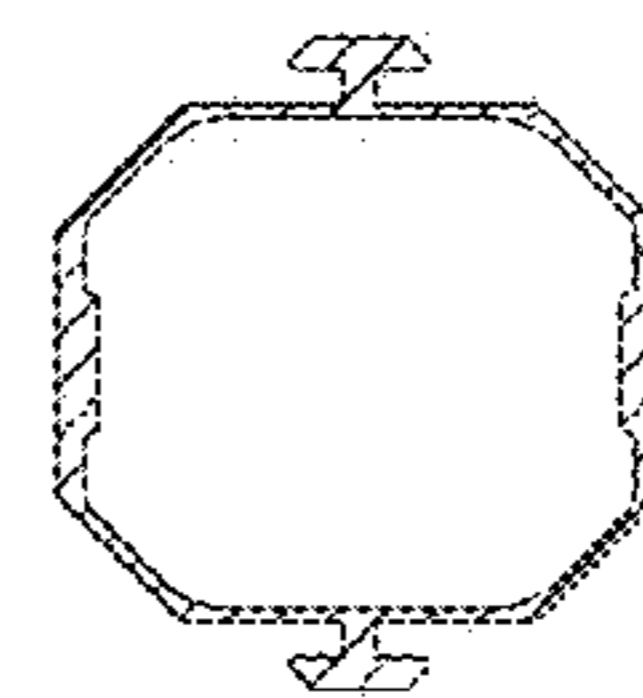
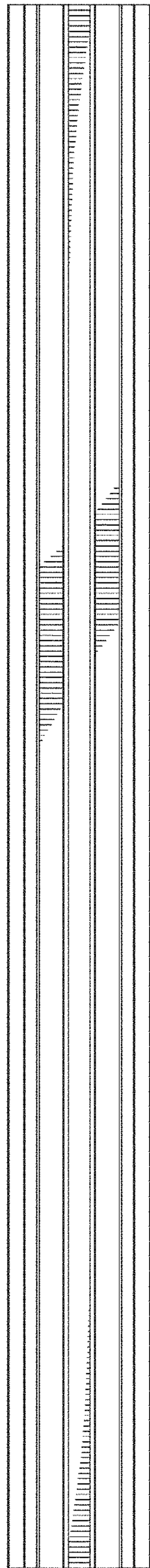
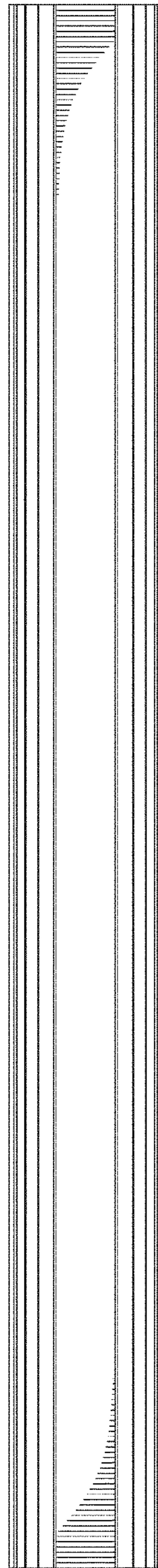


Fig-4



*Fig-5*



*Fig-6*