

US00D695422S

(12) **United States Design Patent**
Krieger

(10) **Patent No.:** **US D695,422 S**

(45) **Date of Patent:** **** Dec. 10, 2013**

(54) **CROSS SPLINE FOR A WALL PANEL SYSTEM**

(71) Applicant: **Marlite, Inc.**, Dover, OH (US)

(72) Inventor: **Kevin Krieger**, New Philadelphia, OH (US)

(73) Assignee: **Marlite, Inc.**, Dover, OH (US)

(**) Term: **14 Years**

(21) Appl. No.: **29/455,702**

(22) Filed: **May 23, 2013**

Related U.S. Application Data

(63) Continuation of application No. 13/489,623, filed on Jun. 6, 2012.

(51) **LOC (9) Cl.** **25-01**

(52) **U.S. Cl.**

USPC **D25/119**; D25/136

(58) **Field of Classification Search**

USPC D25/119, 121, 136; 52/483.1, 489.1, 52/489.2, 762, 764, 772, 774, 393, 395, 52/459, 460, 464, 474, 506.07, 287.1, 52/716.8, 717.01, 718.04

See application file for complete search history.

(56) **References Cited**

U.S. PATENT DOCUMENTS

D202,377 S	9/1965	Broske et al.	
3,712,015 A *	1/1973	Nelson	52/586.2
3,866,374 A	2/1975	Dallen	
4,504,555 A	3/1985	Prior et al.	
4,615,448 A	10/1986	Johnstonbaugh	
4,625,477 A	12/1986	Johnstonbaugh	
4,918,879 A	4/1990	Bodurow et al.	
4,937,992 A	7/1990	Dawson et al.	
5,030,045 A	7/1991	Dawson et al.	
5,138,803 A	8/1992	Grossen	

5,360,121 A	11/1994	Sothman	
5,377,470 A	1/1995	Hebinck	
5,398,468 A *	3/1995	Erickson	52/282.3
5,417,020 A	5/1995	Dobija	
5,484,067 A	1/1996	Sothman	
5,644,884 A	7/1997	Dobija	
5,694,727 A	12/1997	Dobija	
D405,547 S	2/1999	Dobija	
5,881,522 A	3/1999	Dobija	
D407,832 S	4/1999	Dobija	
D408,558 S *	4/1999	Levy	D25/119
5,918,437 A	7/1999	Dobija	
D414,563 S	9/1999	Dobija	
D425,215 S *	5/2000	Ginzel	D25/119

(Continued)

FOREIGN PATENT DOCUMENTS

WO 2008094566 8/2008

Primary Examiner — Doris Clark

(74) *Attorney, Agent, or Firm* — Wegman, Hessler & Vanderburg

(57) **CLAIM**

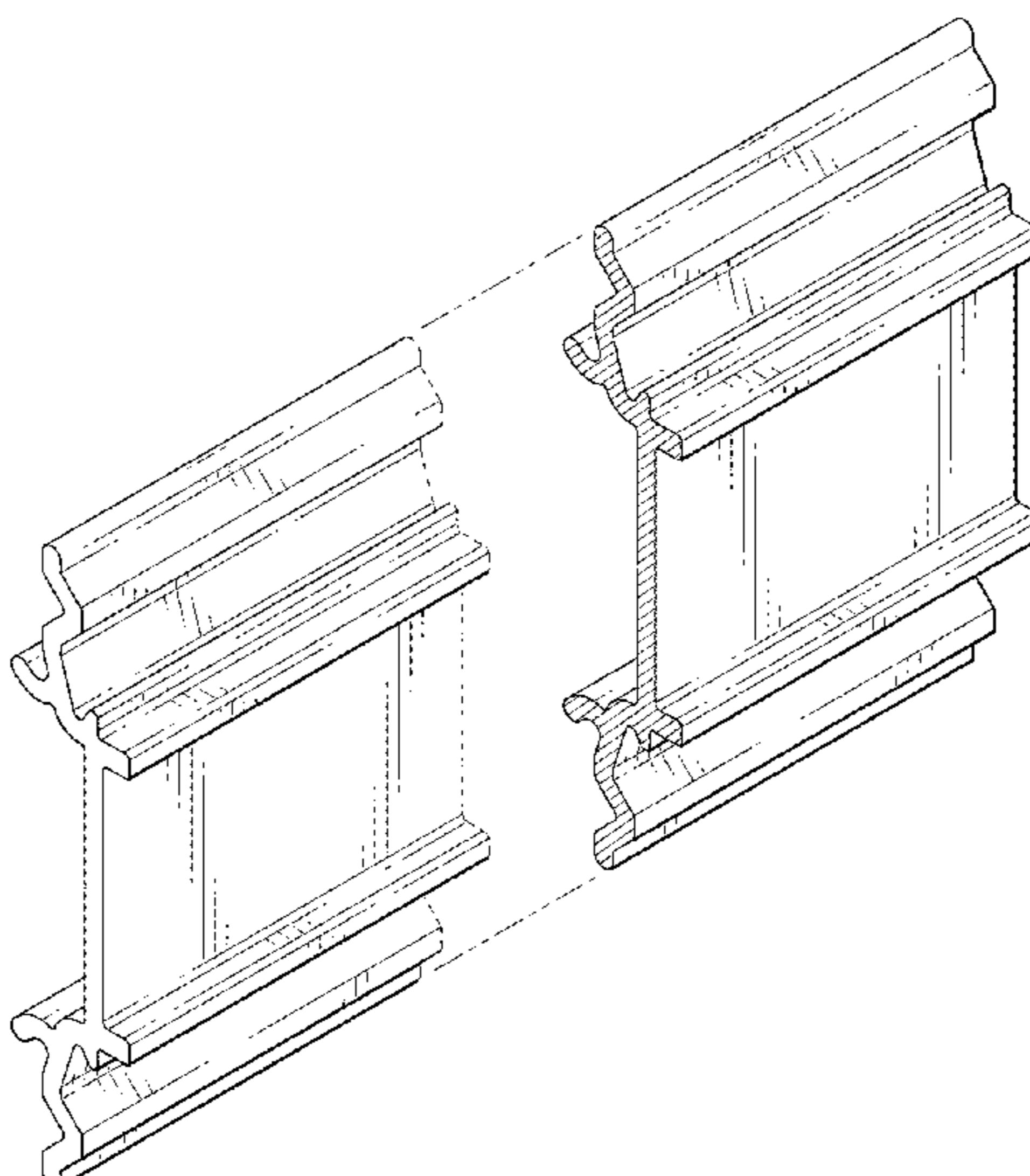
I claim the ornamental design for a cross spline for a wall panel system, as shown and described.

DESCRIPTION

FIG. 1 is a top perspective view of a cross spline for a wall panel system of the present invention; FIG. 2 is first side view thereof; FIG. 3 is a second side view thereof; FIG. 4 is a top view thereof; FIG. 5 is a bottom view thereof; FIG. 6 is a front view thereof; and, FIG. 7 is a rear view thereof.

The ornamental design which is claimed is shown in solid lines in the drawings. Any broken lines in the drawings are for illustrative purposes only and form no part of the claimed design.

1 Claim, 3 Drawing Sheets



(56)

References Cited

U.S. PATENT DOCUMENTS

6,202,377 B1 3/2001 Krieger
 6,427,408 B1 8/2002 Krieger
 D464,153 S 10/2002 Krieger
 6,460,311 B1 10/2002 Ito
 D465,586 S 11/2002 Krieger
 D466,233 S 11/2002 Krieger
 D467,670 S 12/2002 Krieger
 6,491,172 B2 12/2002 Chance et al.
 D474,549 S 5/2003 Krieger
 D477,423 S 7/2003 Campbell et al.
 6,588,165 B1 7/2003 Wright
 D479,008 S 8/2003 Krieger
 D482,552 S 11/2003 Campbell et al.
 D486,676 S 2/2004 Campbell et al.
 6,694,694 B2 2/2004 Zeff

D488,570 S * 4/2004 Houssian D25/136
 6,772,890 B2 8/2004 Campbell et al.
 6,792,727 B2 9/2004 Krieger
 D497,434 S * 10/2004 Brabeck D25/125
 6,993,875 B2 2/2006 Rudduck
 7,665,264 B1 * 2/2010 Wolfe 52/586.2
 7,908,807 B2 3/2011 Geilen
 7,987,648 B1 8/2011 Ryan
 8,006,458 B1 * 8/2011 Olofsson et al. 52/582.1
 8,065,846 B2 11/2011 McDonald et al.
 8,151,533 B2 4/2012 Krieger
 8,151,539 B2 4/2012 Grinsted
 8,161,705 B2 4/2012 Pratt
 8,322,102 B2 12/2012 Krieger
 2004/0049999 A1 3/2004 Krieger
 2010/0050548 A1 3/2010 Krieger
 2012/0167523 A1 7/2012 Krieger

* cited by examiner

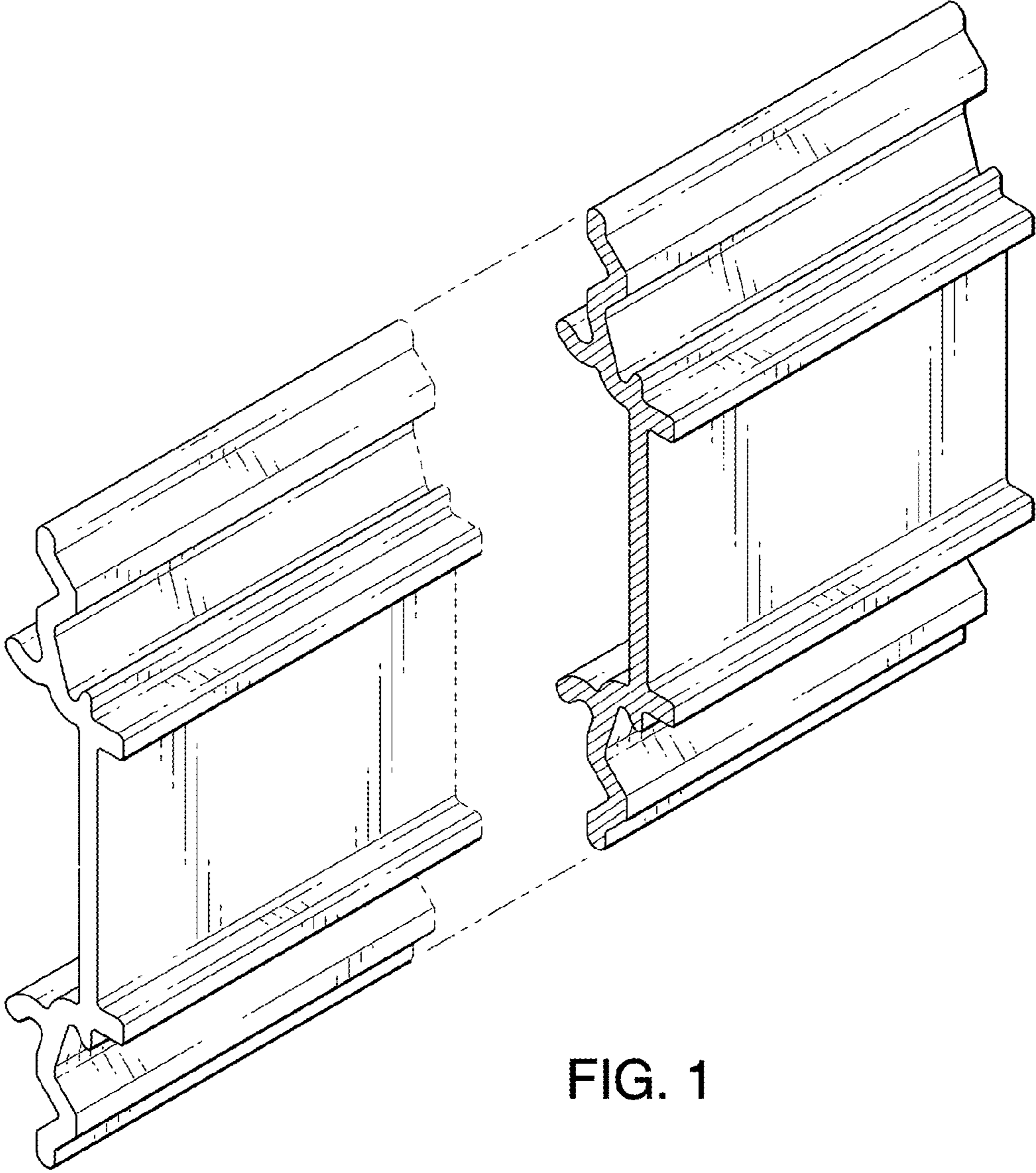


FIG. 1

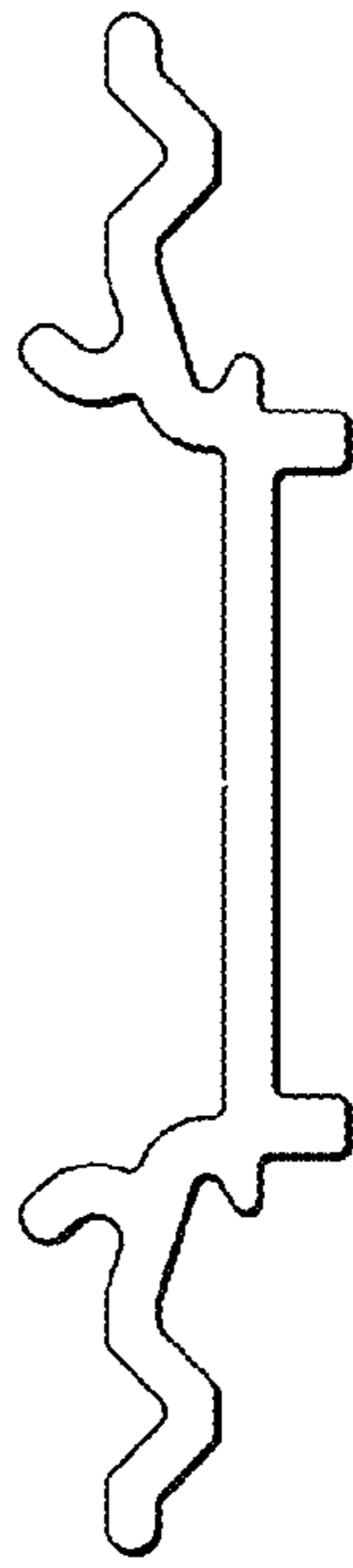


FIG. 2

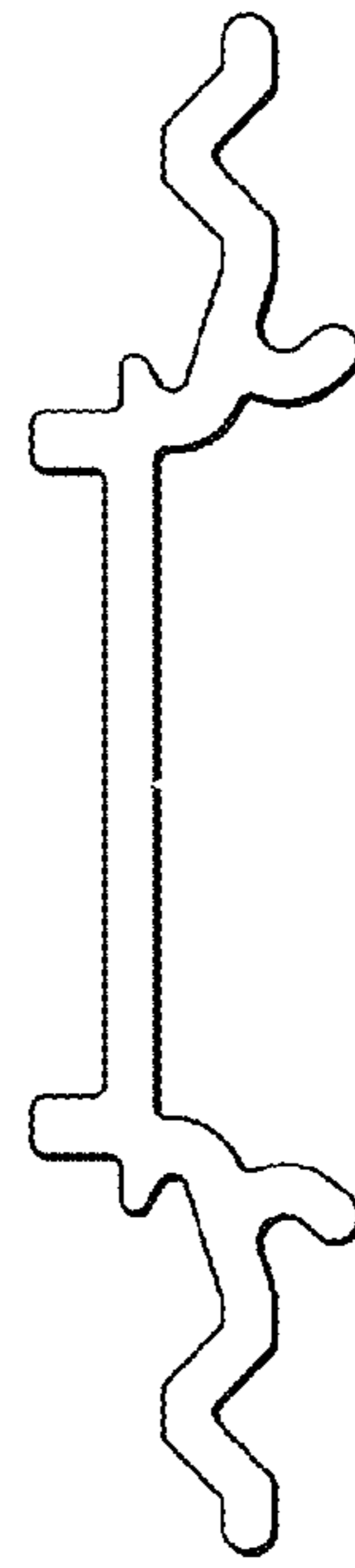


FIG. 3

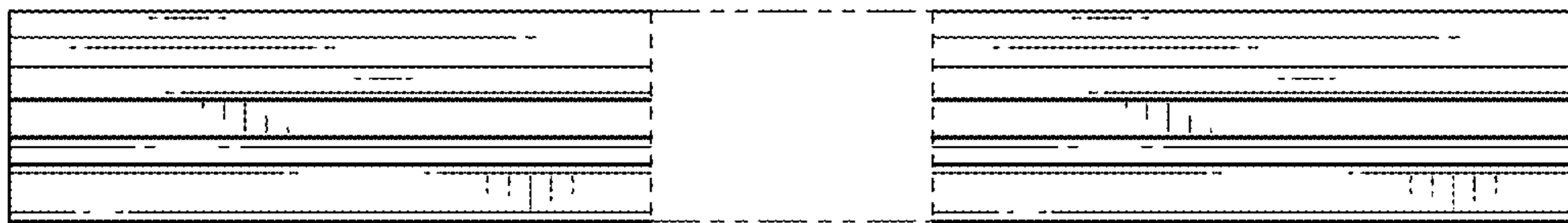


FIG. 4



FIG. 5

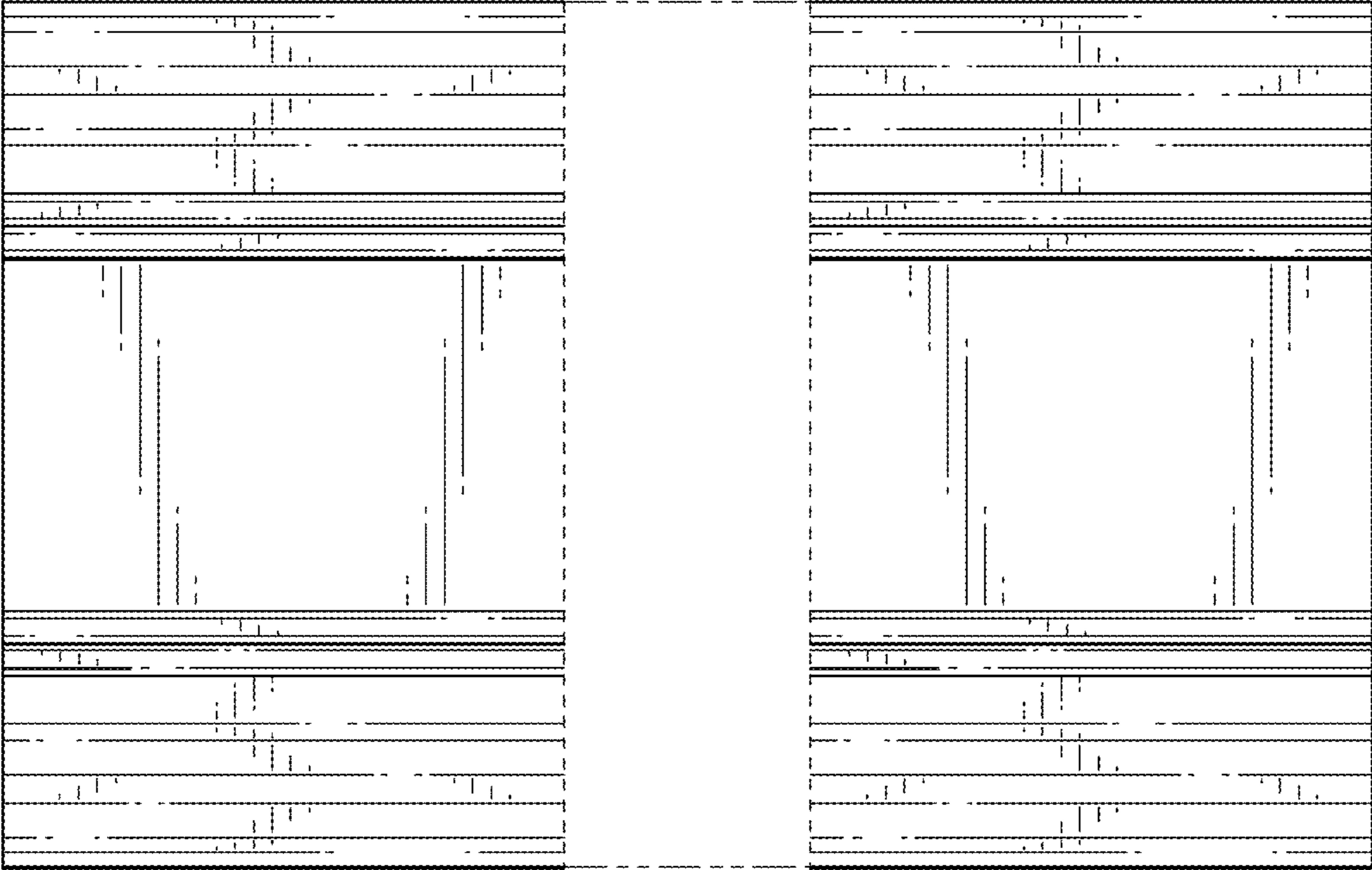


FIG. 6

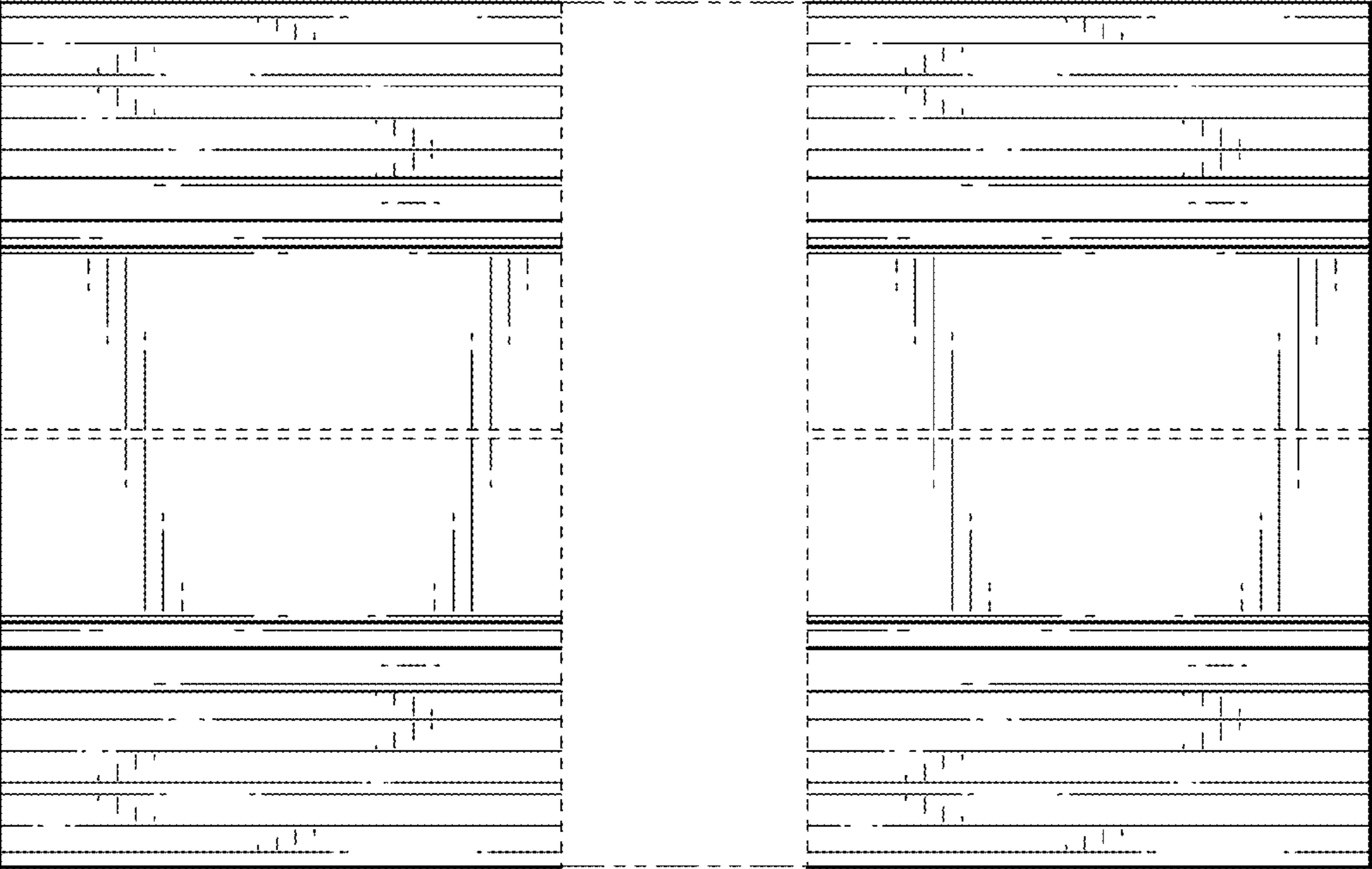


FIG. 7