

US00D695421S

(12) **United States Design Patent**
Krieger

(10) **Patent No.:** **US D695,421 S**

(45) **Date of Patent:** **** Dec. 10, 2013**

(54) **MAIN RAIL FOR A WALL PANEL SYSTEM**

(71) Applicant: **Marlite, Inc.**, Dover, OH (US)

(72) Inventor: **Kevin Krieger**, New Philadelphia, OH (US)

(73) Assignee: **Marlite, Inc.**, Dover, OH (US)

(**) Term: **14 Years**

(21) Appl. No.: **29/455,699**

(22) Filed: **May 23, 2013**

5,377,470 A	1/1995	Hebinck	
5,398,468 A *	3/1995	Erickson	52/282.3
5,417,020 A	5/1995	Dobija	
5,484,067 A	1/1996	Sothman	
5,644,884 A	7/1997	Dobija	
5,694,727 A	12/1997	Dobija	
D405,547 S	2/1999	Dobija	
5,881,522 A	3/1999	Dobija	
D407,832 S	4/1999	Dobija	
D408,558 S *	4/1999	Levy	D25/119
5,918,437 A	7/1999	Dobija	
D414,563 S	9/1999	Dobija	
D425,215 S *	5/2000	Ginzel	D25/119
6,202,377 B1	3/2001	Krieger	

(Continued)

Related U.S. Application Data

(63) Continuation of application No. 13/489,623, filed on Jun. 6, 2012.

(51) **LOC (9) Cl.** **25-01**

(52) **U.S. Cl.**
USPC **D25/119**; D25/136

(58) **Field of Classification Search**
USPC D25/119, 121, 136; 52/483.1, 489.1, 52/489.2, 762, 764, 772, 774, 393, 395, 52/459, 460, 464, 474, 506.07, 287.1, 52/716.8, 717.01, 718.04
See application file for complete search history.

(56) **References Cited**

U.S. PATENT DOCUMENTS

D202,377 S	9/1965	Broske et al.	
3,712,015 A *	1/1973	Nelson	52/586.2
3,866,374 A	2/1975	Dallen	
4,504,555 A	3/1985	Prior et al.	
4,615,448 A	10/1986	Johnstonbaugh	
4,625,477 A	12/1986	Johnstonbaugh	
4,918,879 A	4/1990	Bodurov et al.	
4,937,992 A	7/1990	Dawson et al.	
5,030,045 A	7/1991	Dawson et al.	
5,138,803 A	8/1992	Grossen	
5,360,121 A	11/1994	Sothman	

FOREIGN PATENT DOCUMENTS

WO 2008094566 8/2008

Primary Examiner — Doris Clark

(74) *Attorney, Agent, or Firm* — Wegman, Hessler & Vanderburg

(57) **CLAIM**

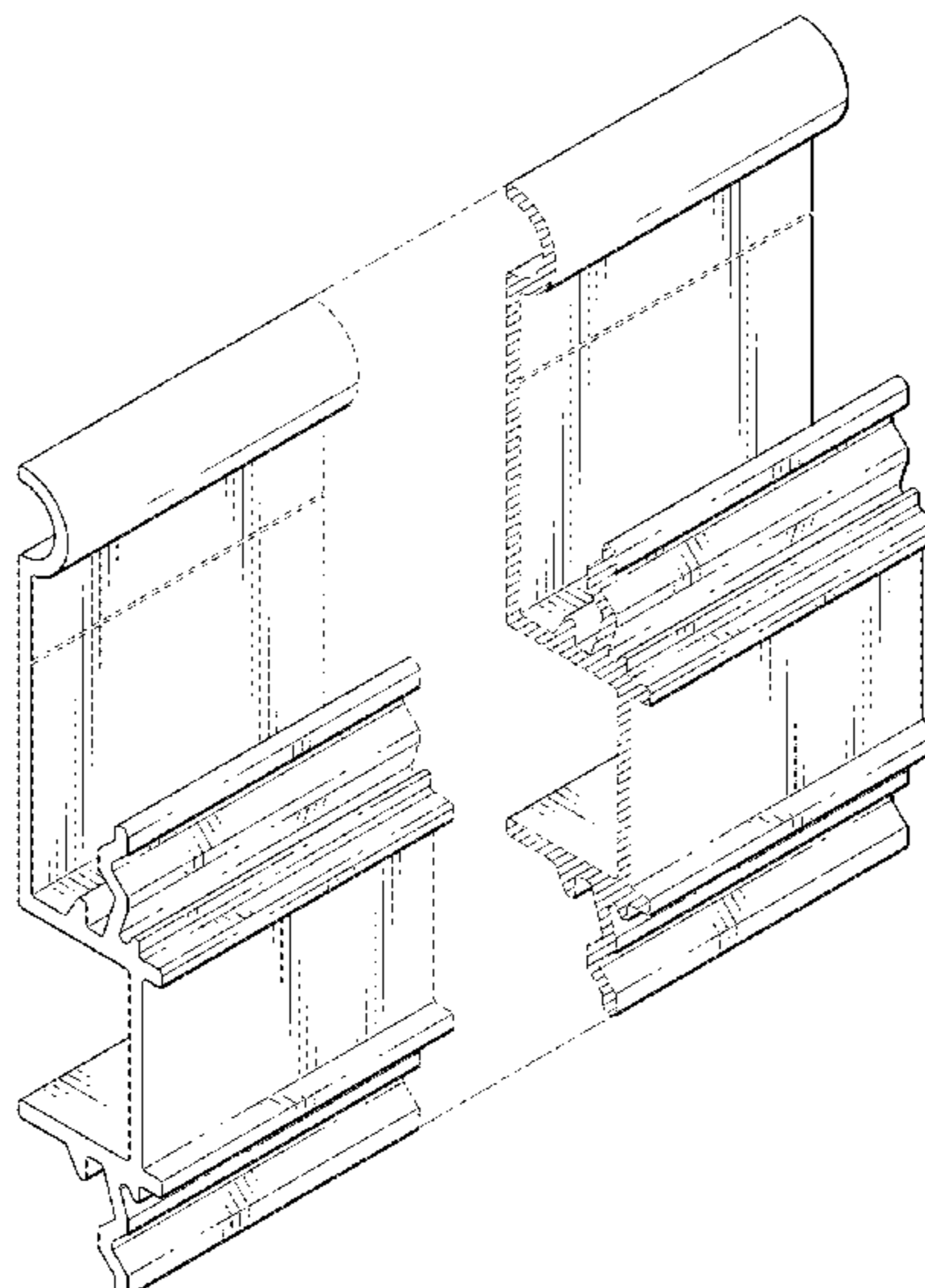
I claim the ornamental design for a main rail for a wall panel system, as shown and described.

DESCRIPTION

FIG. 1 is a top perspective view of a main rail for a wall panel system of the present invention;
FIG. 2 is first side view thereof;
FIG. 3 is a second side view thereof;
FIG. 4 is a top view thereof;
FIG. 5 is a bottom view thereof;
FIG. 6 is a front view thereof; and,
FIG. 7 is a rear view thereof.

The ornamental design which is claimed is shown in solid lines in the drawings. Any broken lines in the drawings are for illustrative purposes only and form no part of the claimed design.

1 Claim, 3 Drawing Sheets



(56)

References Cited

U.S. PATENT DOCUMENTS

6,427,408 B1	8/2002	Krieger	D488,570 S *	4/2004	Houssian	D25/136
D464,153 S	10/2002	Krieger	6,772,890 B2	8/2004	Campbell et al.	
6,460,311 B1	10/2002	Ito	6,792,727 B2	9/2004	Krieger	
D465,586 S	11/2002	Krieger	D497,434 S *	10/2004	Brabeck	D25/125
D466,233 S	11/2002	Krieger	6,993,875 B2	2/2006	Rudduck	
D467,670 S	12/2002	Krieger	7,665,264 B1 *	2/2010	Wolfe	52/586.2
6,491,172 B2	12/2002	Chance et al.	7,908,807 B2	3/2011	Geilen	
D474,549 S	5/2003	Krieger	7,987,648 B1	8/2011	Ryan	
D477,423 S	7/2003	Campbell et al.	8,006,458 B1 *	8/2011	Olofsson et al.	52/582.1
6,588,165 B1	7/2003	Wright	8,065,846 B2	11/2011	McDonald et al.	
D479,008 S	8/2003	Krieger	8,151,533 B2	4/2012	Krieger	
D482,552 S	11/2003	Campbell et al.	8,151,539 B2	4/2012	Grinsted	
D486,676 S	2/2004	Campbell et al.	8,161,705 B2	4/2012	Pratt	
6,694,694 B2	2/2004	Zeeff	8,322,102 B2	12/2012	Krieger	
			2004/0049999 A1	3/2004	Krieger	
			2010/0050548 A1	3/2010	Krieger	
			2012/0167523 A1	7/2012	Krieger	

* cited by examiner

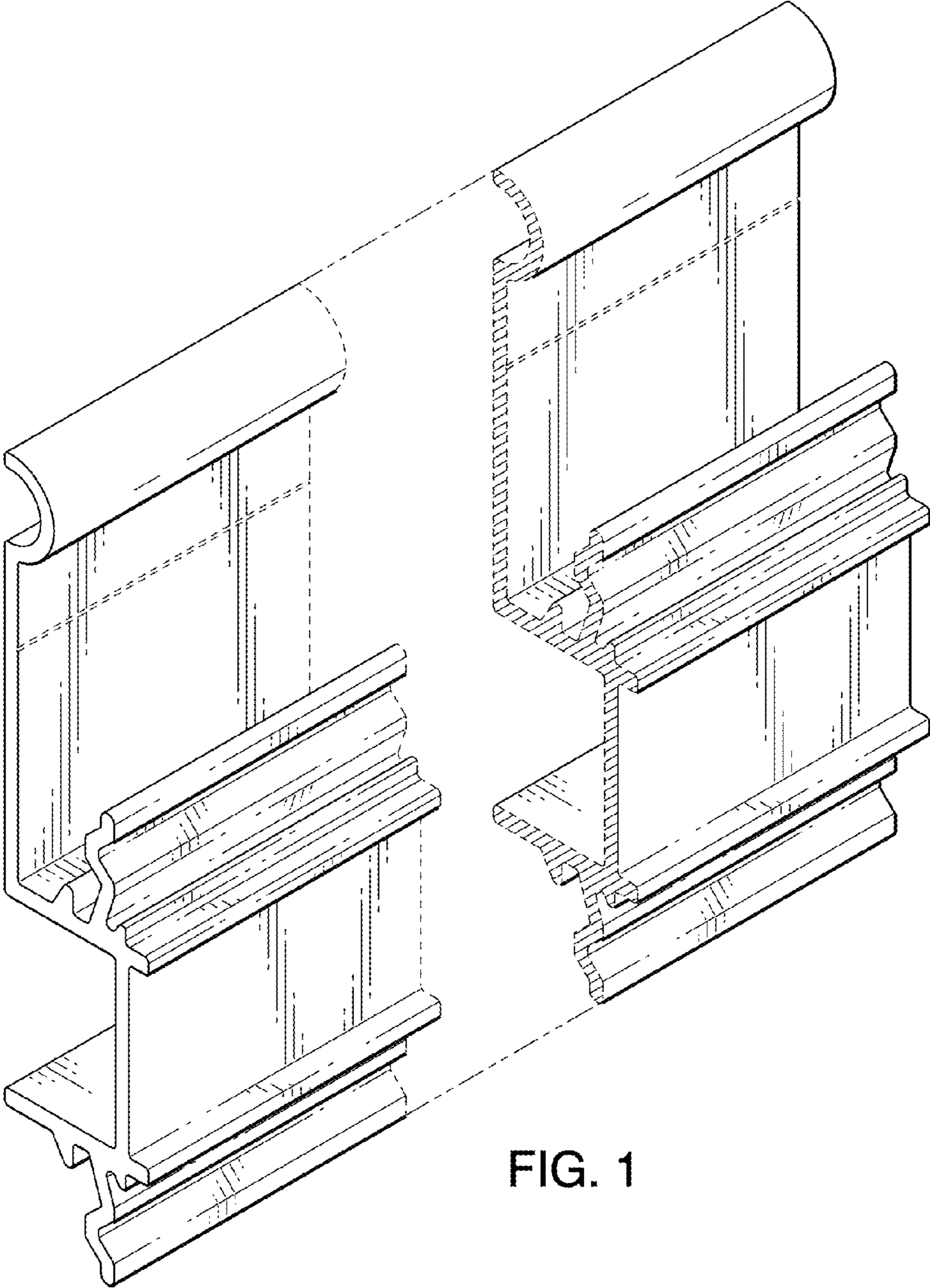


FIG. 1

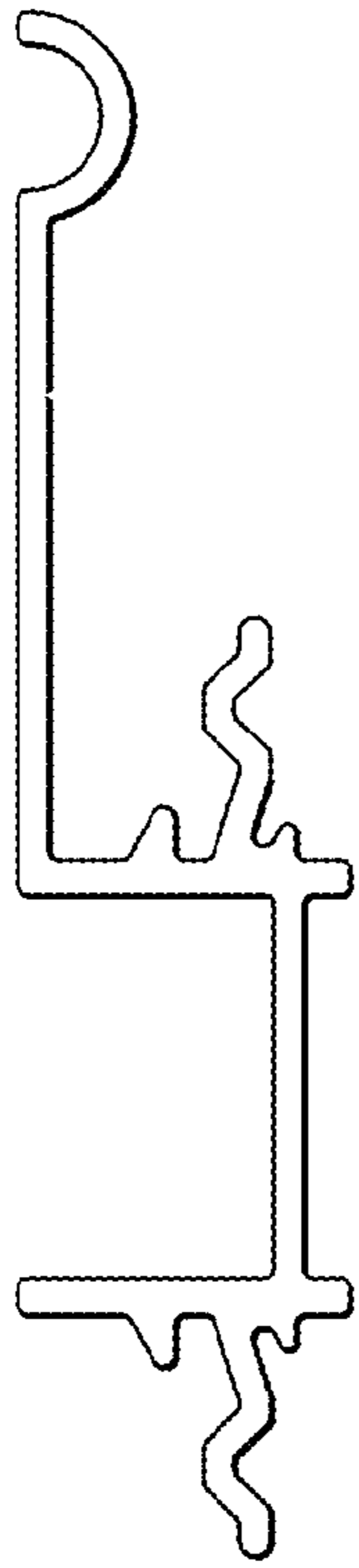


FIG. 2

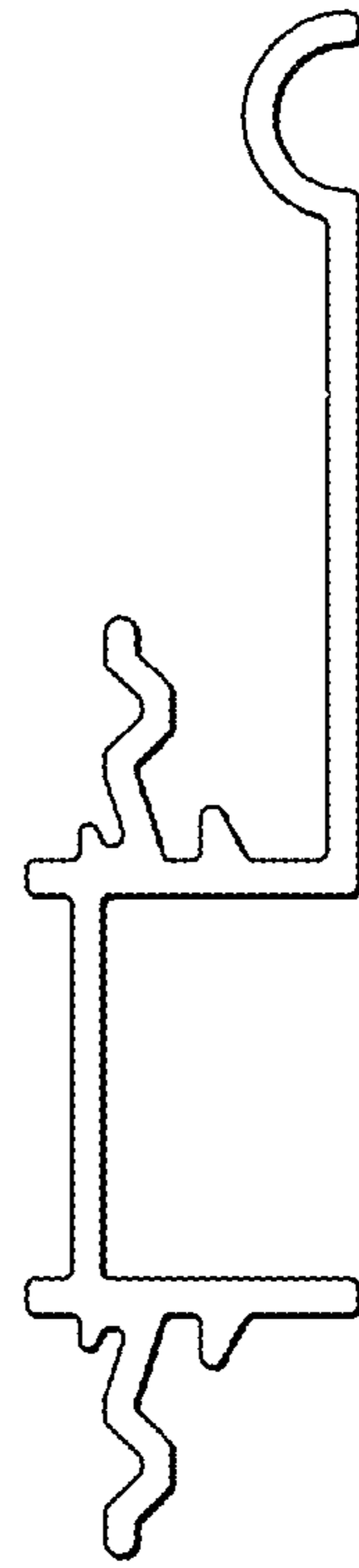


FIG. 3

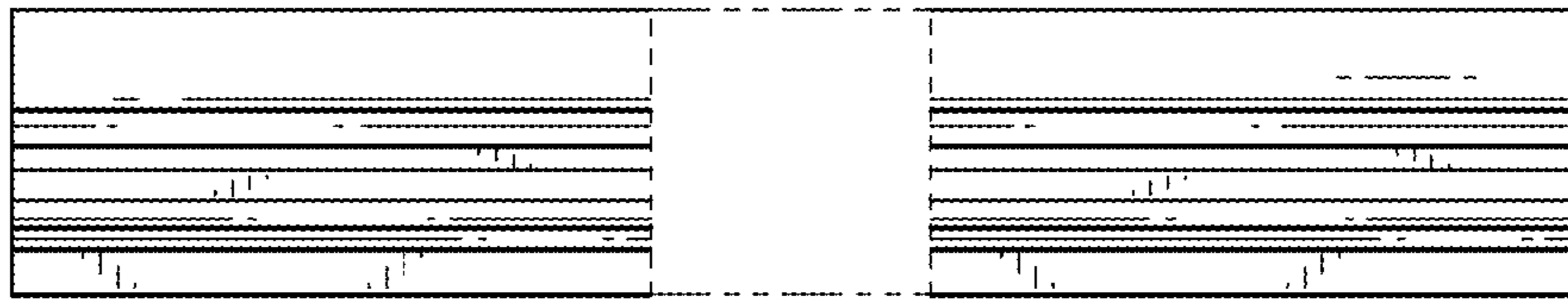


FIG. 4

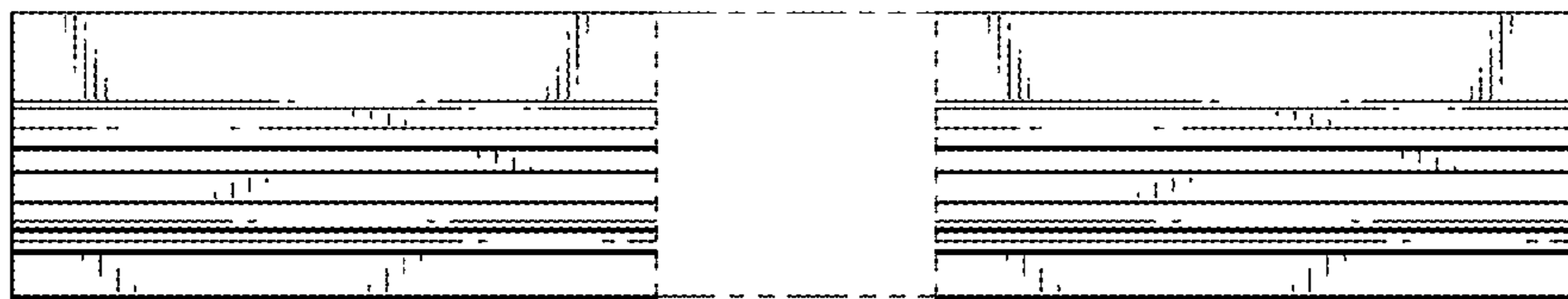


FIG. 5

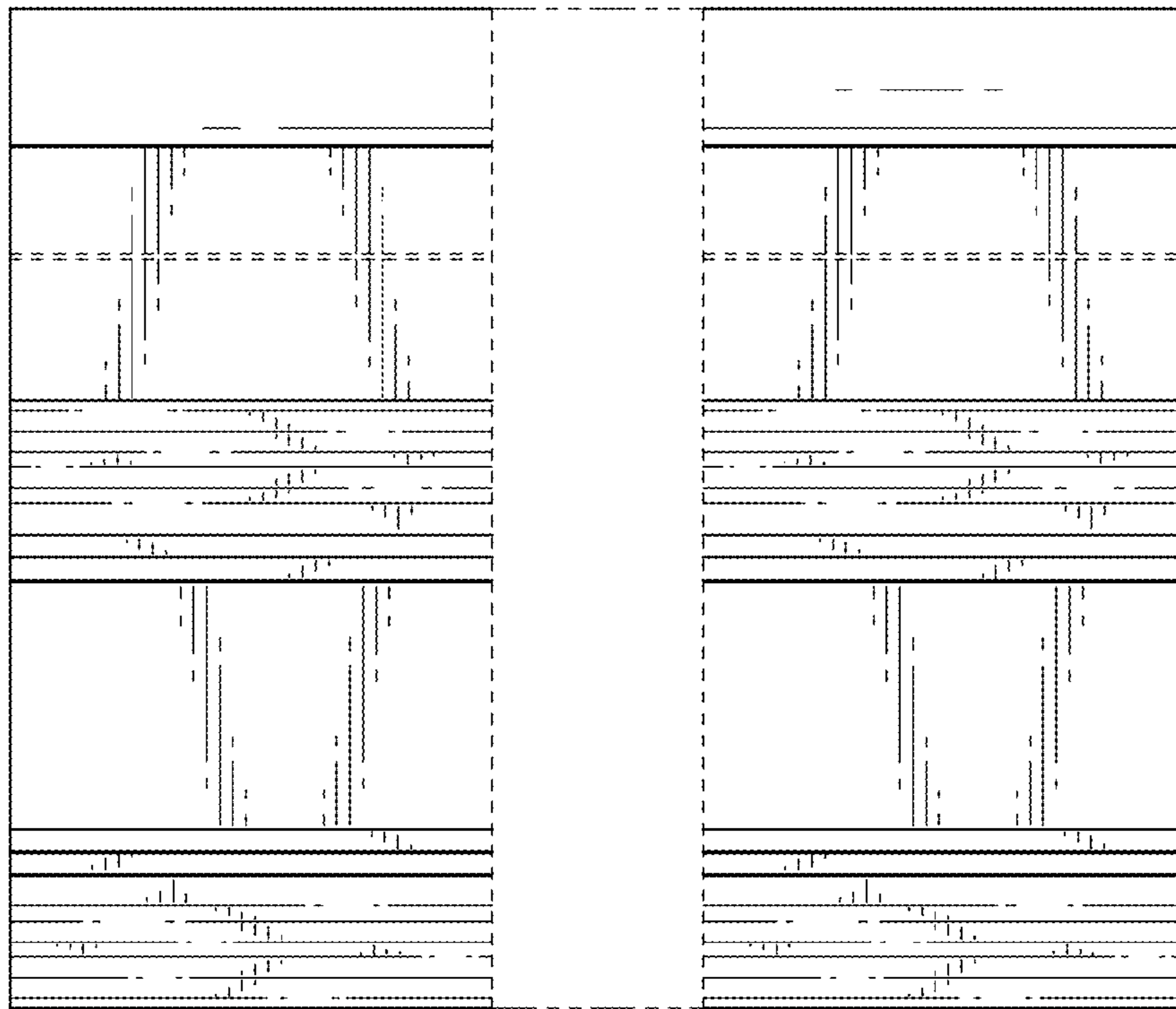


FIG. 6

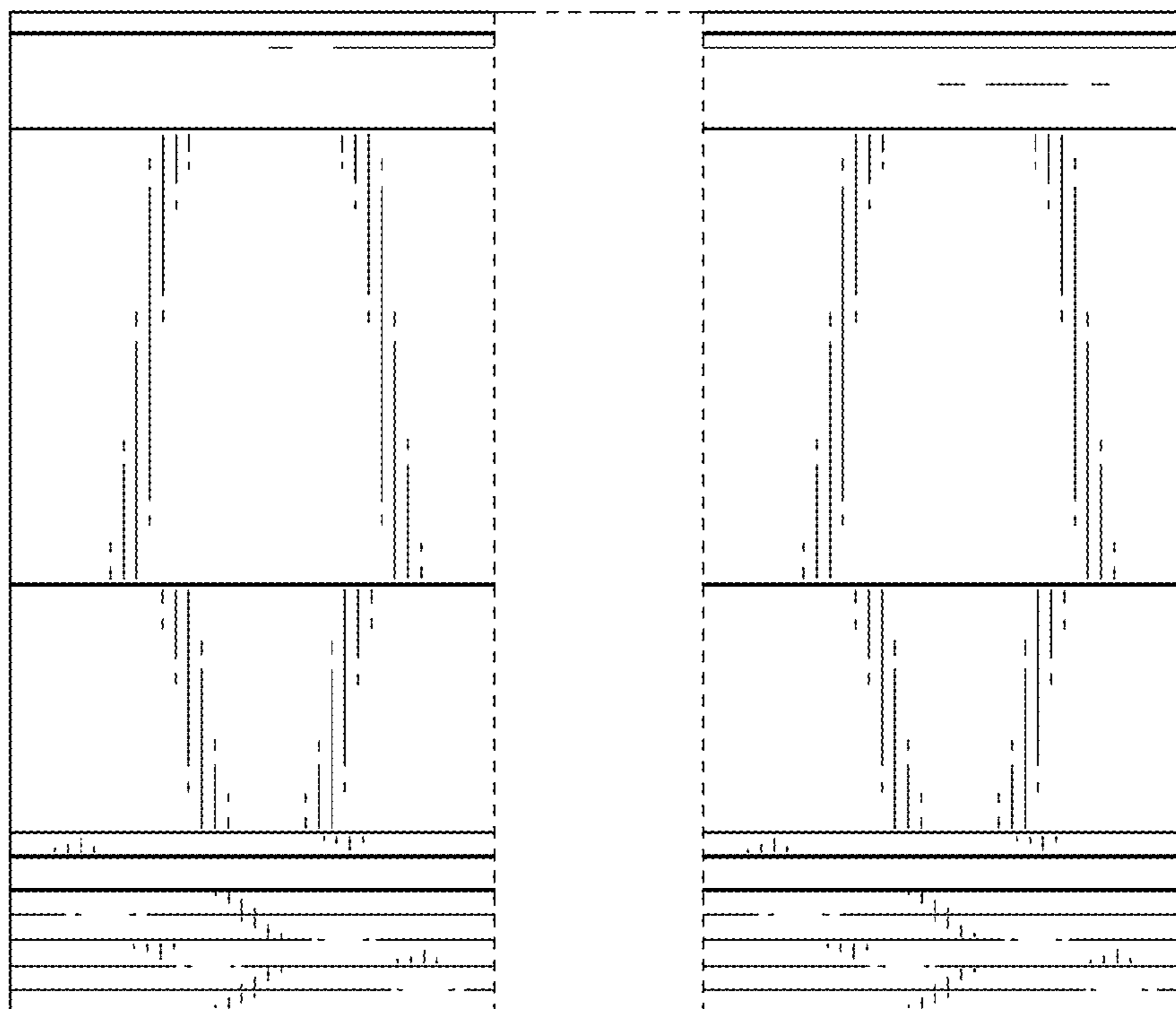


FIG. 7