



US00D695418S

(12) **United States Design Patent**
Updyke et al.

(10) **Patent No.:** **US D695,418 S**

(45) **Date of Patent:** **** Dec. 10, 2013**

(54) **ELECTROPHORESIS APPARATUS**

D315,952 S * 4/1991 Berninger et al. D24/233
5,147,522 A * 9/1992 Sarrine 204/616
5,284,565 A 2/1994 Chu et al.

(75) Inventors: **Timothy Updyke**, Temecula, CA (US);
Paul Predki, Carlsbad, CA (US);
Evangeline Gonzalez, Poway, CA (US);
Randall Lowe, Oakland, CA (US); **Tad**
Simons, Palo Alto, CA (US)

(Continued)

(73) Assignee: **Life Technologies Corporation**,
Carlsbad, CA (US)

FOREIGN PATENT DOCUMENTS

WO WO98/25136 6/1998
WO WO2011/025781 3/2011
WO WO2011/028532 3/2011

(**) Term: **14 Years**

OTHER PUBLICATIONS

(21) Appl. No.: **29/429,757**

BIO-RAD, "Automating electrophoresis with the new Experion (TM) System", *BioRadiations*, vol. 115, Jan. 1, 2005, 2-3.

(22) Filed: **Aug. 16, 2012**

Primary Examiner — Wan Laymon

Related U.S. Application Data

(57) **CLAIM**

(62) Division of application No. 29/388,827, filed on Apr. 1, 2011, now Pat. No. Des. 667,134.

The ornamental design for an electrophoresis apparatus, as shown and described.

(51) **LOC (9) Cl.** **24-01**

DESCRIPTION

(52) **U.S. Cl.**
USPC **D24/233**

(58) **Field of Classification Search**
USPC D24/232-233; D10/81; D14/371;
439/509, 911; 700/266; 204/450-451,
204/456, 461-462, 466, 608, 612, 616, 620,
204/606, 600, 554, 457
See application file for complete search history.

FIG. 1 is a front and side view of an electrophoresis apparatus for performing gel electrophoresis, imaging, and/or analysis, according to our design;
FIG. 2 is a front view of the electrophoresis apparatus of FIG. 1;
FIG. 3 is a back view of the electrophoresis apparatus of FIG. 1;
FIG. 4 is a side view of the electrophoresis apparatus of FIG. 1;
FIG. 5 is a side view of the electrophoresis apparatus of FIG. 1;
FIG. 6 is a top side view of the electrophoresis apparatus of FIG. 1; and,
FIG. 7 is a bottom view of the electrophoresis apparatus of FIG. 1.

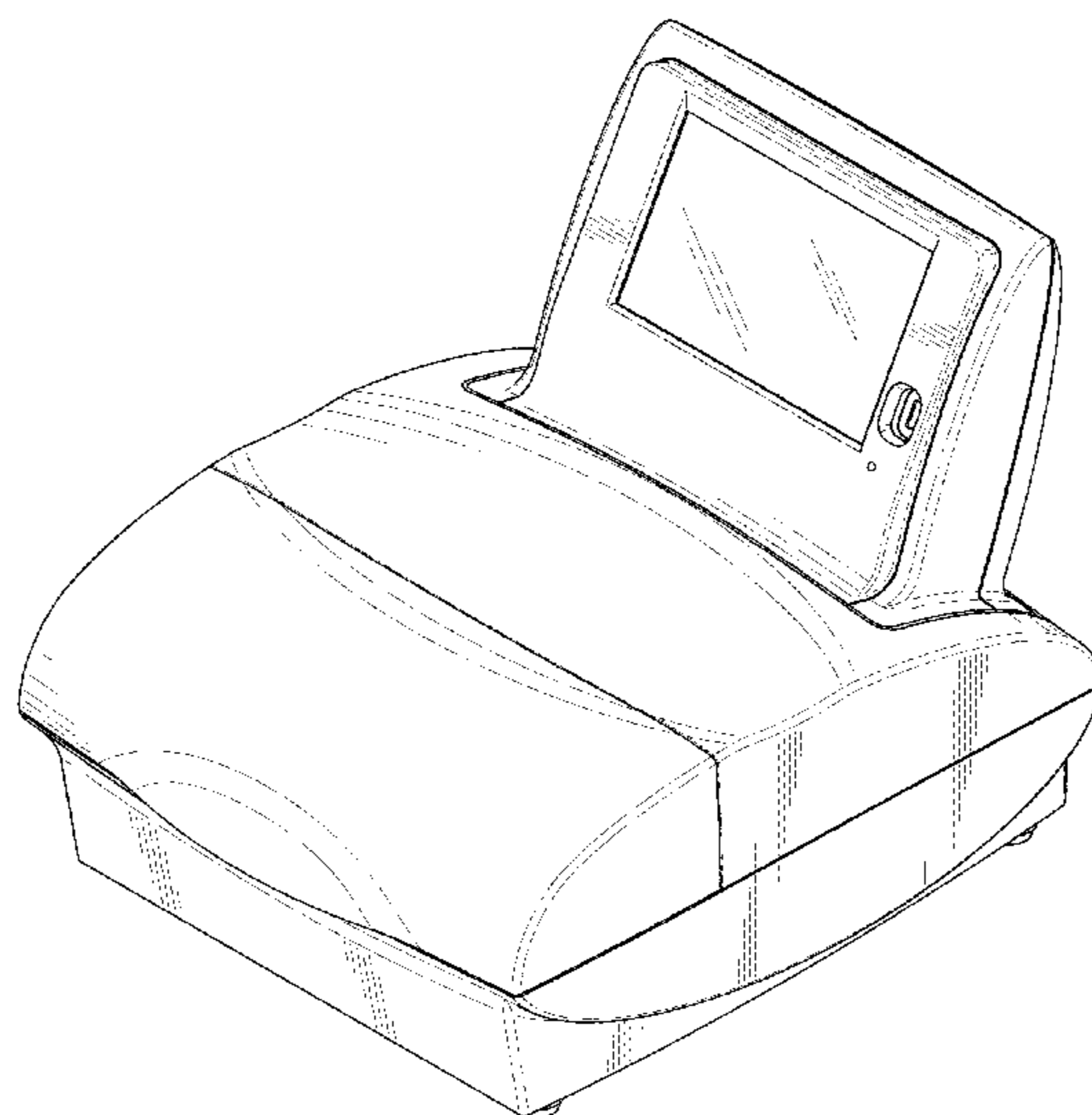
(56) **References Cited**

U.S. PATENT DOCUMENTS

3,620,947 A 11/1971 Allen et al.
D231,609 S * 5/1974 Vanden et al. D24/233
4,164,464 A 8/1979 Allington et al.
D282,352 S 1/1986 Hoefler et al.
4,608,146 A 8/1986 Penaluna
4,773,984 A 9/1988 Flesher et al.
4,810,348 A 3/1989 Sarrine et al.
4,830,725 A 5/1989 Berninger et al.
D303,007 S 8/1989 Flesher et al.

The broken lines shown in the drawings represent portions of the electrophoresis apparatus that form no part of the claimed design.

1 Claim, 7 Drawing Sheets



(56)

References Cited

U.S. PATENT DOCUMENTS

5,318,682 A	6/1994	Singer					
5,626,735 A	5/1997	Chu et al.					
5,627,022 A	5/1997	Renfrew et al.					
5,632,877 A	5/1997	Van Atta					
5,656,145 A	8/1997	Nguyen et al.					
5,685,967 A	11/1997	Manis et al.					
5,717,602 A	2/1998	Kenning					
5,785,835 A	7/1998	Saito et al.					
5,799,773 A	9/1998	Heffelfinger et al.					
5,800,691 A	9/1998	Kozulic					
5,891,314 A	4/1999	Heffelfinger et al.					
5,897,760 A	4/1999	Heffelfinger et al.					
5,949,899 A	9/1999	Ng					
5,951,838 A	9/1999	Heffelfinger et al.					
5,993,628 A	11/1999	Selby et al.					
6,063,250 A	5/2000	Becker et al.					
RE36,826 E	8/2000	Fujimiya et al.					
D430,304 S	8/2000	Oonuma et al.					
6,139,709 A	10/2000	Scott					
6,231,813 B1	5/2001	Ally et al.					
D516,733 S *	3/2006	Pedraza et al.	D24/233				
D524,948 S *	7/2006	Pedraza et al.	D24/233				
				D564,378 S *	3/2008	Kaushal et al.	D10/81
				D564,924 S *	3/2008	Kaushal et al.	D10/81
				D667,134 S	9/2012	Updyke et al.	
				2002/0079222 A1	6/2002	Sevigny et al.	
				2003/0157720 A1	8/2003	Li	
				2003/0168339 A1	9/2003	Audeh et al.	
				2003/0207271 A1	11/2003	Holwitt et al.	
				2004/0033591 A1	2/2004	Lubman et al.	
				2004/0036036 A1	2/2004	Atkinson et al.	
				2005/0089930 A1	4/2005	Schneider et al.	
				2005/0103633 A1	5/2005	Tseng	
				2005/0213093 A1	9/2005	Nordman et al.	
				2006/0032747 A1	2/2006	Anderson et al.	
				2006/0176461 A1	8/2006	Sekine	
				2006/0176481 A1	8/2006	Forest et al.	
				2007/0045118 A1	3/2007	Maruo et al.	
				2007/0102298 A1	5/2007	Riveron Rojas et al.	
				2007/0278102 A1	12/2007	Hayashida et al.	
				2007/0284250 A1	12/2007	Magnant et al.	
				2008/0142365 A1	6/2008	Kober et al.	
				2008/0272002 A1	11/2008	Johansen et al.	
				2011/0042213 A1 *	2/2011	Updyke et al.	204/461
				2011/0042217 A1	2/2011	Updyke et al.	
				2011/0114487 A1	5/2011	Schmidt et al.	
				2012/0247958 A1 *	10/2012	Updyke et al.	204/457

* cited by examiner

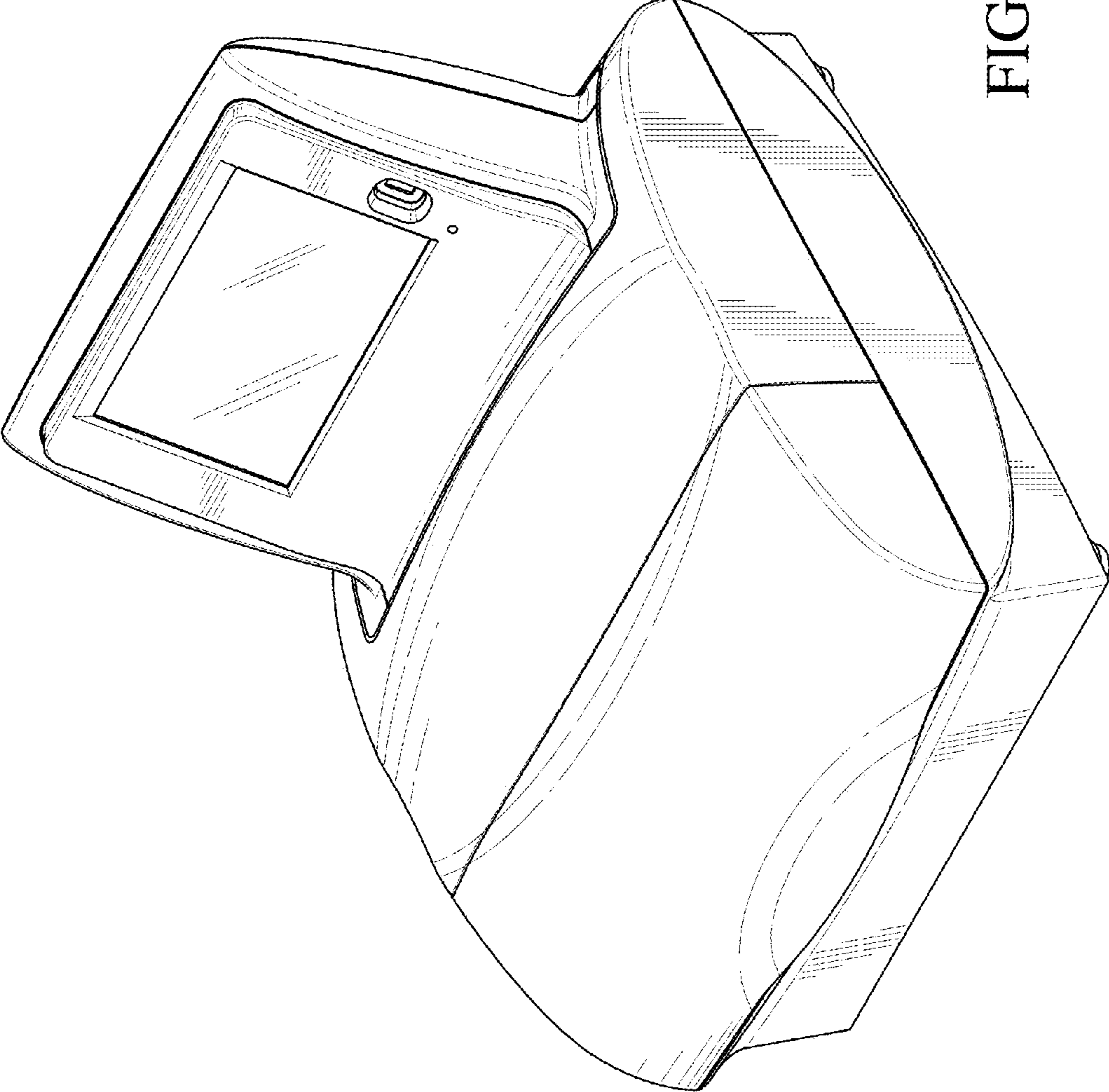


FIG. 1

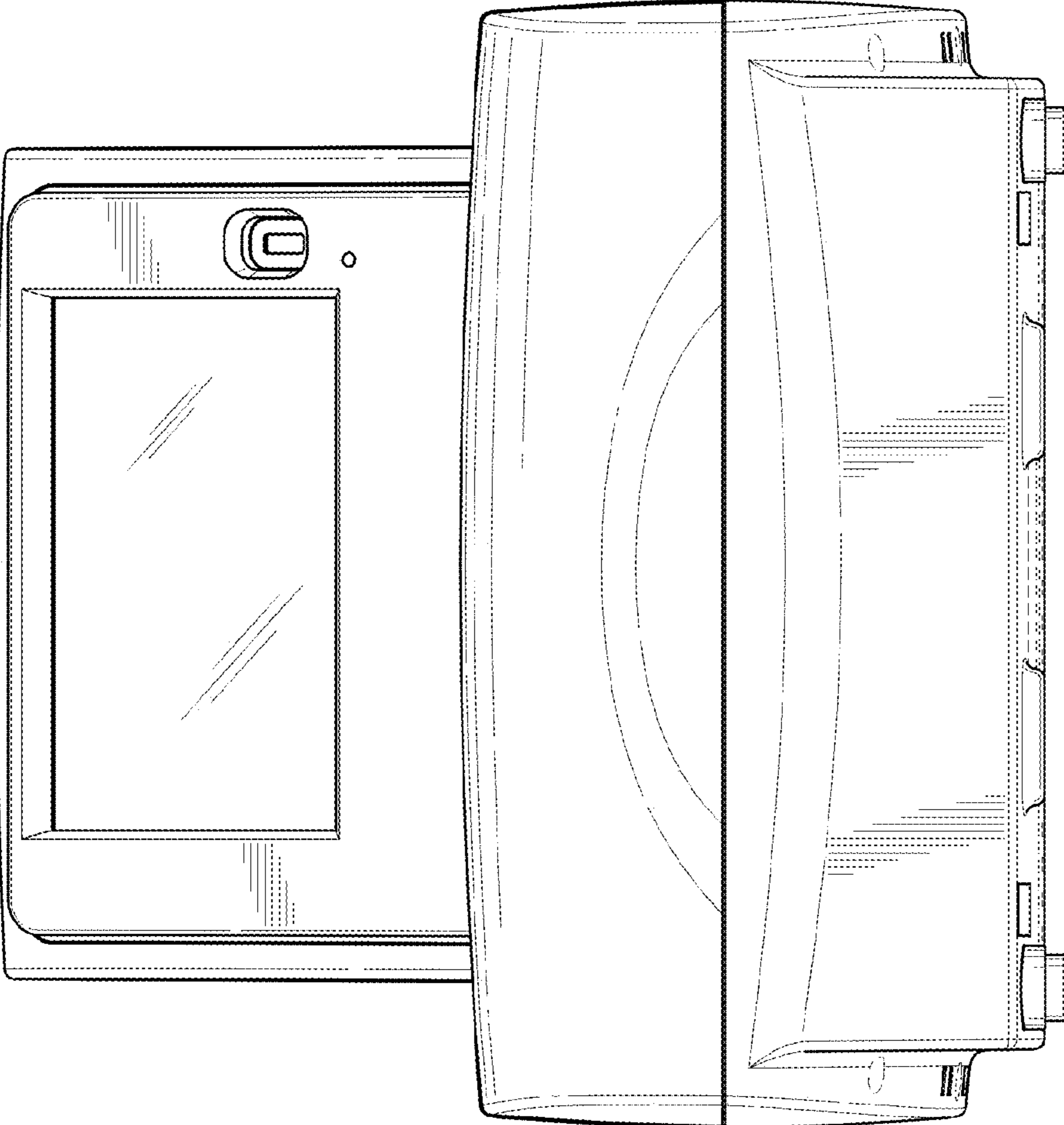


FIG. 2

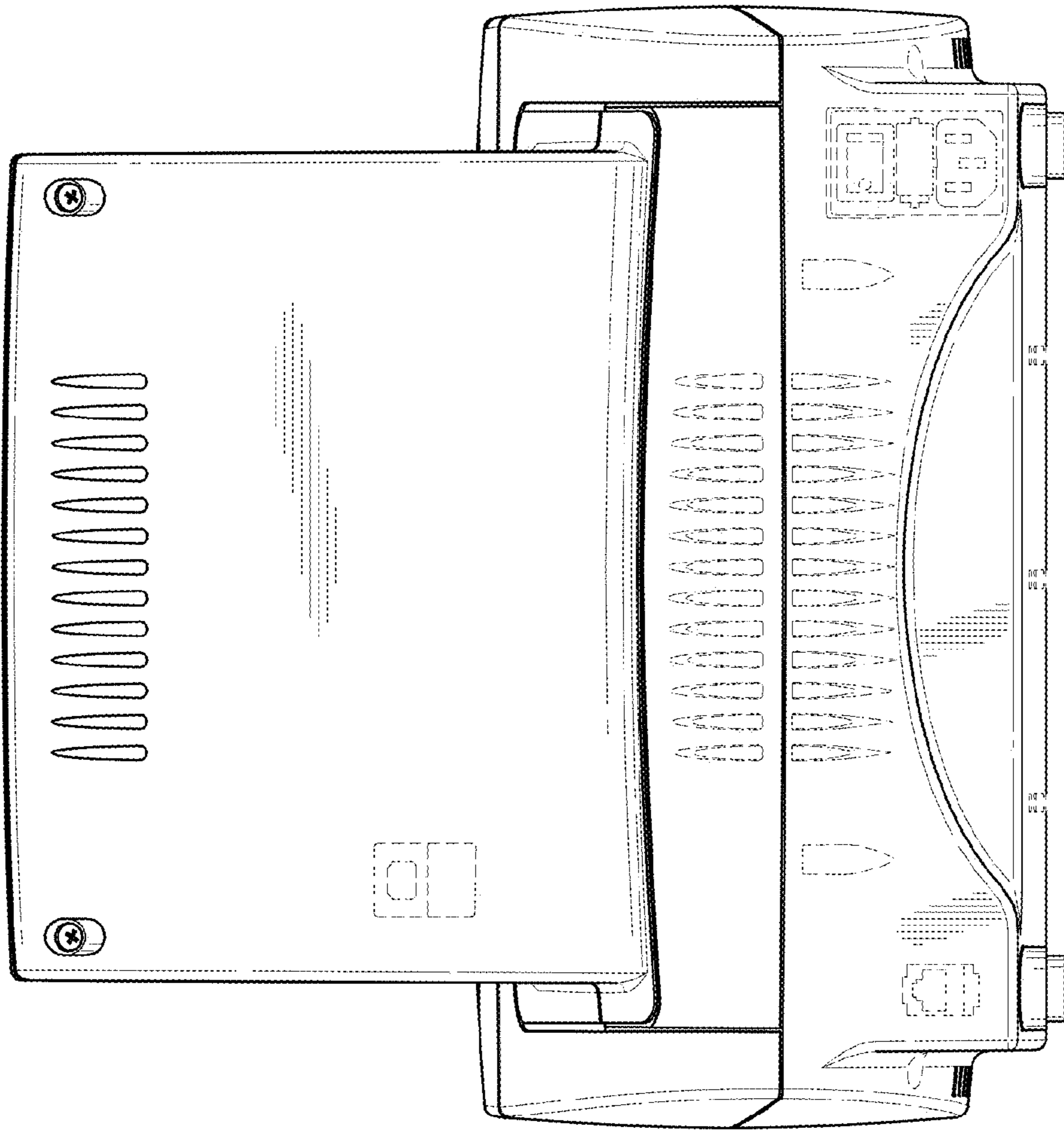


FIG. 3

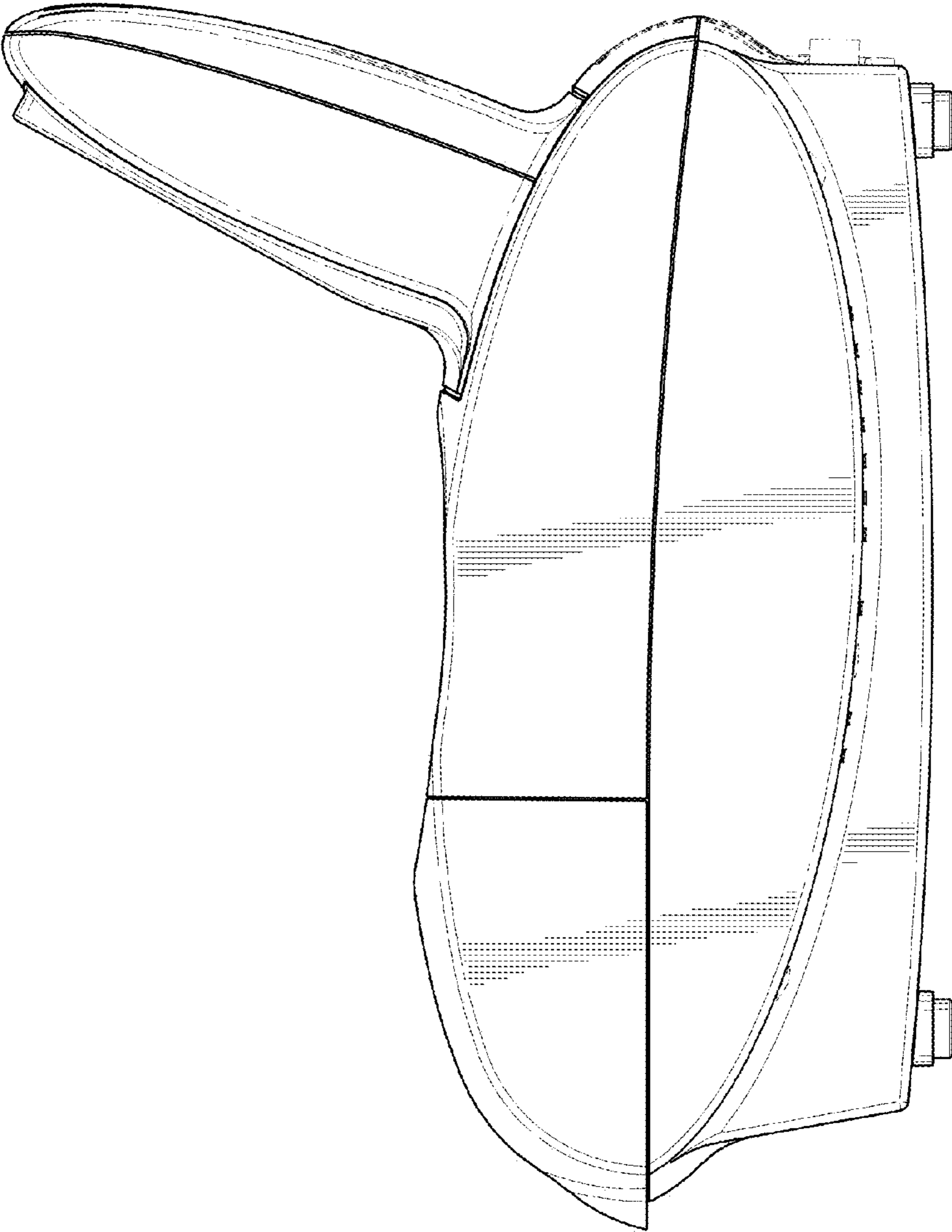


FIG. 4

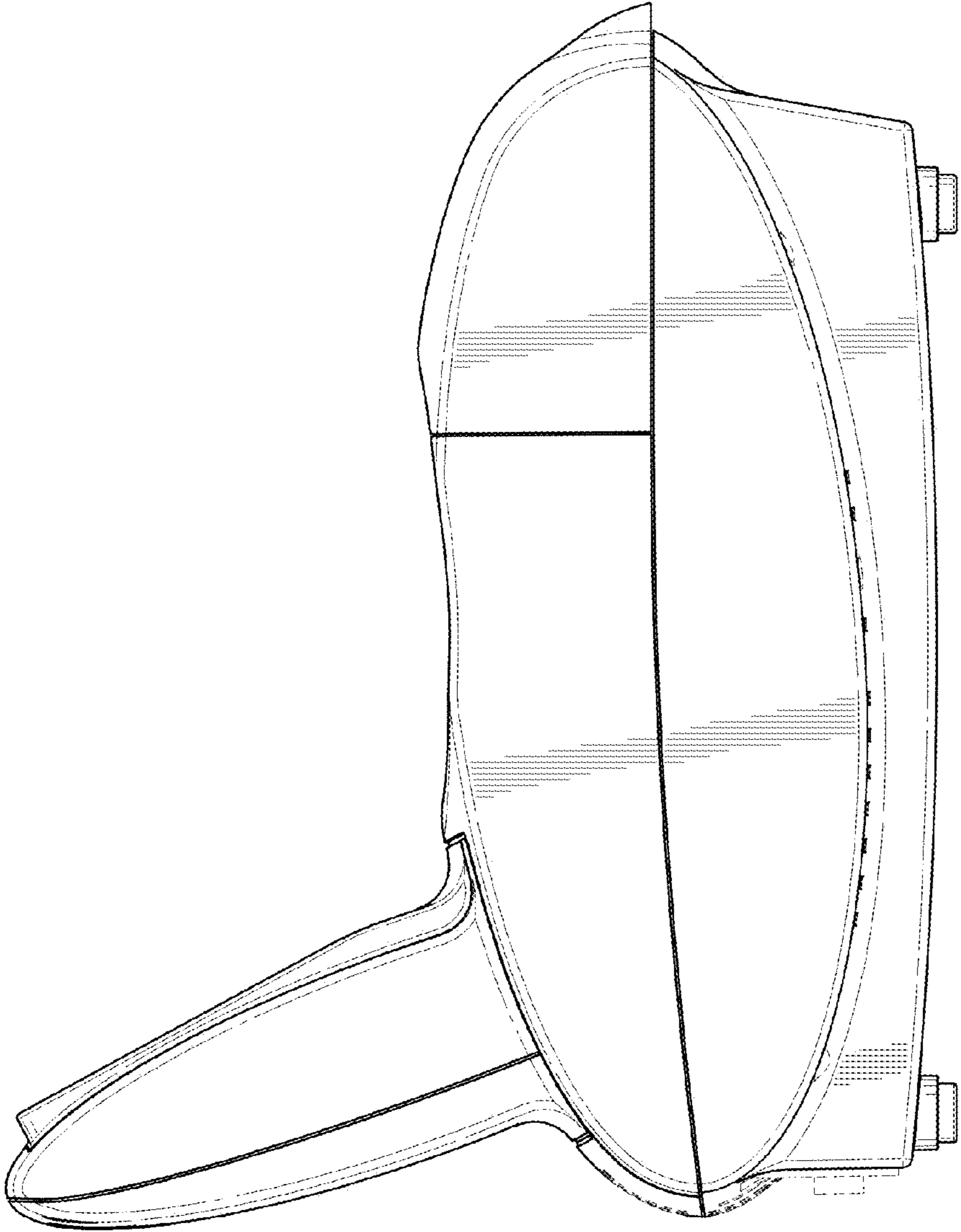


FIG. 5

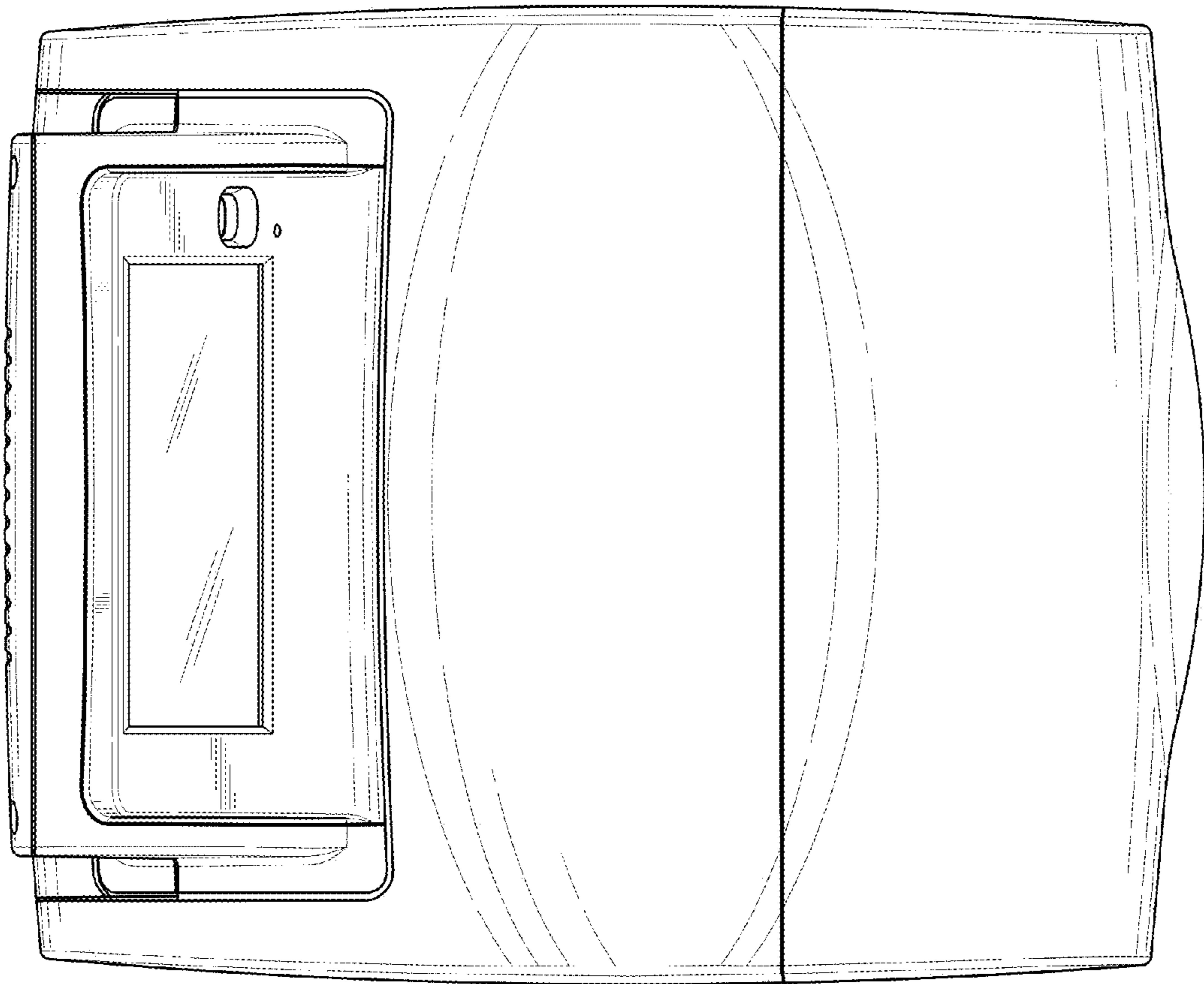


FIG. 6

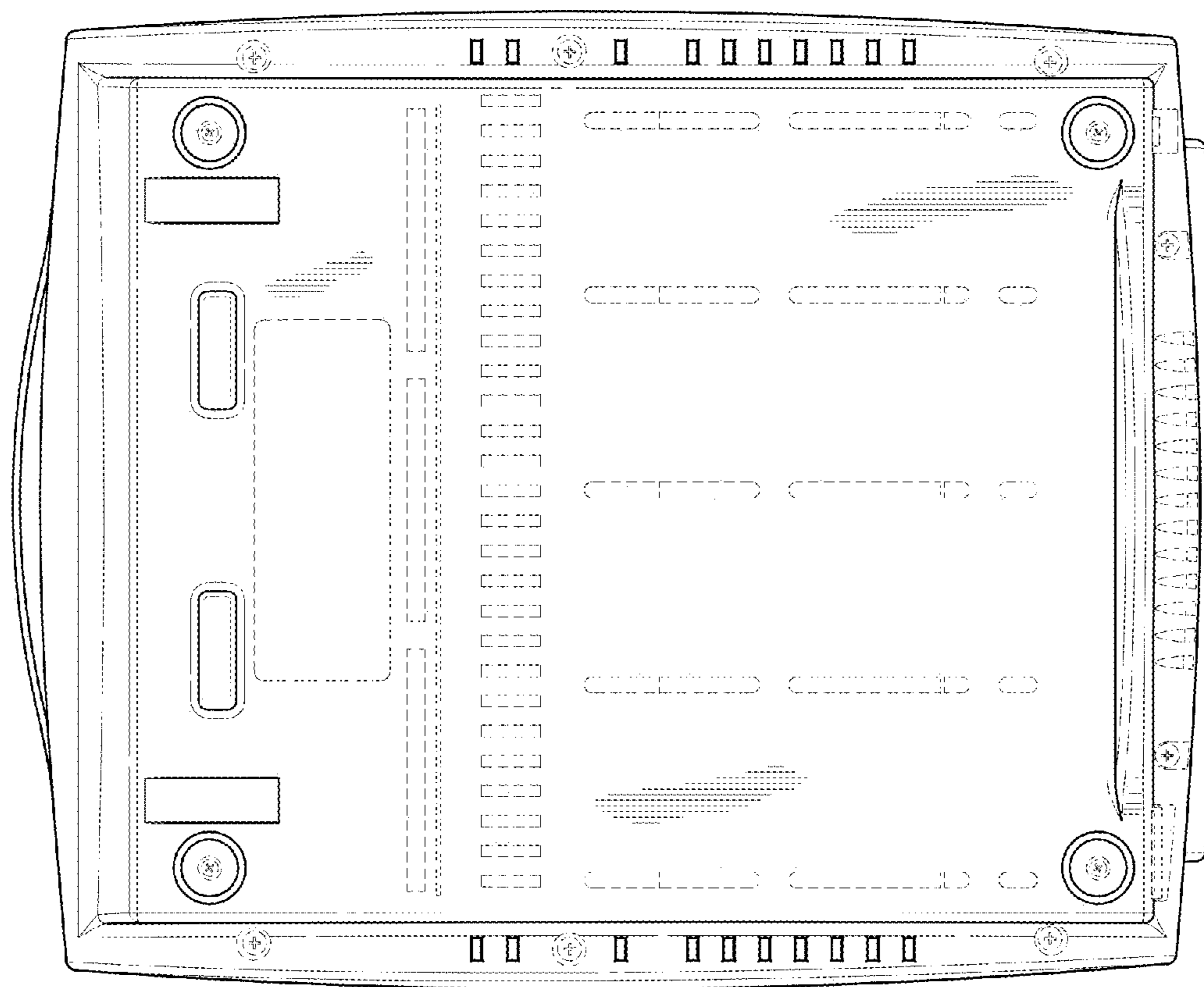


FIG. 7