

US00D695415S

(12) **United States Design Patent**  
**Hwang et al.**

(10) **Patent No.:** **US D695,415 S**

(45) **Date of Patent:** **\*\* Dec. 10, 2013**

(54) **BLOOD SEPARATION APPARATUS**

(71) Applicant: **Rev-Med, Inc.**, Sungnam (KR)

(72) Inventors: **Seok Hyun Hwang**, Suwon-si (KR);  
**Bong Geun Shin**, Yongin-si (KR)

(73) Assignee: **Rev-Med, Inc.**, Sungnam, Gyeonggi-Do  
(KR)

(\*\*) Term: **14 Years**

(21) Appl. No.: **29/437,892**

(22) Filed: **Nov. 21, 2012**

(51) **LOC (9) Cl.** ..... **24-01**

(52) **U.S. Cl.**  
USPC ..... **D24/219**

(58) **Field of Classification Search**  
USPC ..... D24/216–217, 219, 223–226, 227,  
D24/229–231, 232, 107, 121–123, 162;  
D10/81; 422/500, 547, 554, 556;  
435/288.1, 304.1, 304.3; D9/500, 516,  
D9/519–521, 545, 549, 558; 494/9, 11, 12,  
494/20, 84

See application file for complete search history.

(56) **References Cited**

**U.S. PATENT DOCUMENTS**

D278,653 S \* 4/1985 Savitz et al. .... D24/219  
4,761,379 A \* 8/1988 Williams et al. .... 600/573  
5,071,766 A \* 12/1991 Barr et al. .... 435/304.1

D332,144 S \* 12/1992 Mann ..... D24/224  
5,422,273 A \* 6/1995 Garrison et al. .... 435/307.1  
D367,114 S \* 2/1996 Wilson et al. .... D24/224  
D384,415 S \* 9/1997 Maloney et al. .... D24/162  
5,859,374 A \* 1/1999 Mink et al. .... 73/863  
D427,691 S \* 7/2000 Asselta ..... D24/224  
6,401,552 B1 \* 6/2002 Elkins ..... 73/863  
7,829,022 B1 \* 11/2010 Lich ..... 422/72  
D632,801 S \* 2/2011 Kyle et al. .... D24/219  
8,048,678 B2 \* 11/2011 Duffy et al. .... 436/70  
2007/0004577 A1 \* 1/2007 Lederer ..... 494/20  
2012/0128552 A1 \* 5/2012 Chapman et al. .... 422/548

\* cited by examiner

*Primary Examiner* — Anhdao Doan

(74) *Attorney, Agent, or Firm* — Kile Park Reed &  
Houtteman PLLC

(57) **CLAIM**

I claim, the ornamental design for a blood separation apparatus, as shown and described.

**DESCRIPTION**

FIG. 1 is a top and front perspective view of a blood separation apparatus, showing my new design;  
FIG. 2 is a front view thereof;  
FIG. 3 is a rear view thereof;  
FIG. 4 is a left side view thereof;  
FIG. 5 is a right side view thereof;  
FIG. 6 is a top plan view thereof; and,  
FIG. 7 is a bottom plan view thereof.  
The broken lines shown in the drawings are for illustrative purposes only and form no part of the claimed design.

**1 Claim, 7 Drawing Sheets**

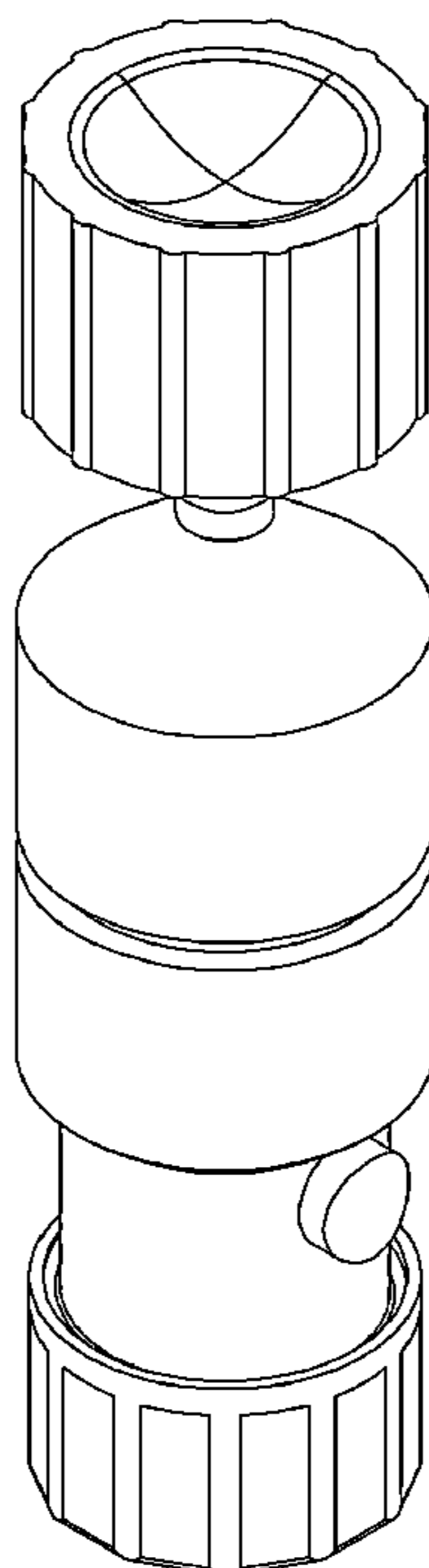


Fig. 1

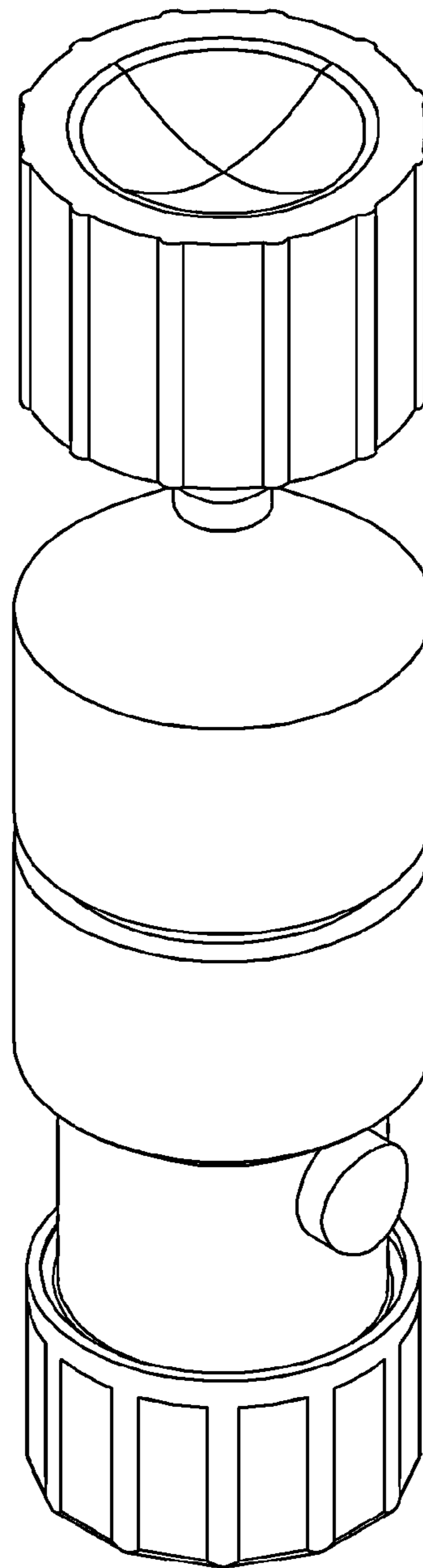


Fig. 2

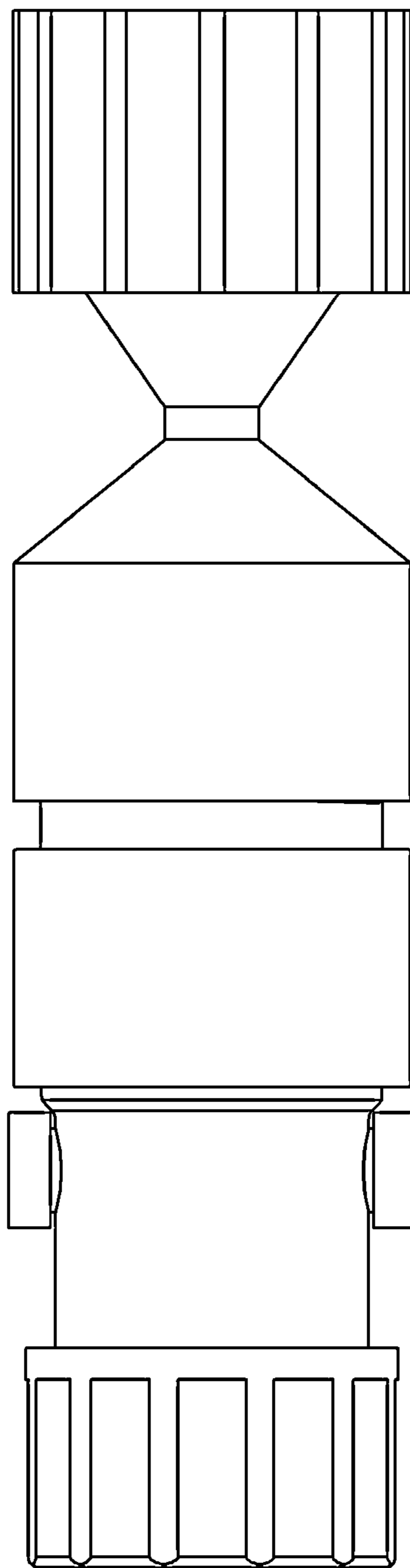


Fig. 3

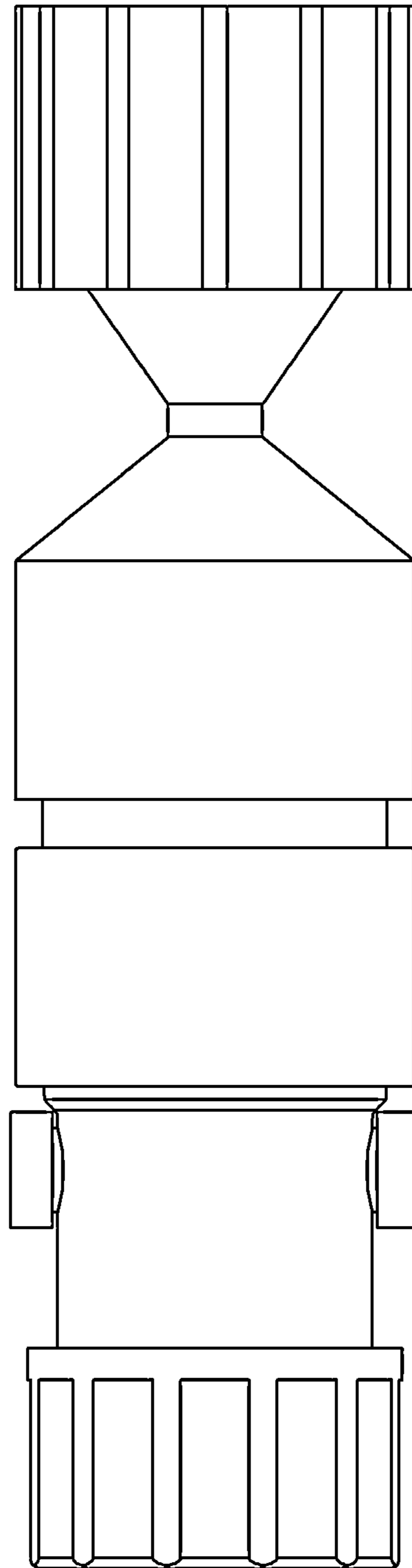


Fig. 4

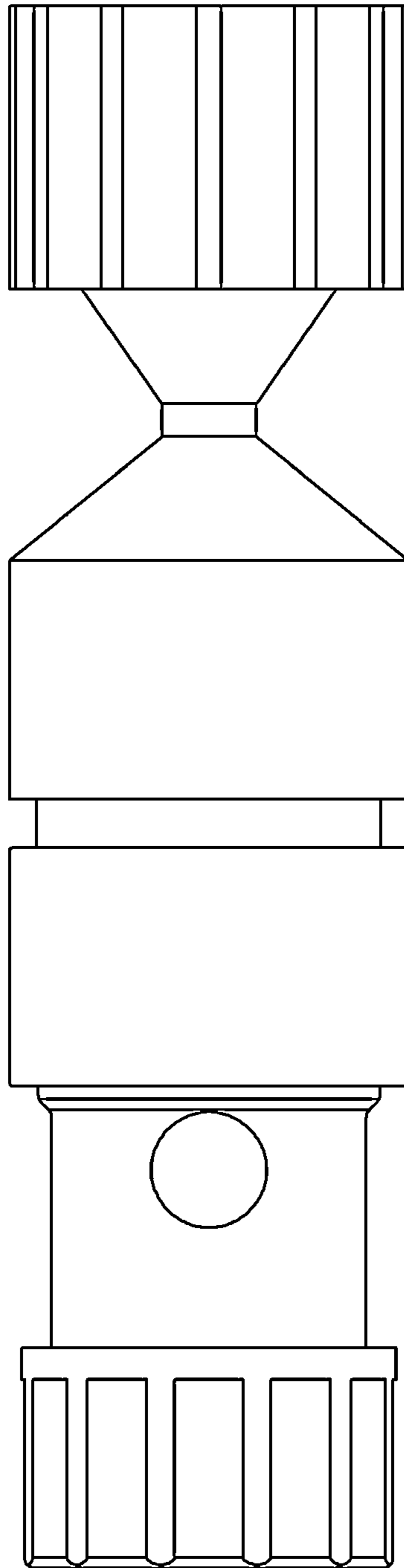


Fig. 5

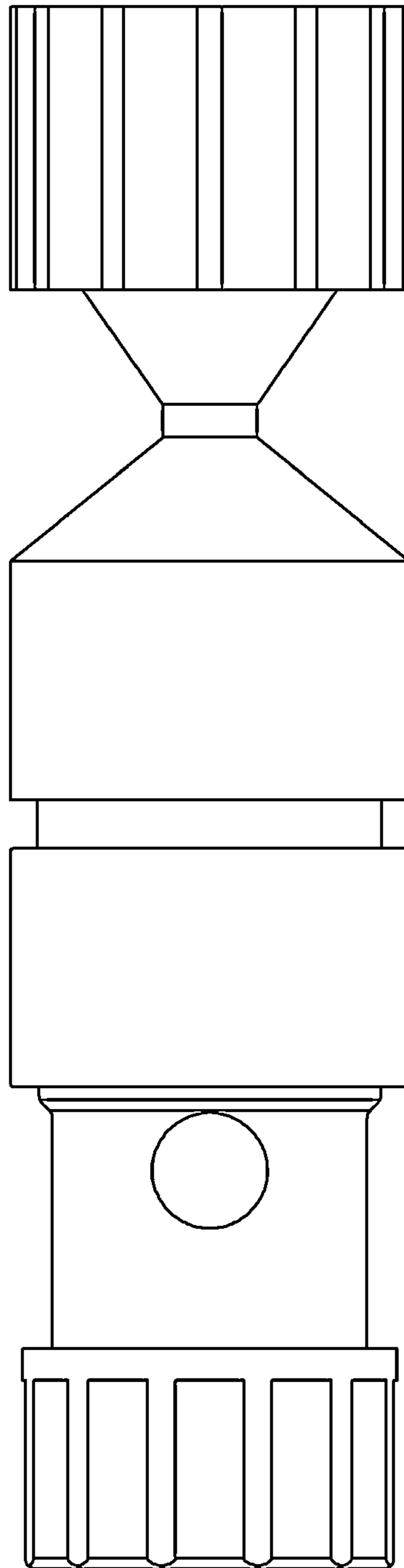


Fig. 6

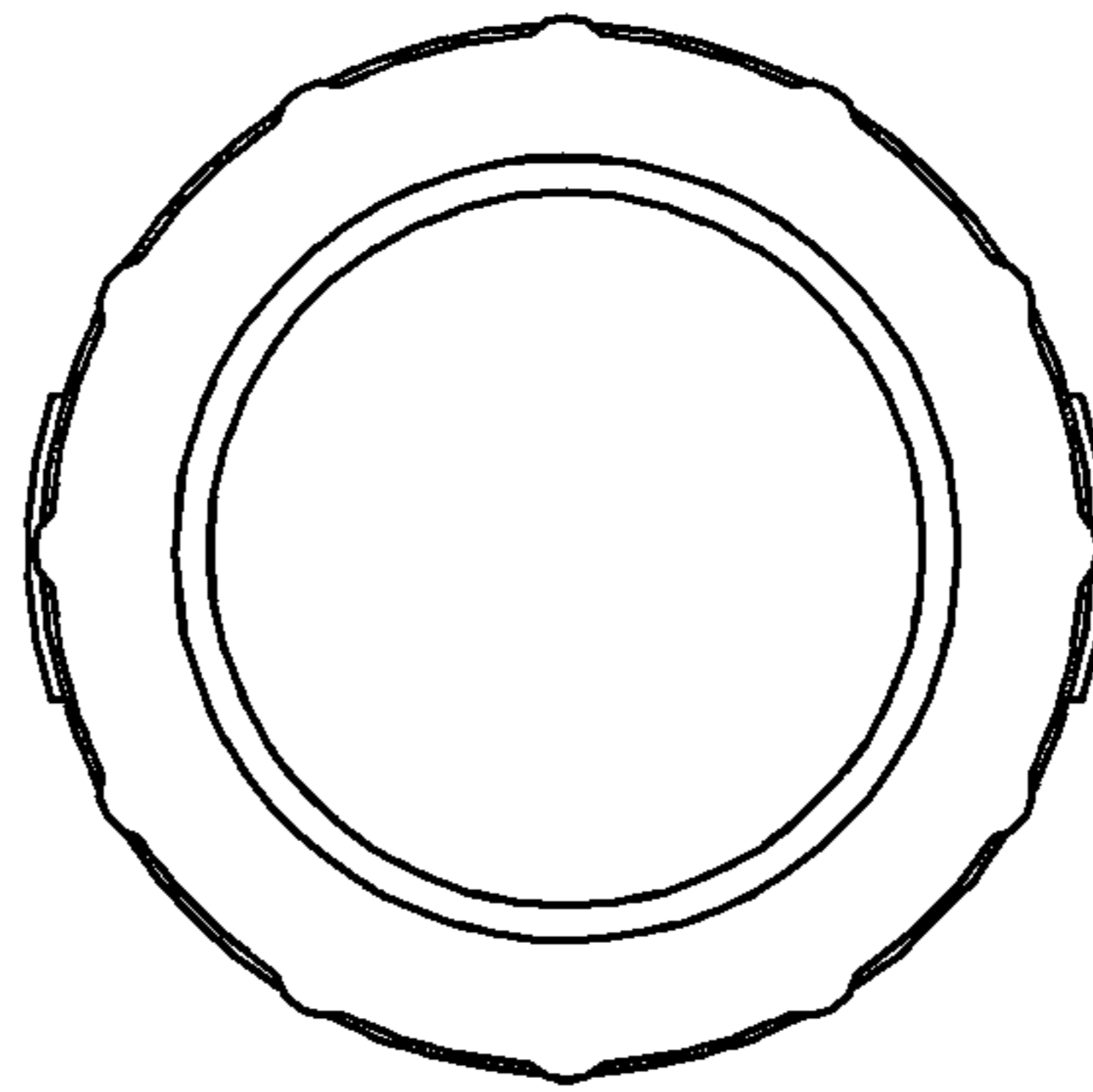


Fig. 7

