

US00D695413S

(12) **United States Design Patent**  
**Grust et al.**

(10) **Patent No.:** **US D695,413 S**

(45) **Date of Patent:** **\*\* Dec. 10, 2013**

- (54) **MASSAGE THERAPY DEVICE**
- (76) Inventors: **Dale Montelione Grust**, New Paltz, NY (US); **Jessica Jones**, Schuyler, VA (US)
- (\*\*) Term: **14 Years**
- (21) Appl. No.: **29/415,379**
- (22) Filed: **Mar. 9, 2012**
- (51) **LOC (9) Cl.** ..... **28-03**
- (52) **U.S. Cl.**  
USPC ..... **D24/214**
- (58) **Field of Classification Search**  
USPC ..... D24/200, 211–215, 141; 601/27, 28, 601/33, 40, 46, 47, 48, 63, 80, 99, 104, 112, 601/113, 114, 119, 122, 125, 129, 134, 135, 601/137, DIG. 12, DIG. 13, DIG. 14, 601/DIG. 15, DIG. 16, DIG. 17  
See application file for complete search history.

- D451,564 S \* 12/2001 Dean ..... D21/684
- 6,749,557 B2 \* 6/2004 Garland ..... 600/38
- D499,811 S \* 12/2004 Nan ..... D24/215
- 7,137,926 B2 11/2006 Barrows
- D539,432 S \* 3/2007 Nan ..... D24/215
- D560,810 S 1/2008 Hennessy
- D563,557 S \* 3/2008 Fink ..... D24/200
- D586,469 S 2/2009 Henry
- D592,313 S \* 5/2009 Levine ..... D24/214
- D623,310 S \* 9/2010 Cheng ..... D24/211
- D630,761 S \* 1/2011 Marshall ..... D24/215
- D636,888 S \* 4/2011 Nikitczuk et al. .... D24/215
- 7,918,774 B2 4/2011 Dye
- D639,442 S \* 6/2011 Chandler ..... D24/190

(Continued)

*Primary Examiner* — Sandra Snapp  
(74) *Attorney, Agent, or Firm* — J.A. Lindeman & Co., PLLC

(57) **CLAIM**  
The ornamental design for a massage therapy device, as shown and described.

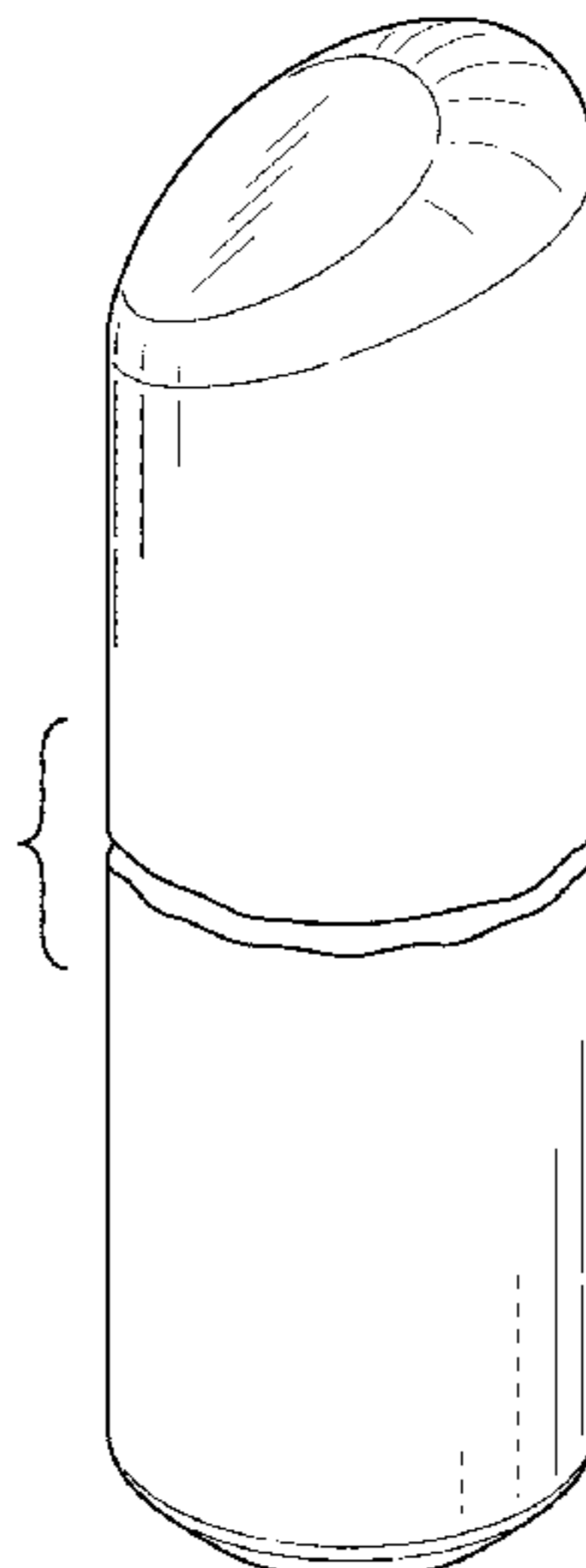
(56) **References Cited**  
U.S. PATENT DOCUMENTS

D197,889 S	4/1964	Hass	
3,451,391 A *	6/1969	Tavel	601/72
D237,313 S	10/1975	Harris	
D277,983 S	3/1985	Kaminski	
4,705,030 A	11/1987	Tepperberg	
4,807,603 A *	2/1989	Yasui	601/121
D338,964 S	8/1993	Tarjoto	
5,251,620 A	10/1993	Boucher et al.	
5,478,988 A	12/1995	Hughes et al.	
D374,484 S	10/1996	Haynes	
D375,167 S	10/1996	Taylor	
D386,879 S	11/1997	Daniels	
D390,966 S *	2/1998	Huang	D24/211
5,843,005 A	12/1998	Chubinsky	
D426,311 S *	6/2000	Horowitz et al.	D24/215
D429,819 S *	8/2000	Coolidge	D24/215
D439,984 S *	4/2001	Thach	D24/215

**DESCRIPTION**

FIG. 1 is a perspective view of our massage therapy device; FIG. 2 is a front view of the massage therapy device of FIG. 1; FIG. 3 is a back view of the massage therapy device of FIG. 1; FIG. 4 is a right side view (the left side view being a mirror image) of the massage therapy device of FIG. 1; FIG. 5 is a top view of the massage therapy device of FIG. 1; and, FIG. 6 is a bottom view of the massage therapy device of FIG. 1.  
The article is shown with a symbolic break in its length. The appearance of any portion of the article between the break lines forms no part of the claimed design.

**1 Claim, 2 Drawing Sheets**



(56)

**References Cited**

U.S. PATENT DOCUMENTS

D652,527 S \* 1/2012 Marshall ..... D24/215  
2003/0114781 A1 6/2003 Beaty et al.  
2006/0155225 A1 7/2006 Murdock et al.

2008/0004554 A1 1/2008 Smith  
2008/0027364 A1 1/2008 Moutray  
2010/0320188 A1 12/2010 Gallagher  
2011/0245741 A1 10/2011 L'Homme et al.

\* cited by examiner

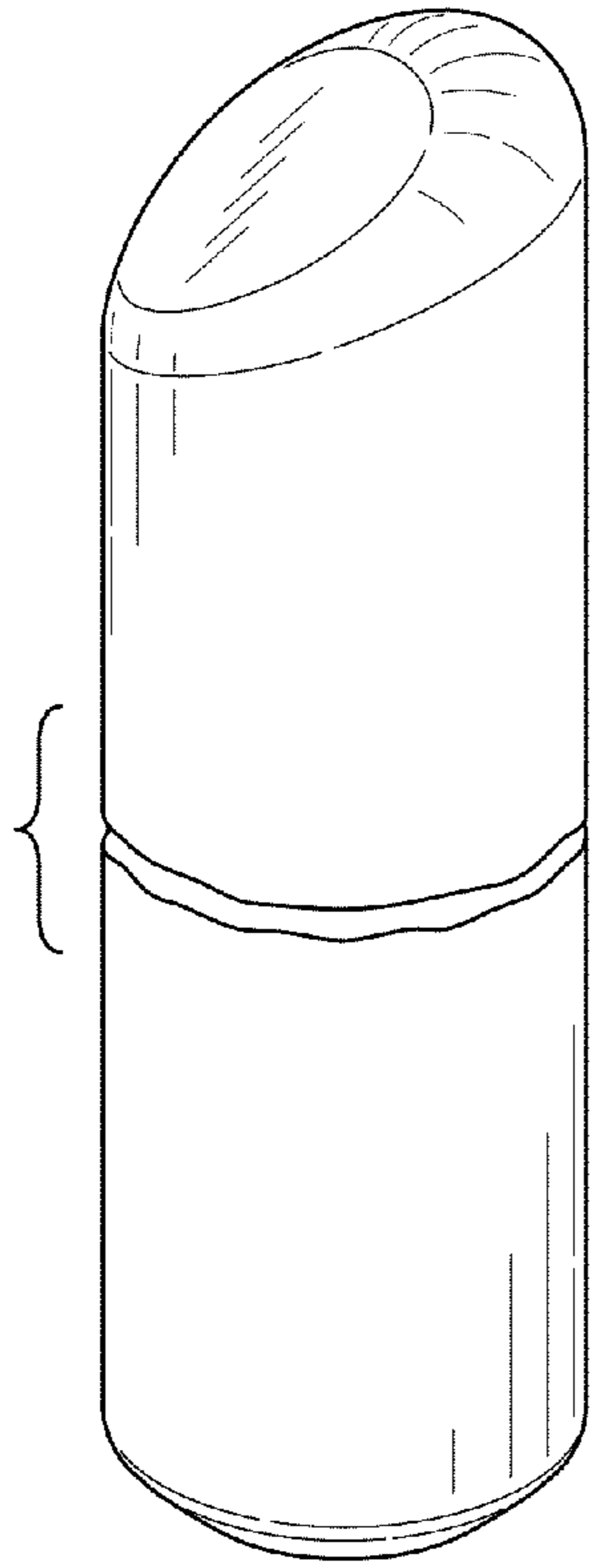


FIG. 1

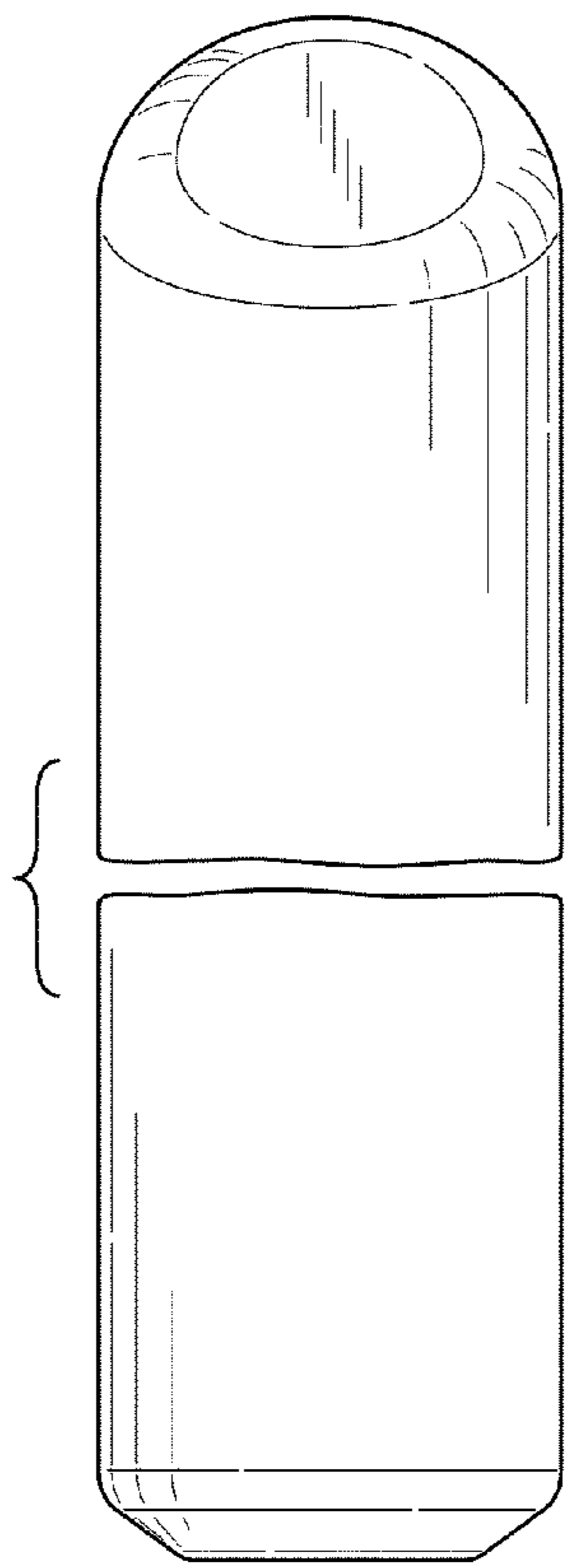


FIG. 2

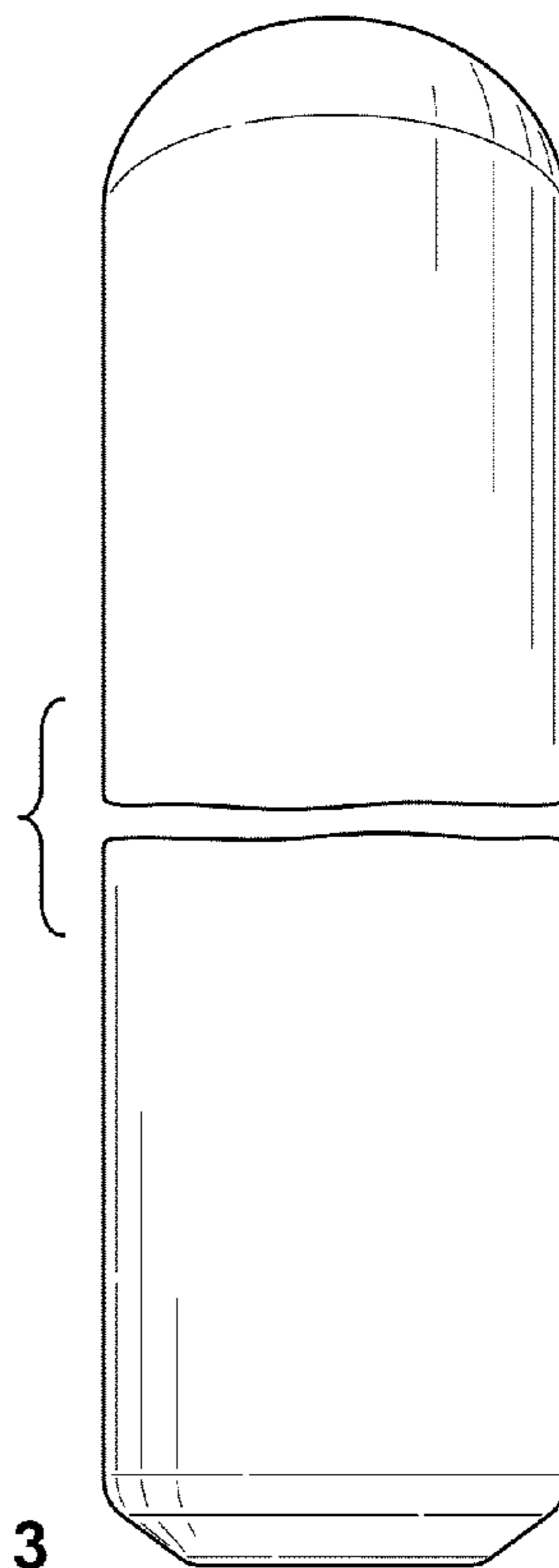


FIG. 3

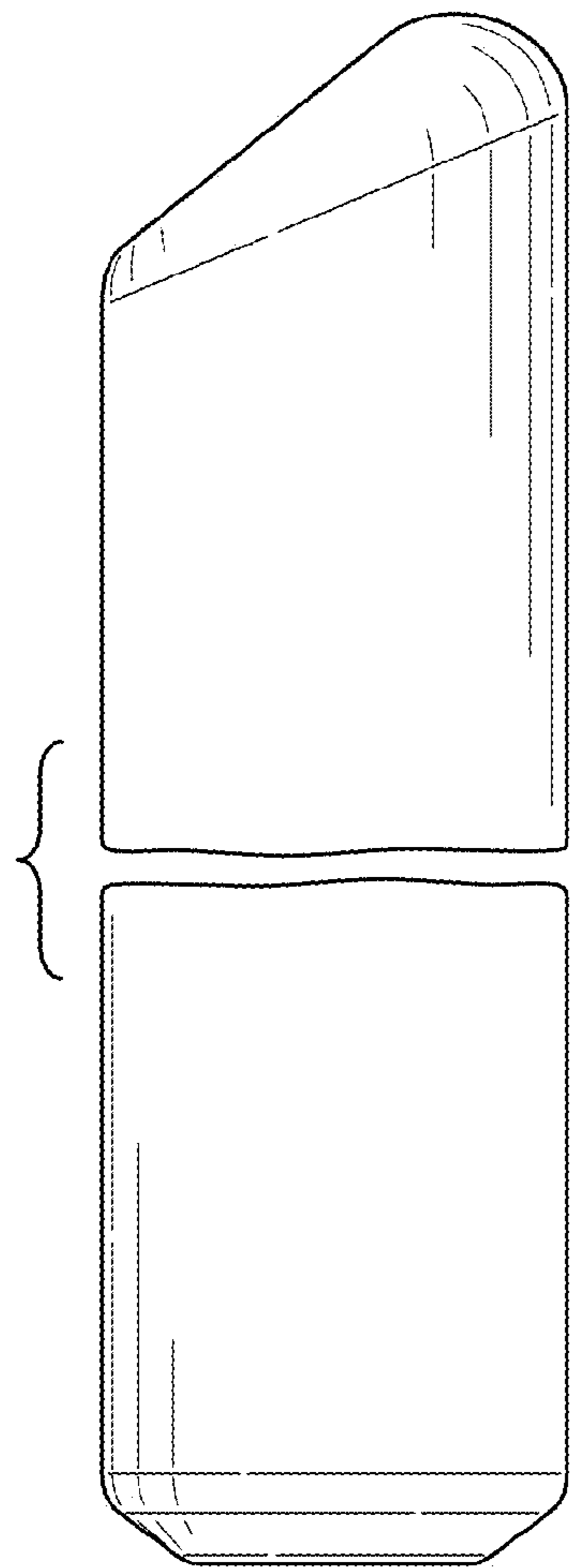


FIG. 4

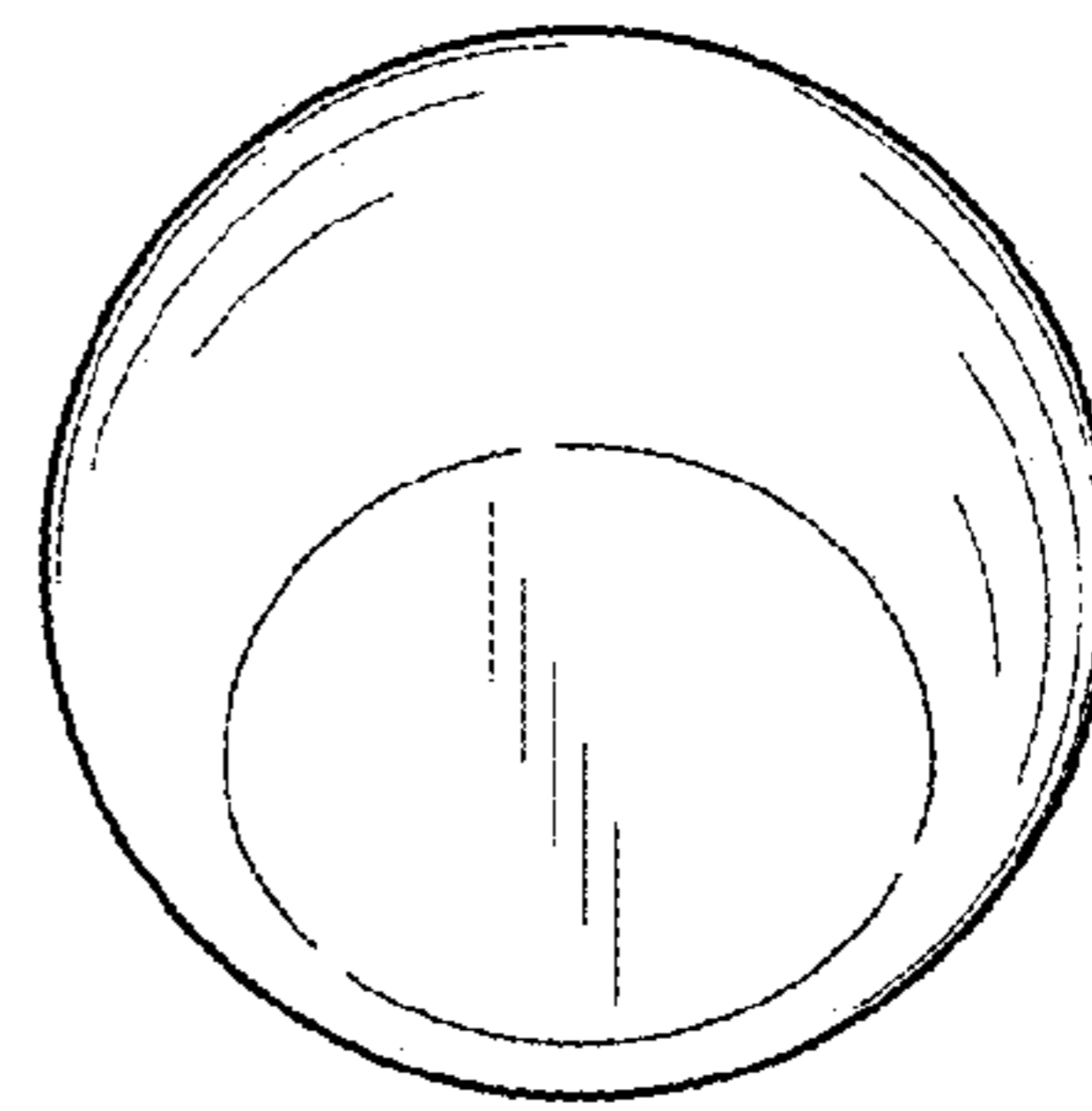


FIG. 5

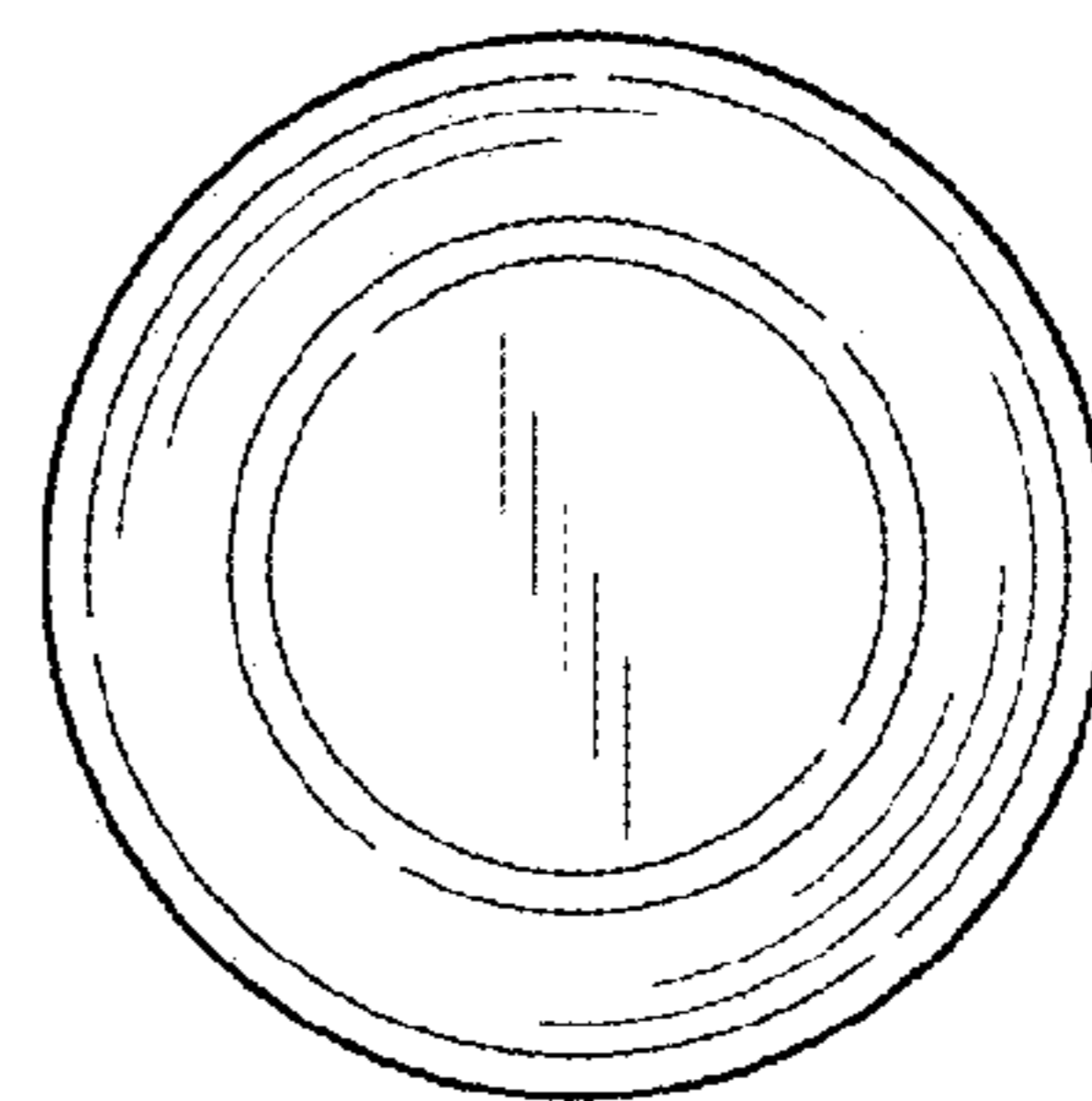


FIG. 6