

US00D695409S

(12) **United States Design Patent**
Drysdale et al.

(10) **Patent No.:** **US D695,409 S**
(45) **Date of Patent:** **** Dec. 10, 2013**

- (54) **PORTABLE MEDICAL DEVICE**
- (71) Applicant: **DanMedical Ltd.**, Kingham (GB)
- (72) Inventors: **Ian George Moir Drysdale**, Kingham (GB); **David Morris Williams**, Wirral (GB)
- (73) Assignee: **DanMedical Ltd.**, Kingham Oxon (GB)
- (**) Term: **14 Years**
- (21) Appl. No.: **29/433,076**
- (22) Filed: **Sep. 25, 2012**
- (51) **LOC (9) Cl.** **24-01**
- (52) **U.S. Cl.**
USPC **D24/185**; D14/315
- (58) **Field of Classification Search**
USPC D14/230, 240, 300, 315-327, 356, 358, D14/433, 434; D13/103, 123, 152, 162, D13/184, 199; D24/185, 186; 361/679.02, 361/679.08, 679.09, 679.27, 679.55, 361/679.58; 455/521, 522; 600/300, 437, 600/443, 459; 345/30
See application file for complete search history.

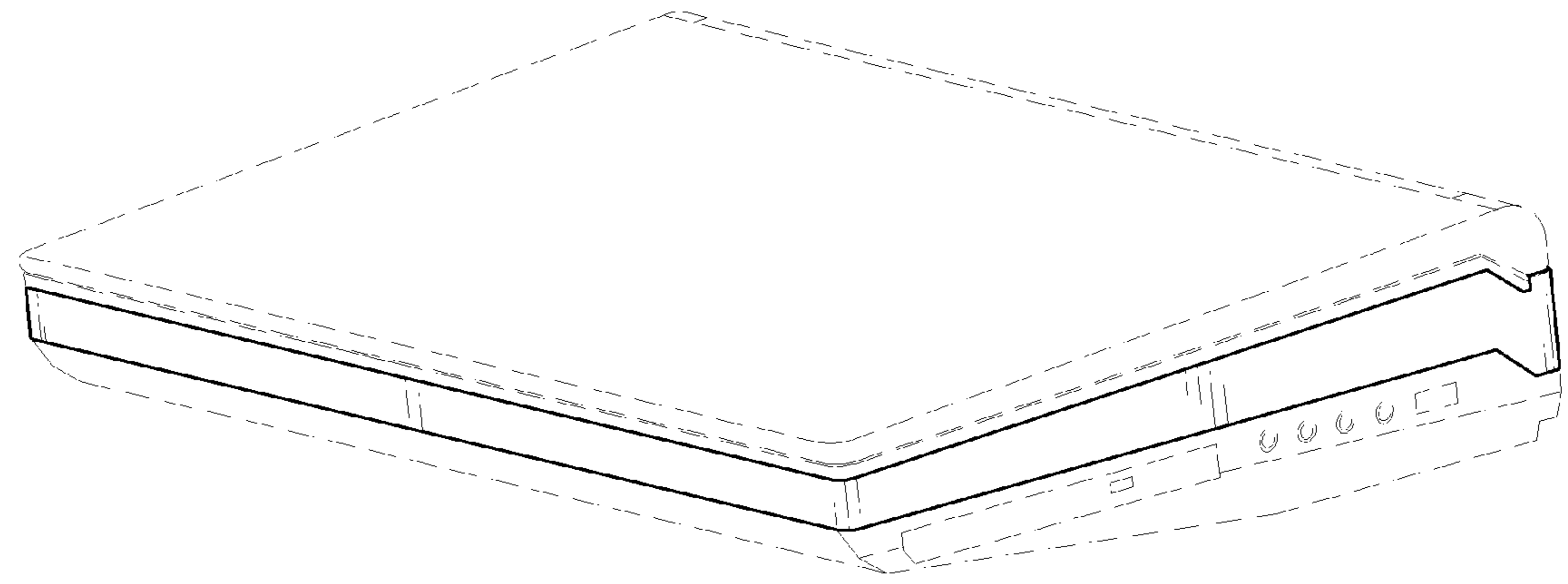
- (56) **References Cited**
U.S. PATENT DOCUMENTS
D365,336 S * 12/1995 Vossoughi et al. D14/322
6,580,948 B2 * 6/2003 Hauptert et al. 607/60
6,617,063 B1 * 9/2003 Ohnishi 429/7
6,695,777 B2 * 2/2004 Solomon et al. 600/437
7,199,999 B2 * 4/2007 Shin et al. 361/679.55

D641,350 S 7/2011 Drysdale et al.
D643,816 S 8/2011 Drysdale et al.
2009/0186647 A1* 7/2009 Smart et al. 455/521
* cited by examiner
Primary Examiner — Freda S Nunn
(74) *Attorney, Agent, or Firm* — Knobbe Martens Olson & Bear, LLP

(57) **CLAIM**
The ornamental design for a portable medical device, as shown and described.

DESCRIPTION
FIG. 1 is a front perspective view of a portable medical device in a closed configuration;
FIG. 2 is a front perspective view of the portable medical device of FIG. 1 in an opened configuration;
FIG. 3 is a rear view of the portable medical device of FIG. 1;
FIG. 4 is a front view of the portable medical device of FIG. 1;
FIG. 5 is a left side view of the portable medical device of FIG. 1;
FIG. 6 is a right side view of the portable medical device of FIG. 1;
FIG. 7 is a top view of the portable medical device of FIG. 1;
and,
FIG. 8 is a bottom view of the portable medical device of FIG. 1.
Broken lines shown in the drawings illustrate portions of the portable medical device, and form no part of the claimed design.

1 Claim, 6 Drawing Sheets



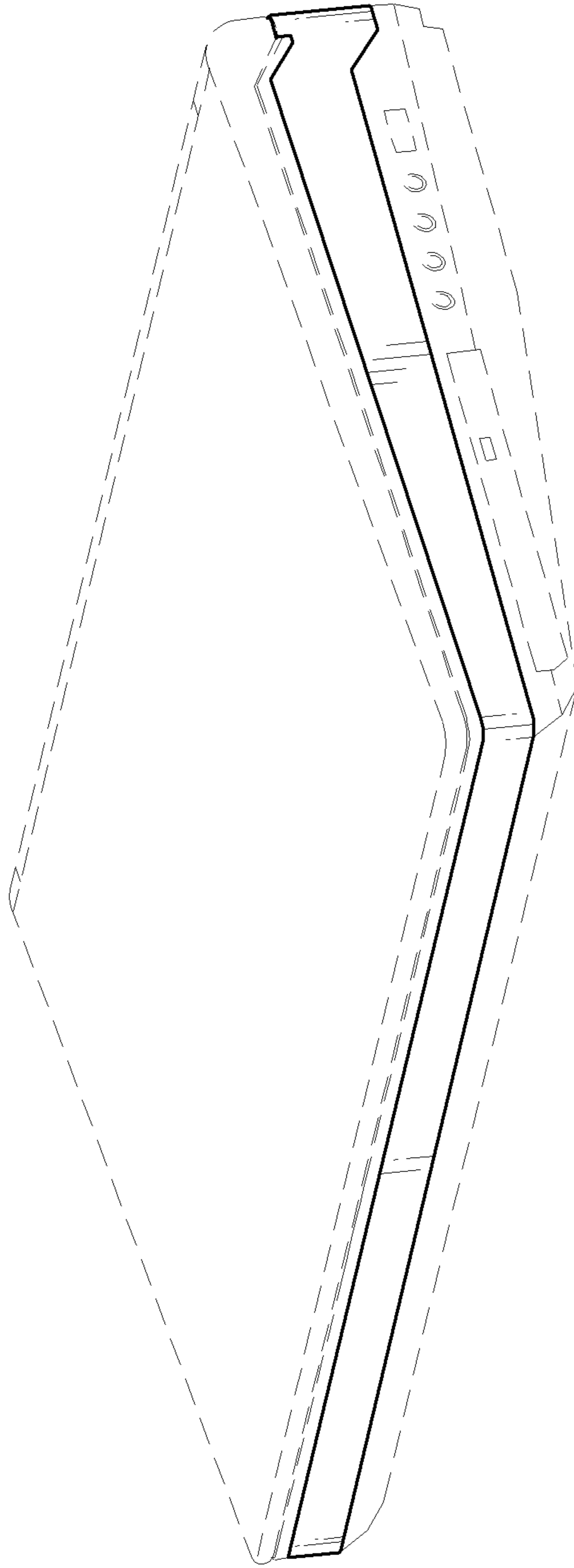


FIG. 1

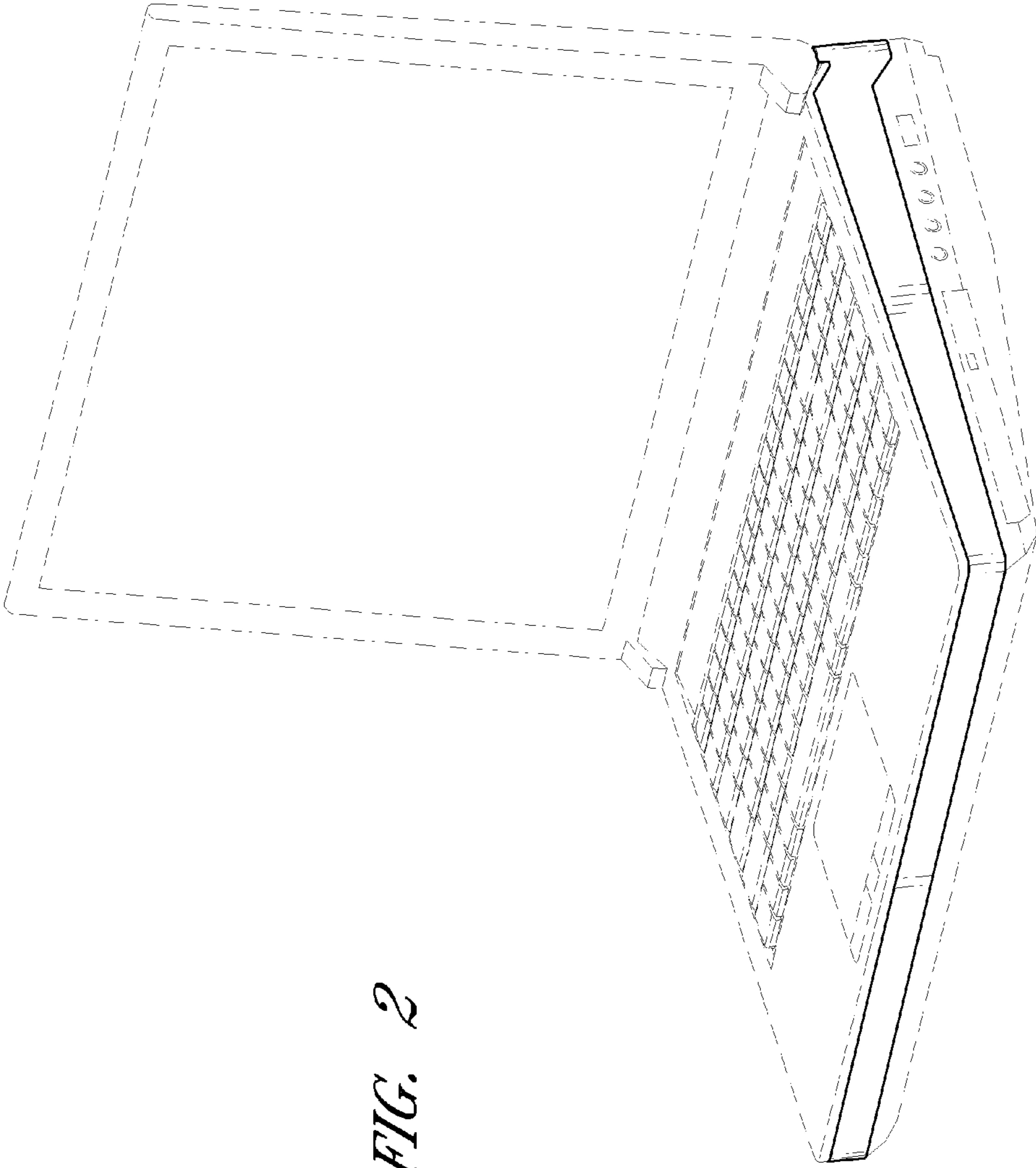


FIG. 2

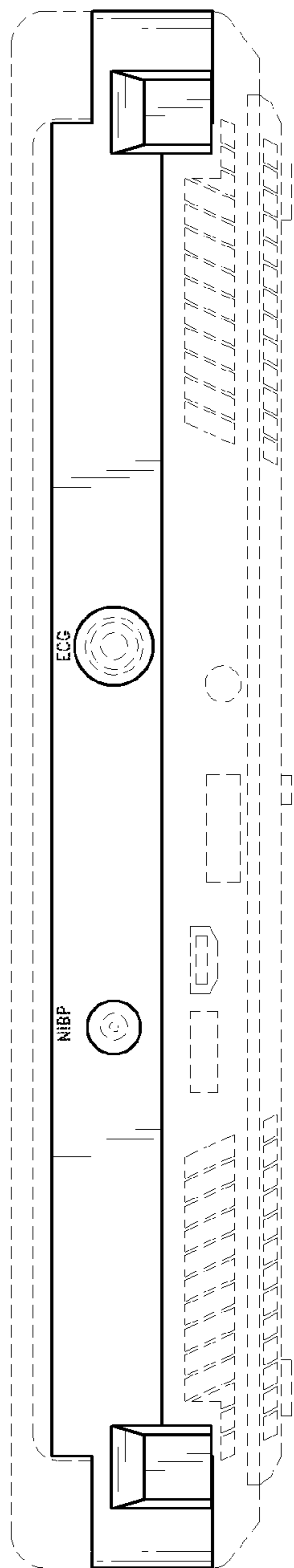


FIG. 3

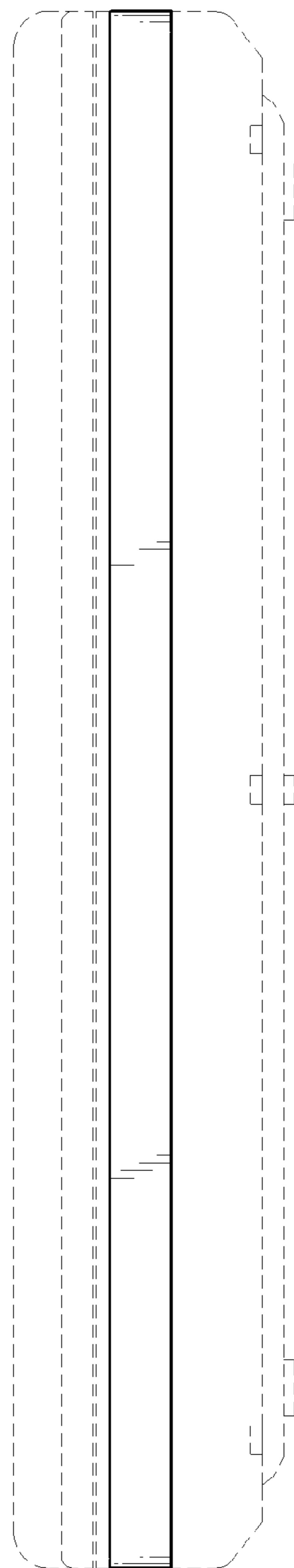


FIG. 4

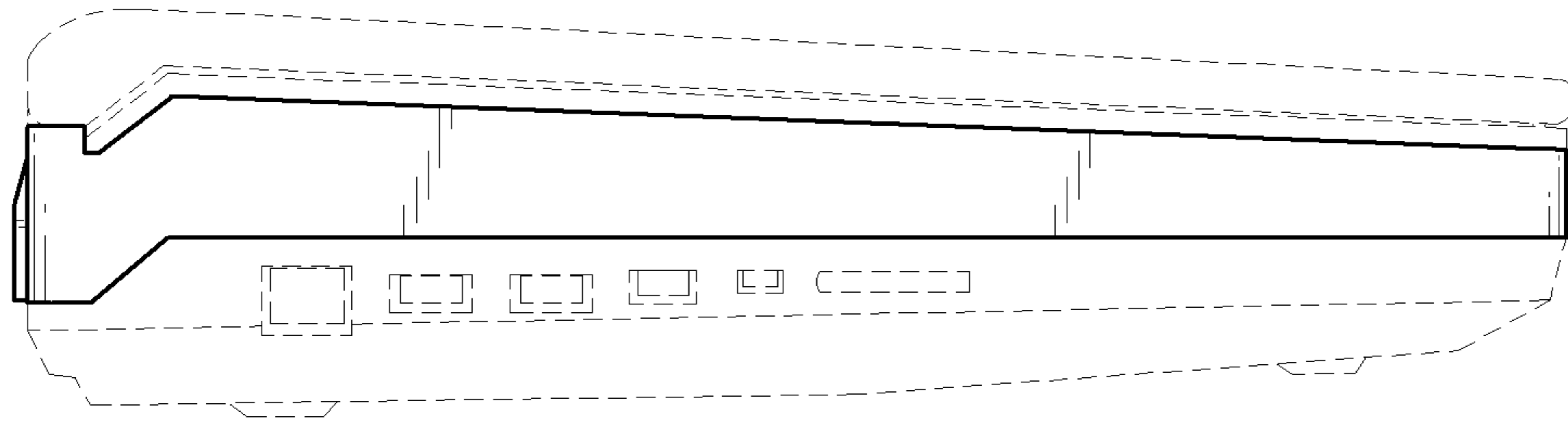


FIG. 5

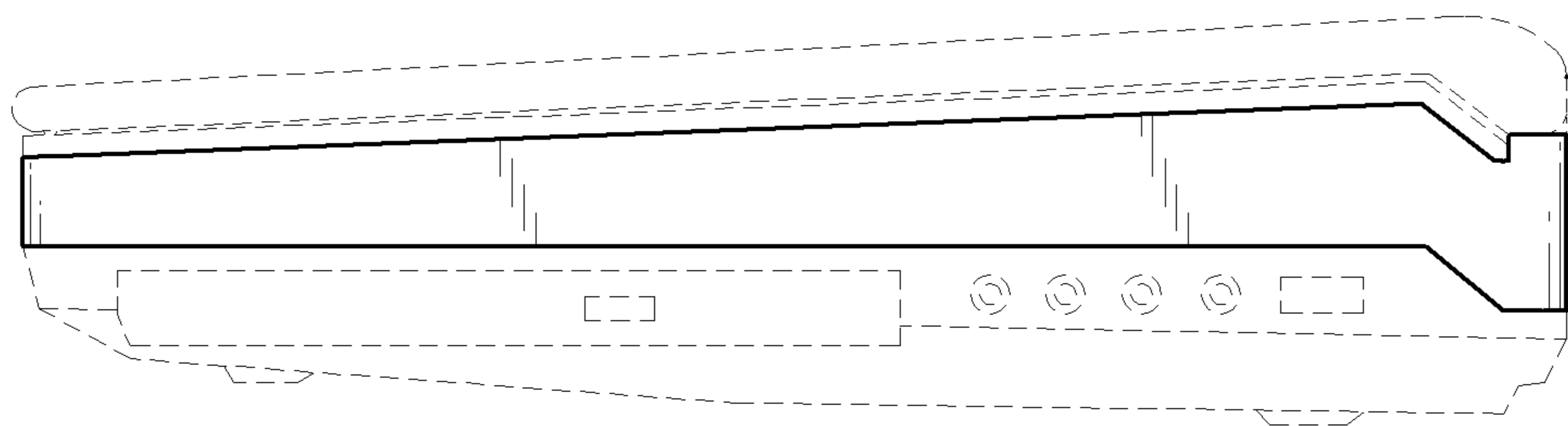


FIG. 6

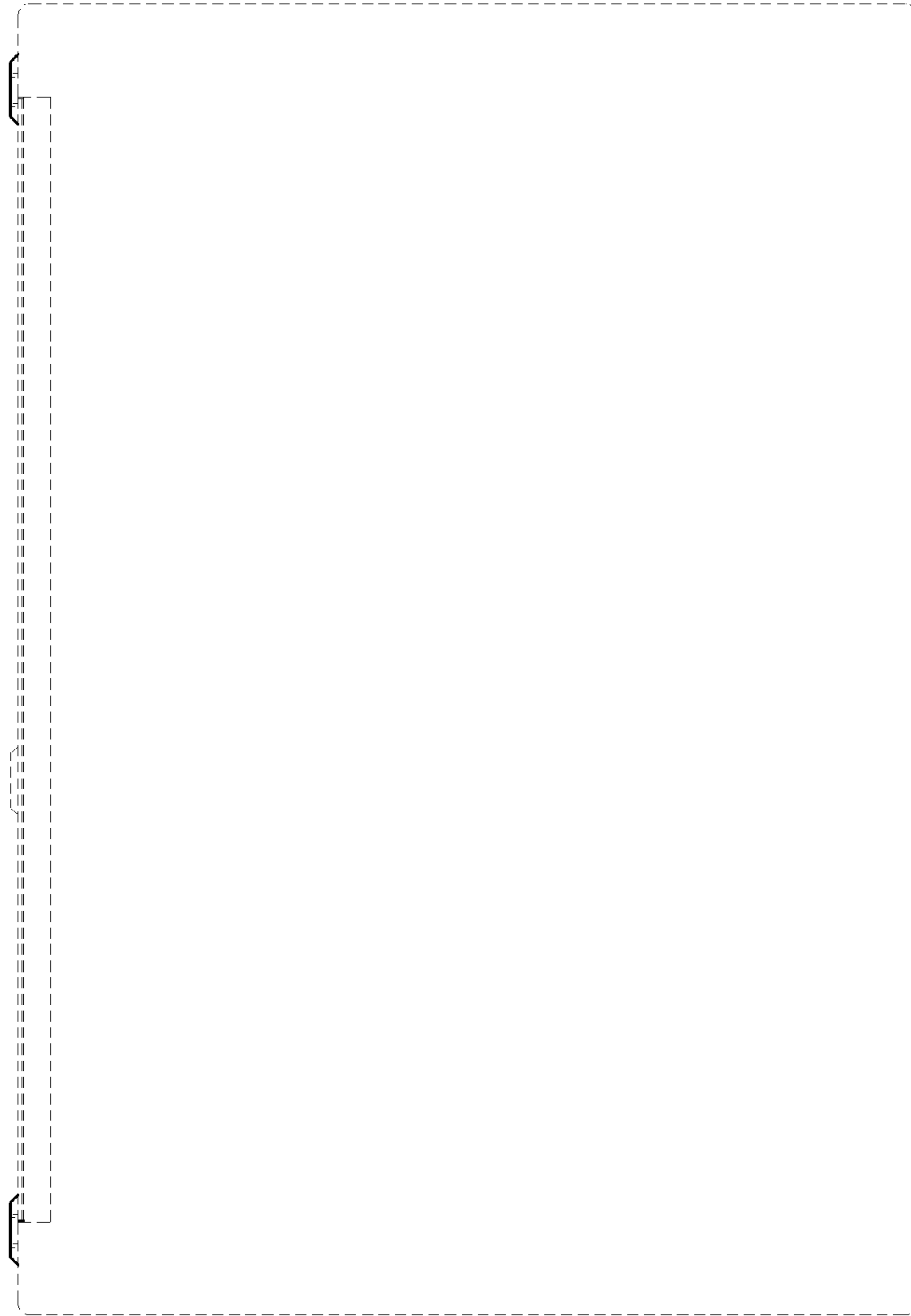


FIG. 7

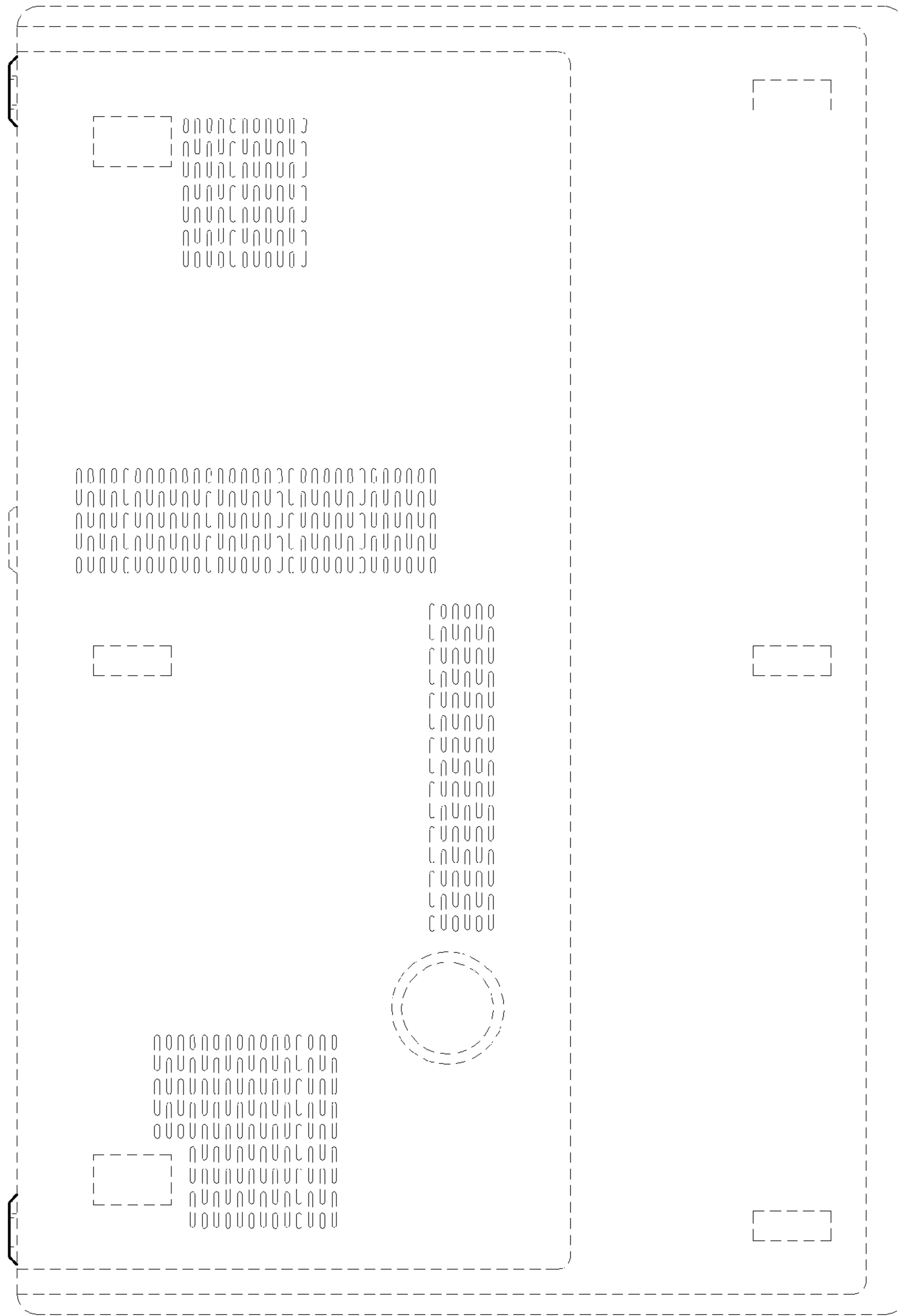


FIG. 8