



US00D695407S

(12) **United States Design Patent**
Price et al.

(10) **Patent No.:** **US D695,407 S**
(45) **Date of Patent:** **** Dec. 10, 2013**

(54) **SURGICAL GENERATOR**

(75) Inventors: **Daniel W. Price**, Loveland, OH (US);
Matthew C. Miller, Cincinnati, OH
(US); **Cory G. Kimball**, Cincinnati, OH
(US); **Brennan G. McCabe**, Cincinnati,
OH (US); **Jeffrey L. Aldridge**, Lebanon,
OH (US); **Eitan T. Wiener**, Cincinnati,
OH (US); **William E. Clem**, Bozeman,
MT (US)

(73) Assignee: **Ethicon Endo-Surgery, Inc.**, Cincinnati,
OH (US)

(**) Term: **14 Years**

(21) Appl. No.: **29/389,531**

(22) Filed: **Apr. 13, 2011**

Related U.S. Application Data

(63) Continuation of application No. 12/896,360, filed on
Oct. 1, 2010.

(51) **LOC (9) Cl.** **24-02**

(52) **U.S. Cl.**
USPC **D24/170**

(58) **Field of Classification Search**
USPC D24/130, 143, 150, 164, 170, 171, 172,
D24/183, 185, 186, 188, 190, 221, 234;
351/206, 224, 226

See application file for complete search history.

(56) **References Cited**

U.S. PATENT DOCUMENTS

5,651,780	A	7/1997	Jackson et al.	
D477,408	S *	7/2003	Bromley	D24/170
D491,666	S *	6/2004	Kimmell et al.	D24/170
D552,241	S *	10/2007	Bromley et al.	D24/170
D669,992	S *	10/2012	Schafer et al.	D24/170
D669,993	S *	10/2012	Merchant et al.	D24/170
2009/0118802	A1	5/2009	Mioduski et al.	

OTHER PUBLICATIONS

[http://www.4-traders.com/JOHNSON-JOHNSON-4832/news/Johnson-Johnson-Ethicon-E. . . *](http://www.4-traders.com/JOHNSON-JOHNSON-4832/news/Johnson-Johnson-Ethicon-E...)
[http://www.medicalexpo.com/medical-manufacturer/electrosurgical-generator-6951.html.*](http://www.medicalexpo.com/medical-manufacturer/electrosurgical-generator-6951.html)
[http://www.apicalinstr.com/generators.htm.*](http://www.apicalinstr.com/generators.htm)
[http://www.valleylab.com/product/es/generators/index.html.*](http://www.valleylab.com/product/es/generators/index.html)

(Continued)

Primary Examiner — Robert M Spear

Assistant Examiner — Rhea Shields

(74) *Attorney, Agent, or Firm* — Verne E. Kreger, Jr.

(57) **CLAIM**

The ornamental design for a surgical generator, as shown and described.

DESCRIPTION

FIG. 1 is a perspective view of a surgical generator as seen from the front, top, and right side;

FIG. 2 is a top plan view thereof;

FIG. 3 is a front elevation view thereof;

FIG. 4 is a right side elevation view thereof;

FIG. 5 is a back end elevation view thereof;

FIG. 6 is a left side elevation view thereof;

FIG. 7 is a bottom plan view thereof;

FIG. 8 is a perspective view as seen from the front, top, and right side of a modified embodiment of the design shown in FIGS. 1-7;

FIG. 9 is a top plan view thereof;

FIG. 10 is a front elevation view thereof;

FIG. 11 is a right side elevation view thereof;

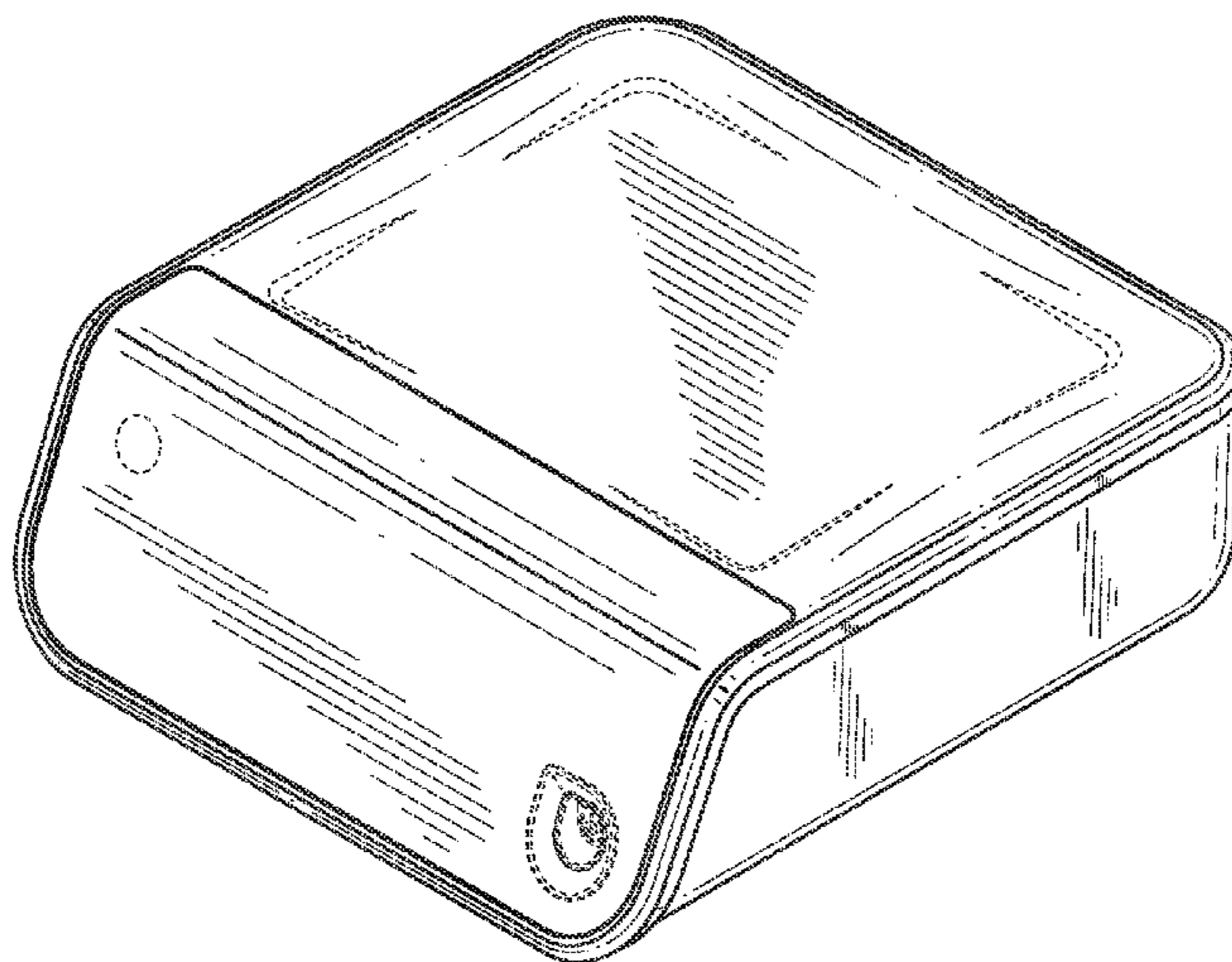
FIG. 12 is a back end elevation view thereof;

FIG. 13 is a left side elevation view thereof; and,

FIG. 14 is a bottom plan view thereof.

The broken lines in the figures illustrate unclaimed environment only and form no part of the claimed design.

1 Claim, 14 Drawing Sheets



(56)

References Cited

OTHER PUBLICATIONS

<http://www.dotmed.com/listing/electrosurgical-unit/ethicon/ultracision-g110-/1466724>.*

[http://www.ethicon.com/gb-en/healthcare-professionals/products/energy-devices/capital/ge . . .](http://www.ethicon.com/gb-en/healthcare-professionals/products/energy-devices/capital/ge...).*

http://www.megadyne.com/es_generator.php.*

International Search Report dated Aug. 26, 2011; International Application No. PCT/US2010/051787.

Ethicon Endo-Surgery, Inc., "Advancing Smooth Surgery, Harmonic," DSL #04-11041, Brochure, pp. 1-2, Nov. 2004.

* cited by examiner

FIG. 1

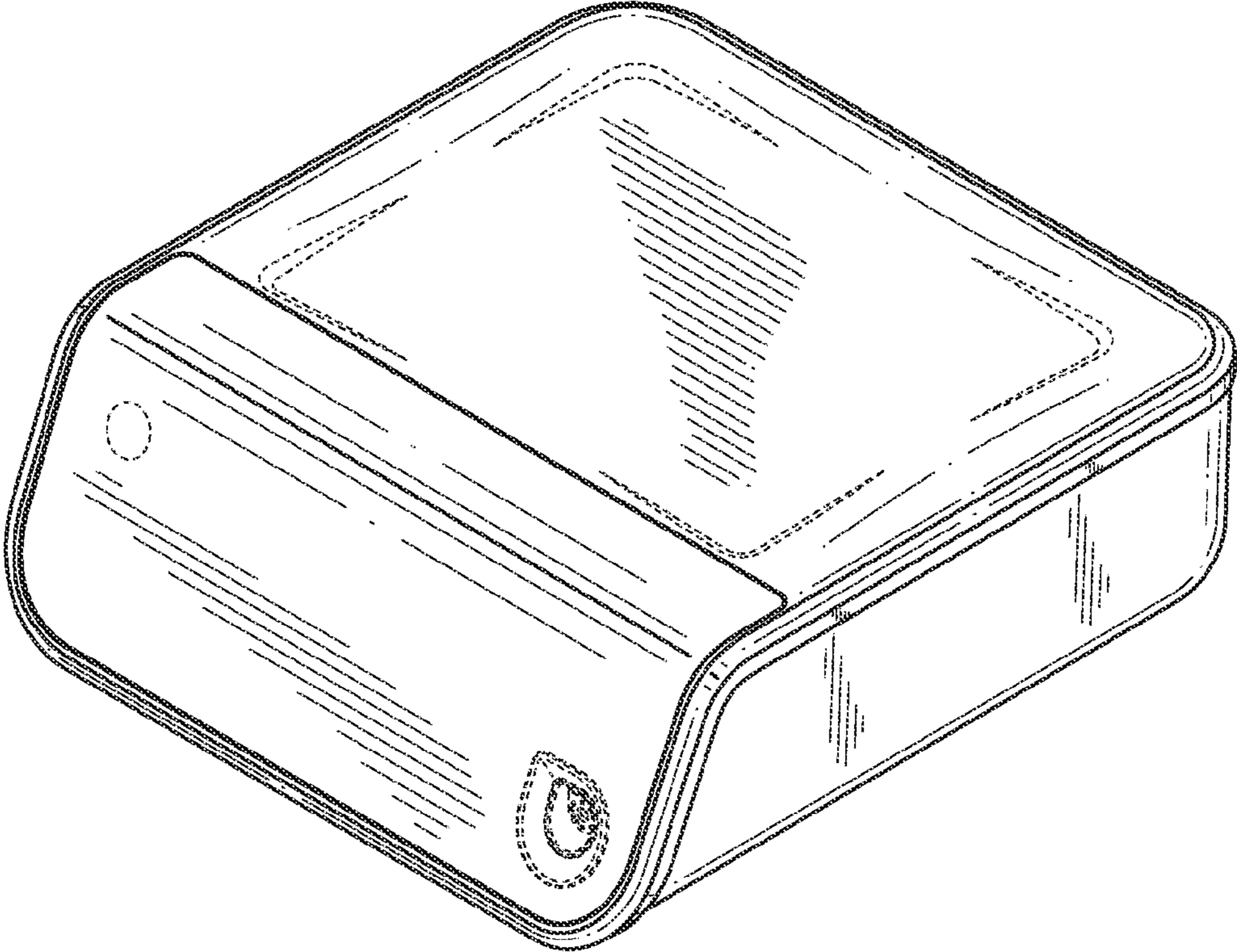


FIG. 2

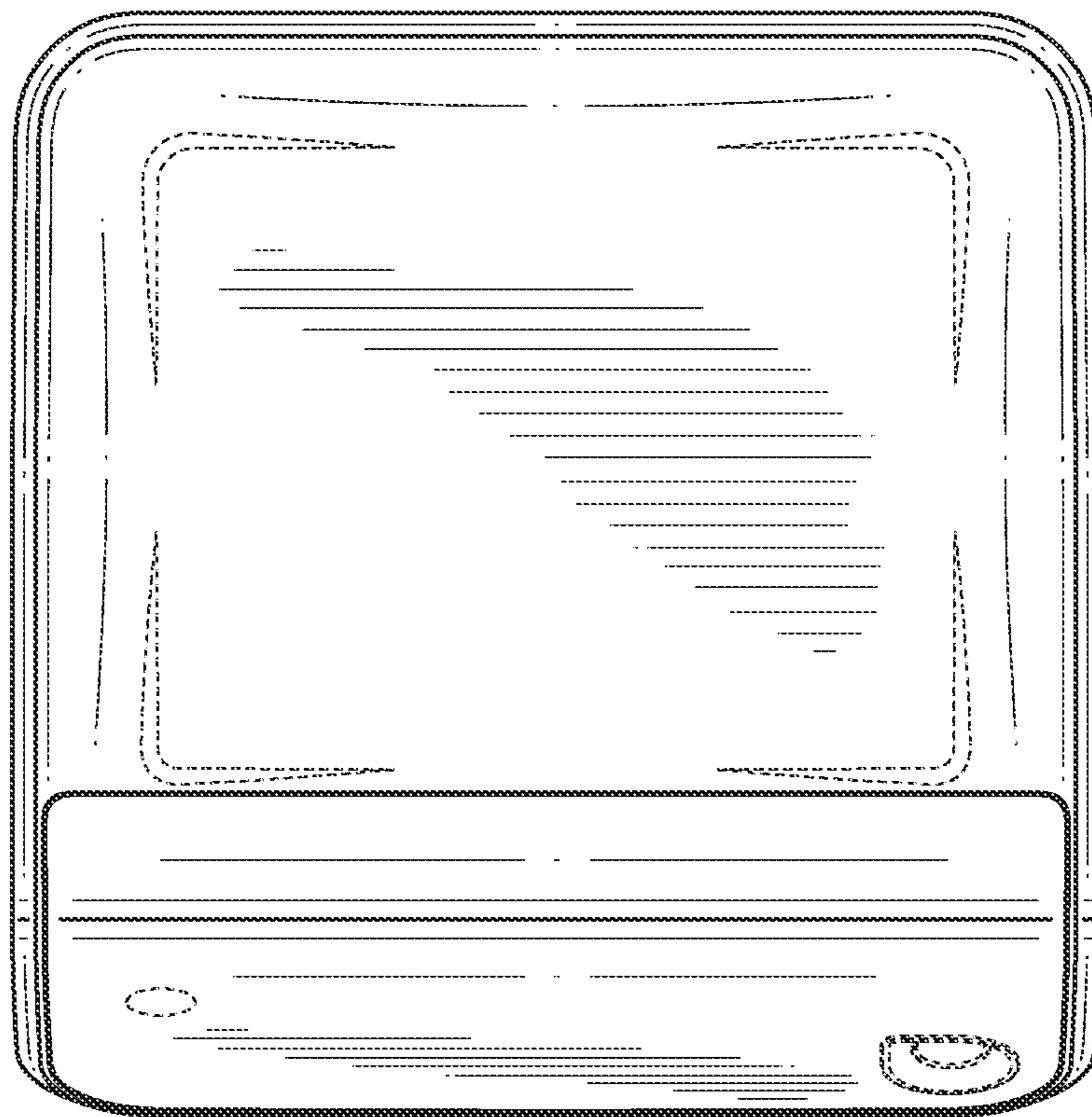


FIG. 3

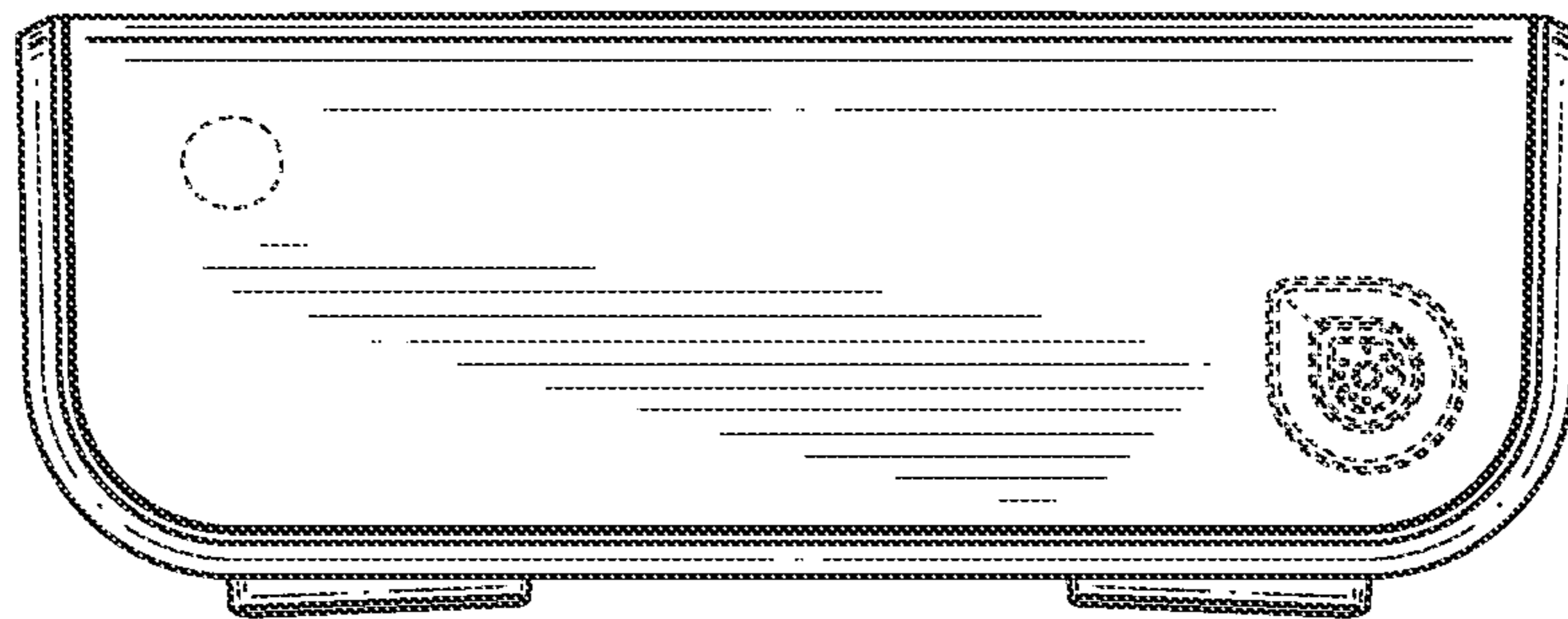


FIG. 4

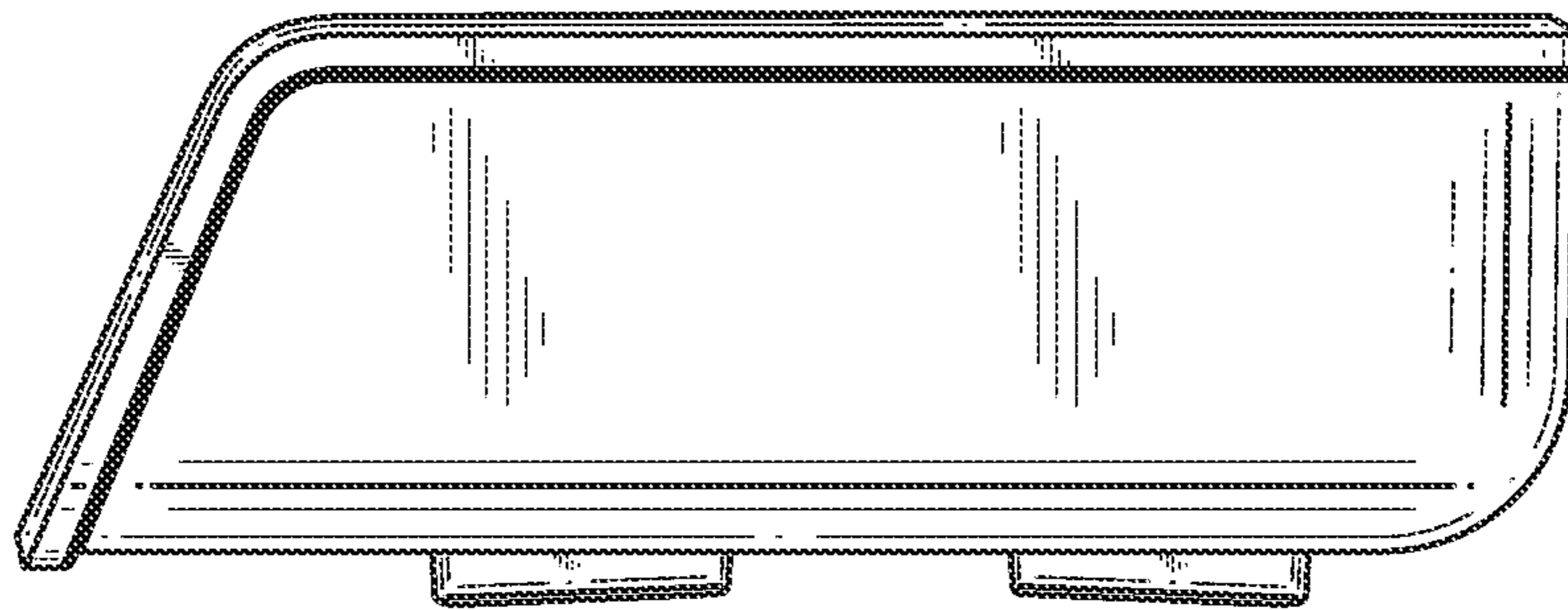


FIG. 5

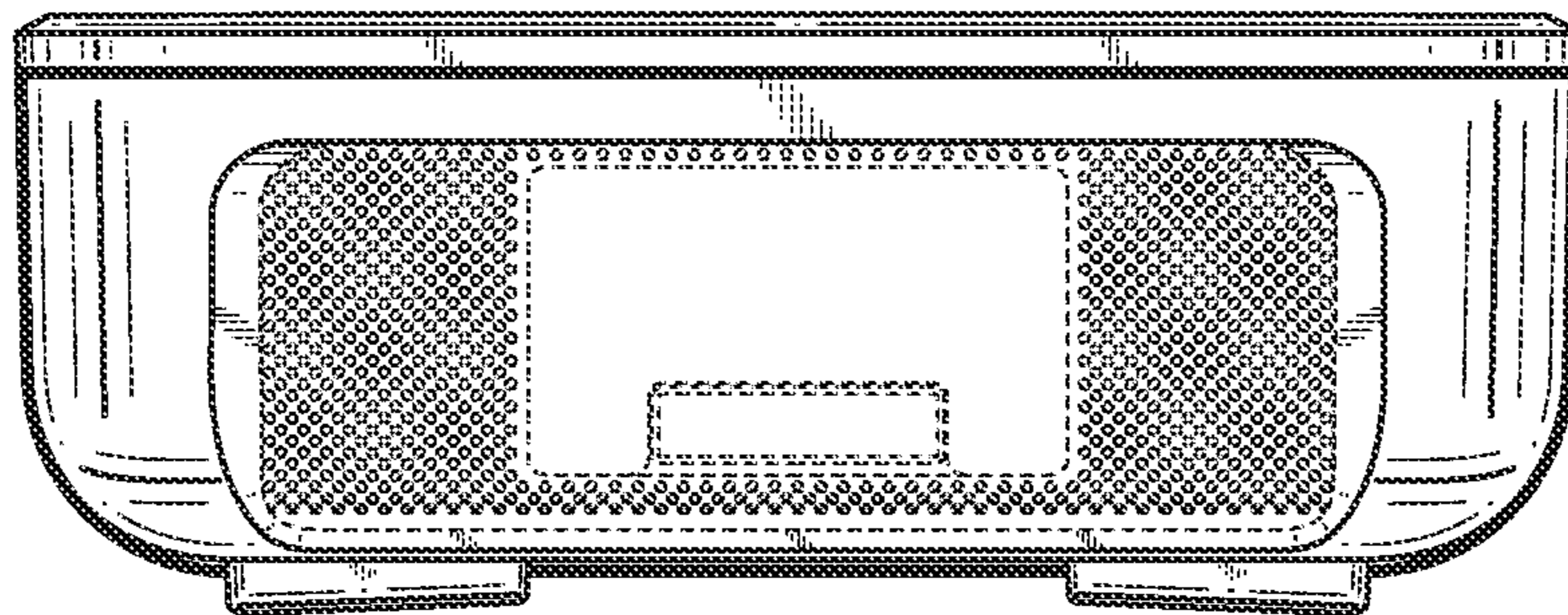


FIG. 6

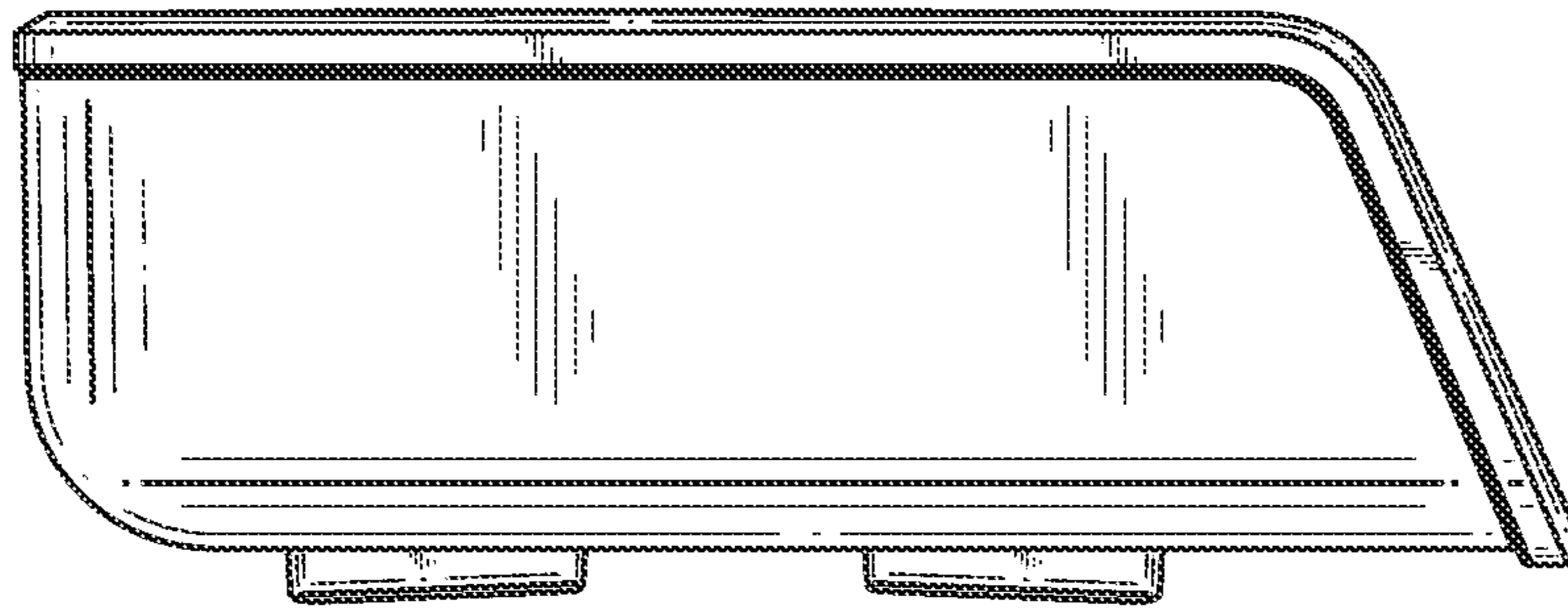


FIG. 7

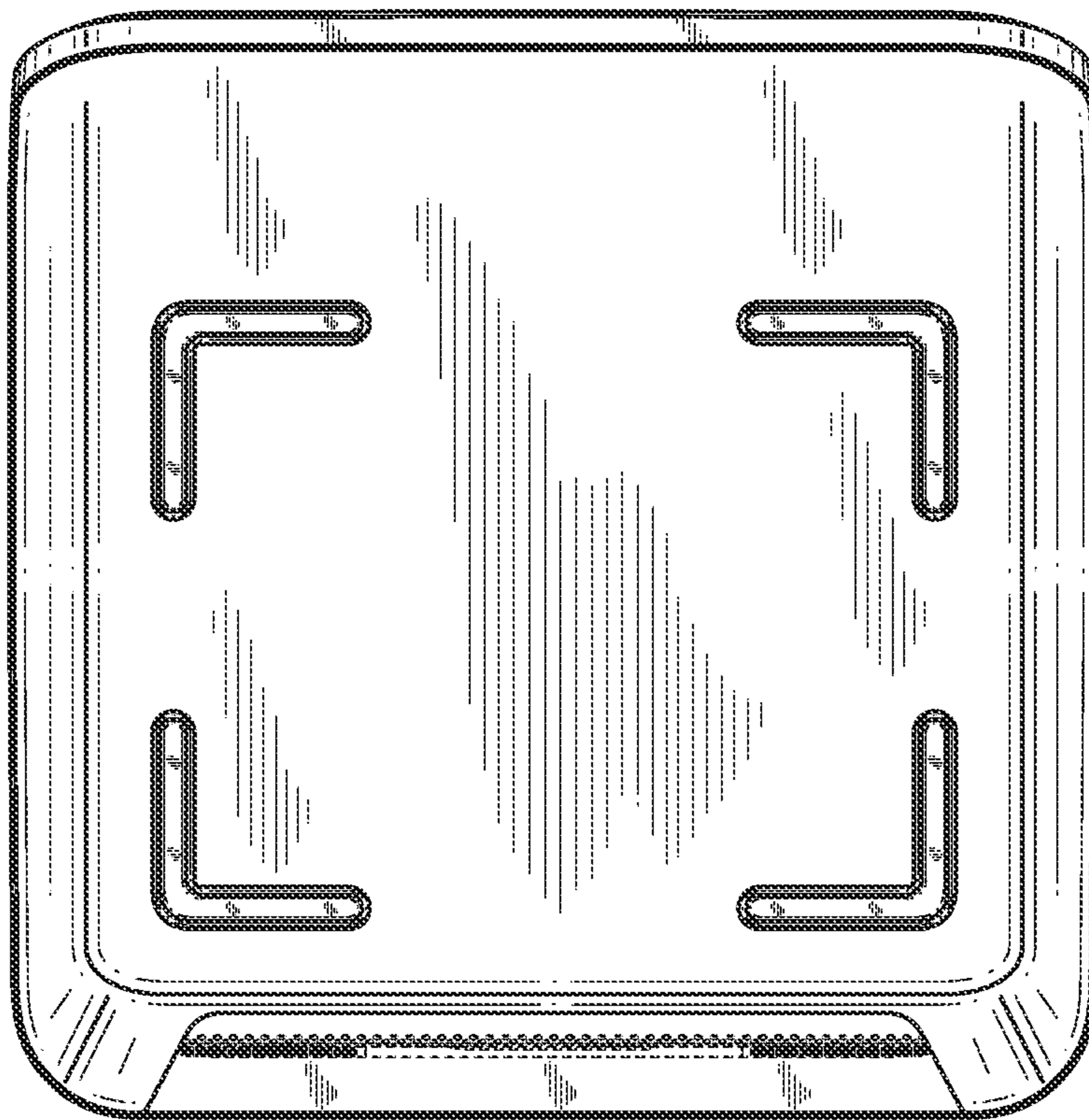


FIG. 8

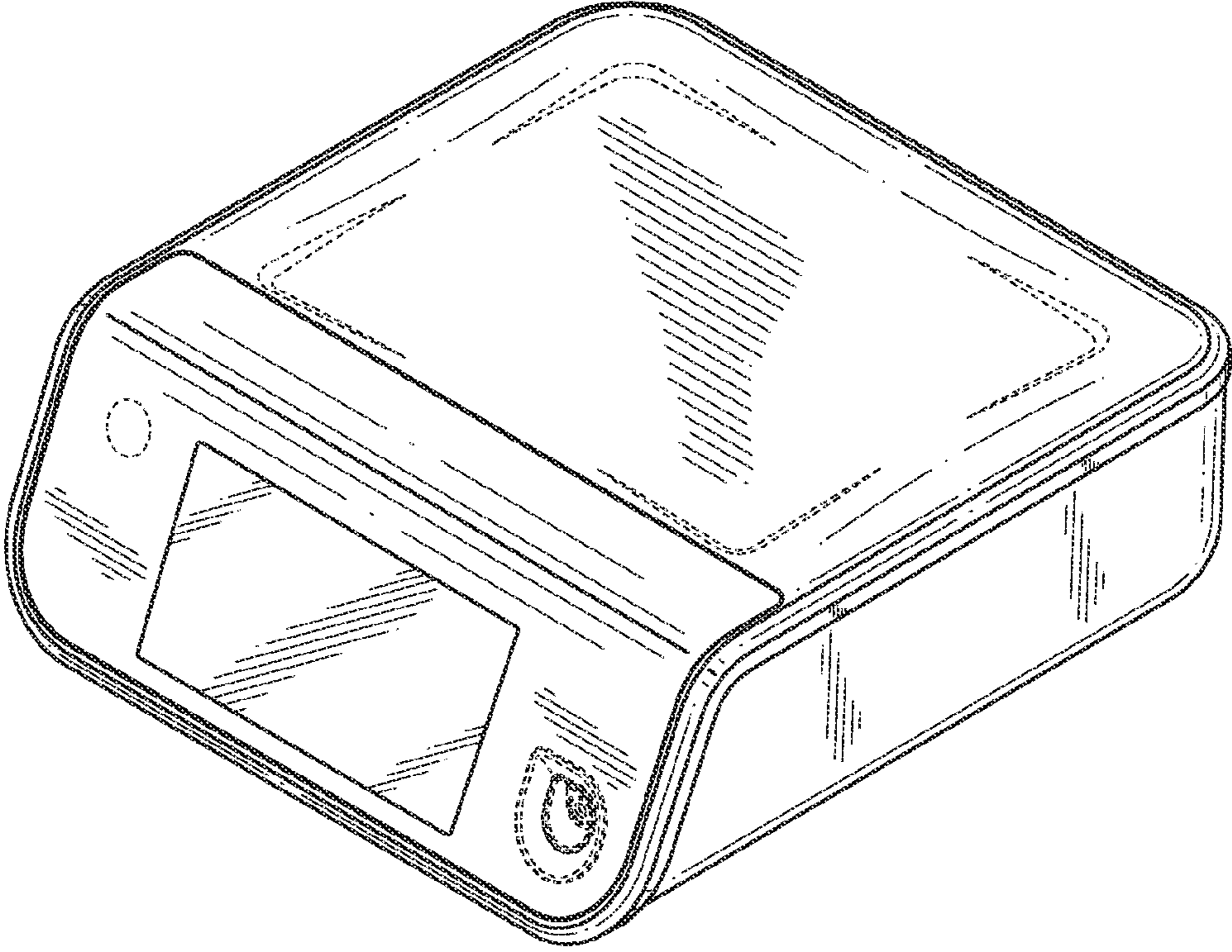


FIG. 9

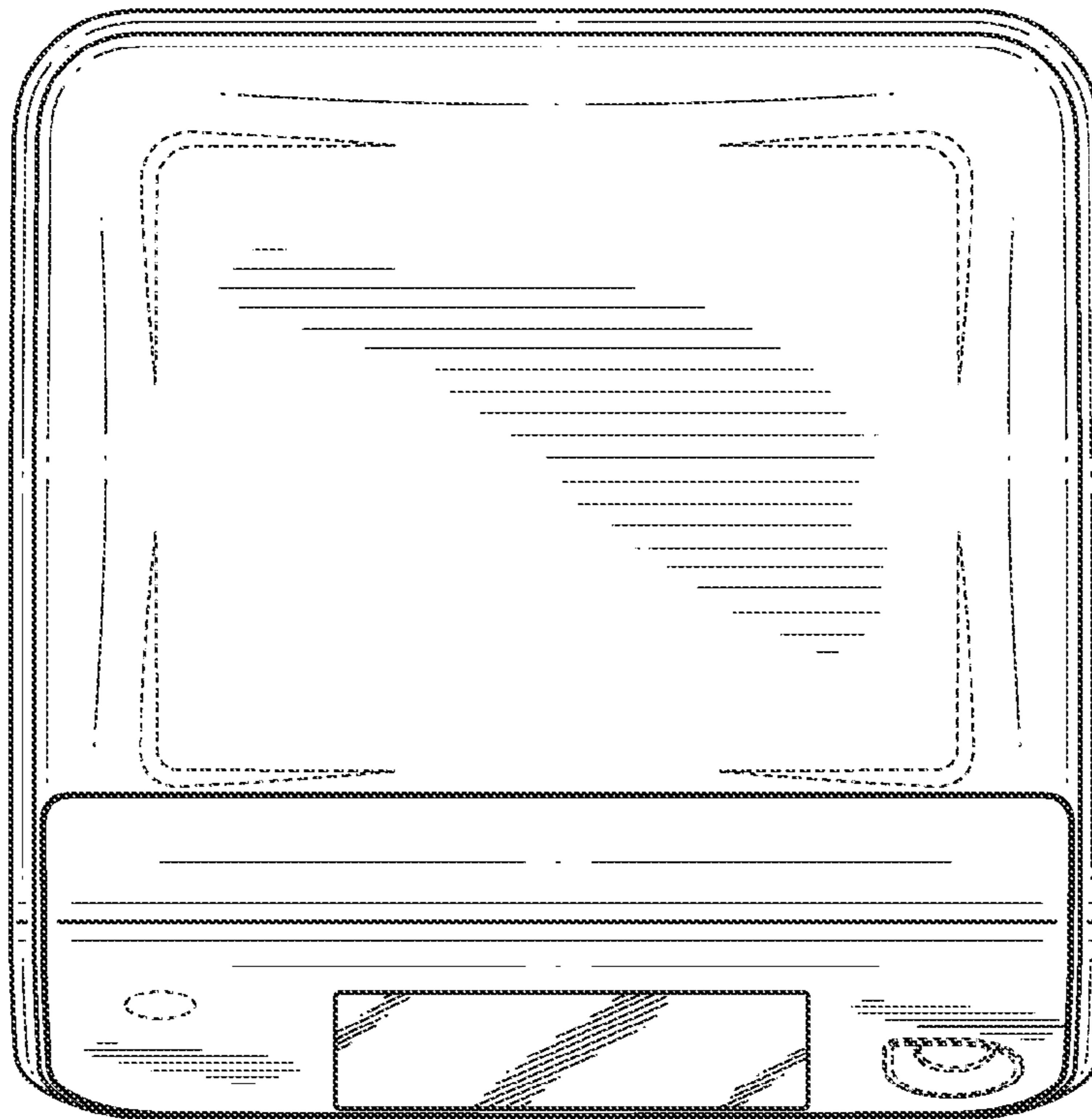


FIG. 10

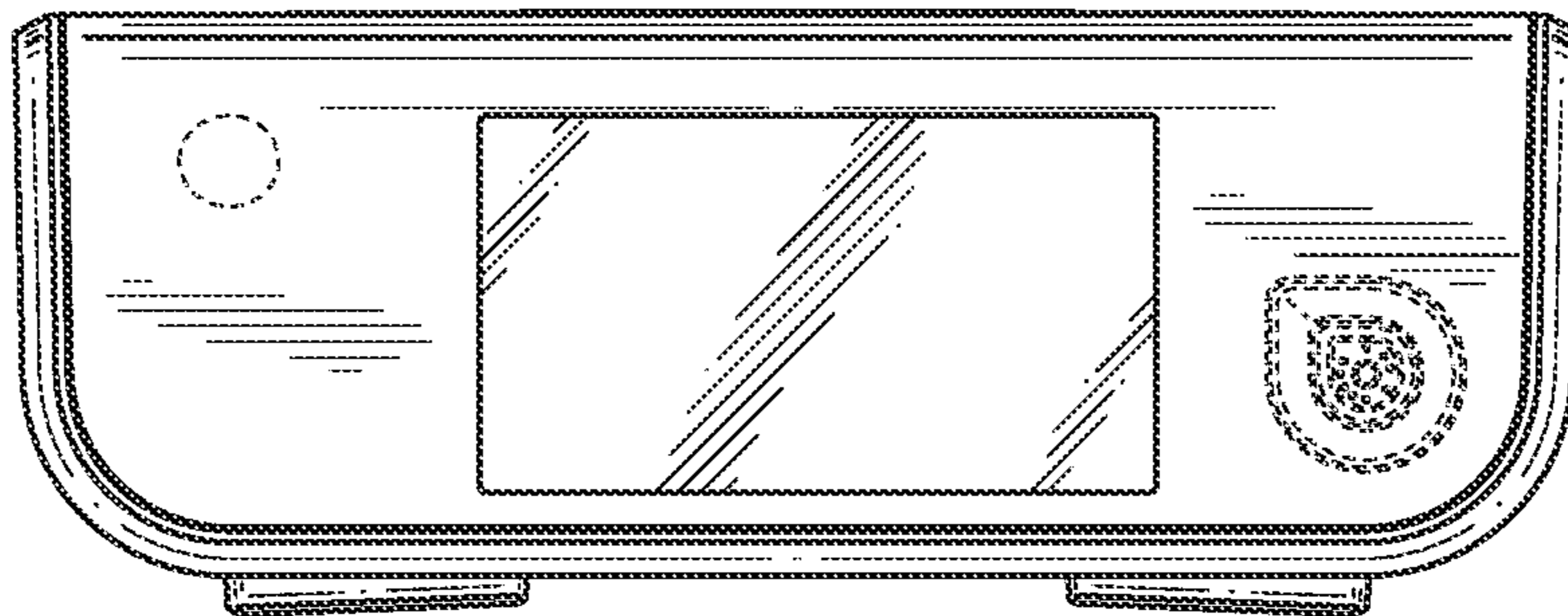


FIG. 11

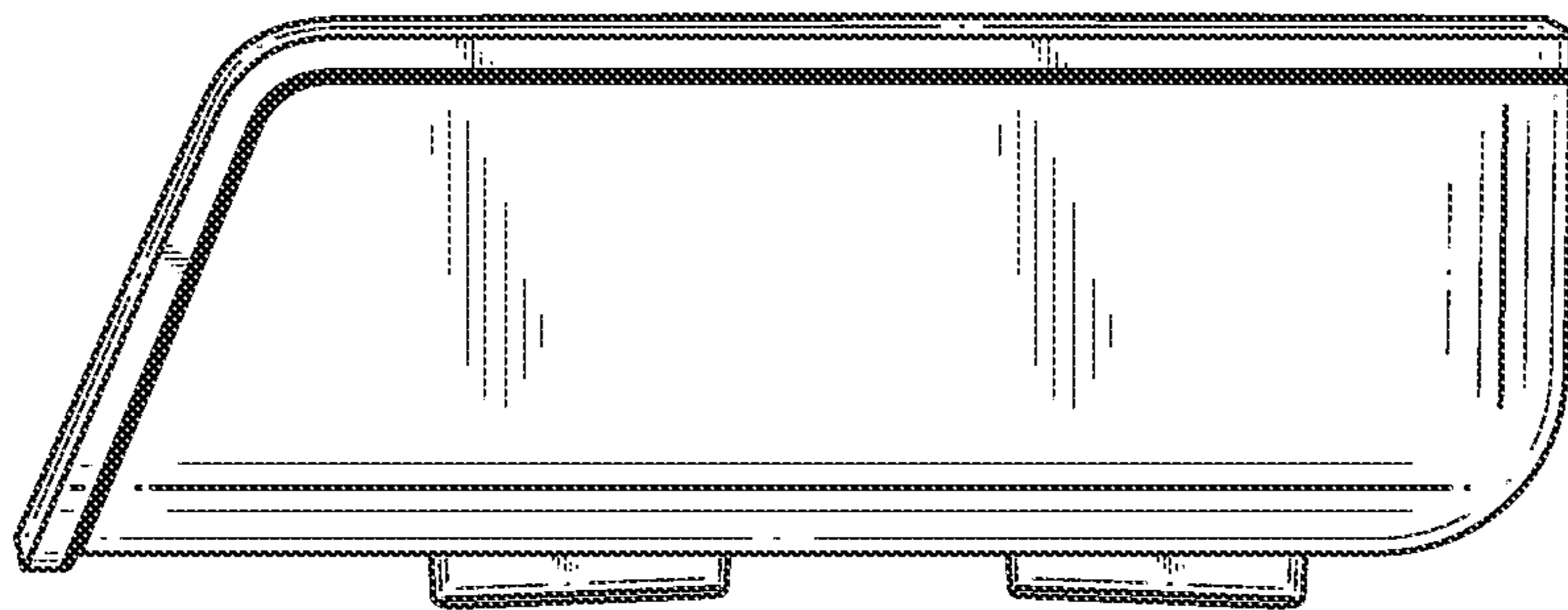


FIG. 12

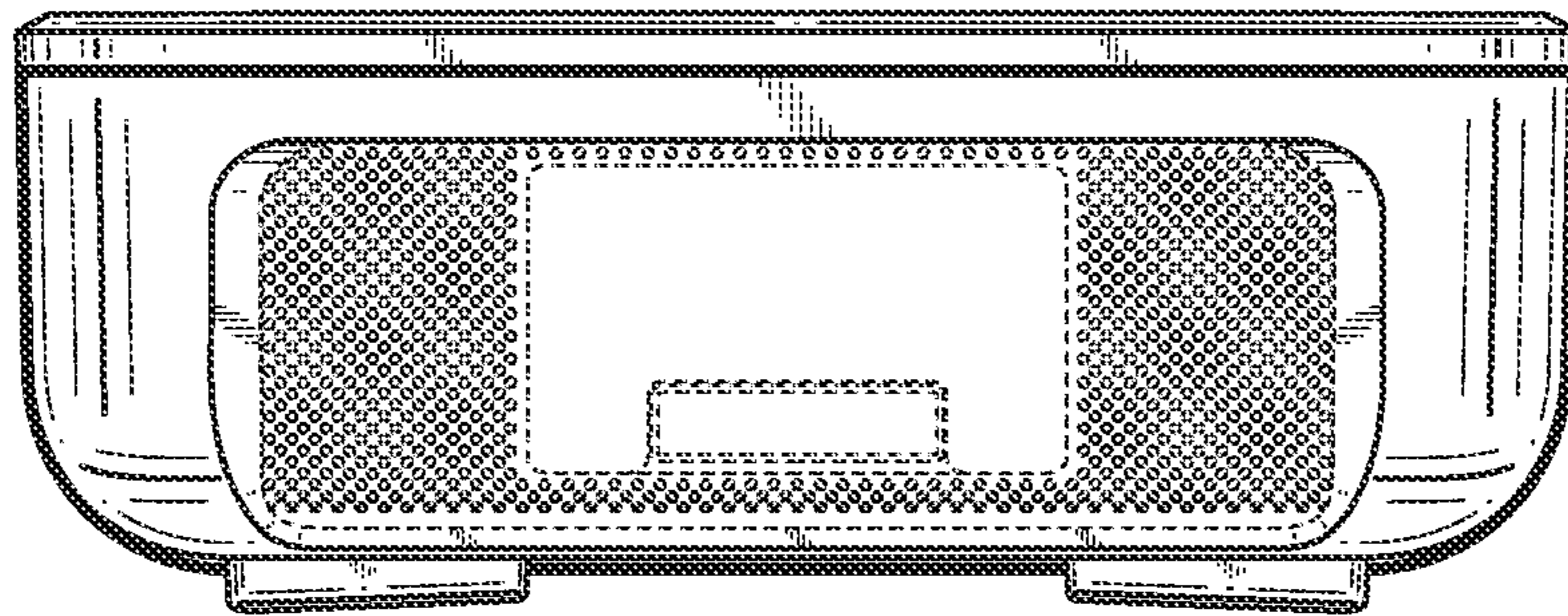


FIG. 13

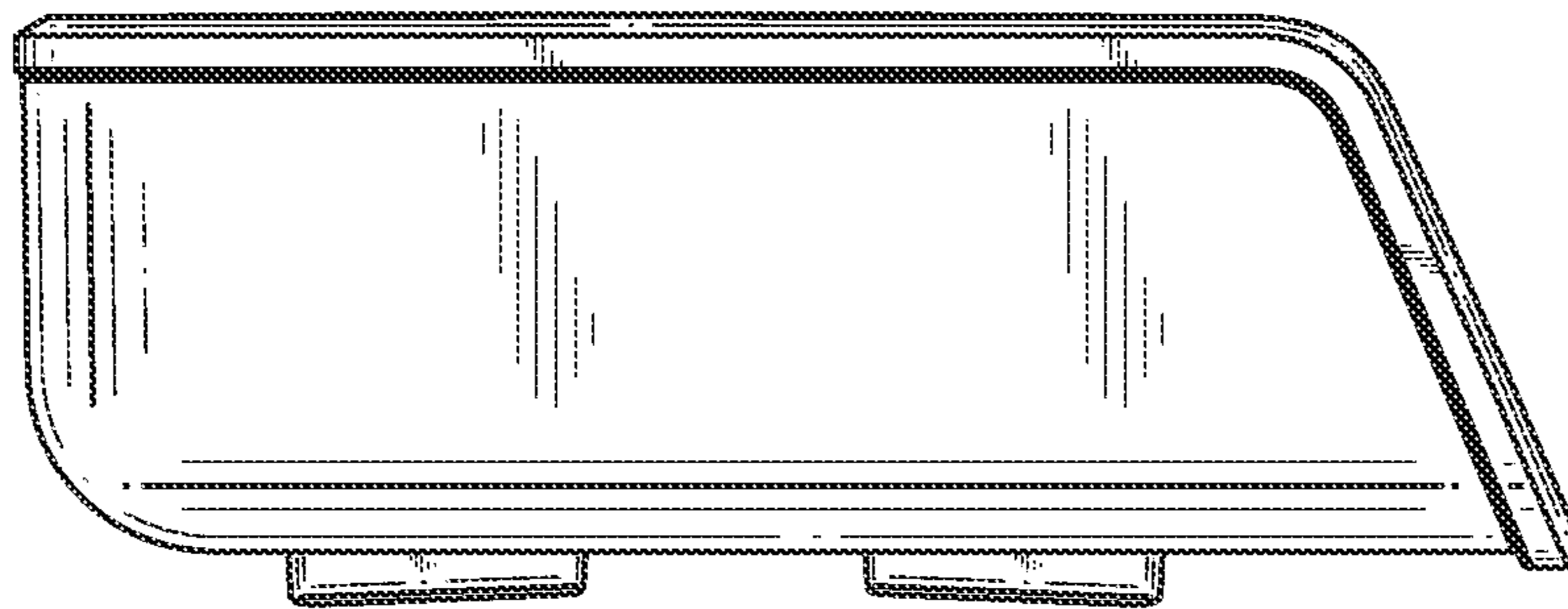


FIG. 14

