

US00D695405S

(12) **United States Design Patent**  
**Moon et al.**

(10) **Patent No.:** **US D695,405 S**

(45) **Date of Patent:** **\*\* Dec. 10, 2013**

(54) **CONTROLLER FOR MEDICAL RADIOGRAPHY**

(75) Inventors: **Jae-Hwa Moon**, Seoul (KR);  
**Jung-Hoon Kim**, Seoul (KR); **Jun-Pil Moon**, Seoul (KR)

(73) Assignee: **Samsung Electronics Co., Ltd.**,  
Suwon-si (KR)

(\*\*) Term: **14 Years**

(21) Appl. No.: **29/417,770**

(22) Filed: **Apr. 9, 2012**

(30) **Foreign Application Priority Data**

Oct. 20, 2011 (KR) ..... 30-2011-0043800

(51) **LOC (9) Cl.** ..... **24-01**

(52) **U.S. Cl.**  
USPC ..... **D24/158**

(58) **Field of Classification Search**  
USPC ..... D24/158-161, 185, 186; 378/4, 15, 17,  
378/20, 21, 23-27, 62, 68, 146, 195-198;  
D13/158, 162, 167, 168, 171  
See application file for complete search history.

(56) **References Cited**

**U.S. PATENT DOCUMENTS**

D347,690 S \* 6/1994 Rigby et al. .... D24/138  
D550,359 S \* 9/2007 Ogiwara ..... D24/158

D574,789 S \* 8/2008 Ashcraft et al. .... D13/168  
D589,464 S \* 3/2009 Ozo ..... D13/171  
D606,947 S \* 12/2009 Caprio et al. .... D13/168  
D661,664 S \* 6/2012 Felegy et al. .... D13/168  
D667,380 S \* 9/2012 Ishikawa et al. .... D13/168

\* cited by examiner

*Primary Examiner* — Anhdao Doan

(74) *Attorney, Agent, or Firm* — NSIP Law

(57) **CLAIM**

The ornamental design for a controller for medical radiography, as shown and described.

**DESCRIPTION**

FIG. 1 is a perspective view of a controller for medical radiography;

FIG. 2 is a front view of the controller for medical radiography of FIG. 1;

FIG. 3 is a rear view of the controller for medical radiography of FIG. 1;

FIG. 4 is a left-side view of controller for medical radiography of FIG. 1;

FIG. 5 is right-side view of the controller for medical radiography of FIG. 1;

FIG. 6 is a top plan view of the controller for medical radiography of FIG. 1; and,

FIG. 7 is a bottom plan view of the controller for medical radiography of FIG. 1.

The broken lines in the drawing views are included for the purpose of illustrating portions of the controller for medical radiography that form no part of the claimed design.

**1 Claim, 7 Drawing Sheets**

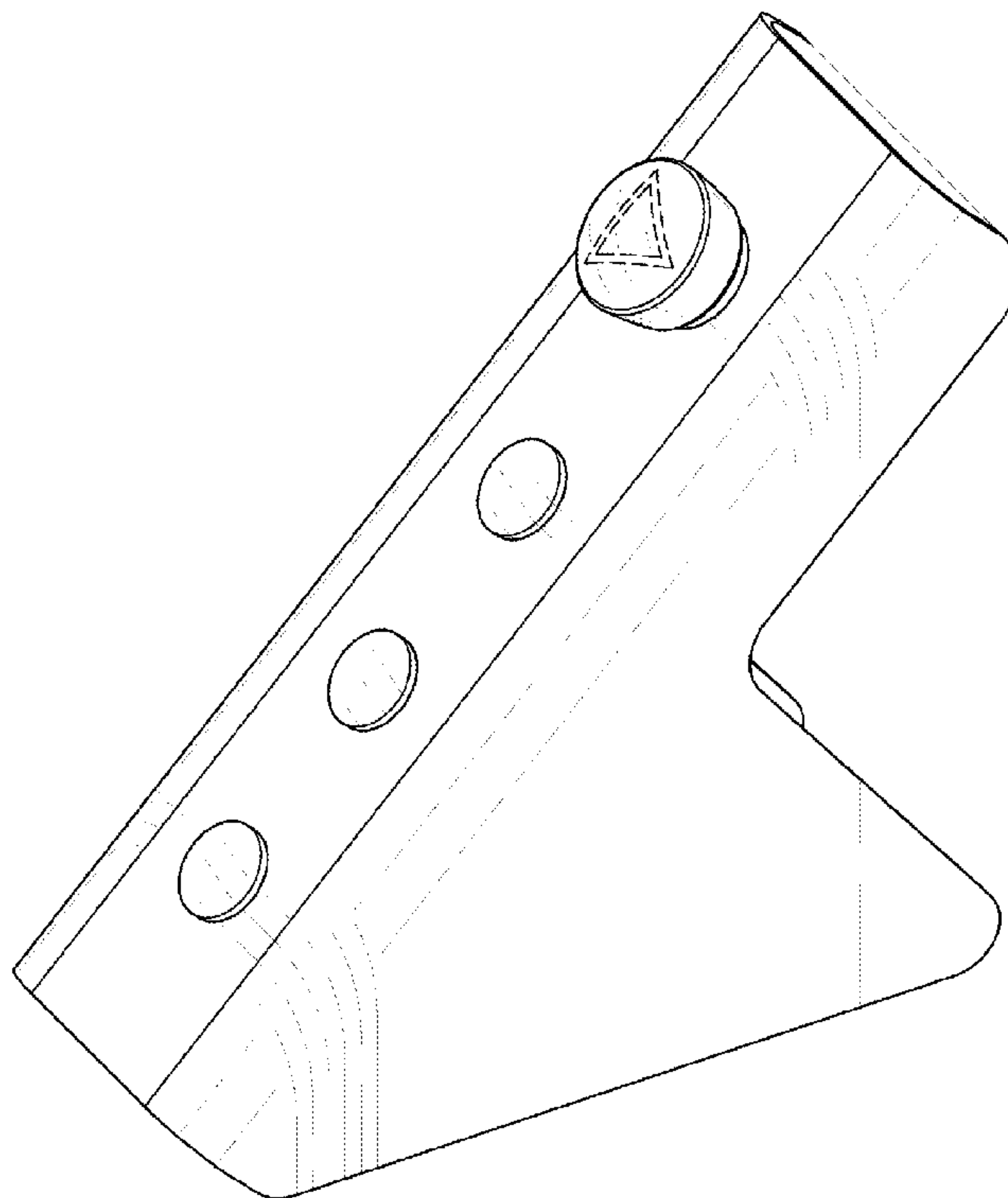


FIG. 1

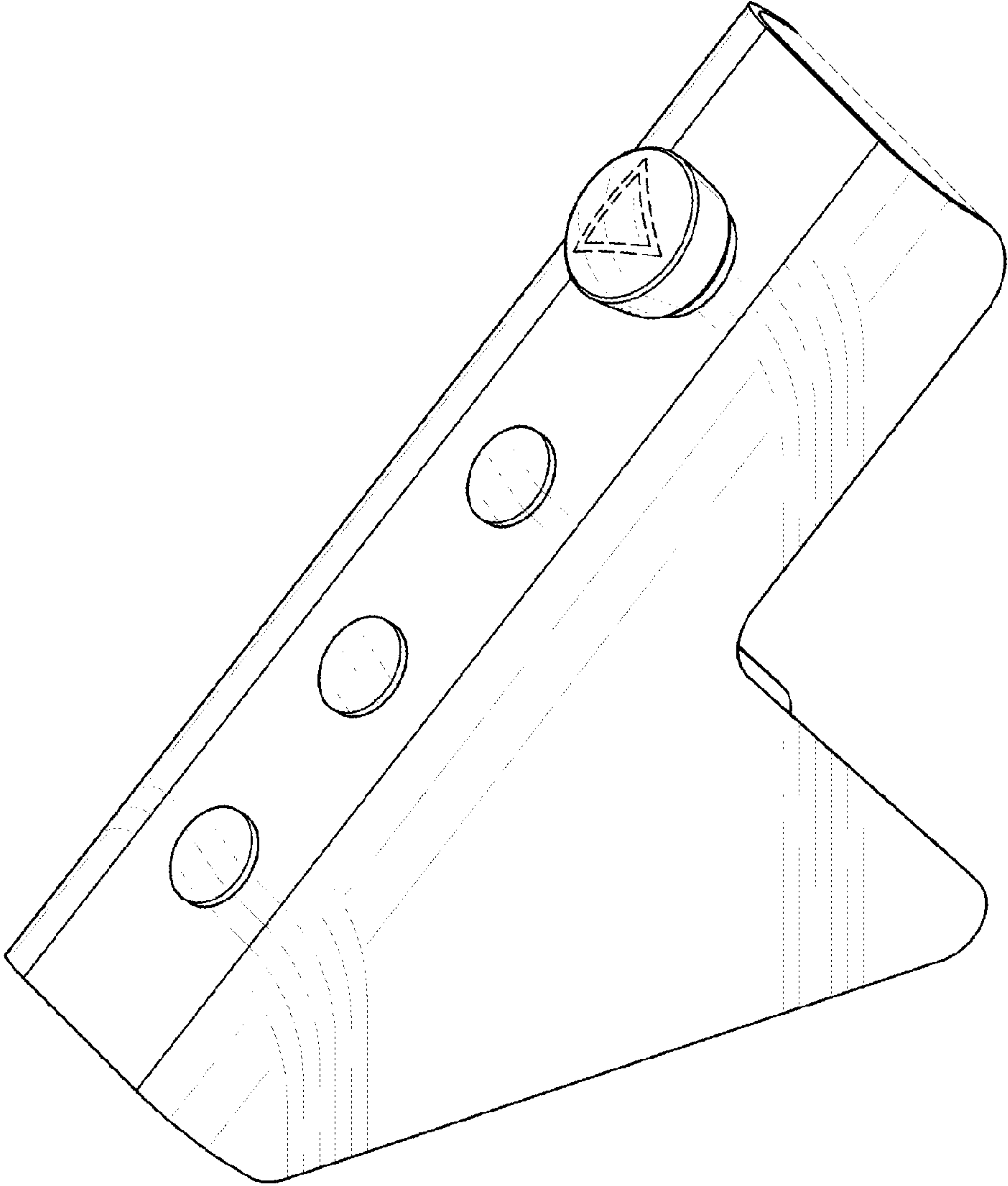


FIG. 2

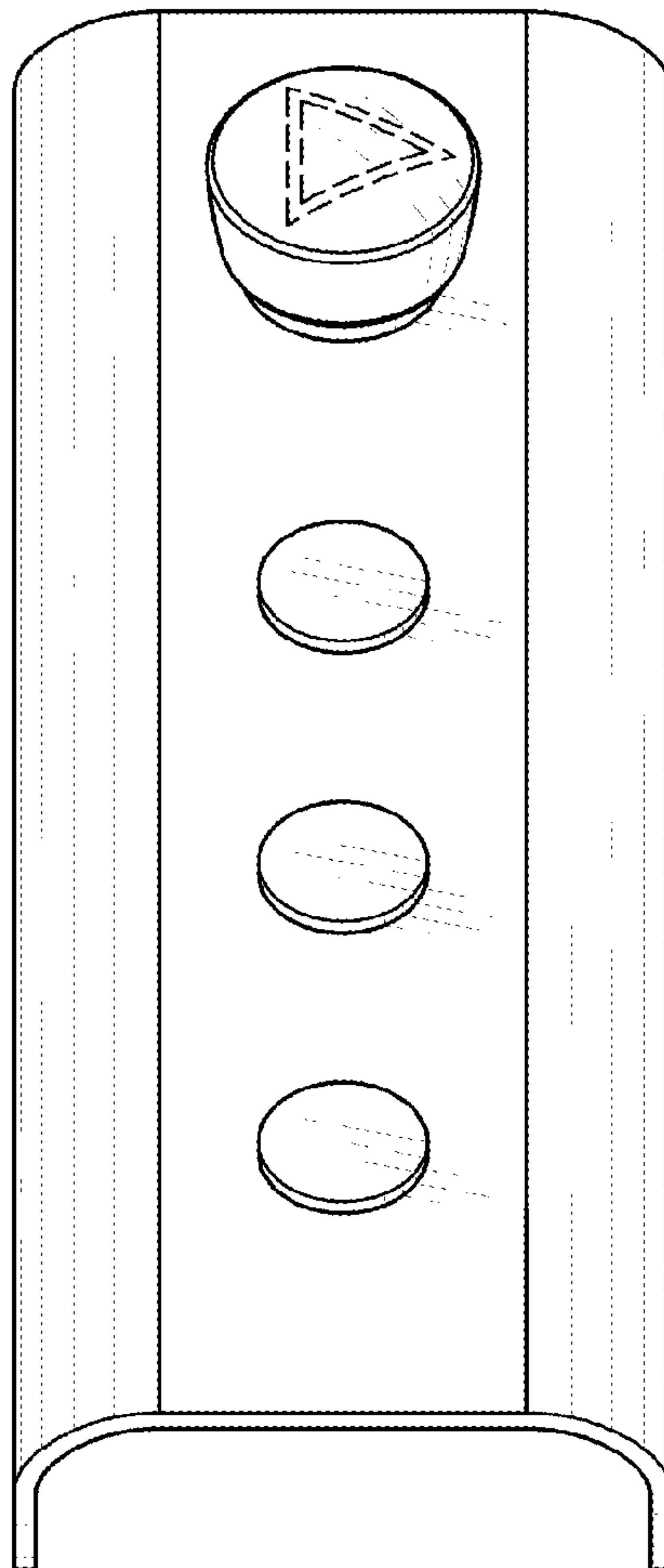


FIG. 3

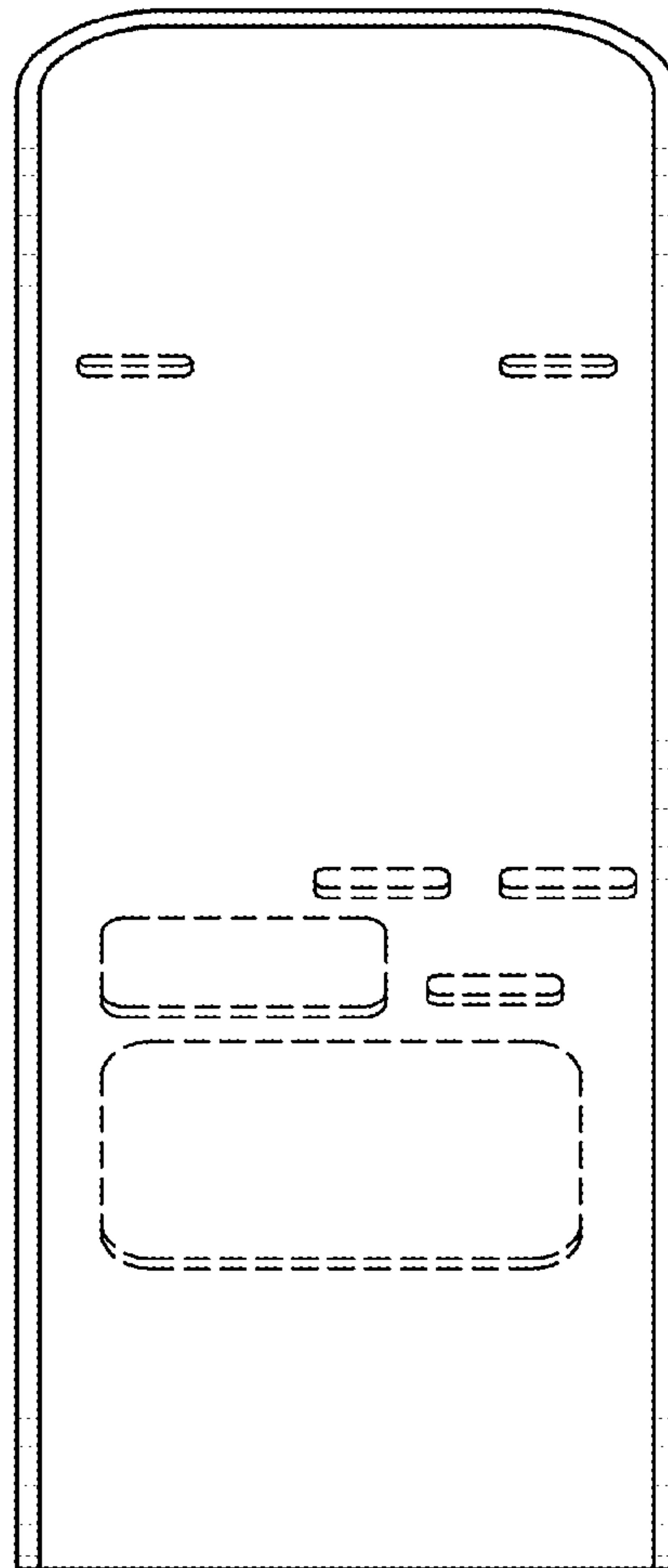


FIG. 4

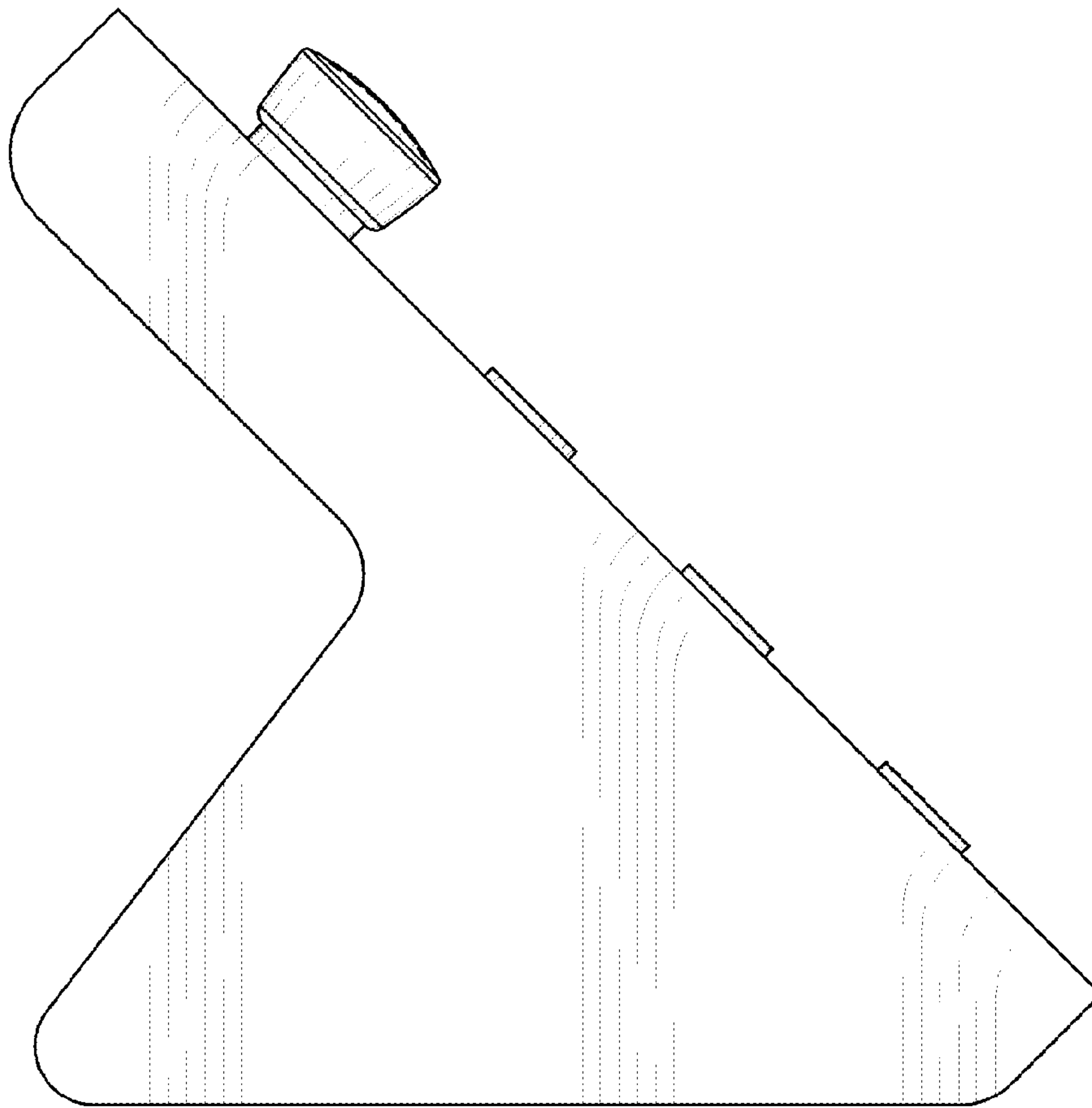


FIG. 5

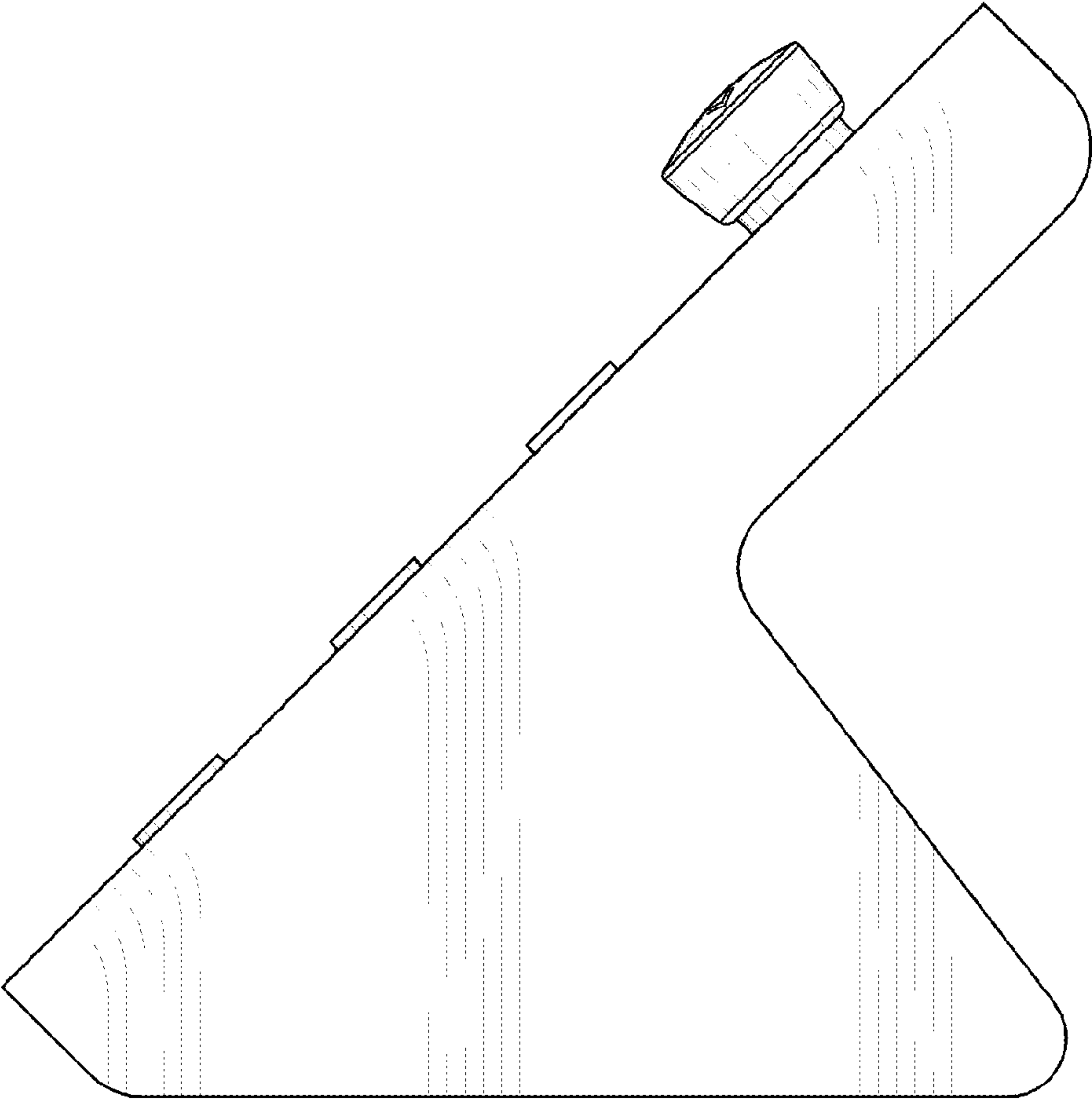


FIG. 6

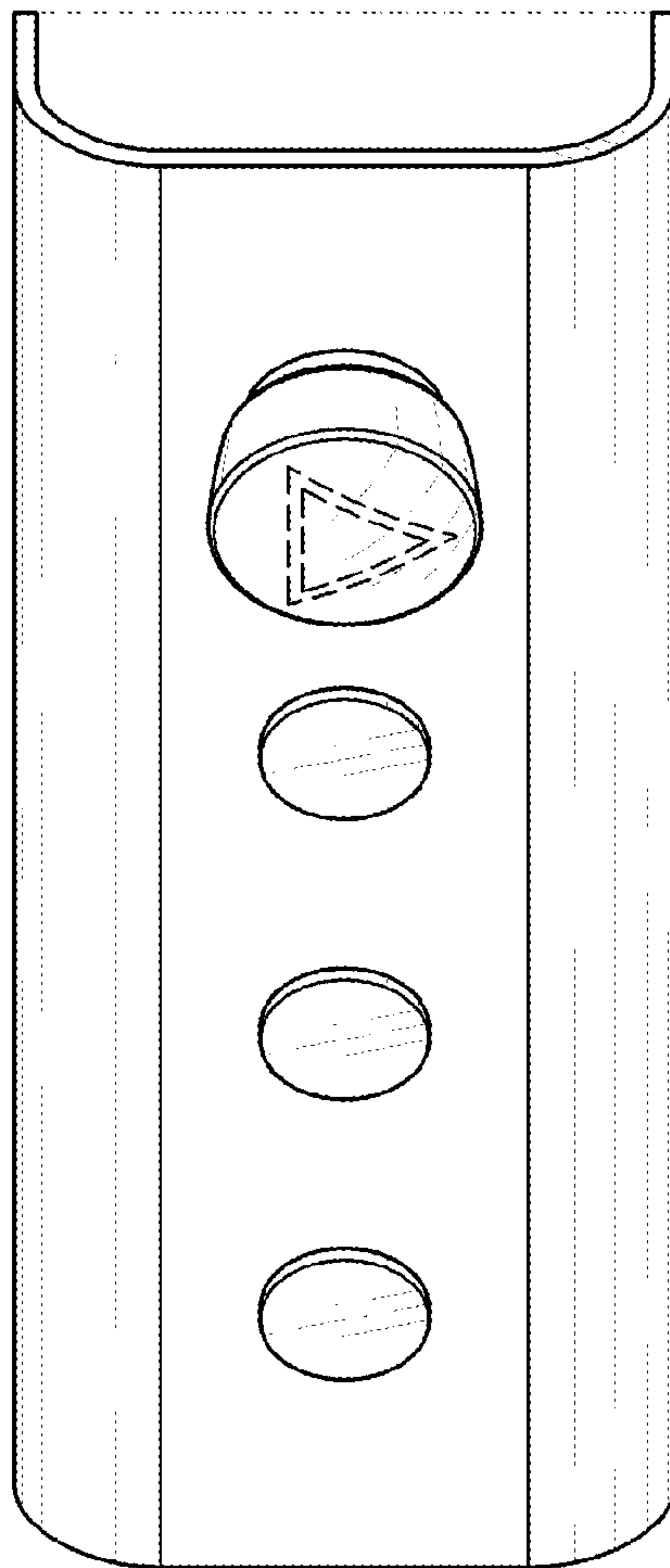


FIG. 7

