



US00D695404S

(12) **United States Design Patent**
Horning et al.

(10) **Patent No.:** **US D695,404 S**

(45) **Date of Patent:** **** Dec. 10, 2013**

(54) **BIOPSY DEVICE**

(75) Inventors: **Julie A. Horning**, Loveland, OH (US);
Kathryn M. Dodd, Cincinnati, OH
(US); **John A. Hibner**, Mason, OH
(US); **Emmanuel V. Tanghal**, Mason,
OH (US)

(73) Assignee: **Devicor Medical Products, Inc.**,
Cincinnati, OH (US)

(**) Term: **14 Years**

(21) Appl. No.: **29/422,286**

(22) Filed: **May 18, 2012**

Related U.S. Application Data

(63) Continuation-in-part of application No. 29/418,015,
filed on Apr. 11, 2012, and a continuation-in-part of
application No. 13/226,660, filed on Sep. 7, 2011.

(51) **LOC (9) Cl.** **24-02**

(52) **U.S. Cl.**
USPC **D24/146**

(58) **Field of Classification Search**

USPC D24/147, 146, 133, 143, 144, 148,
D24/112-114, 127-131, 186; 600/564, 562,
600/101, 139, 143; 606/167, 172, 174, 170,
606/142, 184, 205-208, 181, 185;
604/164.05, 165.03, 167.01, 161, 264,
604/167.02, 272, 533, 525, 905, 912, 83,
604/921, 539, 115, 232, 187, 158, 164.08,
604/192, 263, 163, 181, 184, 198, 227;
128/200.24, 207.14, 207.15

See application file for complete search history.

(56) **References Cited**

U.S. PATENT DOCUMENTS

4,985,020 A * 1/1991 Kasuya 604/192
5,184,625 A 2/1993 Cottone et al.

D335,344 S * 5/1993 Hastings D24/114
D366,698 S * 1/1996 Stiehl et al. D24/114
5,526,822 A 6/1996 Burbank et al.
5,807,338 A * 9/1998 Smith et al. 604/164.01
5,843,039 A * 12/1998 Klemm 604/164.01
D419,236 S * 1/2000 Carlson et al. D24/114
6,068,544 A 5/2000 Chiu
6,228,055 B1 5/2001 Foerster et al.
D449,887 S * 10/2001 Haberland et al. D24/146
D450,843 S 11/2001 McGuckin, Jr. et al.
6,371,904 B1 4/2002 Sirimanne et al.

(Continued)

OTHER PUBLICATIONS

U.S. Appl. No. 13/086,567, filed Apr. 14, 2011, Fiebig.

(Continued)

Primary Examiner — Ian Simmons

Assistant Examiner — Carissa C Fitts

(74) *Attorney, Agent, or Firm* — Frost Brown Todd LLC

(57) **CLAIM**

The ornamental design for a biopsy device, as shown and
described.

DESCRIPTION

FIG. 1 is a top perspective view of a biopsy device, showing
our new design;

FIG. 2 is a bottom perspective view thereof;

FIG. 3 is a front elevation view thereof;

FIG. 4 is a rear elevation view thereof;

FIG. 5 is a left elevation view thereof;

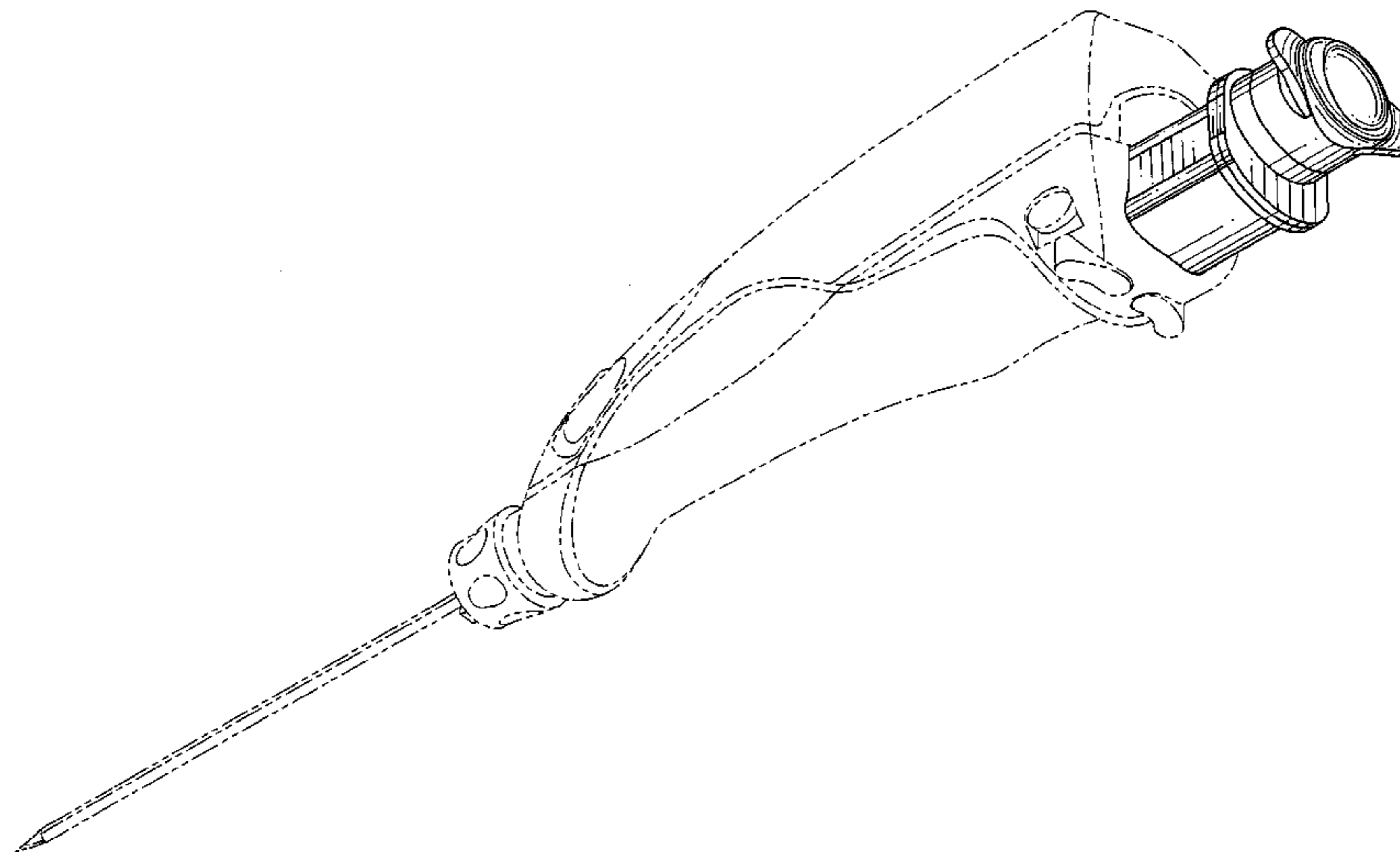
FIG. 6 is a right elevation view thereof;

FIG. 7 is a top plan view thereof; and,

FIG. 8 is a bottom plan view thereof.

The needle assembly, holster assembly, and probe body
assembly shown in broken lines are unclaimed subject matter
and form no part of the claimed design.

1 Claim, 5 Drawing Sheets



(56)

References Cited

U.S. PATENT DOCUMENTS

D478,987 S * 8/2003 Groenke et al. D24/146
 6,626,849 B2 9/2003 Huitema et al.
 6,689,072 B2 2/2004 Kaplan et al.
 6,752,768 B2 6/2004 Burdorff et al.
 6,993,375 B2 1/2006 Burbank et al.
 6,996,433 B2 2/2006 Burbank et al.
 7,025,732 B2 4/2006 Thompson et al.
 7,044,957 B2 5/2006 Foerster et al.
 7,047,063 B2 5/2006 Burbank et al.
 7,229,417 B2 6/2007 Foerster et al.
 7,252,641 B2 8/2007 Thompson et al.
 D557,337 S * 12/2007 Isaacs D19/42
 7,442,171 B2 10/2008 Stephens et al.
 7,465,279 B2 12/2008 Beckman et al.
 7,575,556 B2 8/2009 Speeg et al.
 D605,764 S * 12/2009 Griffis et al. D24/145
 7,645,240 B2 1/2010 Thompson et al.
 D625,815 S * 10/2010 Griffis et al. D24/145
 7,828,748 B2 11/2010 Hibner
 7,842,217 B2 * 11/2010 Enns et al. 264/259
 7,854,706 B2 12/2010 Hibner
 7,862,518 B2 1/2011 Parihar
 D635,249 S * 3/2011 Becker D24/114
 D636,078 S * 4/2011 Leybold et al. D24/129
 D640,785 S * 6/2011 Lee D24/112
 7,981,051 B2 7/2011 Quick et al.
 7,988,642 B2 8/2011 Hardin et al.
 8,016,772 B2 9/2011 Heske et al.
 8,083,687 B2 12/2011 Parihar
 D659,828 S * 5/2012 Horning et al. D24/146
 D660,430 S 5/2012 Horning et al.
 D660,957 S * 5/2012 Lee-Sepsick D24/112
 8,197,404 B2 6/2012 Cropper et al.
 8,206,316 B2 6/2012 Hibner et al.
 D665,909 S * 8/2012 Dodd et al. D24/146

D667,947 S * 9/2012 Py et al. D24/112
 D671,644 S * 11/2012 Dodd et al. D24/146
 D672,456 S * 12/2012 Lee-Sepsick D24/112
 D674,086 S * 1/2013 Khalaj D24/114
 8,376,957 B2 * 2/2013 Hibner et al. 600/566
 8,403,863 B2 * 3/2013 Al Mohizea 600/566
 2006/0074345 A1 4/2006 Hibner
 2008/0071278 A1 * 3/2008 Assell et al. 606/79
 2008/0195066 A1 8/2008 Speeg et al.
 2008/0200836 A1 8/2008 Speeg et al.
 2008/0214955 A1 9/2008 Speeg et al.
 2009/0137928 A1 * 5/2009 Quick et al. 600/566
 2009/0209854 A1 8/2009 Parihar et al.
 2009/0270725 A1 10/2009 Leimbach et al.
 2010/0049084 A1 2/2010 Nock et al.
 2010/0152610 A1 6/2010 Parihar et al.
 2010/0160811 A1 * 6/2010 Parihar et al. 600/562
 2010/0160816 A1 6/2010 Parihar et al.
 2010/0160819 A1 6/2010 Parihar et al.
 2010/0160824 A1 6/2010 Parihar et al.
 2011/0071391 A1 3/2011 Speeg
 2011/0071423 A1 3/2011 Speeg et al.
 2011/0071424 A1 3/2011 Nock et al.
 2011/0071431 A1 3/2011 Speeg et al.
 2011/0201964 A1 8/2011 Speeg et al.
 2011/0208086 A1 8/2011 Hibner et al.
 2011/0208090 A1 8/2011 Parihar
 2011/0218433 A1 9/2011 Speeg et al.
 2012/0065542 A1 3/2012 Hibner et al.
 2012/0109007 A1 5/2012 Rhad et al.

OTHER PUBLICATIONS

U.S. Appl. No. 13/099,497, filed May 3, 2011, Moore et al.
 U.S. Appl. No. 13/150,950, filed Jun. 1, 2011, Rhad et al.
 U.S. Appl. No. 13/205,189, filed Aug. 8, 2011, Fiebig et al.

* cited by examiner

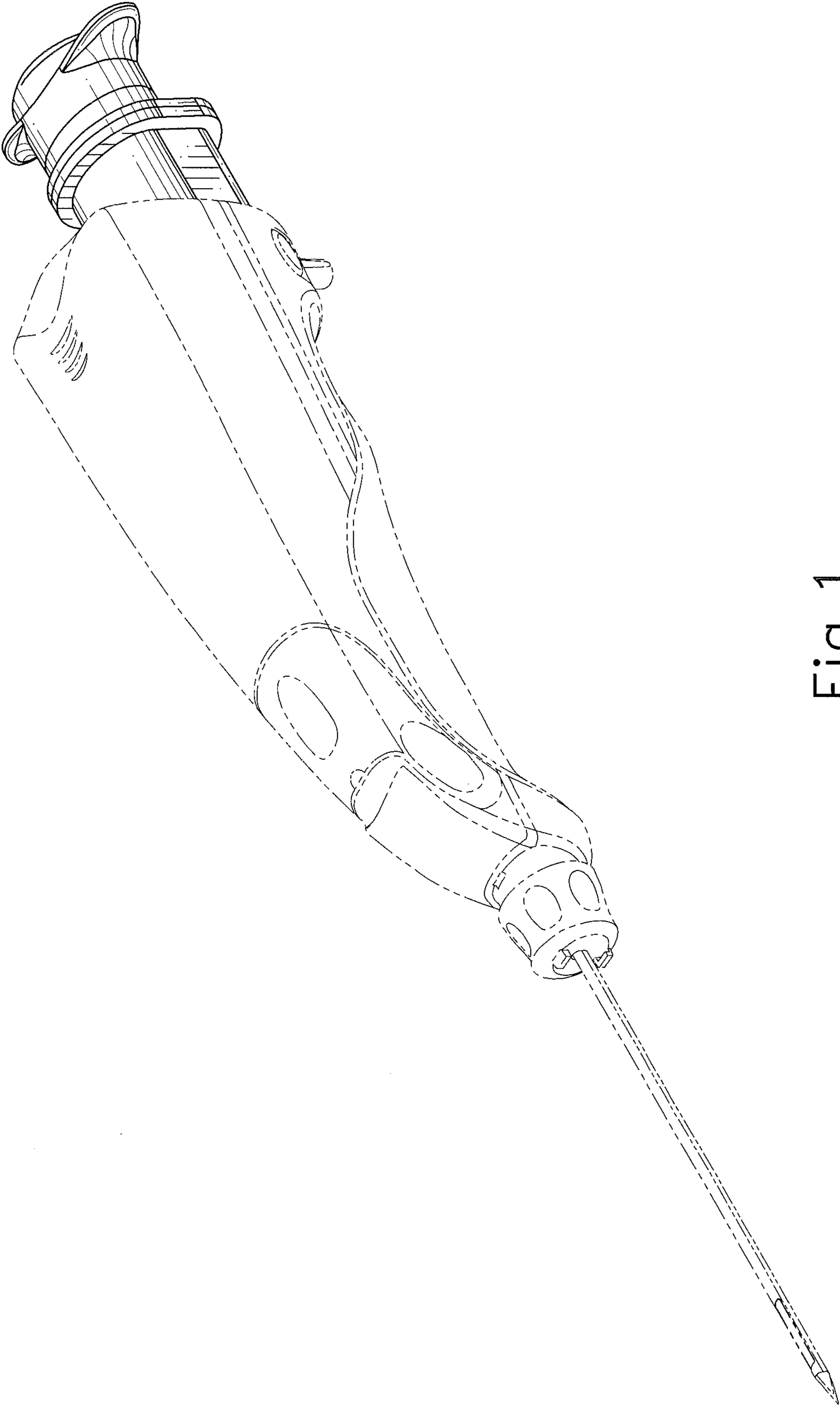


Fig. 1

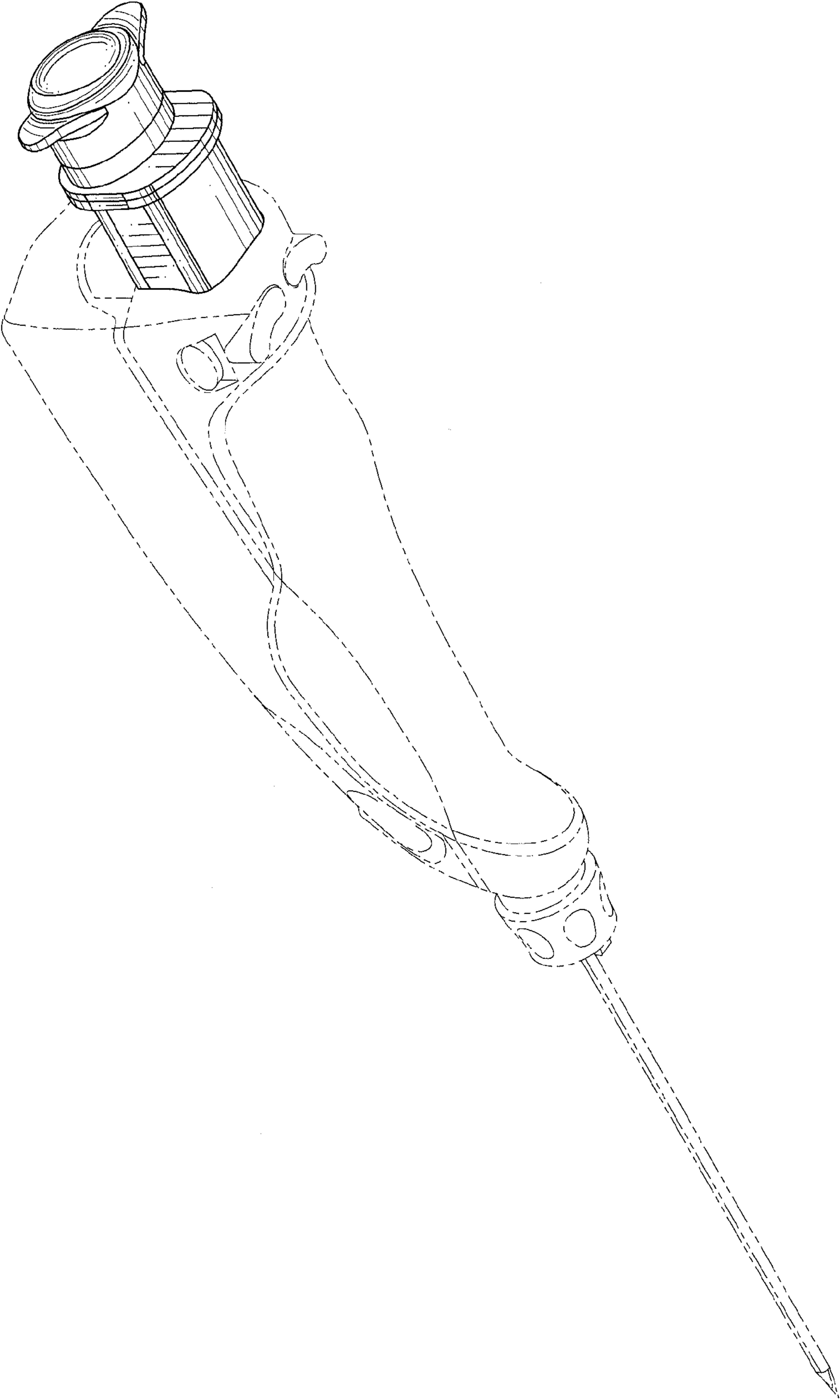


Fig. 2

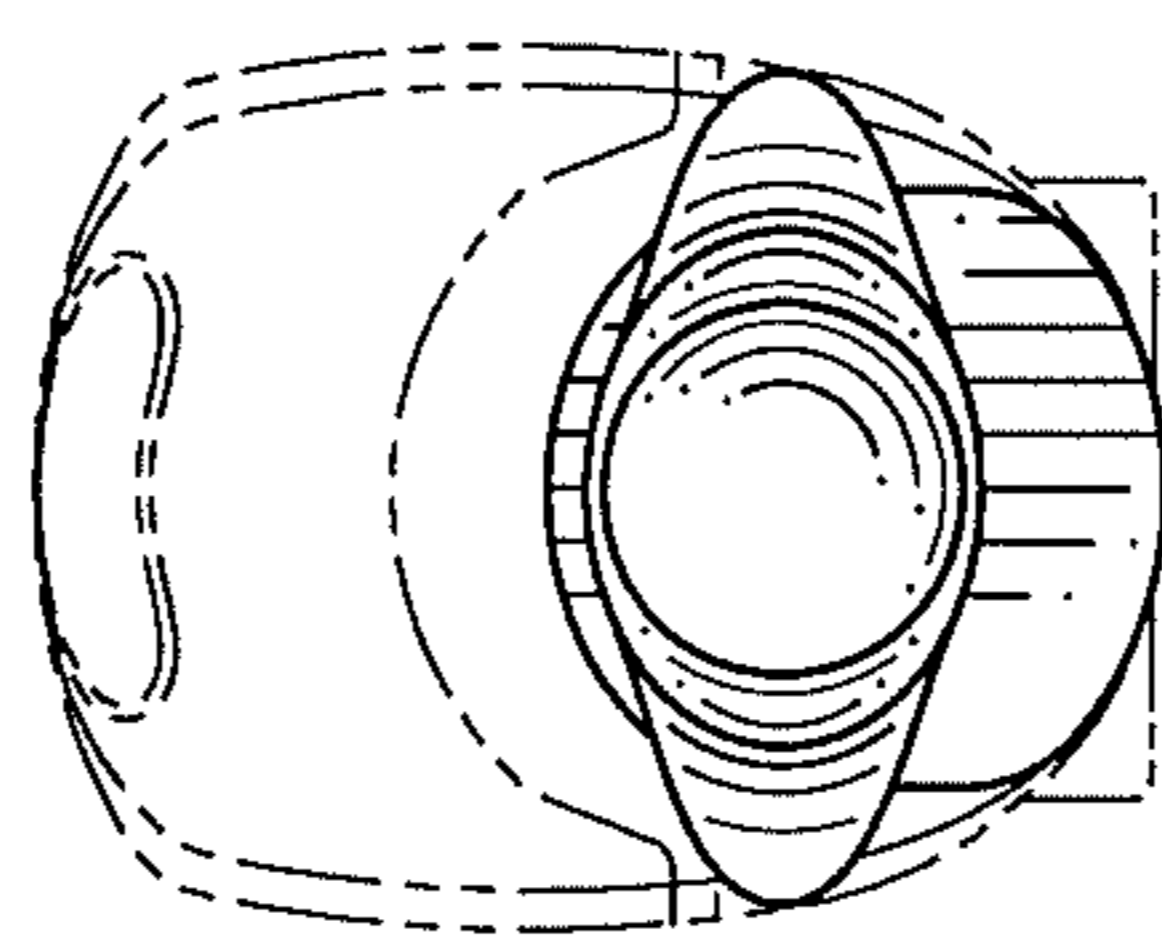


Fig. 4

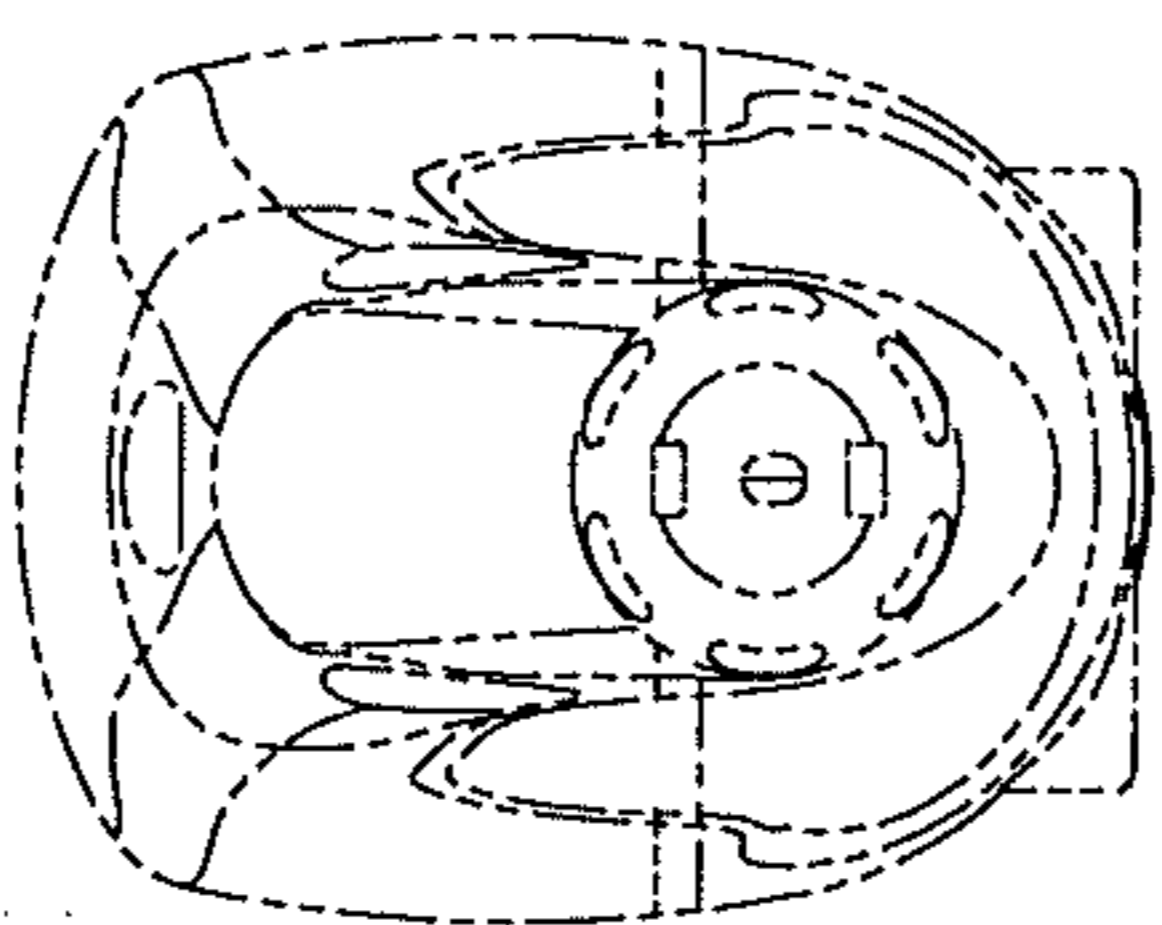


Fig. 3

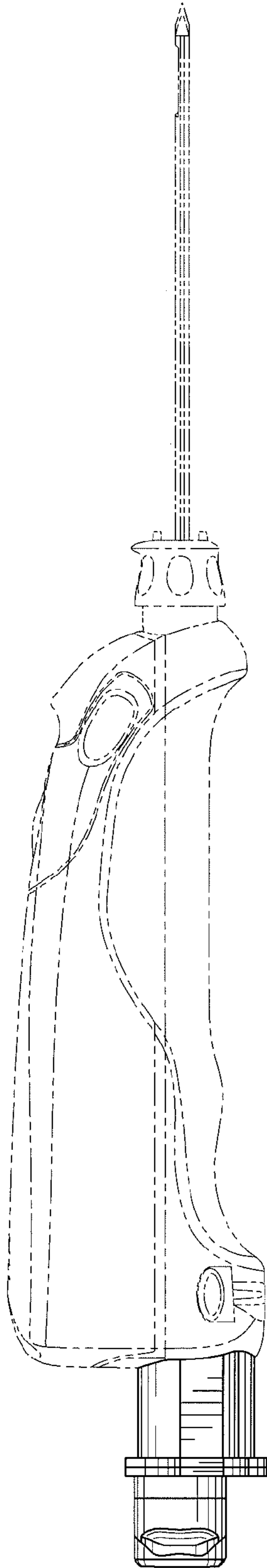


Fig. 5

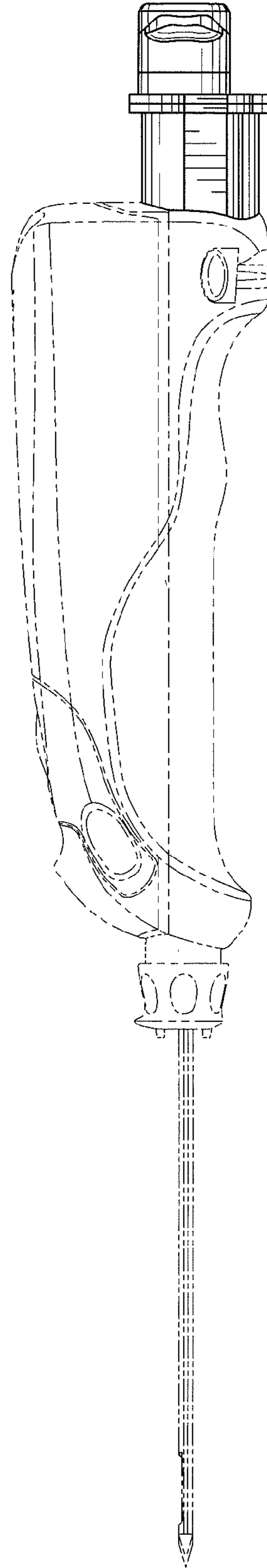


Fig. 6

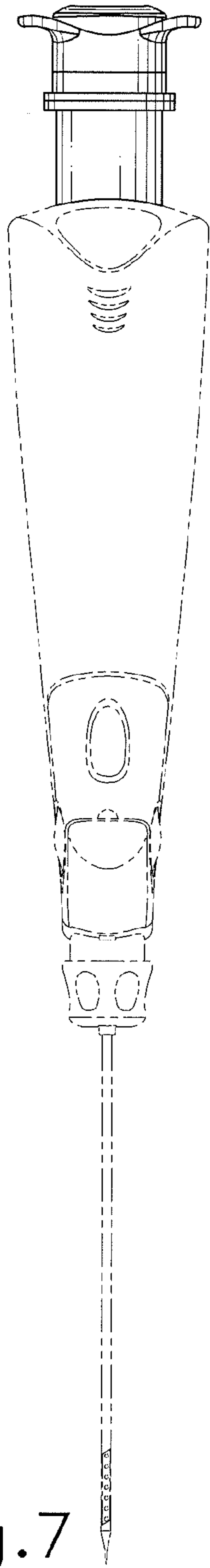


Fig. 7

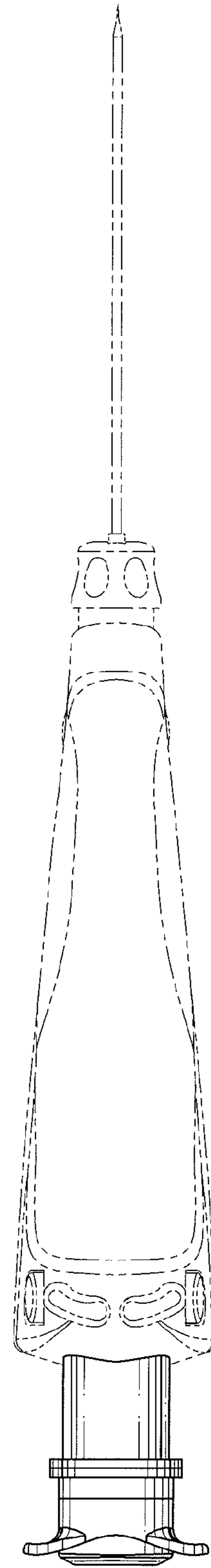


Fig. 8