

US00D695401S

(12) **United States Design Patent**  
**Huels et al.**

(10) **Patent No.:** **US D695,401 S**  
(45) **Date of Patent:** **\*\* Dec. 10, 2013**

(54) **LARYNGOSCOPE**

(75) Inventors: **Dieter Huels**, Stockach (DE); **Fabian Zimmerli**, Warth (CH); **Eugenia Fuhr**, Tuttlingen (DE); **Ulrich Merz**, Villingen-Schwenningen (DE); **Martin Renner**, Liptingen (DE)

(73) Assignee: **Karl Storz GmbH & Co. KG** (DE)

(\*\*) Term: **14 Years**

(21) Appl. No.: **29/425,406**

(22) Filed: **Jun. 22, 2012**

(30) **Foreign Application Priority Data**

Dec. 23, 2011 (EM) ..... 001968330-0018

(51) **LOC (9) Cl.** ..... **24-02**

(52) **U.S. Cl.**  
USPC ..... **D24/137**

(58) **Field of Classification Search**  
USPC ..... D24/137, 133, 135, 136, 138;  
600/185-199; 606/196  
See application file for complete search history.

(56) **References Cited**

**U.S. PATENT DOCUMENTS**

D304,494 S \* 11/1989 Rosenwald et al. .... D24/138  
5,842,973 A \* 12/1998 Bullard ..... 600/194  
5,897,489 A \* 4/1999 Urbanowicz et al. .... 600/185  
D410,286 S \* 5/1999 Tamirisa ..... D24/138  
6,543,447 B2 4/2003 Pacey  
6,655,377 B2 12/2003 Pacey  
6,840,903 B2 \* 1/2005 Mazzei et al. .... 600/188

6,875,169 B2 \* 4/2005 Berci et al. .... 600/112  
D582,552 S \* 12/2008 Berberich ..... D24/146  
D610,682 S \* 2/2010 Stefan ..... D24/140  
2010/0121152 A1 \* 5/2010 Boedeker ..... 600/187

**OTHER PUBLICATIONS**

Ambu—Ideas That Work for Life; Ambu GmbH Feb. 2009; 2 pages.  
Ambu—Ideas That Work for Life; Ambu GmbH Mar. 31, 2010; 7 pages.  
Glidescope—Video Laryngoscopes; Ranger Single Use; Verathon Medical 2008; 2 pages.  
Glidescope—Video Laryngoscopes; Verathon Medical 2009; 2 pages.  
Glidescope—Video Laryngoscopes; Cobalt AVL Preterm/Neonatal; Verathon Medical 2010; 2 pages.

\* cited by examiner

*Primary Examiner* — Bridget L Eland

(74) *Attorney, Agent, or Firm* — St. Onge Steward Johnston & Reens LLC

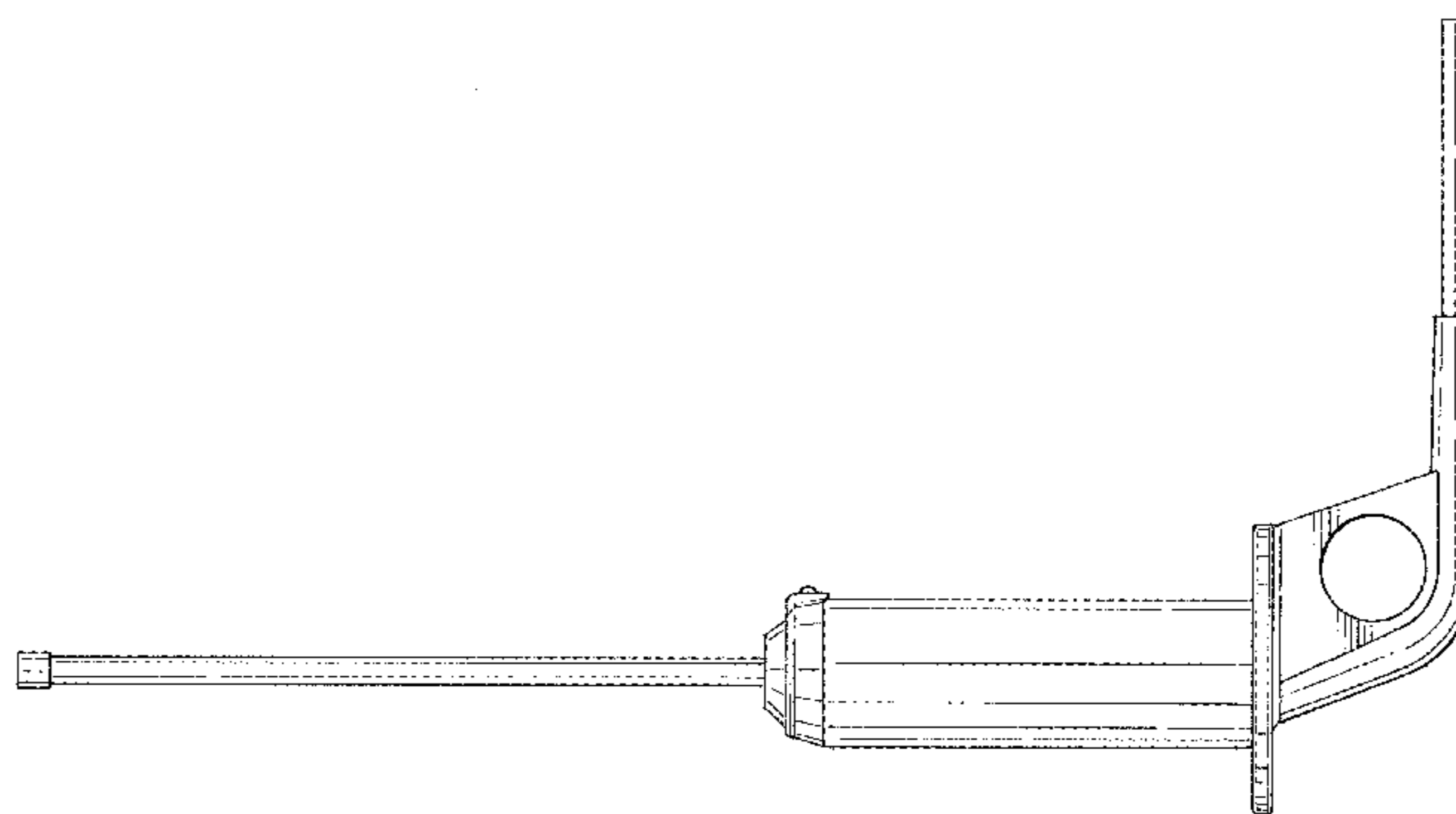
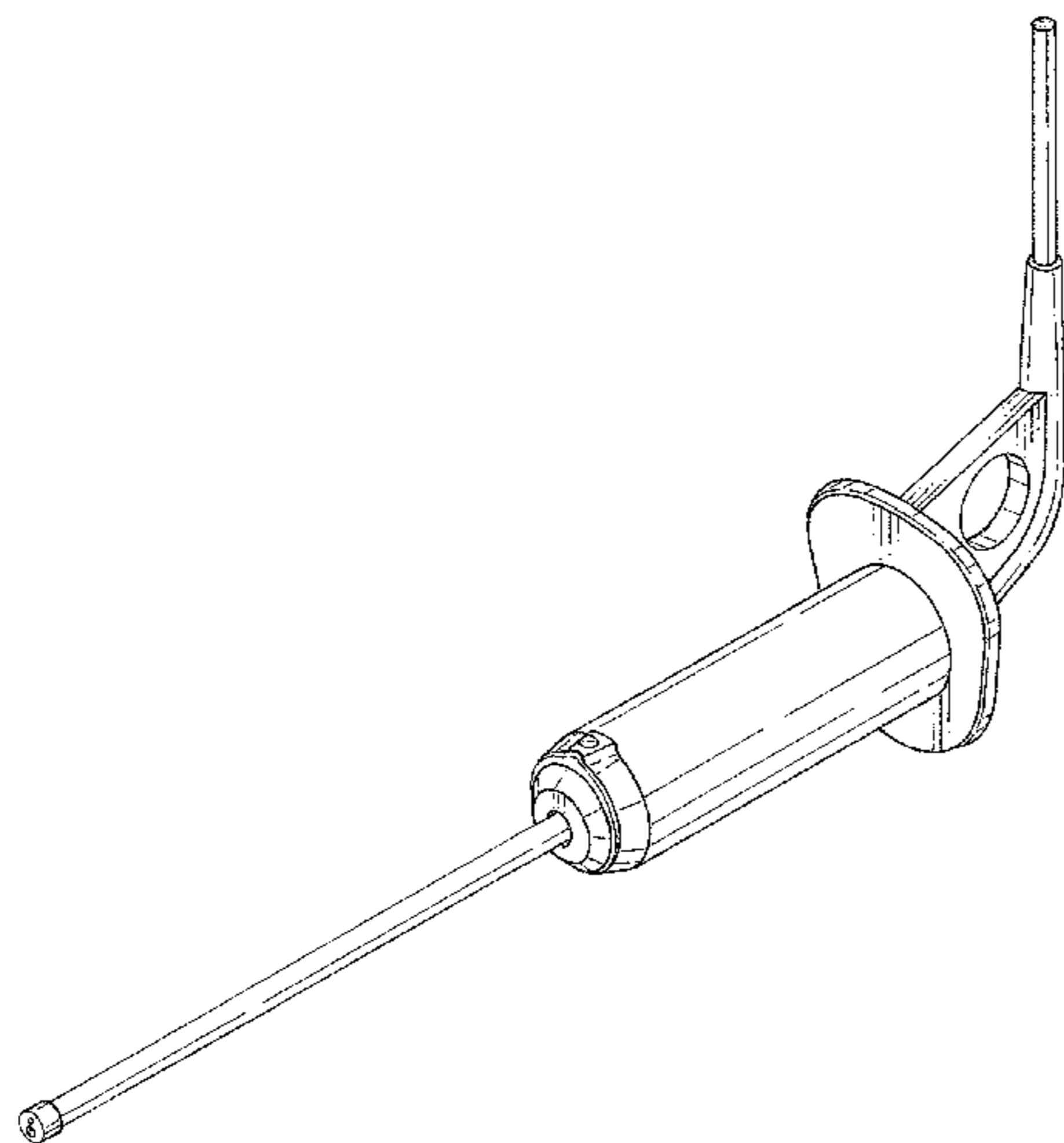
(57) **CLAIM**

The ornamental design for a laryngoscope, as shown and described.

**DESCRIPTION**

FIG. 1 is a front left side isometric view of a laryngoscope in accordance with the new design;  
FIG. 2 is a left side elevation view thereof;  
FIG. 3 is a right side elevation view thereof;  
FIG. 4 is a top plan view thereof;  
FIG. 5 is a bottom plan view thereof;  
FIG. 6 is a front elevation view thereof; and,  
FIG. 7 is a rear elevation view thereof.

**1 Claim, 7 Drawing Sheets**



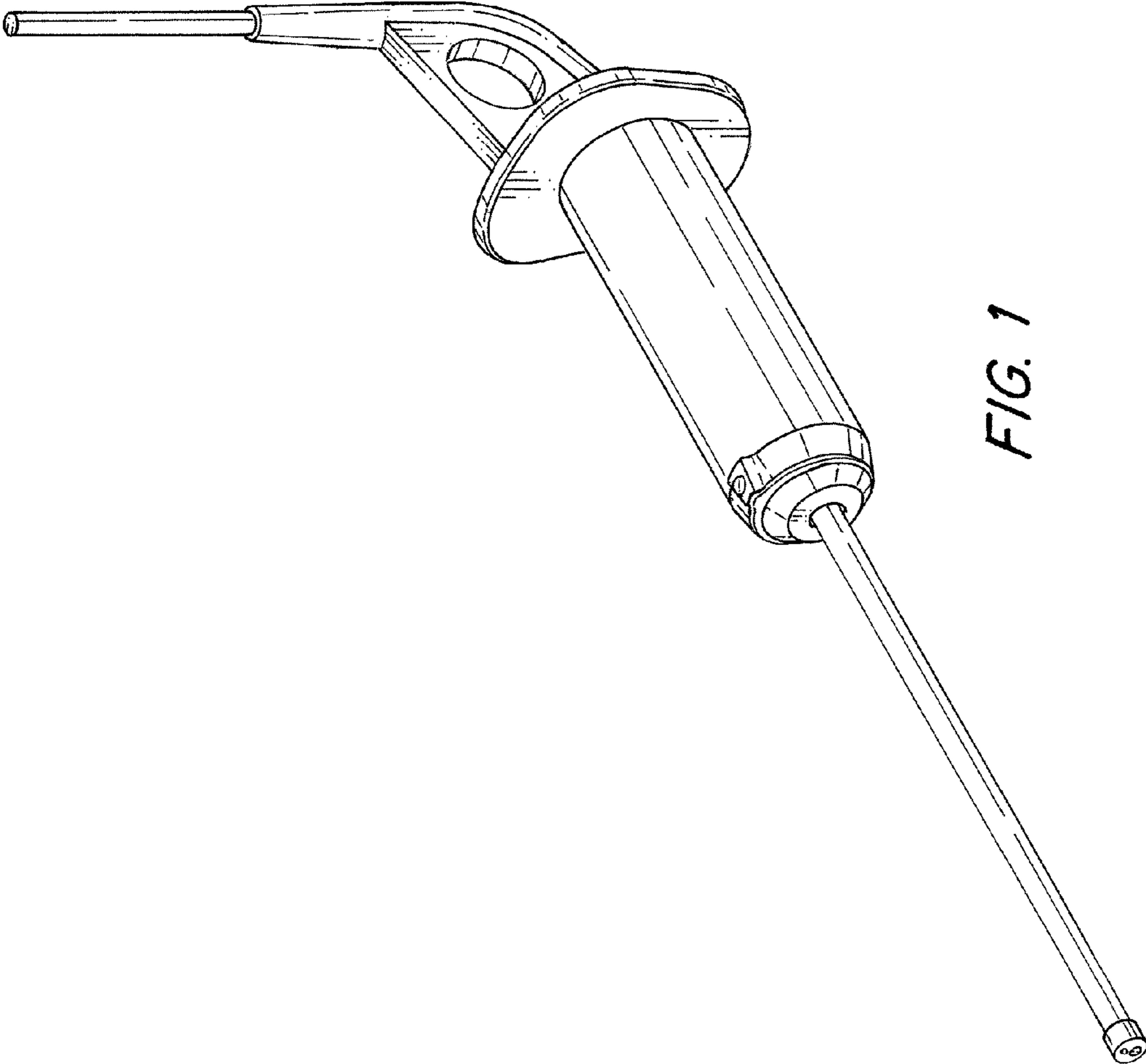


FIG. 1

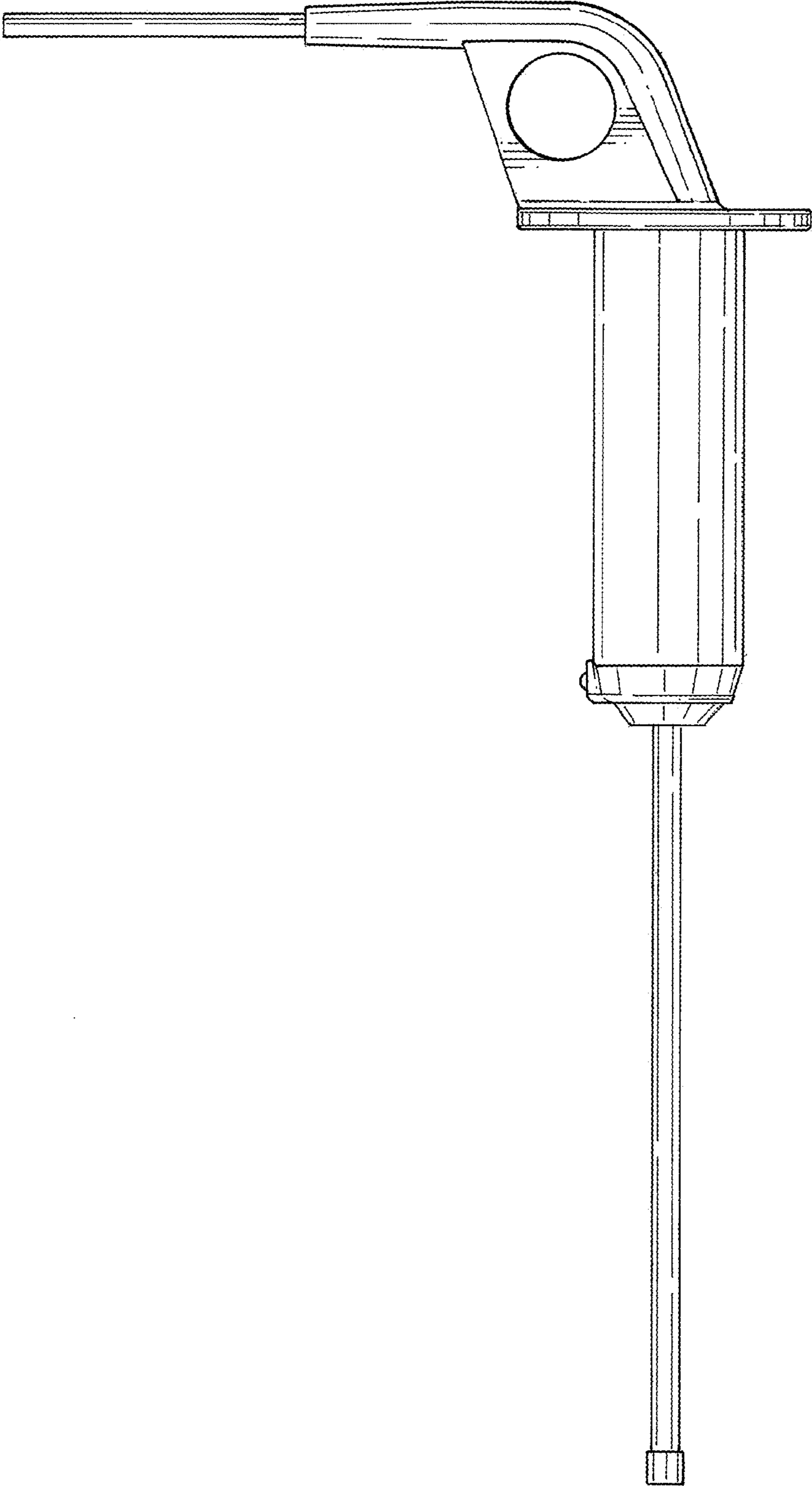


FIG. 2

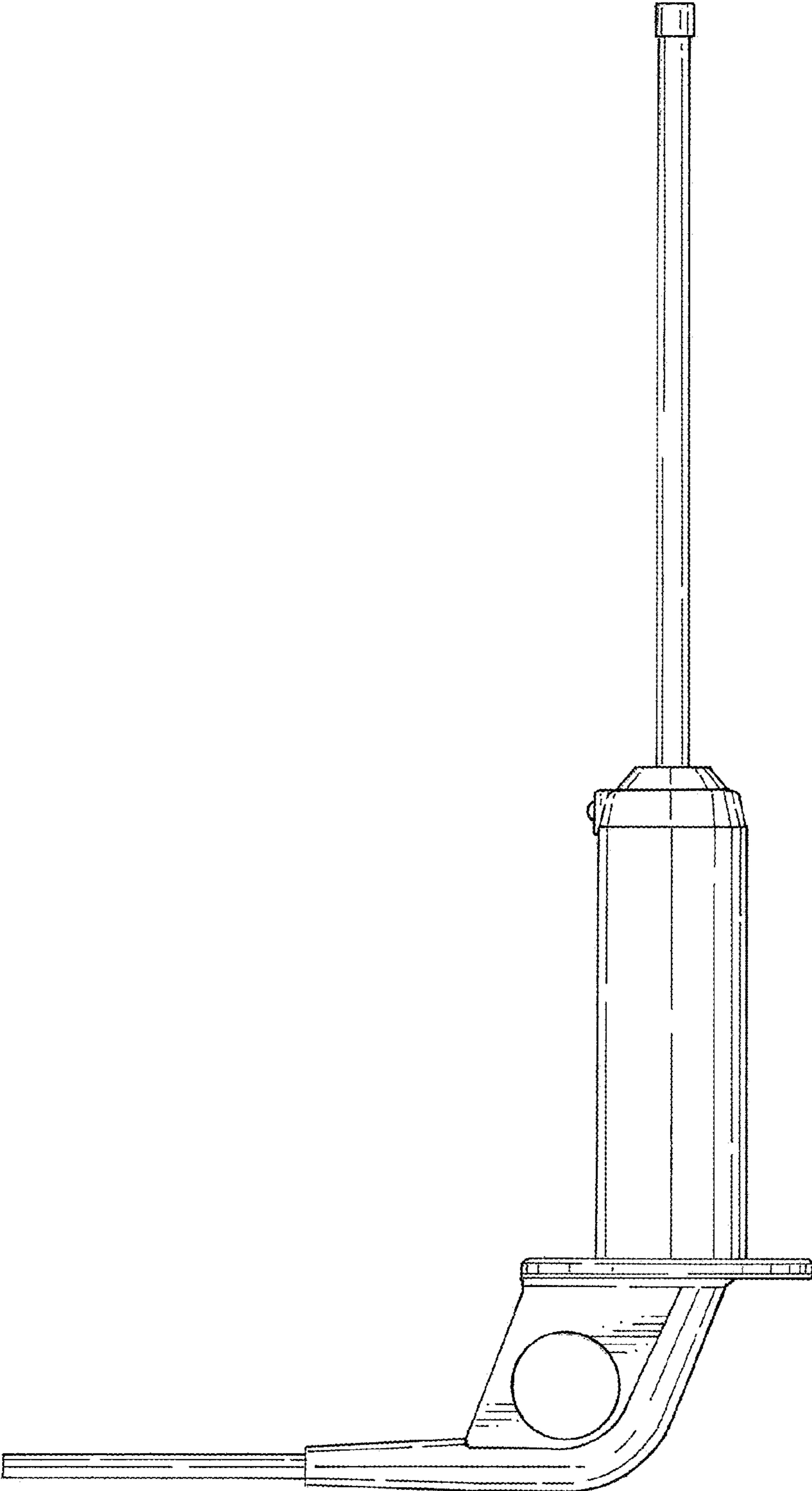


FIG. 3

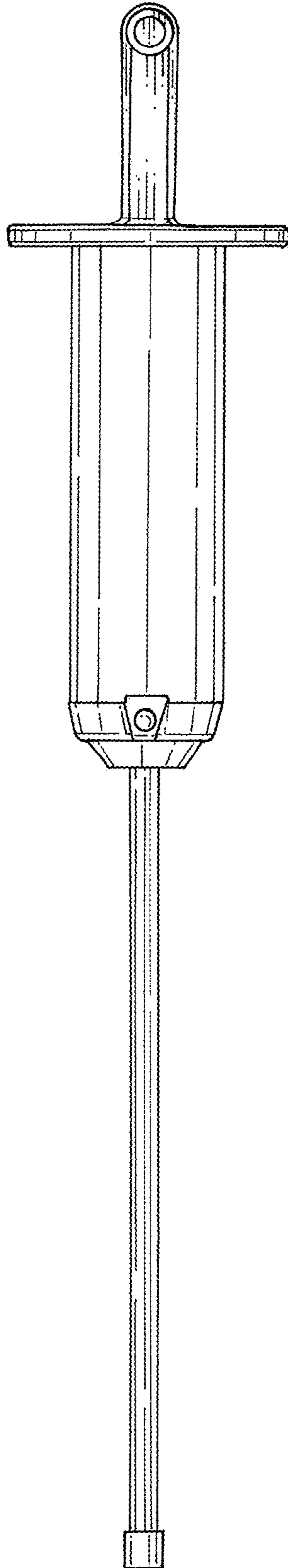
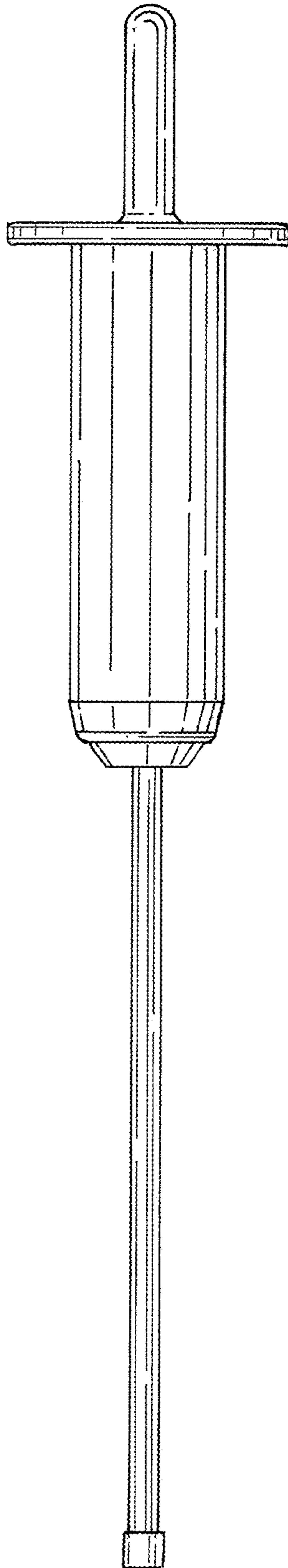
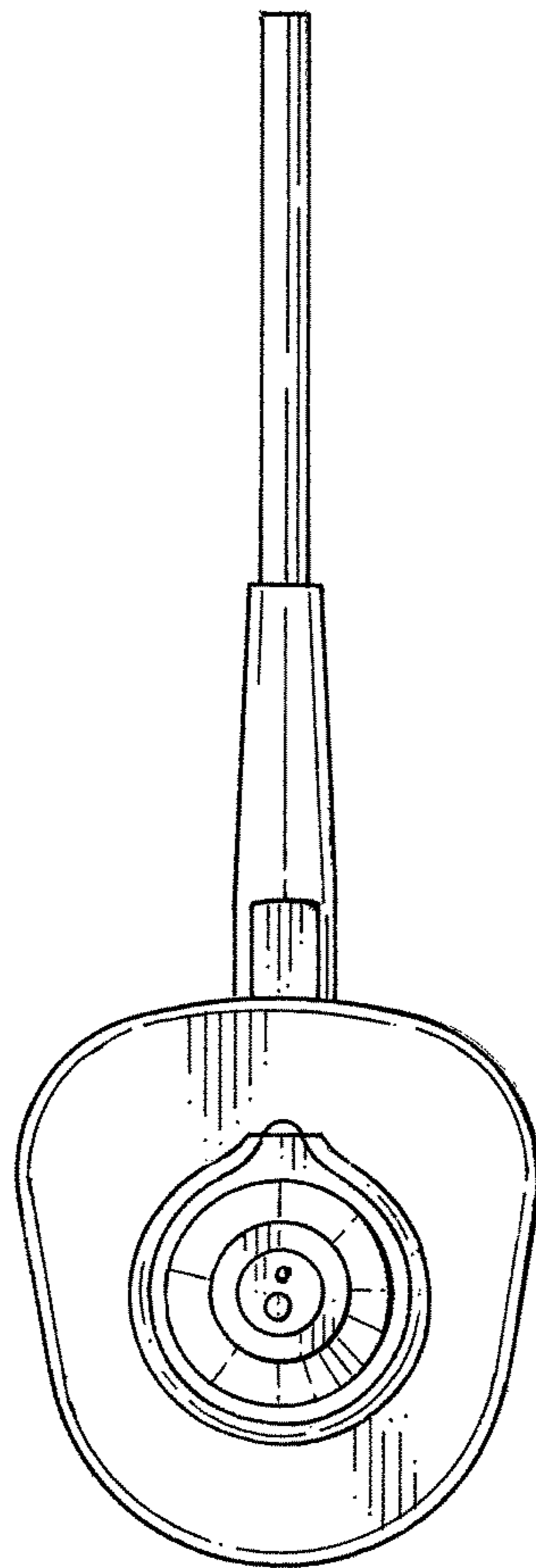


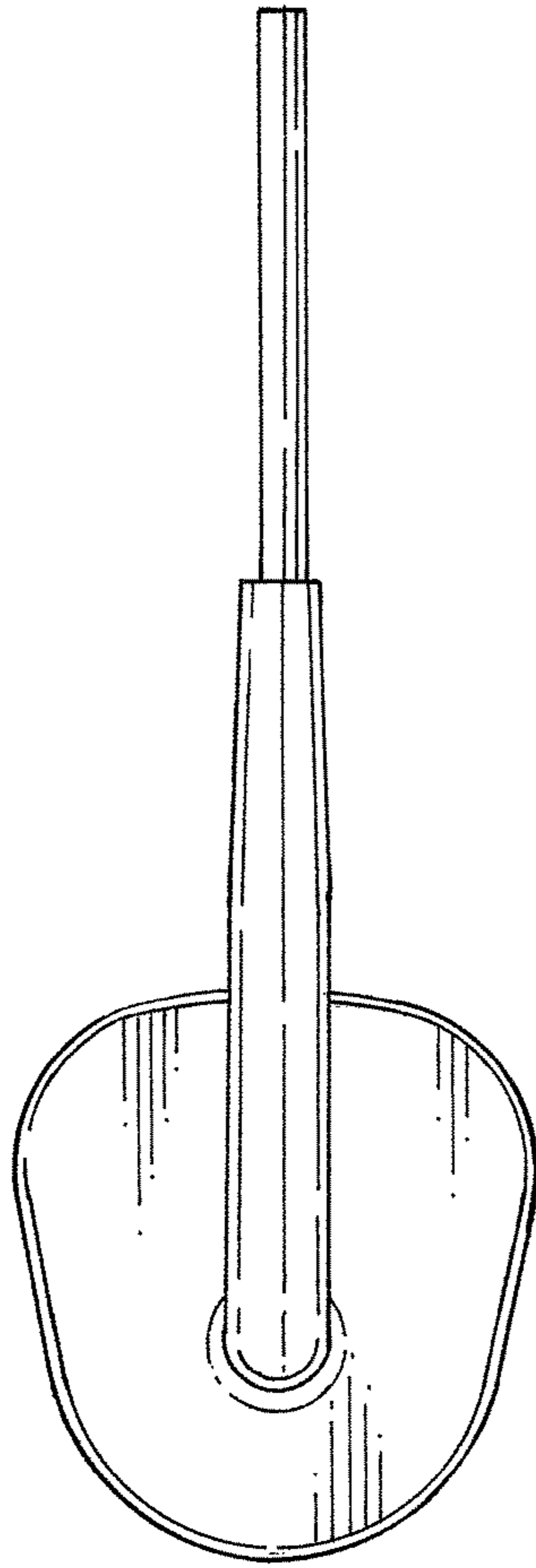
FIG. 4



*FIG. 5*



*FIG. 6*



*FIG. 7*