



US00D695398S

(12) **United States Design Patent**  
**Solomon et al.**

(10) **Patent No.:** **US D695,398 S**

(45) **Date of Patent:** **\*\* Dec. 10, 2013**

(54) **CAP FOR USE WITH ONE OR MORE  
MEDICAL CONNECTORS**

(75) Inventors: **Donald D. Solomon**, North Salt lake, UT (US); **F. Mark Ferguson**, Salt Lake City, UT (US); **Steven Bandis**, West Jordan, UT (US); **James Mercer**, West Jordan, UT (US); **Michael Howlett**, Salt Lake City, UT (US); **Robert Hitchcock**, Sandy, UT (US)

(73) Assignees: **Catheter Connections, Inc.**, Salt Lake City, UT (US); **The University of Utah Research Foundation**, Salt Lake City, UT (US)

(\*\*) Term: **14 Years**

(21) Appl. No.: **29/383,403**

(22) Filed: **Jan. 17, 2011**

**Related U.S. Application Data**

(63) Continuation-in-part of application No. 12/610,141, filed on Oct. 30, 2009, now Pat. No. 8,172,825, and a continuation-in-part of application No. 12/917,336, filed on Nov. 1, 2010.

(51) **LOC (9) Cl.** ..... **24-02**

(52) **U.S. Cl.**  
USPC ..... **D24/129**

(58) **Field of Classification Search**  
USPC ..... D24/127-131, 110-110.5, 112-114, D24/133, 186, 147; 606/181, 185; 604/232, 604/187, 158, 164.08, 192, 263, 163, 181, 604/184, 198, 227, 80, 191; 600/101, 139, 600/143; 128/200.24, 207.14, 207.15; D8/396; 137/118.04; D9/435, 504; D19/46, 57

See application file for complete search history.

(56) **References Cited**

U.S. PATENT DOCUMENTS

1,868,200 A \* 7/1932 Freedman ..... D19/44  
2,351,804 A 6/1944 Bium

(Continued)

FOREIGN PATENT DOCUMENTS

WO WO-2006/099306 9/2006  
WO WO-2008/089196 7/2008

(Continued)

OTHER PUBLICATIONS

Final Office Action mailed Apr. 22, 2011 in co-pending U.S. Appl. No. 12/164,310, now published as U.S. Publication No. US-2009/0008393.

(Continued)

*Primary Examiner* — David Muller

(74) *Attorney, Agent, or Firm* — Sunstein Kann Murphy & Timbers LLP

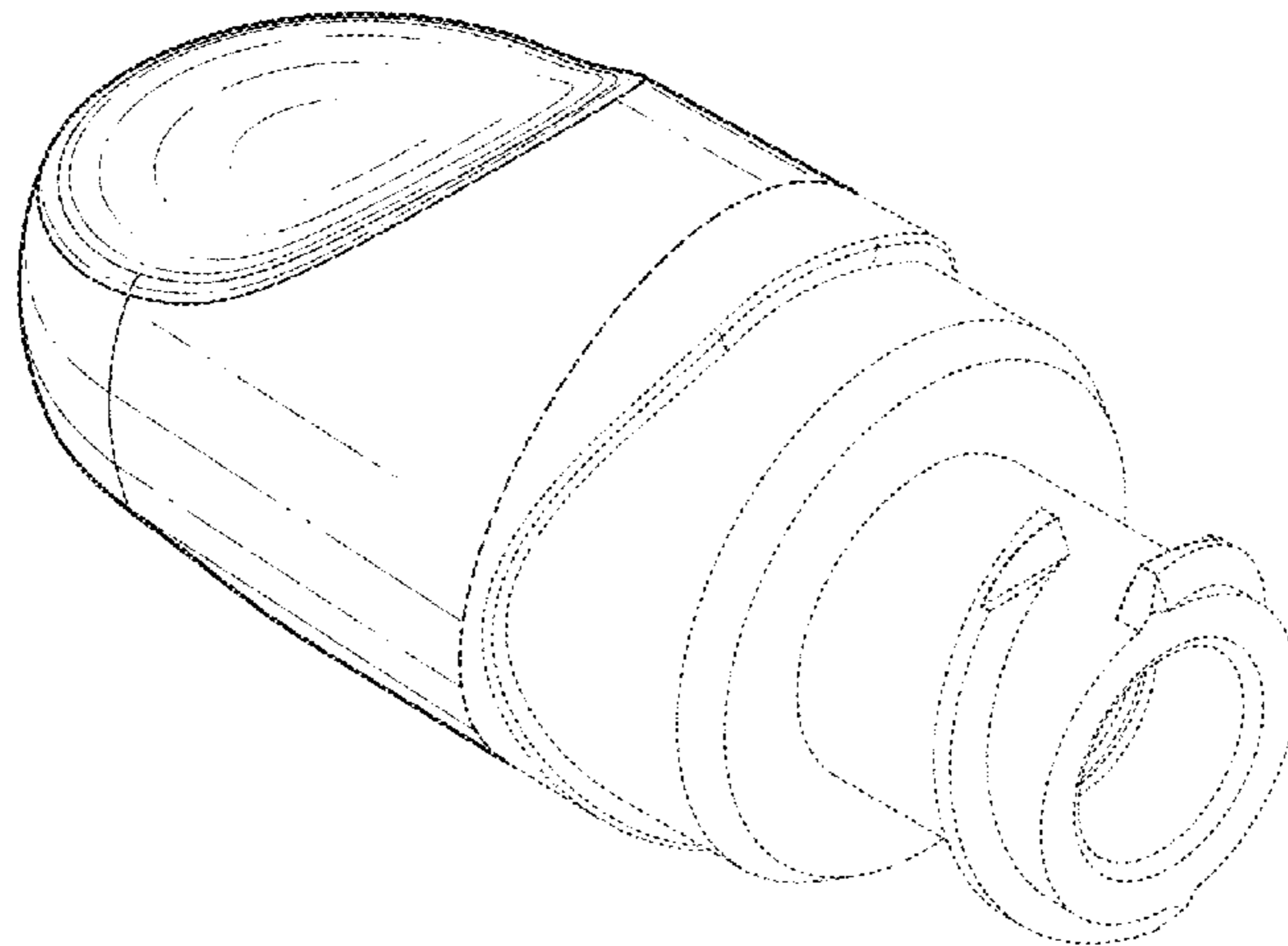
(57) **CLAIM**

The ornamental design for a cap for use with one or more medical connectors, as shown and described.

**DESCRIPTION**

FIG. 1 is a perspective view of a cap for use with one or more medical connectors showing our new design; FIG. 2 is a top plan view thereof, wherein a bottom plan view thereof is identical to that shown in FIG. 2; FIG. 3 is a right side elevation view thereof, wherein a left side elevation view thereof is a mirror image of that shown in FIG. 3; and, FIG. 4 is a rear elevation view thereof. The broken lines immediately adjacent the shaded areas represent the bounds of the claimed design, while all other broken lines are directed to environment only. None of the broken lines form any part of the claimed design.

**1 Claim, 2 Drawing Sheets**





(56)

References Cited

U.S. PATENT DOCUMENTS

3,446,596 A 5/1969 Salivar et al.  
 3,987,930 A 10/1976 Fuson  
 4,232,677 A 11/1980 Leibinsohn  
 4,324,239 A 4/1982 Gordon et al.  
 4,340,052 A 7/1982 Dennehey et al.  
 4,346,703 A 8/1982 Dennehey et al.  
 4,354,490 A 10/1982 Rogers  
 4,369,781 A 1/1983 Gilson et al.  
 4,402,691 A 9/1983 Rosenthal et al.  
 4,432,764 A 2/1984 Lopez  
 4,432,766 A 2/1984 Bellotti et al.  
 4,440,207 A 4/1984 Genatempo et al.  
 4,450,624 A 5/1984 Collier  
 4,778,447 A 10/1988 Velde et al.  
 4,838,875 A 6/1989 Somor  
 D303,631 S \* 9/1989 Demarest ..... D9/529  
 D310,542 S \* 9/1990 Regnault ..... D19/57  
 D333,788 S \* 3/1993 Geschwender ..... D9/435  
 5,205,821 A 4/1993 Kruger et al.  
 5,242,425 A 9/1993 White et al.  
 D340,112 S \* 10/1993 Zeman ..... D24/112  
 D341,227 S \* 11/1993 Lang et al. .... D9/504  
 5,466,219 A 11/1995 Lynn et al.  
 5,554,135 A 9/1996 Menyhay  
 5,694,978 A 12/1997 Heilmann et al.  
 5,792,120 A 8/1998 Menyhay  
 5,894,015 A 4/1999 Rechtin  
 5,951,519 A 9/1999 Utterberg  
 6,045,539 A 4/2000 Menyhay  
 6,171,287 B1 1/2001 Lynn et al.  
 D456,668 S \* 5/2002 Tse ..... D9/435  
 D468,015 S \* 12/2002 Horppu ..... D24/129  
 D470,888 S \* 2/2003 Kuboshima ..... D19/43  
 6,932,795 B2 8/2005 Lopez et al.  
 6,960,191 B2 11/2005 Howlett et al.  
 7,040,598 B2 5/2006 Raybuck  
 7,198,611 B2 4/2007 Connell et al.  
 D545,964 S \* 7/2007 Blanco ..... D24/129  
 D547,446 S 7/2007 Racz et al.  
 D550,355 S 9/2007 Racz et al.  
 7,316,669 B2 1/2008 Ranalletta  
 D573,643 S \* 7/2008 Brigham et al. .... D19/57  
 D607,325 S 1/2010 Rogers et al.  
 7,762,524 B2 7/2010 Cawthon et al.  
 7,780,794 B2 8/2010 Rogers et al.  
 D632,574 S \* 2/2011 Huntington et al. .... D9/504  
 D639,421 S \* 6/2011 Sano et al. .... D24/118  
 7,985,302 B2 7/2011 Rogers et al.  
 2002/0093192 A1 7/2002 Matkovich  
 2003/0140441 A1 7/2003 Stafford  
 2003/0153865 A1 8/2003 Connell et al.  
 2003/0198502 A1 10/2003 Maloney et al.  
 2004/0201216 A1 10/2004 Segal et al.  
 2004/0214316 A1 10/2004 O'Connell  
 2005/0033267 A1 2/2005 Decaria  
 2005/0124970 A1 6/2005 Kunin et al.  
 2005/0203460 A1 9/2005 Kim  
 2005/0245883 A1 11/2005 Baldwin  
 2005/0266714 A1 12/2005 Higgins et al.  
 2006/0030827 A1 2/2006 Raulerson et al.  
 2007/0112333 A1 5/2007 Hoang et al.  
 2007/0202177 A1 8/2007 Hoang  
 2007/0287989 A1 12/2007 Crawford et al.  
 2007/0293818 A1 12/2007 Stout et al.  
 2007/0293822 A1 12/2007 Crawford et al.  
 2008/0021381 A1 1/2008 Lurvey et al.  
 2008/0027399 A1 1/2008 Harding et al.  
 2008/0038167 A1 2/2008 Lynn  
 2008/0039803 A1 2/2008 Lynn  
 2008/0086091 A1 4/2008 Anderson et al.  
 2008/0095680 A1 4/2008 Steffens et al.  
 2008/0105704 A1 5/2008 Pritchard  
 2008/0107564 A1 5/2008 Sternberg et al.  
 2008/0132880 A1 6/2008 Buchman  
 2008/0147047 A1 6/2008 Davis et al.

2008/0177250 A1 7/2008 Howlett et al.  
 2008/0235888 A1 10/2008 Vaillancourt et al.  
 2009/0008393 A1 1/2009 Howlett et al.  
 2009/0062766 A1 3/2009 Howlett et al.  
 2009/0205151 A1 8/2009 Fisher et al.  
 2010/0047123 A1 2/2010 Solomon et al.  
 2010/0049170 A1 2/2010 Solomon et al.  
 2010/0242993 A1 9/2010 Hoang et al.  
 2010/0306938 A1 12/2010 Rogers et al.  
 2010/0313366 A1 12/2010 Rogers et al.  
 2011/0044850 A1 2/2011 Solomon et al.  
 2011/0213341 A1 9/2011 Solomon et al.  
 2011/0217212 A1 9/2011 Solomon et al.

FOREIGN PATENT DOCUMENTS

WO WO-2008/100950 8/2008  
 WO WO-2010/002808 1/2010  
 WO WO-2010/141508 12/2010  
 WO WO-2011/053924 5/2011  
 WO WO-2011/066565 6/2011  
 WO WO-2011/066586 6/2011

OTHER PUBLICATIONS

Response to Requirement for Election of Species filed Apr. 1, 2011 in co-pending U.S. Appl. No. 12/171,997, now published as U.S. Publication No. US-2009/0062766.  
 Office Action mailed Jun. 9, 2011 in co-pending U.S. Appl. No. 12/171,997, now published as U.S. Publication No. US-2009/0062766.  
 Preliminary Amendment filed May 13, 2011 in co-pending U.S. Appl. No. 12/956,704.  
 Preliminary Amendment filed May 13, 2011 in co-pending U.S. Appl. No. 12/957,263.  
 Maki, Dennis G., "In Vitro Studies of a Novel Antimicrobial Luer-Activated Needleless Connector for Prevention of Catheter-Related Bloodstream Infection," *Clinical Infection Diseases*, Jun. 15 2010, vol. 50, Issue 12, pp. 1580-1587.  
 Curo Port Protector web page from <http://www.iveramed.com/>, dated Jul. 11, 2008.  
 Curo Port Protector product brochure, circa Nov. 2008, <http://www.iveramed.com/docs/Curo%20Brochure-FINAL.pdf>.  
 Hospira Male/Female Sterile Cap product packaging insert and brochure, circa Aug. 2004.  
 BD Q-Syte Luer Access Split Septum product brochure, circa Nov. 2008, <http://www.bd.com/infusion/pdfs/D16333.pdf>.  
 Tego Connector product brochure, circa Nov. 2008, <http://www.icumed.com/Docs-Tego/M1-1148%20TEGO%20Folder%20Brochure%20Rev.3.pdf>.  
 Baxa Corporation Launches PadLock Set Saver for IV Safety press release, Oct. 10, 2007 <http://www.pr.com/press-release/555432>.  
 Baxa Corporation PadLock Set Saver Specifications and Instructions for Use, Copyright 2007, <http://www.baxa.com/resources/docs/5300103905C.pdf>.  
 Baxa Corporation Padlock product brochure, Copyright 2007, <http://www.baxa.com/resources/docs/5300104405A.pdf>.  
 Baxa Corporation Padlock Microbial Testing Technical Paper, Copyright 2007, <http://www.baxa.com/resources/docs/technicalPaper/PadlockMicrobialChallengeTechPaper.pdf>.  
 Baxa Corporation Padlock catalog page, Copyright 2009, <http://www.baxa.com/SearchResults/ProductDetail?id=6452BFB9-3048-7B87-701697FB93902BA6>.  
 One Less Problem, Managing Infection Control, Jun. 2008, <http://www.baxa.com/resources/docs/OneLessProbPaper.pdf>.  
 Unomedical Medical Products catalog, circa Jan. 2006, <http://www.unomedical.net/au/section05/section10/LocalSSI/..%5C..%5Cpdf%05Cmedical.pdf>.  
 Braum product catalog, circa Aug. 2008.  
 Buchman, et al., "A New Central Venous Catheter Cap: Decreased Microbial Growth and Risk for Catheter-Related Bloodstream Infection," *The Journal of Vascular Access* 2009, 10: pp. 11-21.  
 Restriction Requirement mailed Nov. 13, 2008 in U.S. Appl. No. 12/014,388, now abandoned.



(56)

**References Cited**

## OTHER PUBLICATIONS

Amendment and Response to Restriction Requirement filed Mar. 24, 3009 in U.S. Appl. No. 12/014,388, now abandoned.

Interview Summary mailed Sep. 1, 2009 in U.S. Appl. No. 12/014,388, now abandoned.

Office Action mailed May 5, 2009 in U.S. Appl. No. 12/014,388, now abandoned.

Amendment and Response to Office Action filed Sep. 4, 2009 in U.S. Appl. No. 12/014,388, now abandoned.

Notice of Non-Compliance Amendment mailed Sep. 28, 2009 in U.S. Appl. No. 12/014,388, now abandoned.

Amendment and Response to Office Action filed Oct. 2, 2009 in U.S. Appl. No. 12/014,388, now abandoned.

Final Office Action mailed Jan. 27, 2010 in U.S. Appl. No. 12/014,388, now abandoned.

RCE and Amendment and Response to Office Action filed Apr. 26, 2010 in U.S. Appl. No. 12/014,388, now abandoned.

Office Action mailed Jun. 21, 2010 in U.S. Appl. No. 12/014,388, now abandoned.

Amendment and Response to Office Action filed Oct. 19, 2010 in U.S. Appl. No. 12/014,388, now abandoned.

Interview Summary mailed Oct. 25, 2010 in U.S. Appl. No. 12/014,388, now abandoned.

Final Office Action mailed Dec. 23, 2010 in U.S. Appl. No. 12/014,388, now abandoned.

Express Abandonment filed Feb. 15, 2011 in U.S. Appl. No. 12/014,388, now abandoned.

Restriction Requirement mailed May 21, 2010 in co-pending U.S. Appl. No. 12/164,310, now published as US 2009/0008393.

Amendment and Response to Restriction Requirement filed Jun. 21, 2010 in co-pending U.S. Appl. No. 12/164,310, now published as US 2009/0008393.

Office Action mailed Aug. 16, 2010 in co-pending U.S. Appl. No. 12/164,310, now published as US 2009/0008393.

Amendment and Response to Office Action filed Oct. 29, 2010 in co-pending U.S. Appl. No. 12/164,310, now published as US 2009/0008393.

Interview Summary mailed Oct. 25, 2010 in co-pending U.S. Appl. No. 12/164,310, now published as US 2009/0008393.

Notice of Non-Compliant Amendment mailed Nov. 3, 2010 in co-pending U.S. Appl. No. 12/164,310, now published as US 2009/0008393.

Amendment and Response to Office Action filed Feb. 16, 2011 in co-pending U.S. Appl. No. 12/164,310, now published as US 2009/0008393.

Preliminary Amendment filed Dec. 7, 2010 in co-pending U.S. Appl. No. 12/171,997, now published as US 2009/0062766.

Restriction Requirement mailed Dec. 9, 2010 in co-pending U.S. Appl. No. 12/171,997, now published as US 2009/0062766.

Notification of Transmittal of the International Search Report and the Written Opinion of the International Searching Authority issued Aug. 1, 2008 in International Application No. PCT/US2008/051087.

Notification of Transmittal of the International Search Report and the Written Opinion of the International Searching Authority issued Aug. 31, 2009 in International Application No. PCT/US2009/049094.

Notification of Transmittal of the International Search Report and the Written Opinion of the International Searching Authority issued Jan. 6, 2011 in International Application No. PCT/US2010/054995.

Notification of Transmittal of the International Search Report and the Written Opinion of the International Searching Authority issued Jan. 26, 2011 in International Application No. PCT/US2010/058404.

Notification of Transmittal of the International Search Report and the Written Opinion of the International Searching Authority issued Feb. 7, 2011 in International Application No. PCT/US2010/058453.

Co-pending U.S. Appl. No. 12/917,336 titled Disinfecting Caps and Systems and Associated Methods, filed Nov. 1, 2010.

Co-pending U.S. Appl. No. 12/956,704 titled Disinfecting Caps Having an Extendable Feature and Related Systems and Methods, filed Nov. 30, 2010.

Co-pending U.S. Appl. No. 12/957,263 titled Disinfecting Caps Having Sealing Features and Related Systems and Methods, filed Nov. 30, 2010.

\* cited by examiner

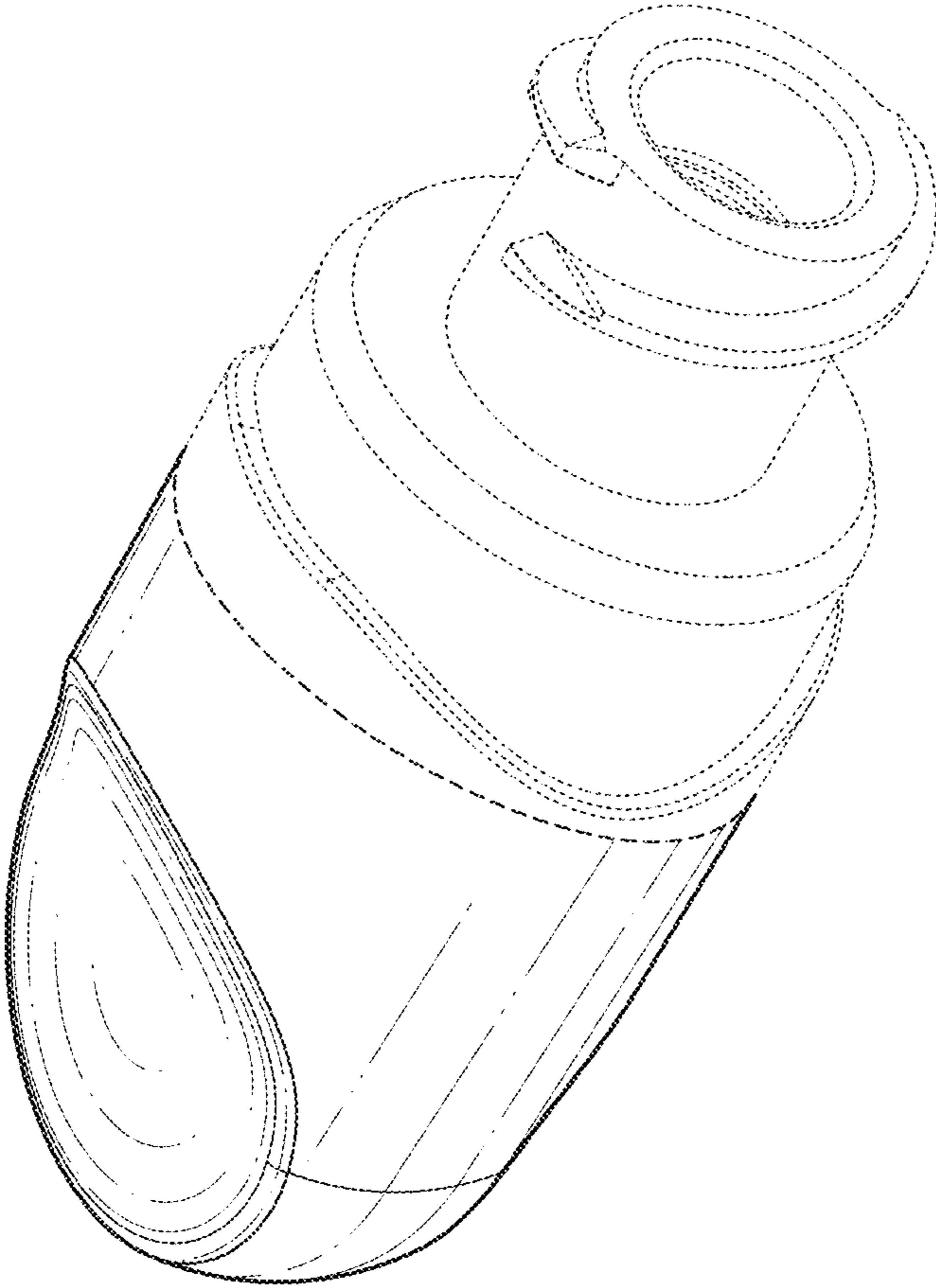


FIG. 1

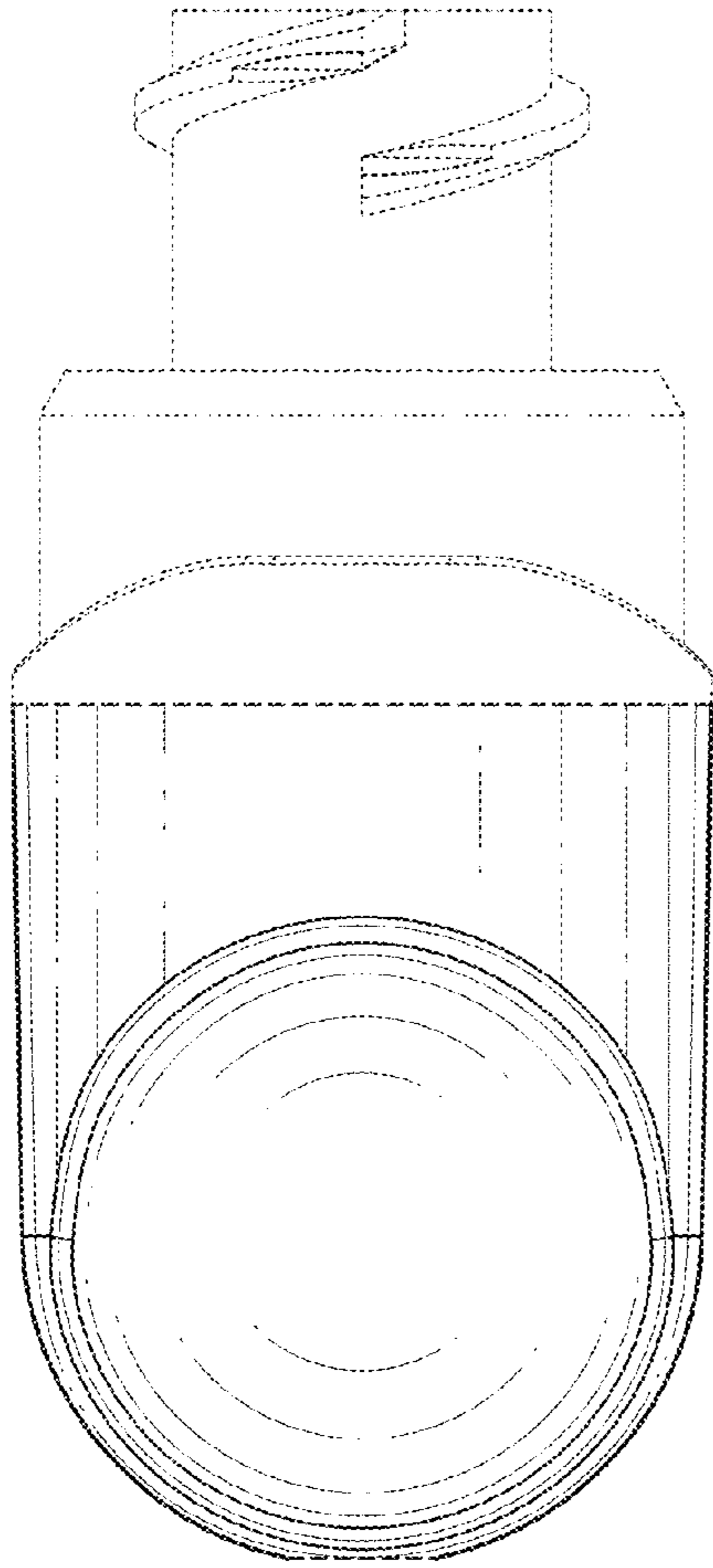


FIG. 2

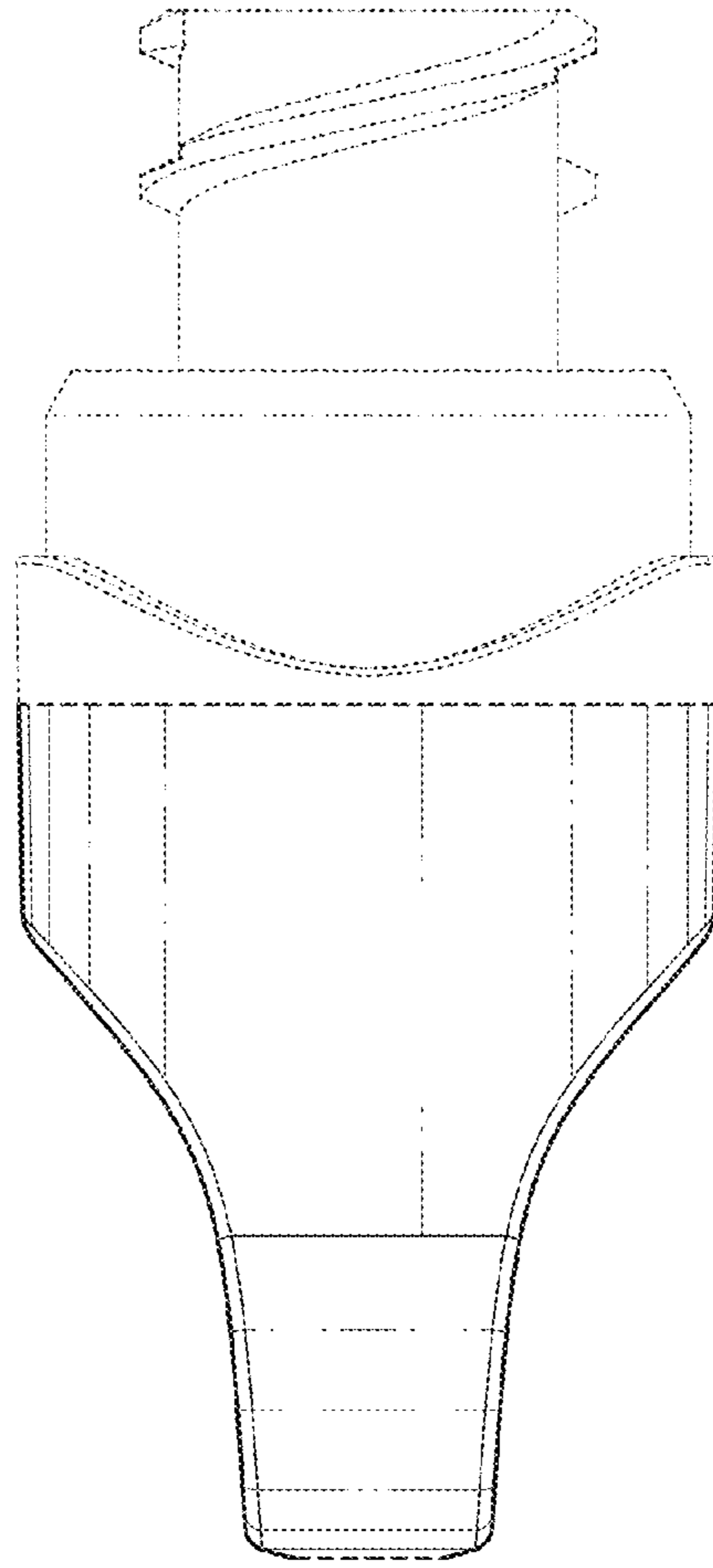


FIG. 3

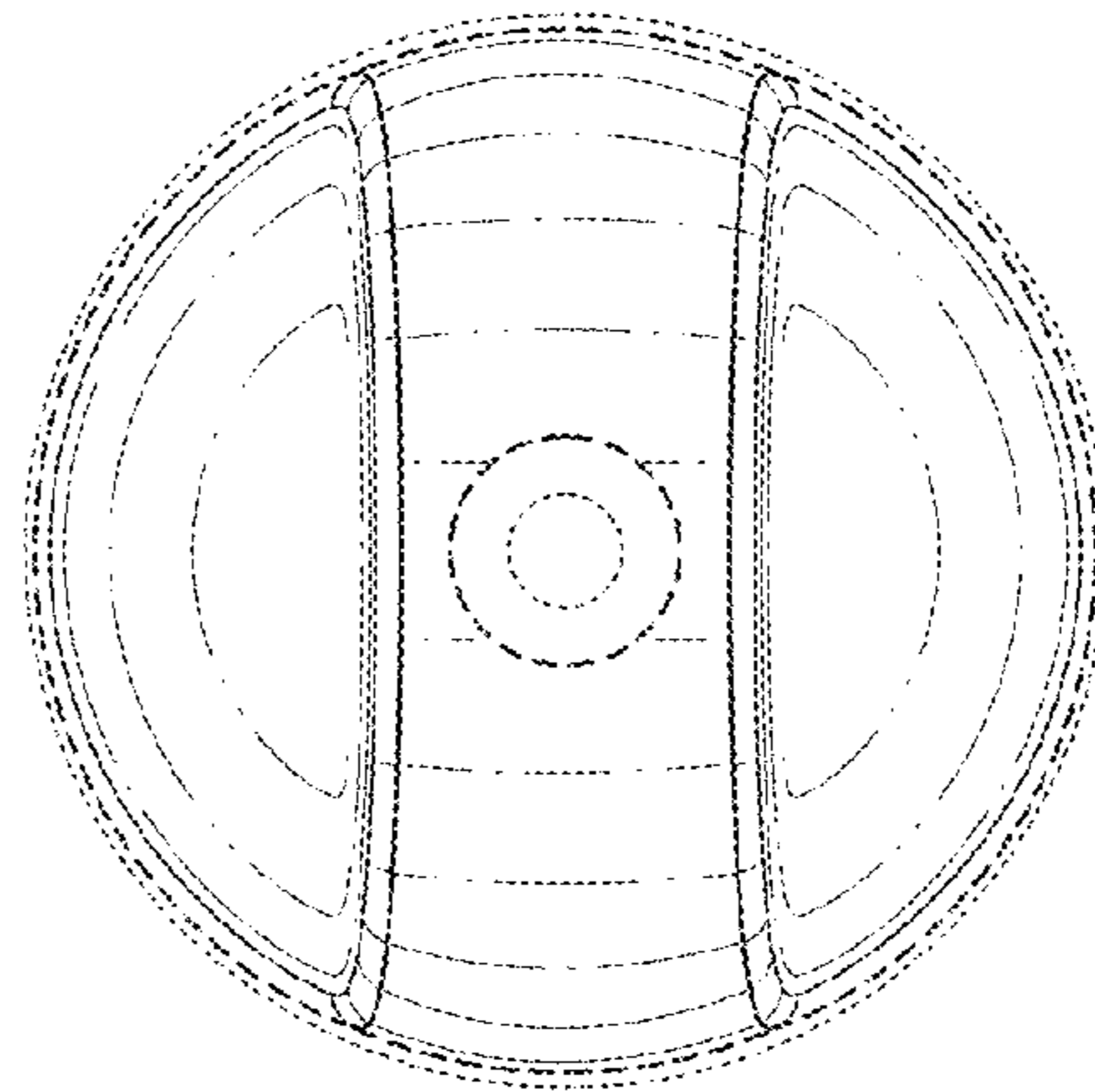


FIG. 4