



US00D695393S

(12) **United States Design Patent**
Tani et al.

(10) **Patent No.:** **US D695,393 S**

(45) **Date of Patent:** **** Dec. 10, 2013**

(54) **SYRINGE**

(71) Applicant: **Panasonic Corporation**, Osaka (JP)

(72) Inventors: **Ryosuke Tani**, Ehime (JP); **Masaki Takemoto**, Ehime (JP); **Tamotsu Senda**, Ehime (JP)

(73) Assignee: **Panasonic Corporation**, Osaka (JP)

(**) Term: **14 Years**

(21) Appl. No.: **29/439,595**

(22) Filed: **Dec. 13, 2012**

(30) **Foreign Application Priority Data**

Jul. 2, 2012 (JP) 2012-015582

(51) **LOC (9) Cl.** **24-02**

(52) **U.S. Cl.**
USPC **D24/113**

(58) **Field of Classification Search**

USPC D24/112-114, 133, 186, 104, 130, 127,
D24/158, 209; 606/181, 185; 604/264, 272,
604/115, 232, 187, 158, 164.08, 192, 263,
604/163, 181, 184, 198, 227, 207; 600/309,
600/318, 322, 368, 583, 345; D10/46, 75,
D10/78

See application file for complete search history.

(56) **References Cited**

U.S. PATENT DOCUMENTS

D400,808 S * 11/1998 Schwan D10/78
D448,314 S * 9/2001 Chen D10/57
D479,325 S 9/2003 Tyce

D551,350 S * 9/2007 Lorimer et al. D24/186
D570,834 S * 6/2008 Cobb D14/248
D609,197 S * 2/2010 Koskela et al. D24/186
D614,978 S * 5/2010 Houlihan et al. D10/57
D621,731 S * 8/2010 Goody et al. D10/78
D626,651 S * 11/2010 Brauer et al. D24/169
D637,921 S * 5/2011 Houlihan et al. D10/57
D650,070 S * 12/2011 Mori D24/113
D663,421 S * 7/2012 Steiner et al. D24/169
D681,839 S * 5/2013 Nathanson D24/200
D684,876 S * 6/2013 Laurino et al. D10/78

* cited by examiner

Primary Examiner — David Muller

(74) *Attorney, Agent, or Firm* — Panasonic Patent Center

(57) **CLAIM**

We claim the ornamental design for a syringe, as shown and described.

DESCRIPTION

FIG. 1 is a top perspective view of a syringe of the present invention;

FIG. 2 is a bottom perspective view thereof;

FIG. 3 is a front view thereof;

FIG. 4 is a rear view thereof;

FIG. 5 is a first side view thereof;

FIG. 6 is a second side view thereof;

FIG. 7 is a top view thereof; and,

FIG. 8 is a bottom view thereof.

The dash dot lines immediately adjacent to the claimed areas in the views represent the boundaries of the claimed design.

The dashed lines in the figures illustrate the portions of the design that form no part of the claimed design. None of the broken lines form any part of the claimed design.

1 Claim, 8 Drawing Sheets

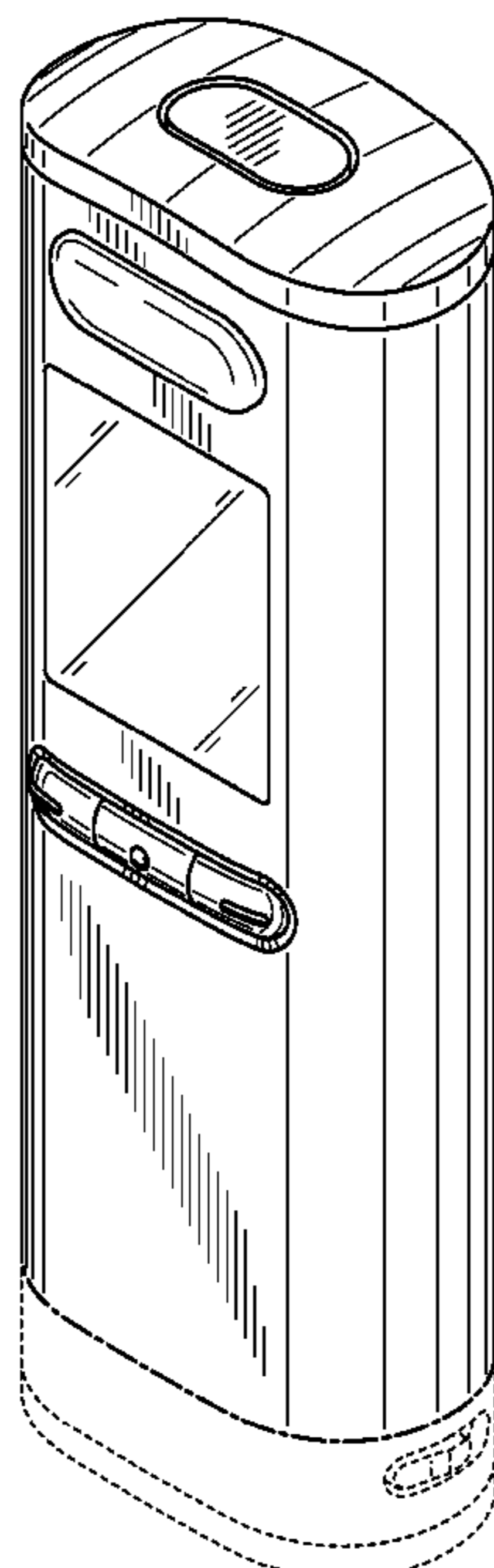


FIG. 1

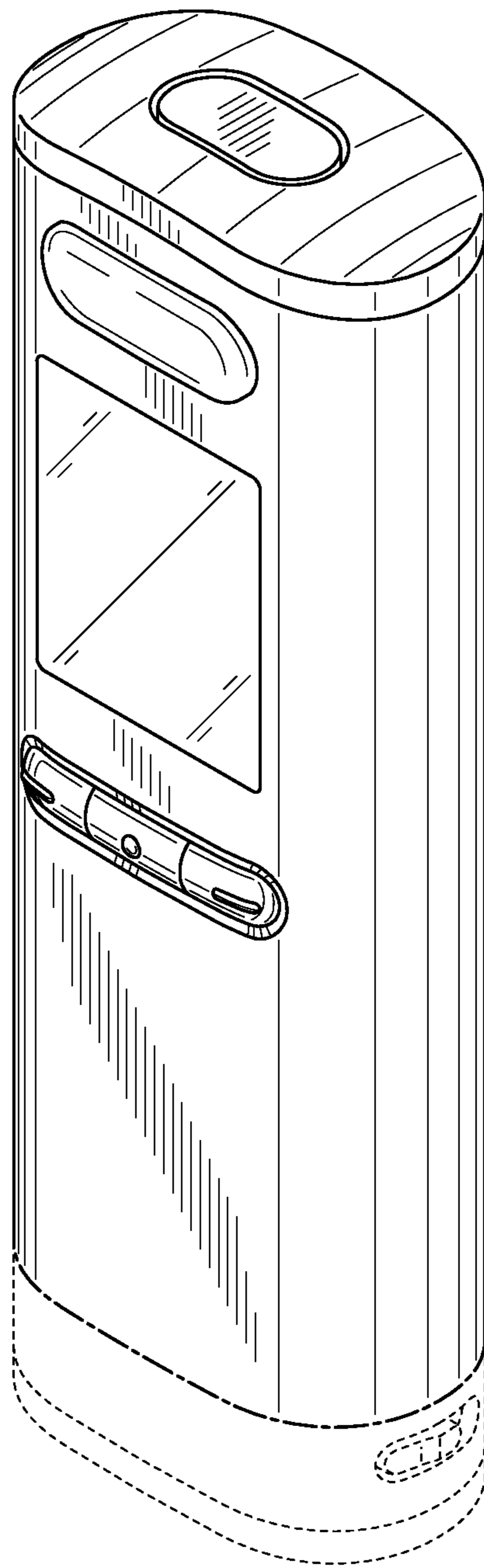


FIG. 2

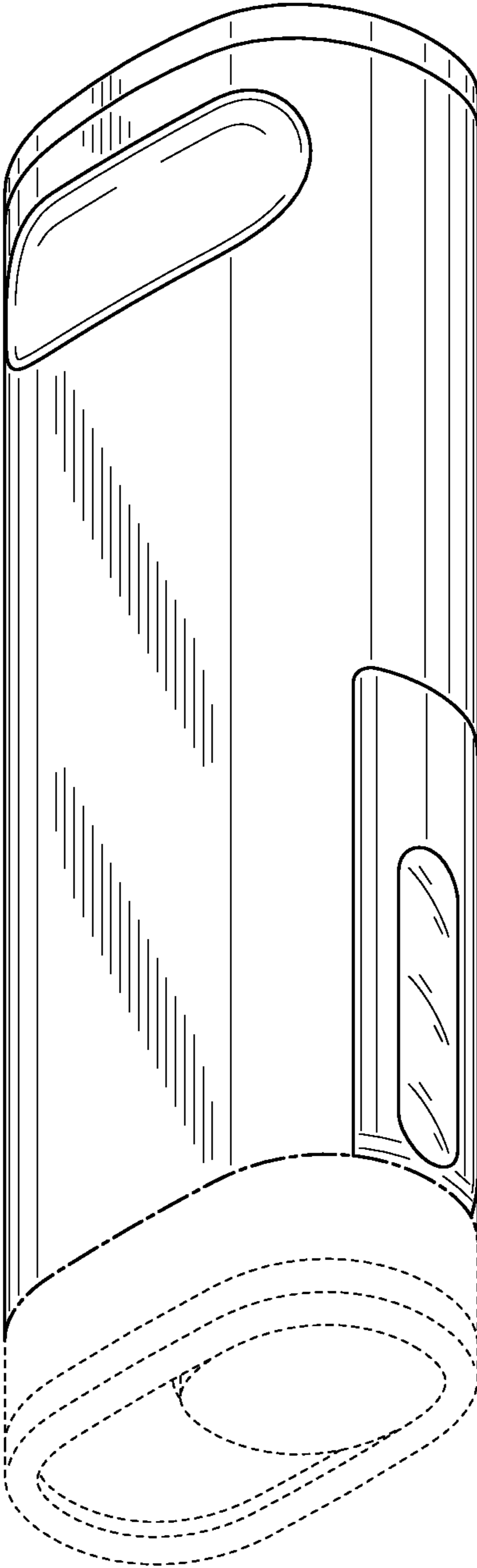


FIG. 3

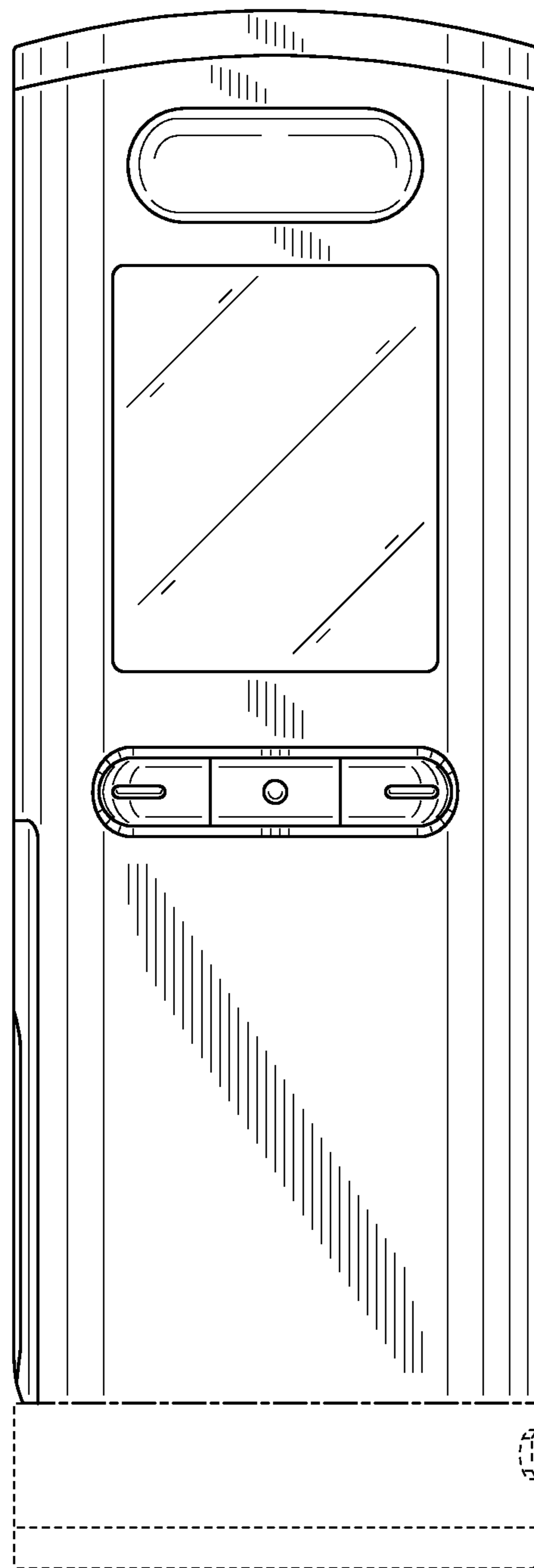


FIG. 4

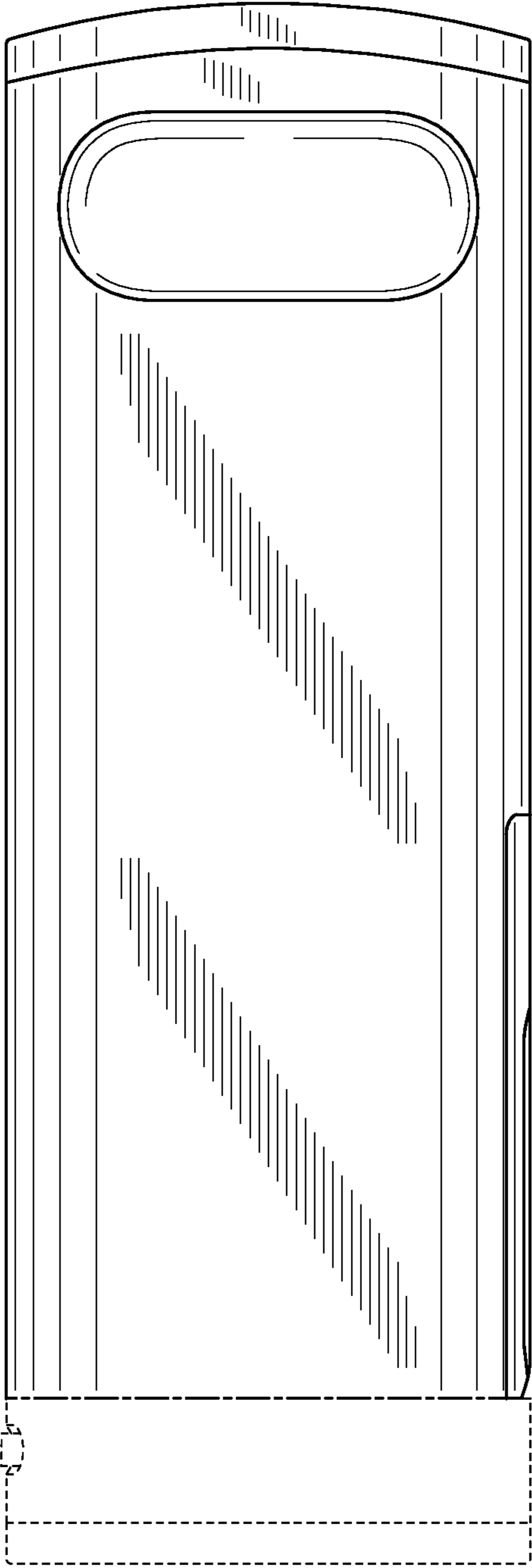


FIG. 5

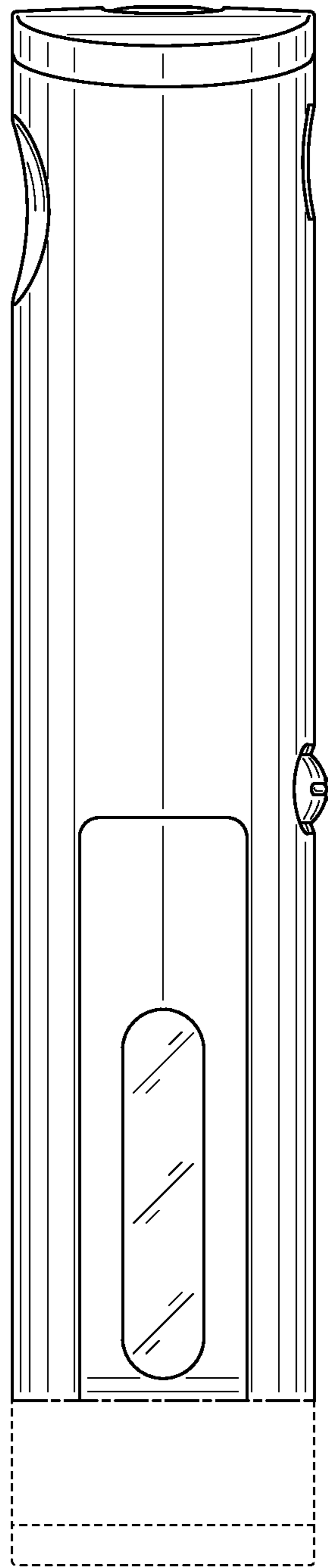


FIG. 6

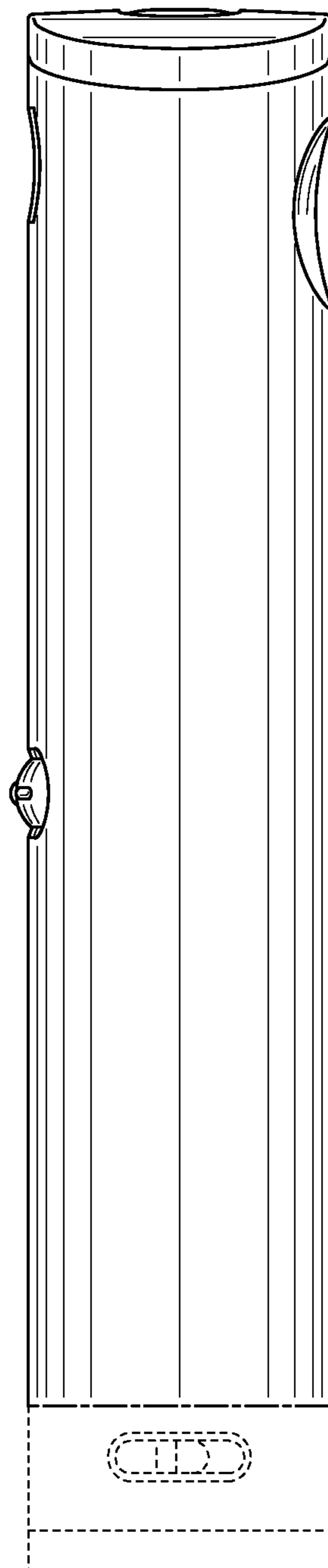


FIG. 7

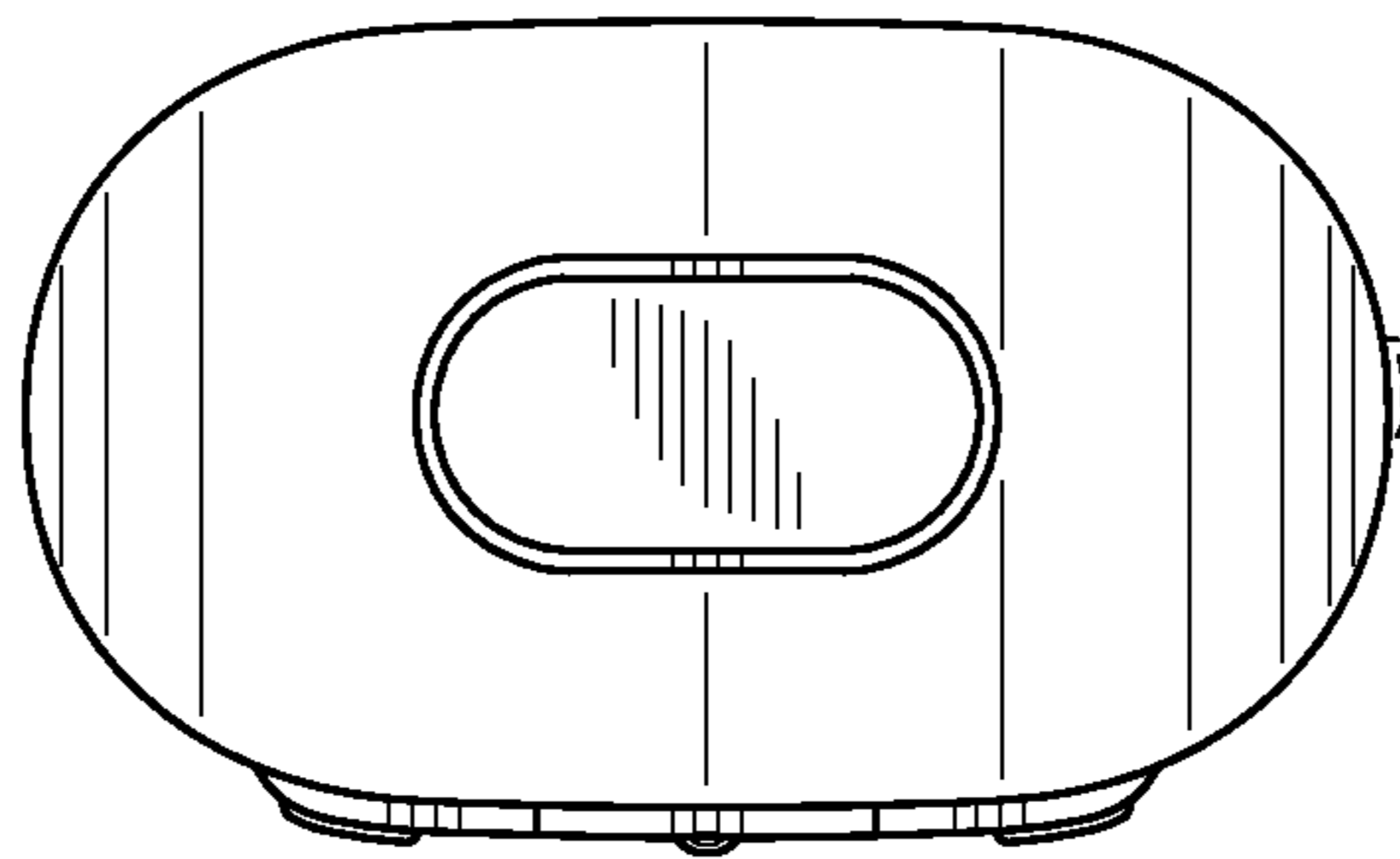


FIG. 8

