

US00D695387S

(12) **United States Design Patent**
Murphey et al.

(10) **Patent No.:** **US D695,387 S**

(45) **Date of Patent:** **** Dec. 10, 2013**

(54) **VENT**

(76) Inventors: **Brad Murphey**, Osceola, IN (US);
Adam Schramski, Mishawaka, IN (US);
Mike Dittrich, Granger, IN (US)

(**) **Term:** **14 Years**

(21) **Appl. No.:** **29/366,120**

(22) **Filed:** **Jul. 20, 2010**

(51) **LOC (9) Cl.** **23-04**

(52) **U.S. Cl.**
USPC **D23/393**

(58) **Field of Classification Search**
USPC D23/385–395, 397, 370–373, 364, 365,
D23/351, 354, 399–403, 421, 499; 454/309,
454/275–277, 284, 287–291, 358–363,
454/365; 52/2.1, 32.07
See application file for complete search history.

(56) **References Cited**

U.S. PATENT DOCUMENTS

787,997	A	4/1905	Taylor et al.	
1,402,647	A	1/1922	Petry	
1,492,710	A	5/1924	Justi, Jr.	
2,460,604	A	2/1949	Simcox	
D247,510	S	3/1978	Kujawa, Jr.	
D277,028	S *	1/1985	Waltz et al.	D23/373
4,522,115	A	6/1985	Kelly et al.	
D285,546	S	9/1986	Hayslette	
4,759,270	A	7/1988	Lindeen	
4,856,493	A	8/1989	Fleming et al.	
4,867,047	A	9/1989	Citron	
D312,685	S	12/1990	Fleming et al.	
D315,204	S	3/1991	Fleming et al.	
D327,537	S *	6/1992	Yuen	D23/364
5,727,998	A	3/1998	Krueger et al.	

D452,556	S *	12/2001	Kurokawa et al.	D23/354
D495,047	S *	8/2004	Gilbert	D23/387
7,044,852	B2 *	5/2006	Horton	454/365
7,097,557	B2	8/2006	Kutschman	
D558,322	S *	12/2007	Lebeuf et al.	D23/372
D569,962	S *	5/2008	Nishio et al.	D23/393
D581,504	S *	11/2008	Nakamura et al.	D23/351
D593,664	S *	6/2009	Chouji et al.	D23/351
D594,956	S *	6/2009	Blanchette et al.	D23/372
D598,534	S *	8/2009	Marchesini	D23/386
D605,268	S *	12/2009	Wagner et al.	D23/351
D614,756	S *	4/2010	Grey	D23/372
2006/0199525	A1	9/2006	Marcoux et al.	

* cited by examiner

Primary Examiner — David Muller

(74) *Attorney, Agent, or Firm* — Barnes & Thornburg LLP

(57) **CLAIM**

We claim the ornamental design for a vent, as shown and described.

DESCRIPTION

FIG. 1 is a bottom perspective view of a vent of the present invention;

FIG. 2 is a rear perspective view thereof;

FIG. 3 is a front perspective view thereof;

FIG. 4 is a front view thereof;

FIG. 5 is a bottom view thereof;

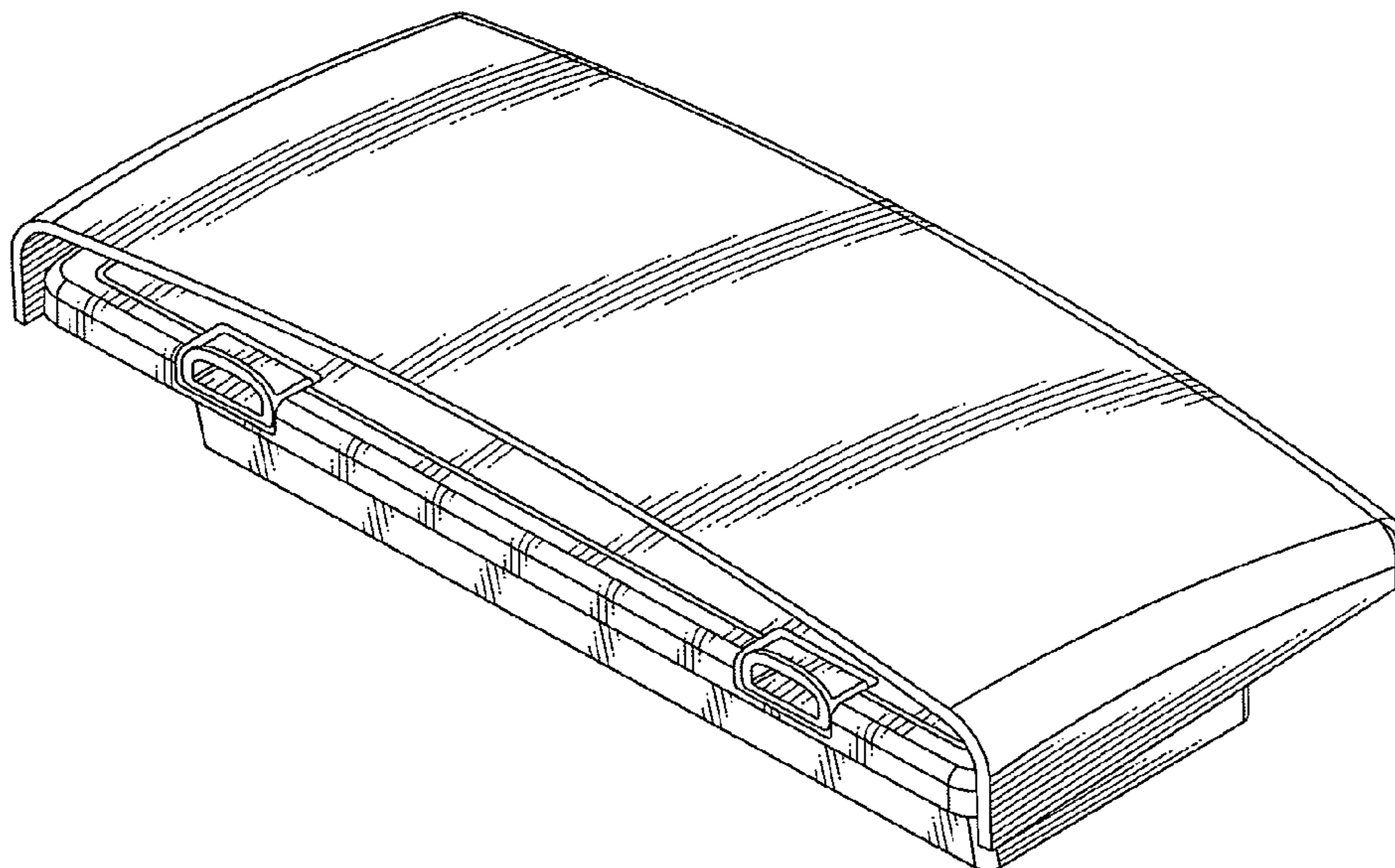
FIG. 6 is a top view thereof;

FIG. 7 is a right side view thereof; the left side being a mirror image; and,

FIG. 8 is a rear view thereof.

The broken line showing of parts of the drawings is included for the purpose of illustrating use and environment and forms no part of the claimed design.

1 Claim, 4 Drawing Sheets



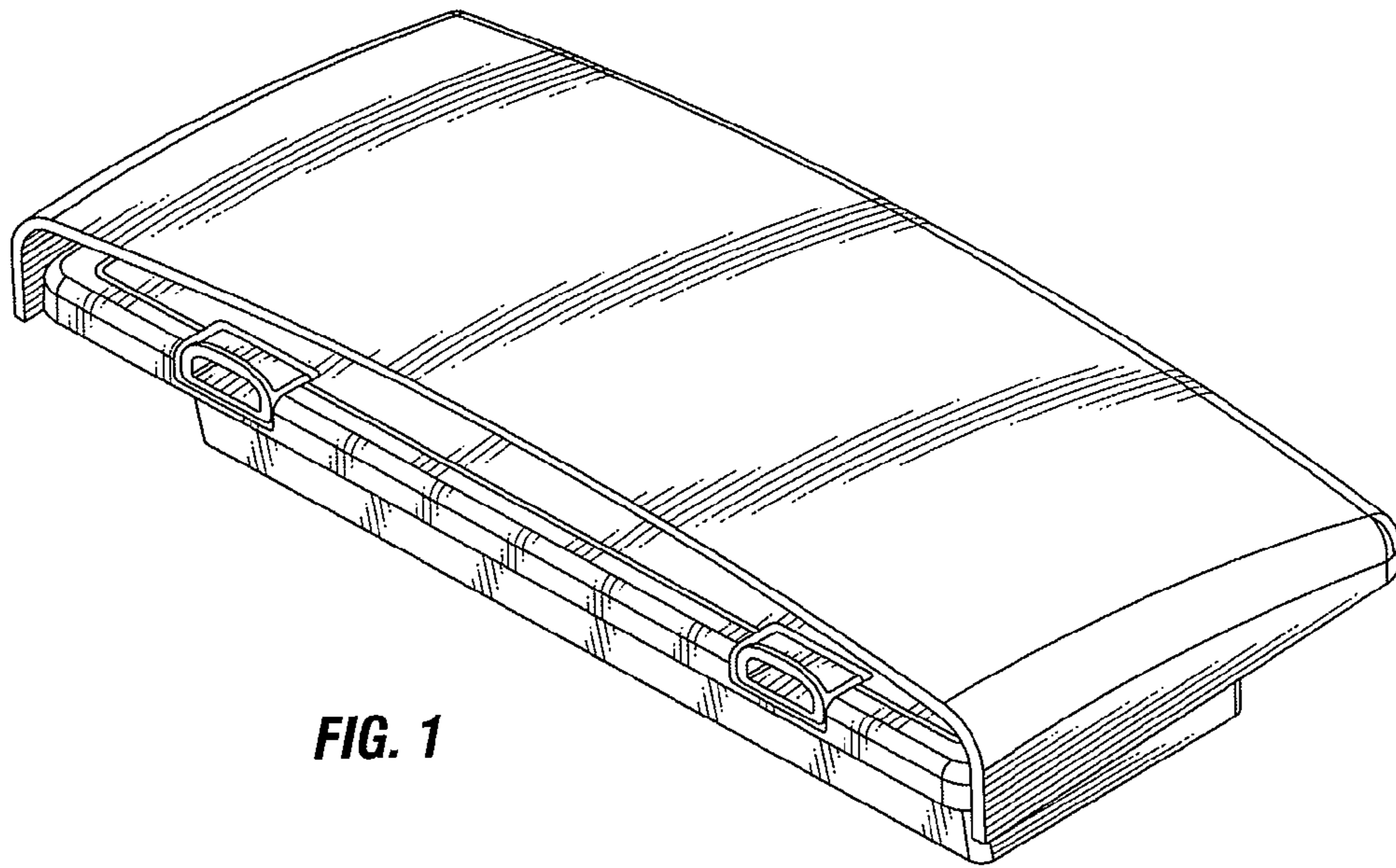


FIG. 1

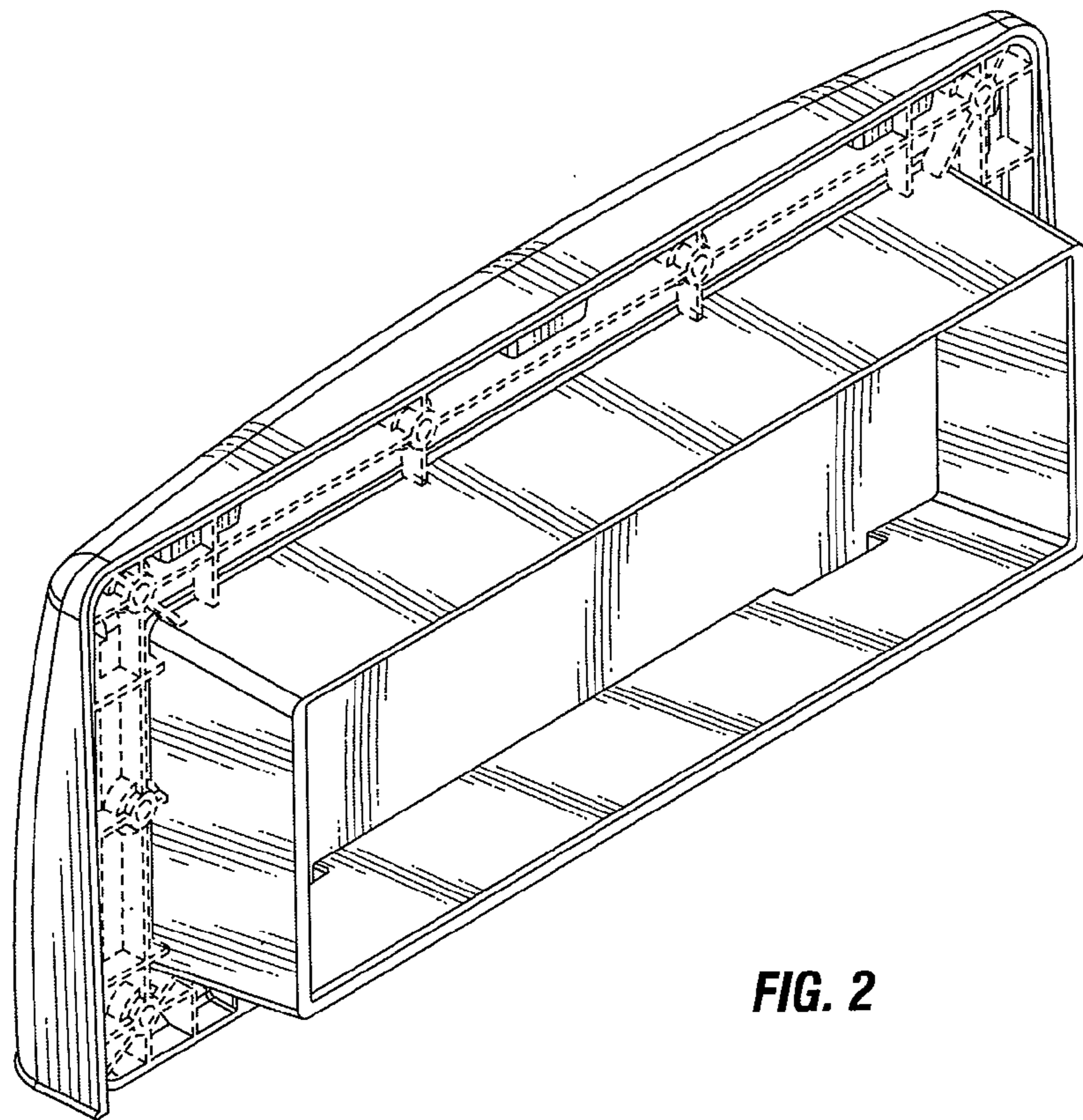


FIG. 2

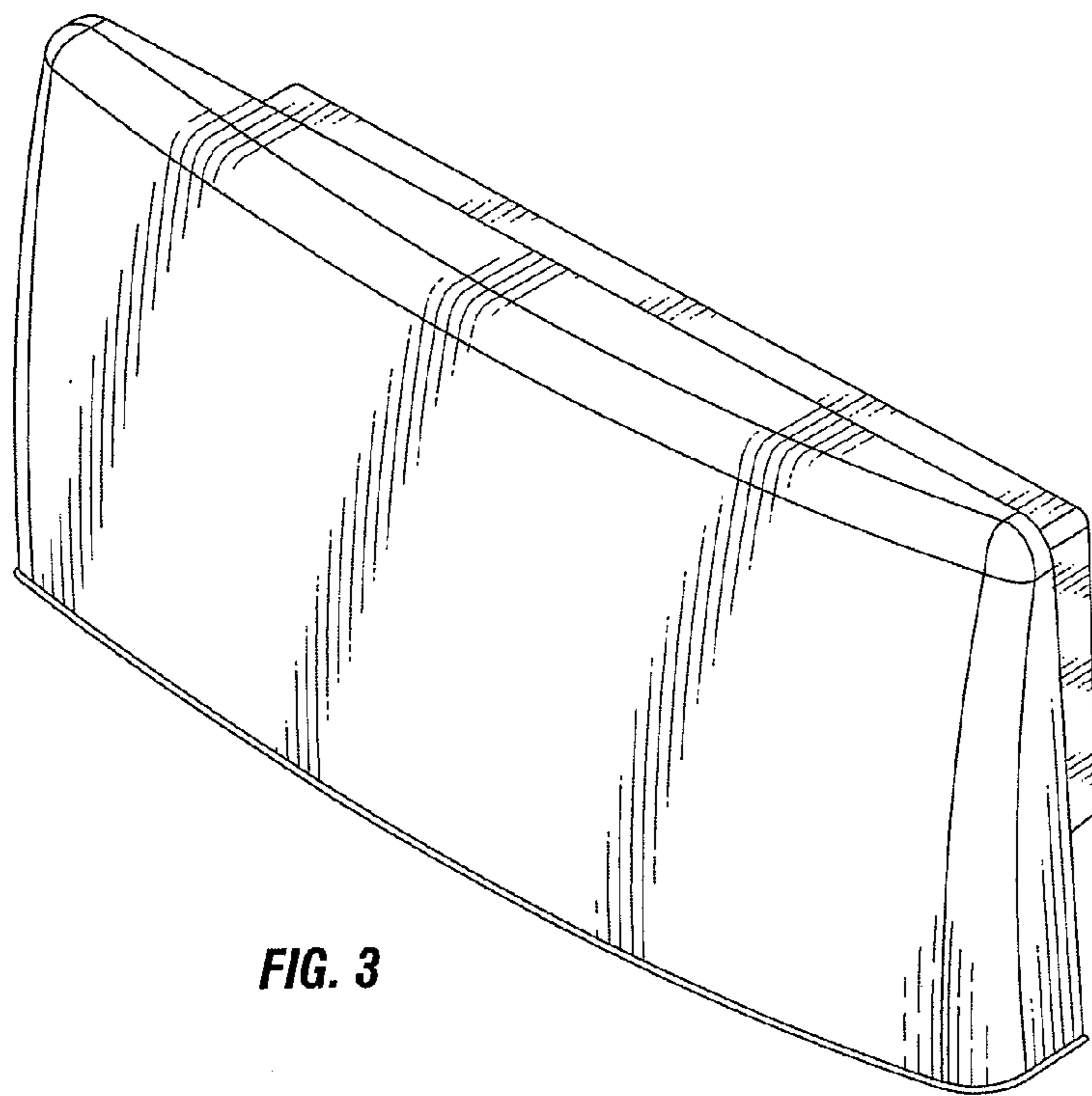


FIG. 3

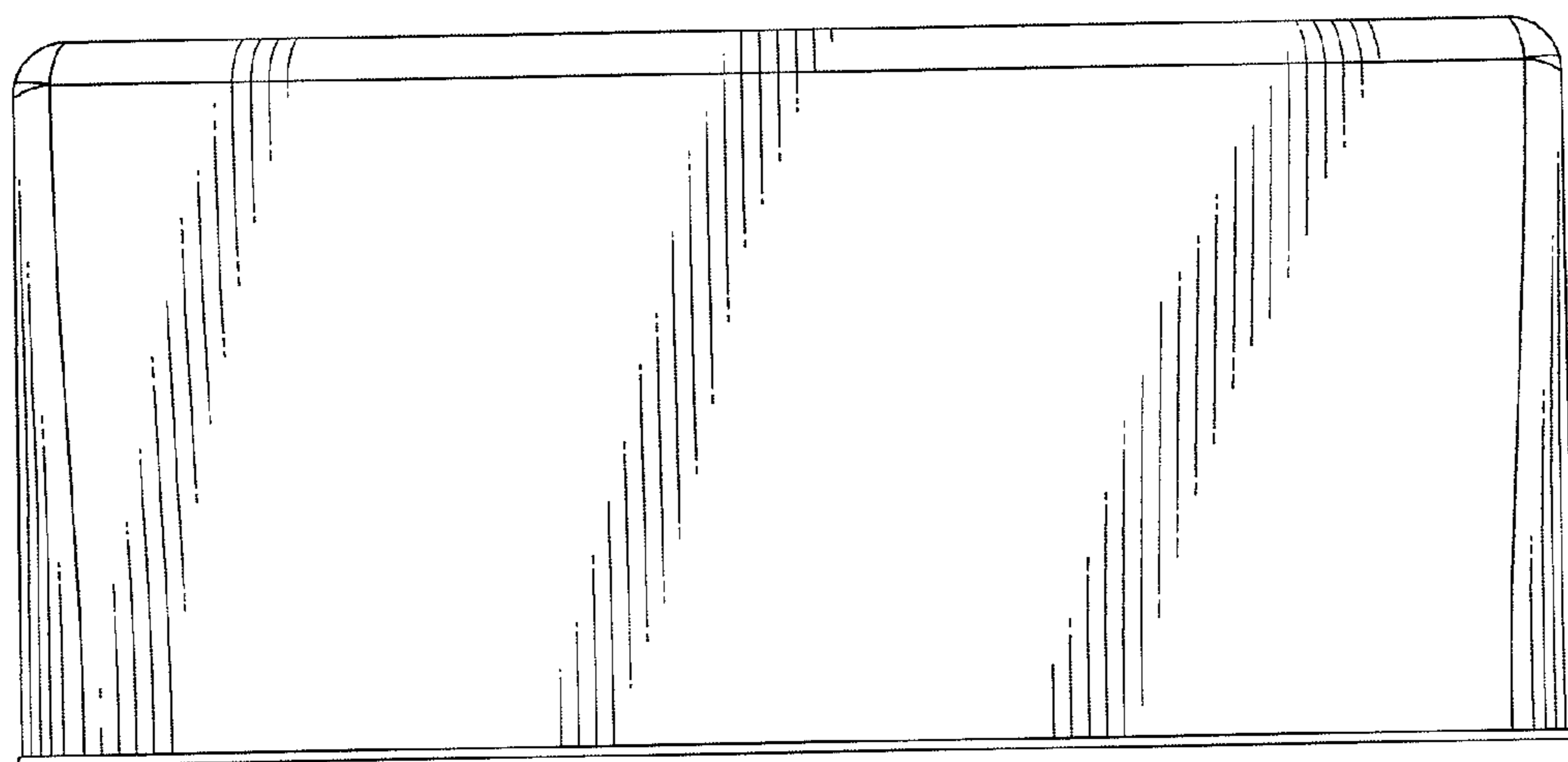


FIG. 4

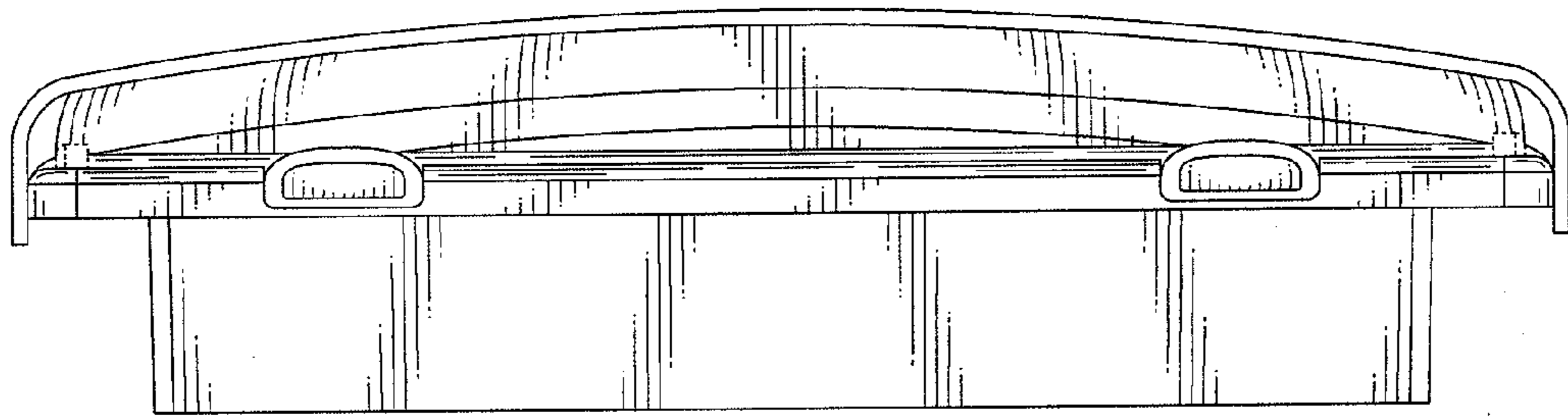


FIG. 5

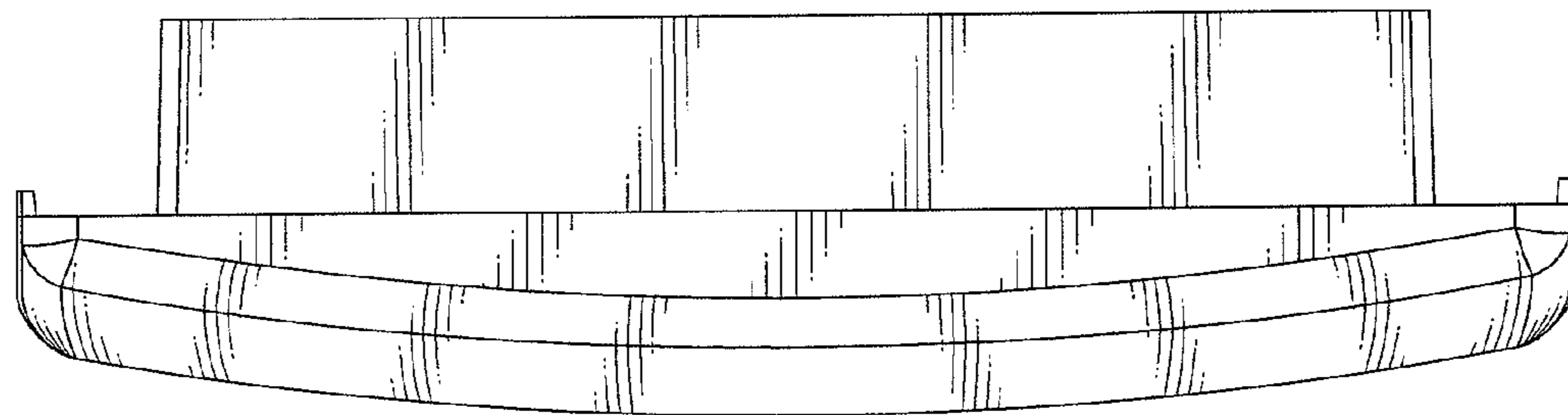


FIG. 6

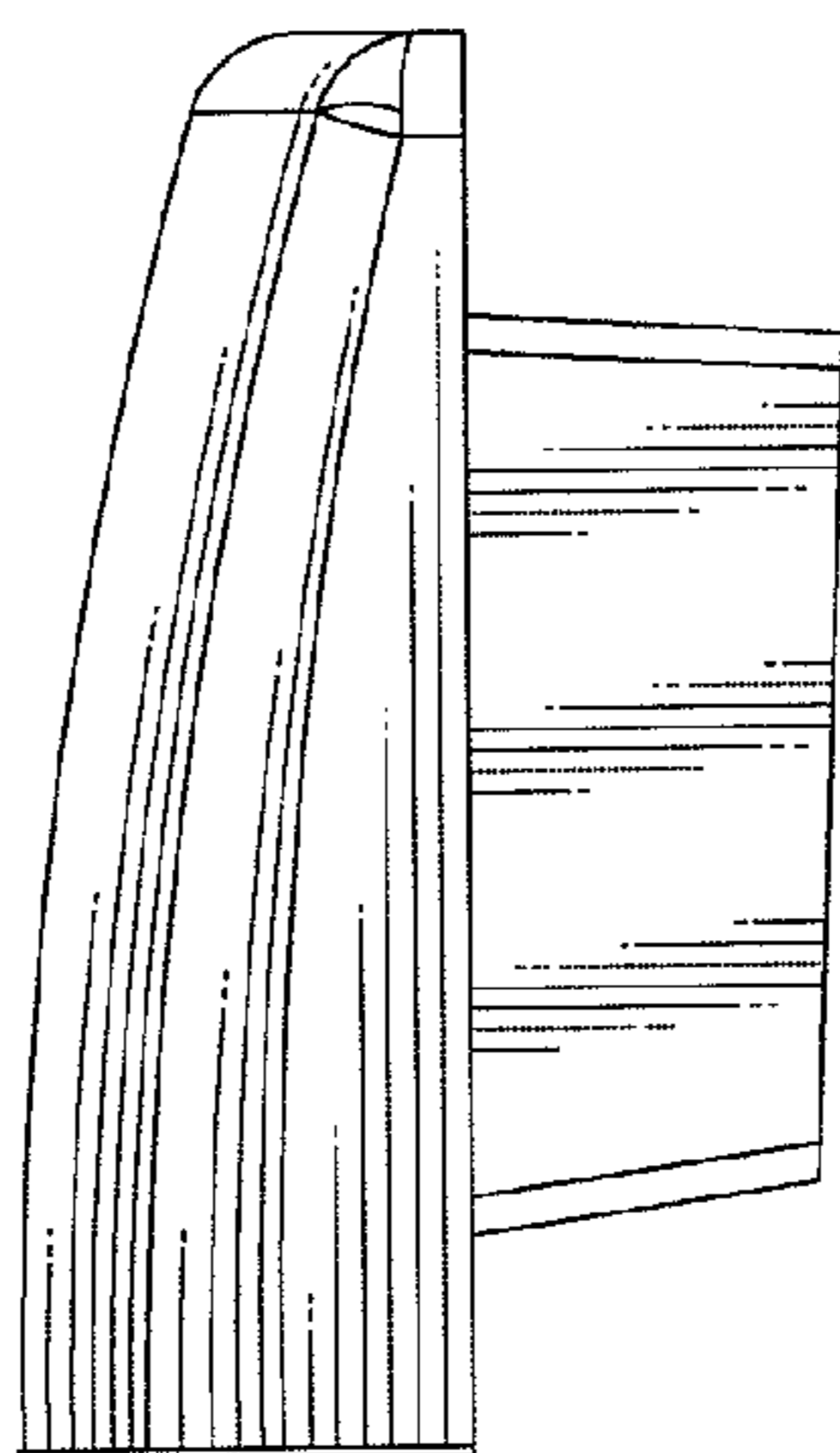


FIG. 7

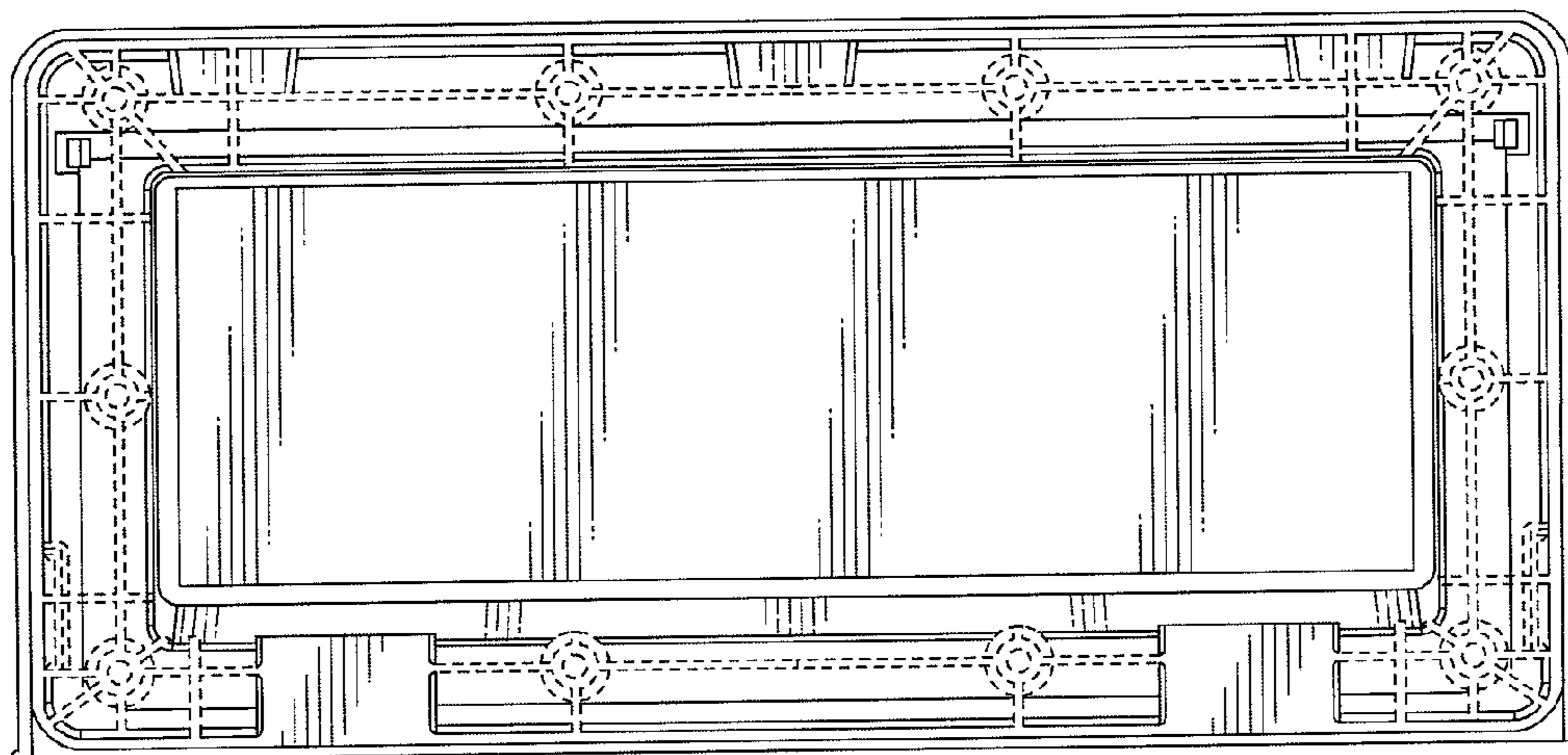


FIG. 8