



US00D695386S

(12) **United States Design Patent**
Meier et al.

(10) **Patent No.:** **US D695,386 S**

(45) **Date of Patent:** **** Dec. 10, 2013**

(54) **BLOWER FOR MEDICAL AND INDUSTRIAL APPLICATIONS**

(75) Inventors: **Peter Meier**, Fehraltorf (CH); **Daniel Stäuble**, Brüttisellen (CH)

(73) Assignee: **Micronel AG**, Tagelswangen (CH)

(**) Term: **14 Years**

(21) Appl. No.: **29/398,099**

(22) Filed: **Jul. 26, 2011**

(30) **Foreign Application Priority Data**

Jan. 27, 2011 (CH) 137691

(51) **LOC (9) Cl.** **23-04**

(52) **U.S. Cl.**
USPC **D23/383**

(58) **Field of Classification Search**

USPC D15/10, 11; D24/201, 108, 111;
D23/383, 499, 370, 139; 122/4 R,
122/13.01; 415/204, 206, 213.1, 214.1,
415/203; 417/366, 53, 372, 360, 423.15

See application file for complete search history.

(56) **References Cited**

U.S. PATENT DOCUMENTS

D207,359 S * 4/1967 Hajec D23/383
D231,531 S * 4/1974 Goossens D23/383
D291,488 S * 8/1987 Delmas D23/383
D409,737 S * 5/1999 Nilsson D23/332
D443,054 S * 5/2001 Spaggiari D23/370
D481,116 S * 10/2003 Wang et al. D23/383

D491,259 S * 6/2004 Garrison et al. D23/383
D503,788 S * 4/2005 Wang et al. D23/383
D510,995 S * 10/2005 Tam D23/383
D534,269 S * 12/2006 Liang D23/383
D537,517 S * 2/2007 Hancock D23/383
D538,491 S * 3/2007 Pan D32/15
D546,438 S * 7/2007 Demirdjian et al. D23/383
D568,459 S * 5/2008 Wang D23/383
D576,266 S * 9/2008 Yamakami D23/383
D579,100 S * 10/2008 Lin D23/383
D585,972 S * 2/2009 Allen D23/383

* cited by examiner

Primary Examiner — Mark Goodwin

(74) *Attorney, Agent, or Firm* — Preti Flaherty Beliveau & Pachios LLP

(57) **CLAIM**

The ornamental design for a blower for medical and industrial applications, as shown and described.

DESCRIPTION

FIG. 1 is a right side view of the blower for medical and industrial applications according to the presently disclosed invention;

FIG. 2 is a front view of the blower of FIG. 1;

FIG. 3 is a left side view of the blower of FIG. 1;

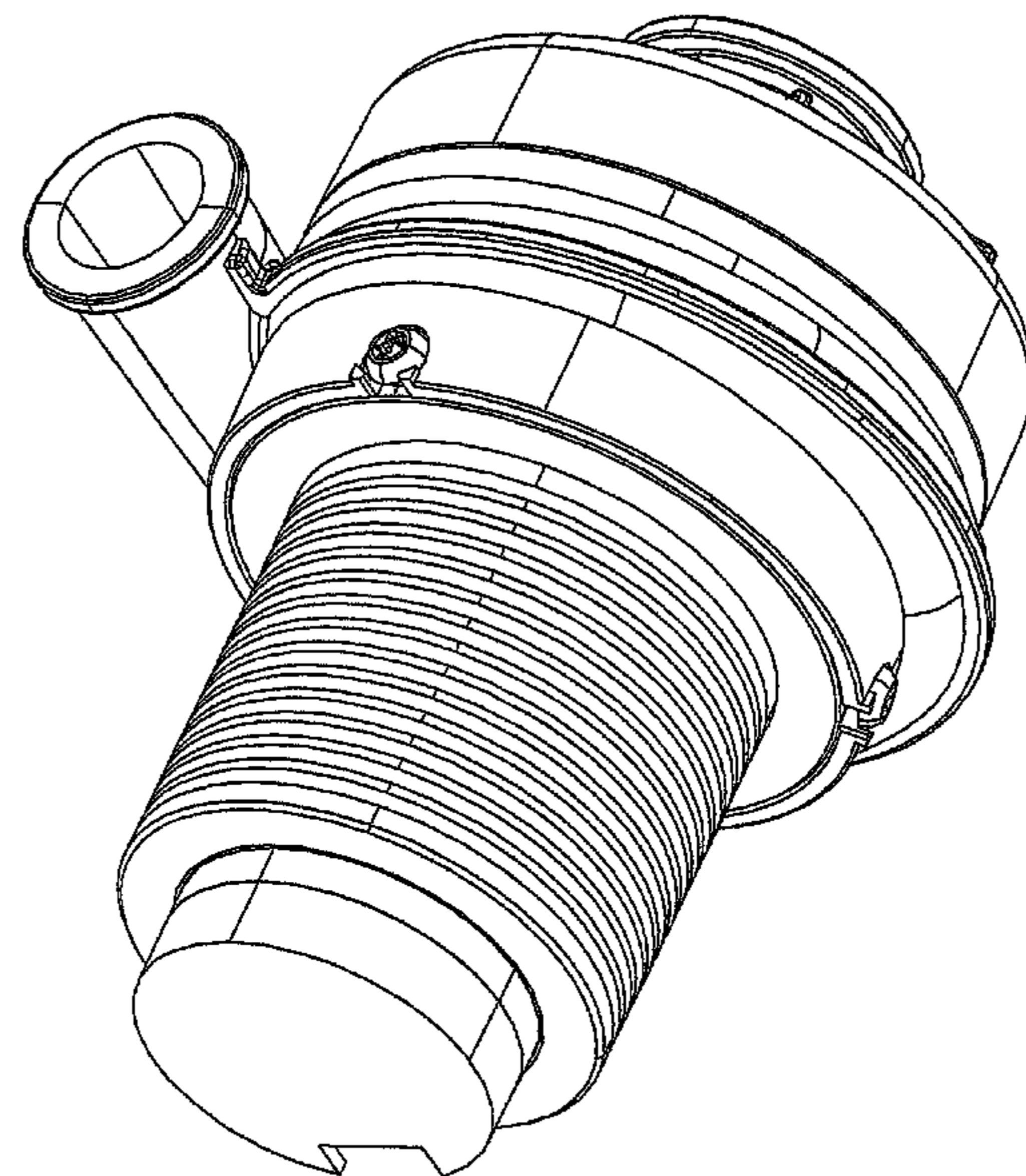
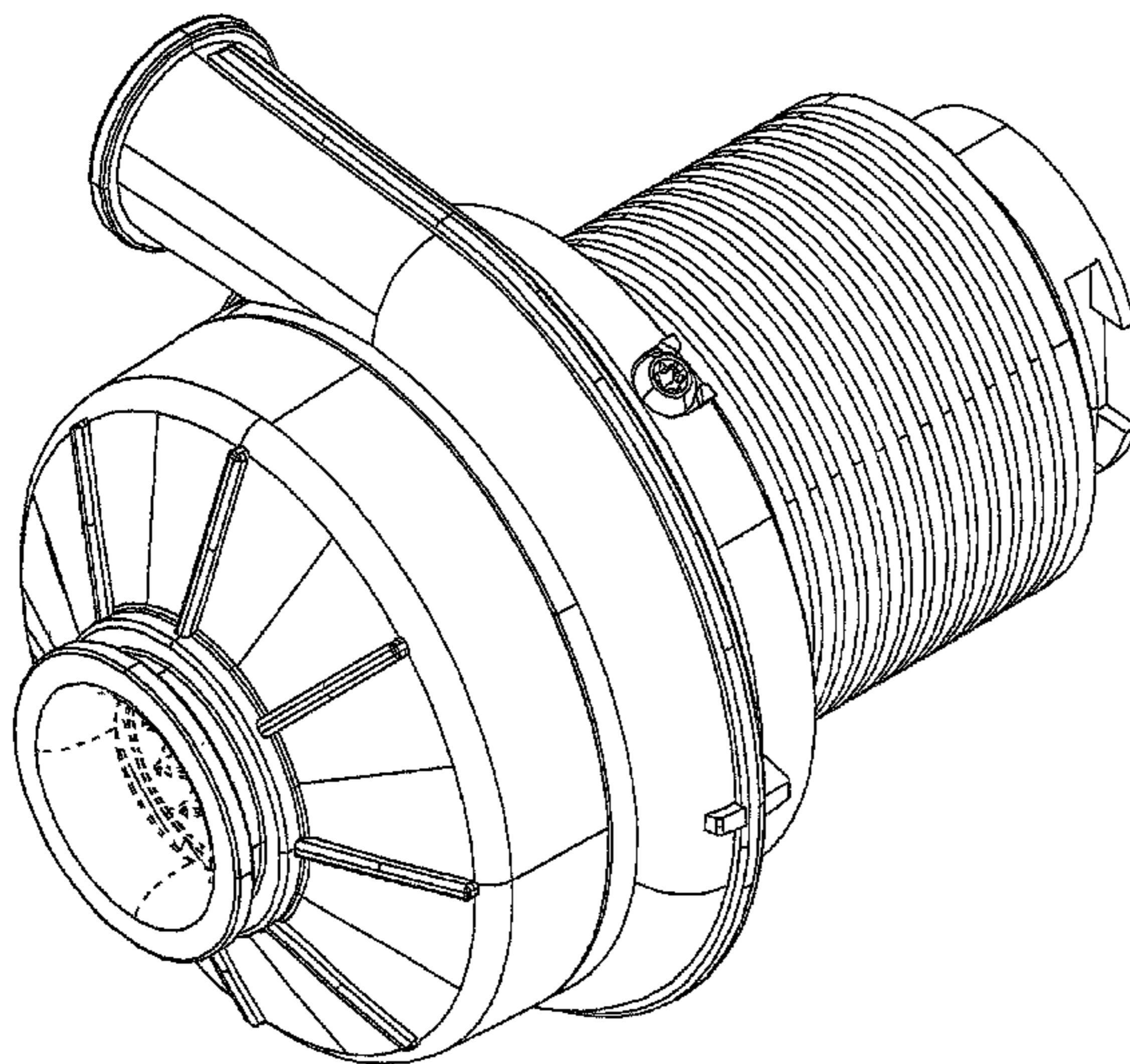
FIG. 4 is a rear view of the blower of FIG. 1;

FIG. 5 is a perspective view of the blower of FIG. 1 showing the front, bottom, and right sides thereof; and,

FIG. 6 is a perspective view of the blower of FIG. 1 showing the rear, top, and left side thereof.

The portions of the blower for medical and industrial applications shown in broken lines form no part of the claimed design.

1 Claim, 6 Drawing Sheets



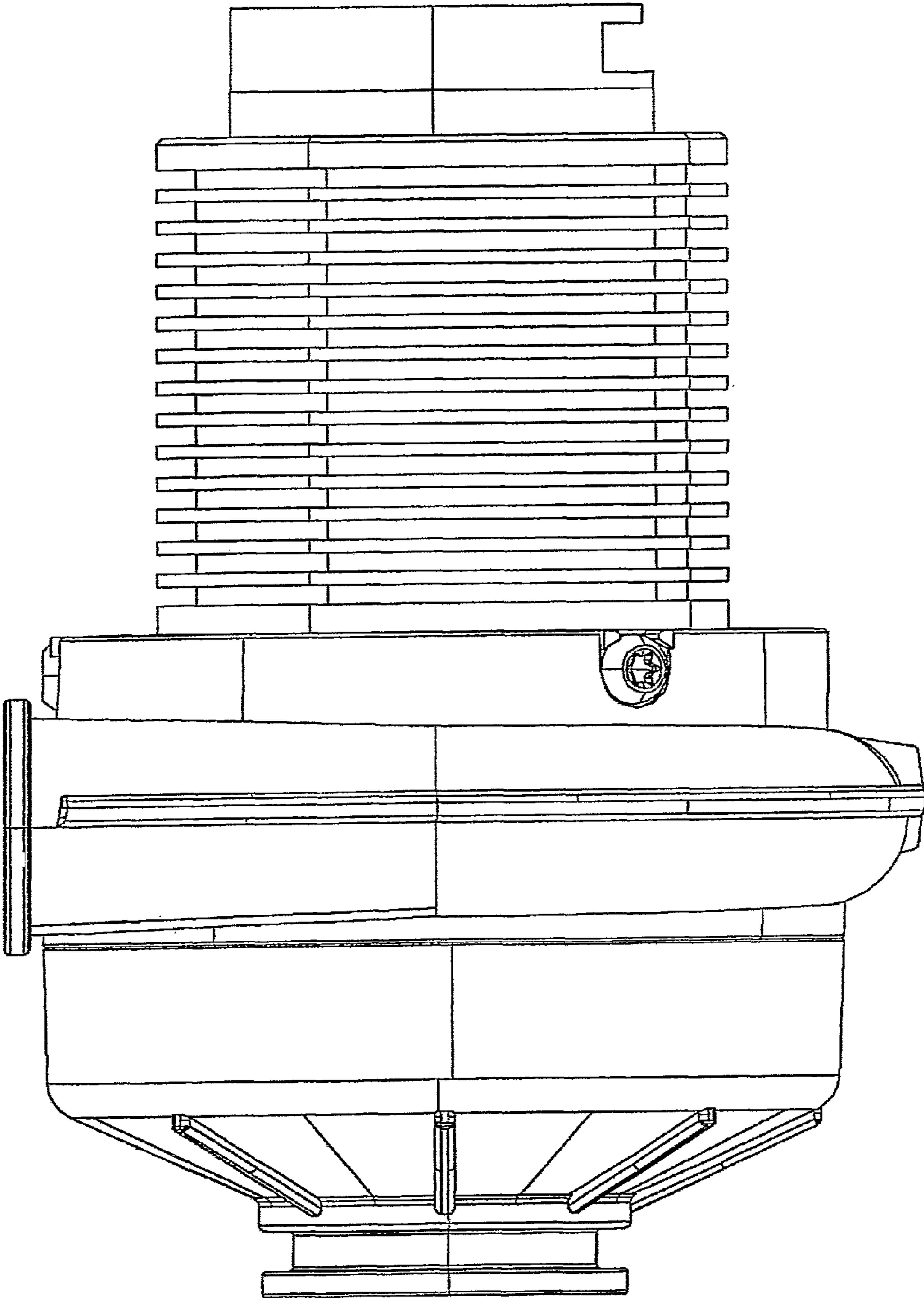


FIG. 1

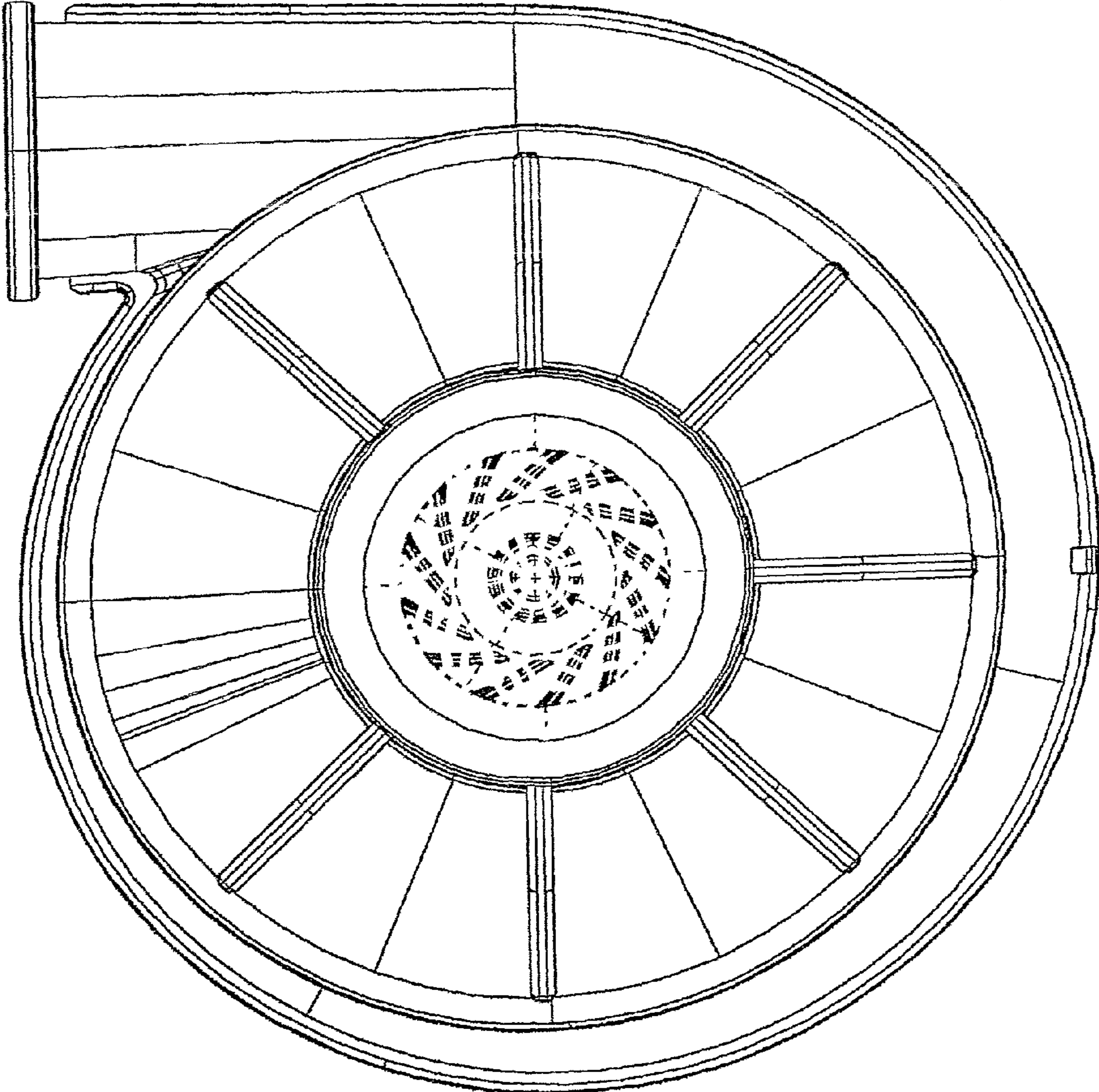


FIG. 2

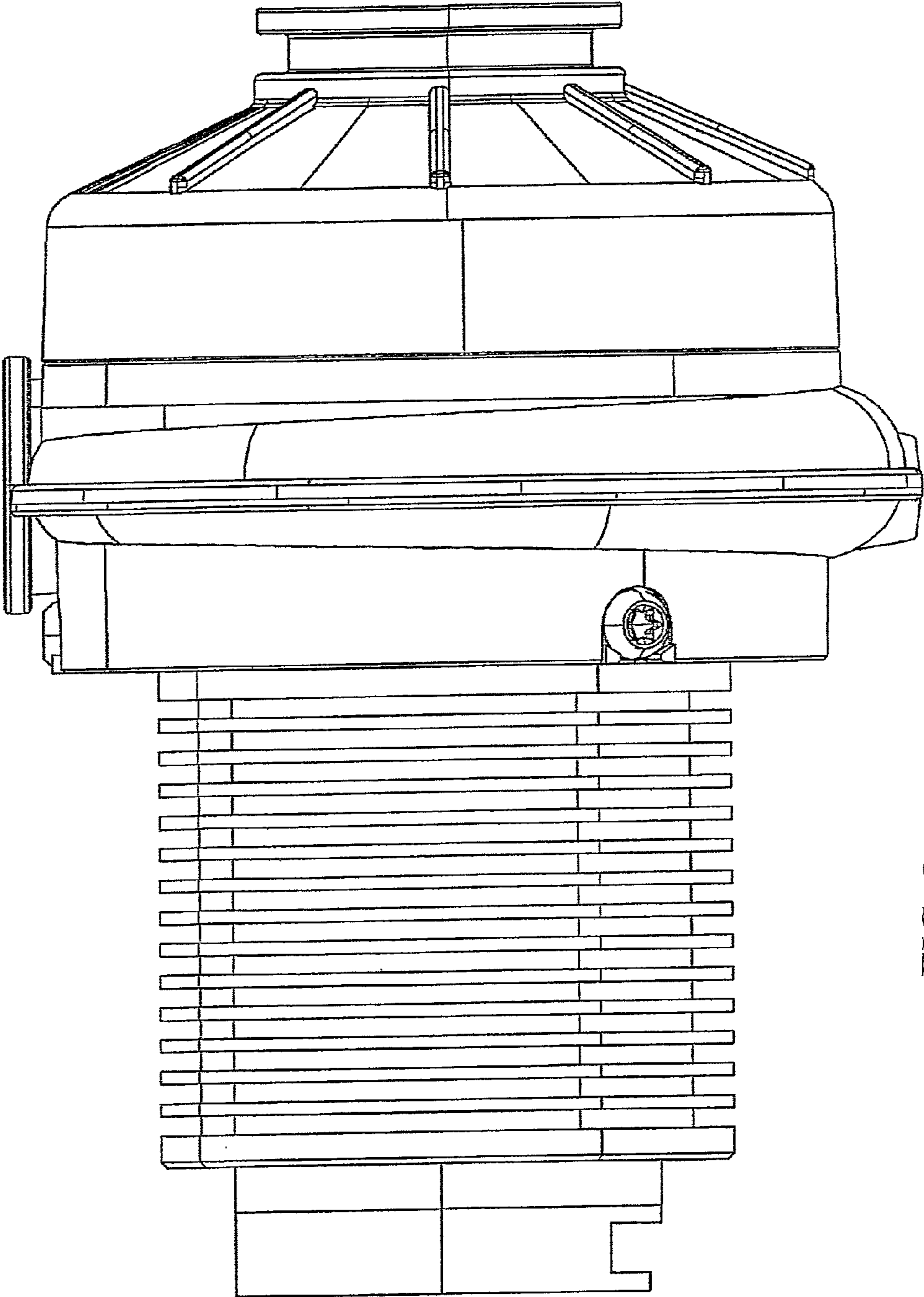


FIG. 3

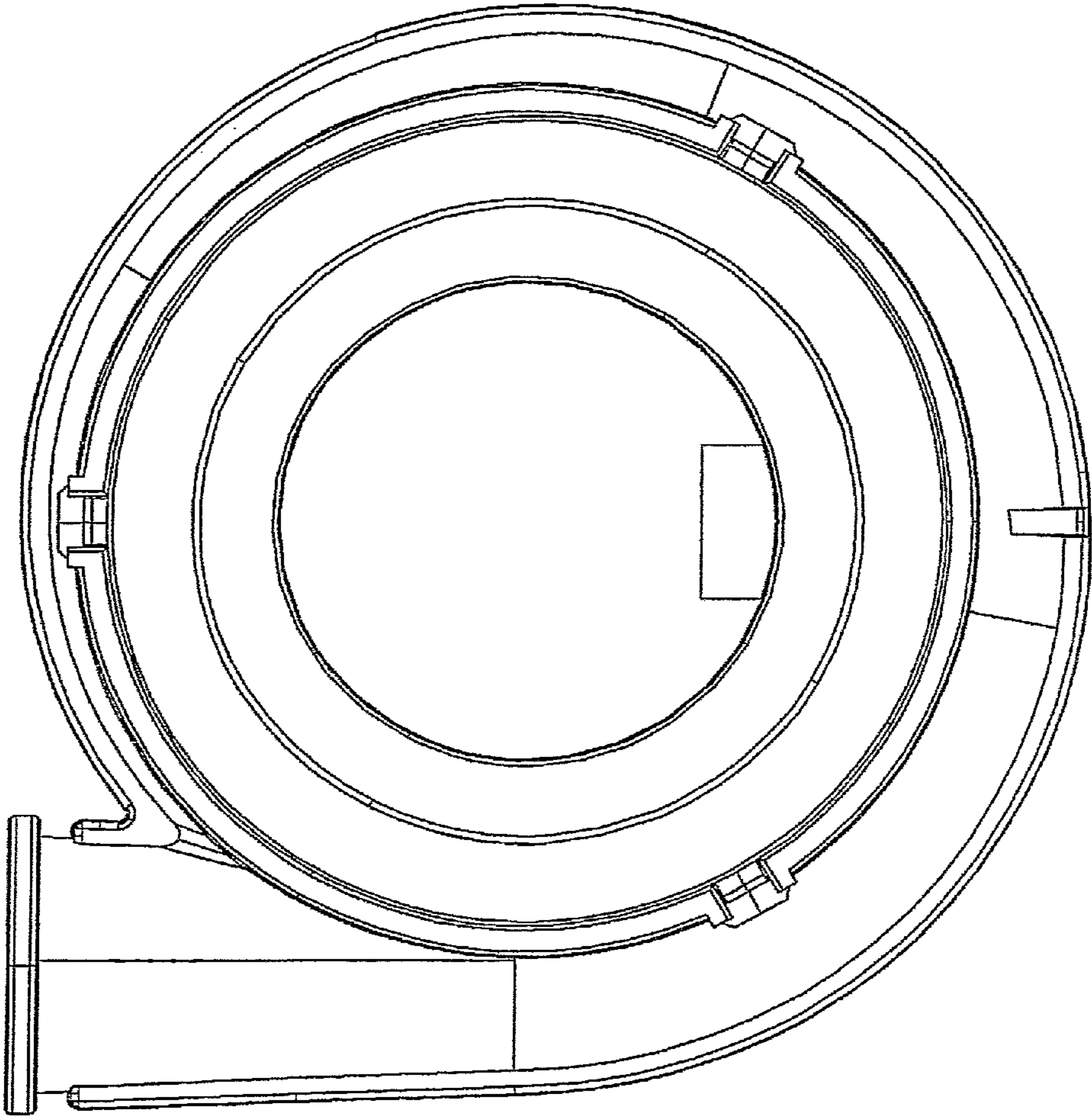


FIG. 4

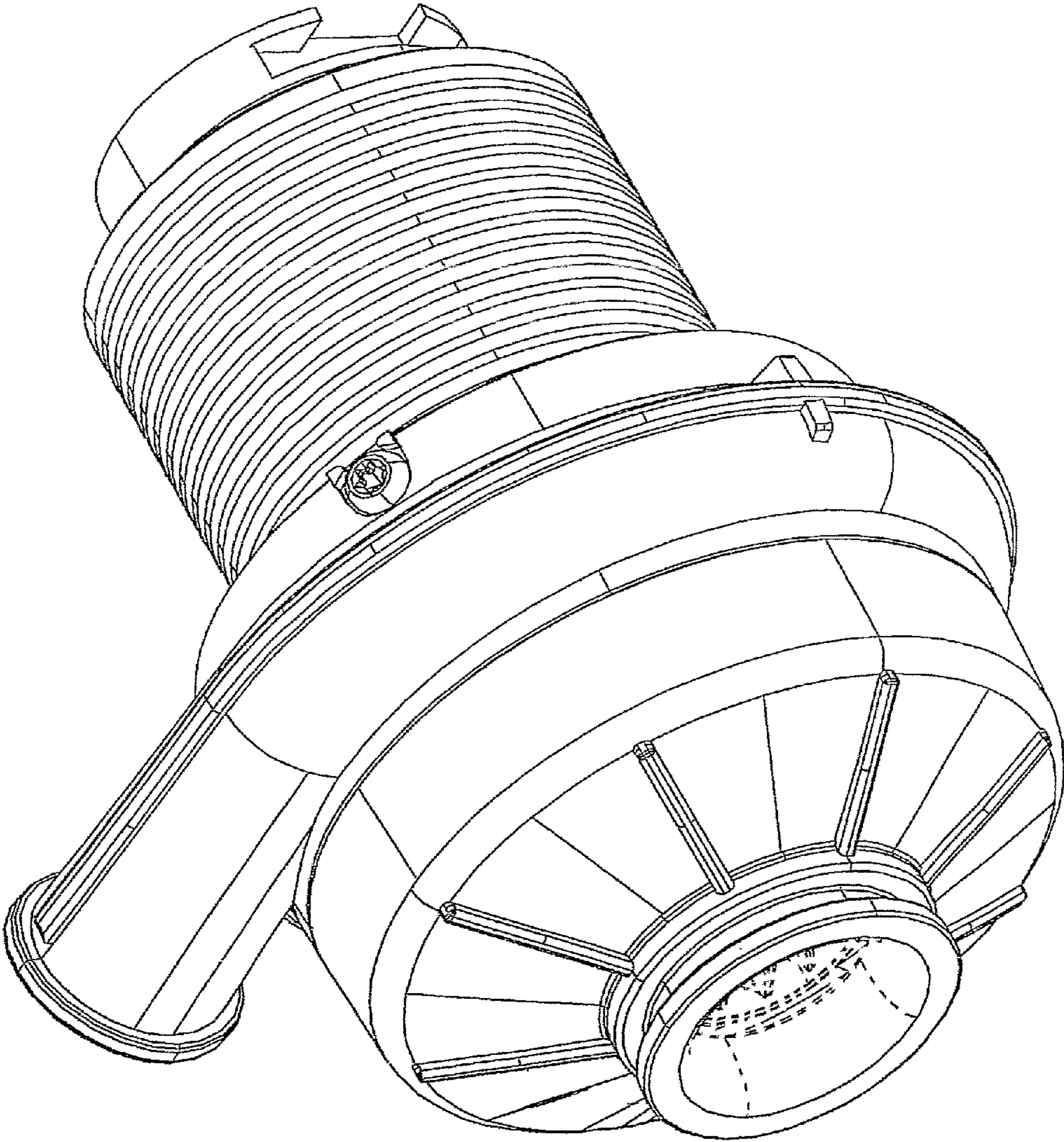


FIG. 5

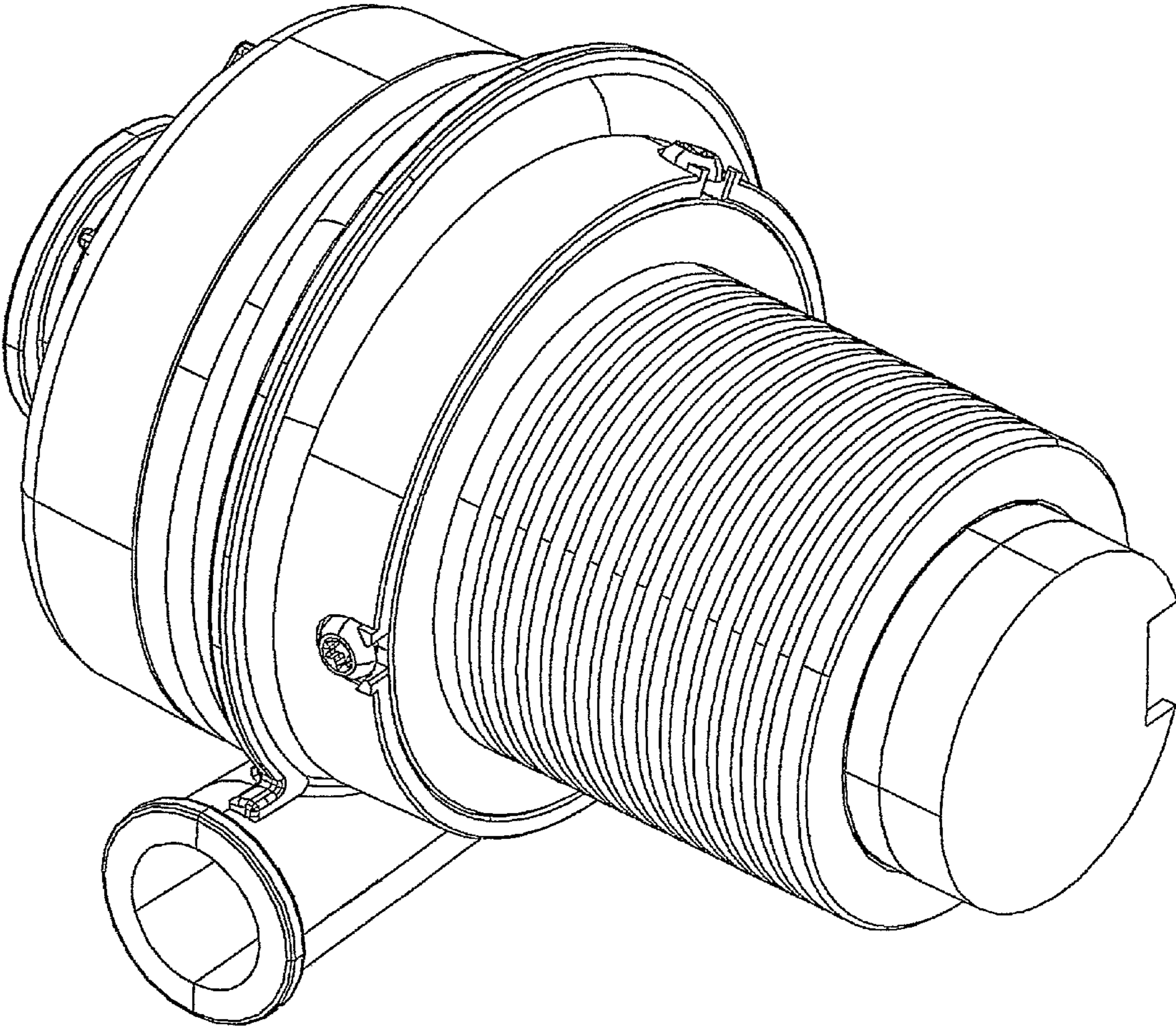


FIG. 6