

US00D695378S

(12) **United States Design Patent**
Fitzpatrick et al.

(10) **Patent No.:** **US D695,378 S**

(45) **Date of Patent:** **** *Dec. 10, 2013**

(54) **TRANSLUCENT MAGAZINE FOR A FIREARM**

(75) Inventors: **Richard Fitzpatrick**, Longmont, CO (US); **Michael T. Mayberry**, Denver, CO (US); **Brian Nakayama**, Arvada, CO (US); **Nick Kielsmeier**, Thornton, CO (US)

(73) Assignee: **Magpul Industries Corporation**, Erie, CO (US)

(*) Notice: This patent is subject to a terminal disclaimer.

(**) Term: **14 Years**

(21) Appl. No.: **29/420,155**

(22) Filed: **May 4, 2012**

(51) **LOC (9) Cl.** **22-01**

(52) **U.S. Cl.**
USPC **D22/108**

(58) **Field of Classification Search**
USPC D22/108; D21/572-573; 89/33.1, 89/40.06, 37.04, 33.04, 191.01; 362/110; 124/45, 66, 67, 74

See application file for complete search history.

(56) **References Cited**

U.S. PATENT DOCUMENTS

4,100,694	A	7/1978	Musgrave
4,139,959	A	2/1979	Howard
4,484,404	A	11/1984	Johnson
4,617,749	A	10/1986	Jurek
4,628,627	A	12/1986	Johnson
D297,854	S	9/1988	Vyprachticky
D362,044	S	9/1995	Snieszak
D593,635	S	6/2009	Fitzpatrick
7,562,482	B1	7/2009	Johnson
D600,303	S	9/2009	Fitzpatrick

(Continued)

OTHER PUBLICATIONS

Brownells AR-15/M16 Tactical Magazine, Brownells (Apr. 20, 2010) AR-15/M16 Tactical Magazine; Website [Online] Available Web Site: http://www.brownells.com/.aspx/pid=24307/Product/AR_15_M16_TACTICAL_MAGAZINE; Last Update: Unknown; Accessed on: Apr. 20, 2010.

(Continued)

Primary Examiner — Michael A Pratt

(74) *Attorney, Agent, or Firm* — Swanson & Bratschun, L.L.C.

(57) **CLAIM**

The ornamental design for a translucent magazine for a firearm, as shown and described.

DESCRIPTION

FIG. 1 is a right, top, front perspective view of a translucent magazine for a firearm showing our new design;

FIG. 2 is a right side elevation view of the translucent magazine for a firearm of FIG. 1;

FIG. 3 is a left side elevation view of the translucent magazine for a firearm of FIG. 1;

FIG. 4 is a top plan view of the translucent magazine for a firearm of FIG. 1;

FIG. 5 is a bottom plan view of the translucent magazine for a firearm of FIG. 1;

FIG. 6 is a front elevation view of the translucent magazine for a firearm of FIG. 1;

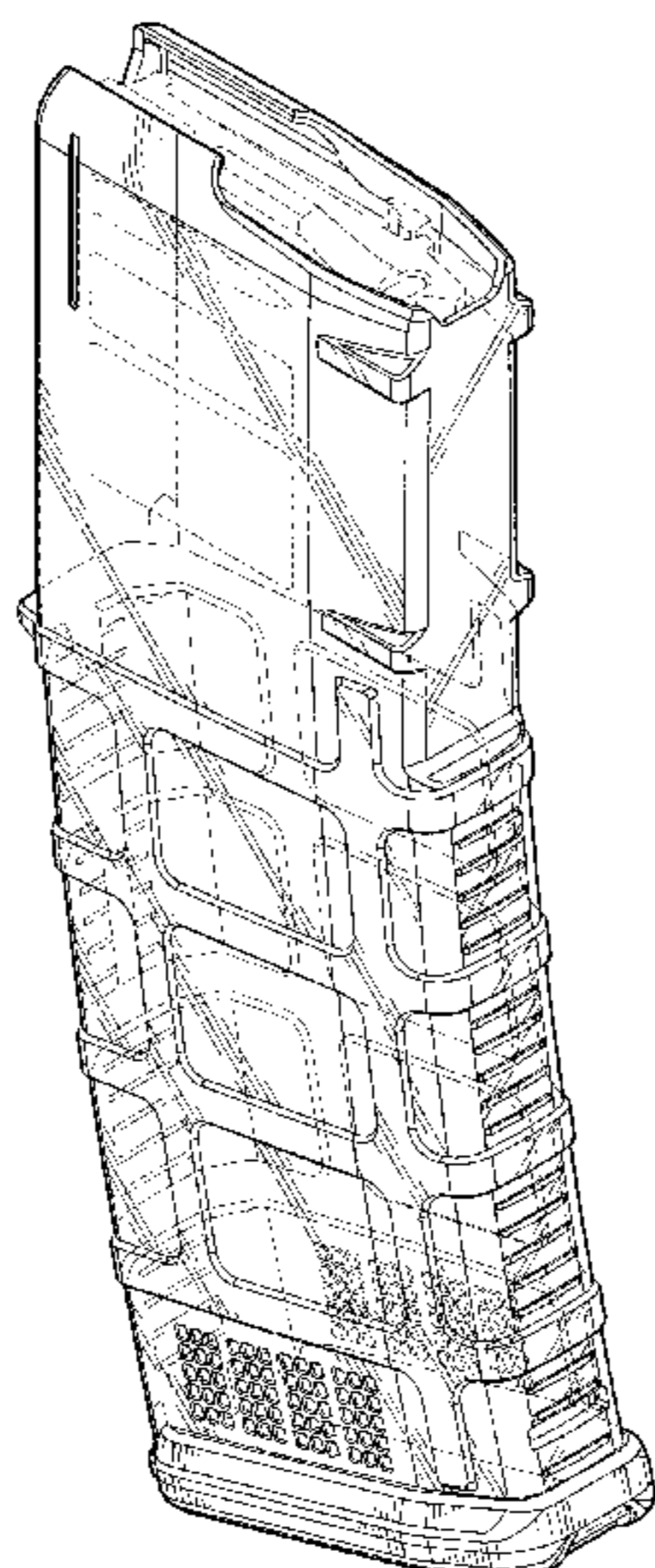
FIG. 7 is a rear elevation view of the translucent magazine for a firearm of FIG. 1;

FIG. 8 is a bottom, right, rear perspective view of the translucent magazine for a firearm of FIG. 1; and,

FIG. 9 is a left, top front perspective view of a translucent magazine for a firearm of FIG. 1 showing internal spring ammunition feed mechanism in broken lines.

The broken lines showing portions of the design in all figures is included for the purpose of illustrating environment and unclaimed features and forms not part of the claimed design.

1 Claim, 7 Drawing Sheets



(56)

References Cited

U.S. PATENT DOCUMENTS

D614,719	S	4/2010	Fitzpatrick
D614,720	S	4/2010	Fitzpatrick
D614,721	S	4/2010	Fitzpatrick
D616,057	S	5/2010	Fitzpatrick
D620,544	S	7/2010	Fitzpatrick
D620,545	S	7/2010	Fitzpatrick
7,798,045	B1	9/2010	Fitzpatrick
D632,752	S	2/2011	Fitzpatrick et al.
D633,164	S	2/2011	Fitzpatrick
D633,589	S	3/2011	Fitzpatrick
D633,590	S	3/2011	Fitzpatrick
7,958,660	B2	6/2011	Fitzpatrick et al.
D642,234	S *	7/2011	Marfione et al. D22/108
D642,647	S	8/2011	Fitzpatrick et al.
8,061,255	B1	11/2011	Boberg
D676,455	S	2/2013	Walsh et al.
D680,613	S	4/2013	Fitzpatrick
D681,151	S	4/2013	Fitzpatrick
2010/0251590	A1	10/2010	Fitzpatrick
2012/0066950	A1	3/2012	Davidson
2012/0317857	A1	12/2012	Fitzpatrick et al.
2013/0086834	A1	4/2013	Battaglia

OTHER PUBLICATIONS

EMA Tactical CDMAG Countdown Magazine, EMA Tactical (Apr. 20, 2010) CDMAG Countdown Magazine; Website [Online] Available Web Site: <http://www.ematactical.com/viewProduct.asp?ID=278&catID=8>; Last Update: Unknown, Accessed on: Apr. 20, 2010.

Foltz (Feb. 21, 2007) 5.56mm 30 Round Magazine Improvement Programs; PDF [Online] Available Web Site: <http://www.dtic.mil/ndia/2006smallarms/foltz.pdf> Last Update: Feb. 21, 2007; Accessed on: Apr. 20, 2010.

Gunbroker.com 2010 Eagle International 223 Polymer Magazine, Gunbroker.com (Apr. 20, 2010) Eagle International 223 Polymer Magazine 223; Website [Online] Available Web Site: <http://www.gunbroker.com/Auction/ViewItem.aspx?Item=164602069#PIC>; Last Update: Unknown; Accessed on: Apr. 20, 2010.

HKParts.net 2010 HK G36 30 Round Magazine, HKParts.net (Apr. 20, 2010) HK G36 30 Round Magazine; Website [Online] Available Web Site: <http://www.hkparts.net/shop/pc/HK-G36-30-Round-Mag-Fits-G36-G36K-G36C-Converted-SL8-s-182p624.htm>; Last Update: Unknown; Accessed on: Apr. 20, 2010.

HKParts.net 2010 30 Round HK 416 KCI Steel 556 Magazine, HKParts.net (Apr. 20, 2010) 30 Round HK 416 KCI Steel 556 Magazine; Website [Online] Available Web Site: <http://www.hkparts.net/shop/pc/30-Round-HK-416-KCI-Steel-556-Magazine-64p982.htm>; Last Update: Unknown; Accessed on: Apr. 20, 2010.

Lancer Systems 2010 L5 Translucent Magazine, Lancer Systems (Apr. 20, 2010) L5 Translucent Magazine; Website [Online] Available Web Site: http://www.lancer-systems.com/L5_2010_30.html; Last Update: Unknown; Accessed on: Apr. 20, 2010.

Tangodown 2010 ARC-L Magazine, TangoDown (Apr. 20, 2010) ARC-L Magazine; Website [Online] Available Web Site: http://tangodown.com/shop/product_info.php?products_id=126; Last Update: Unknown, Accessed on: Apr. 20, 2010.

ThermoldMagazines.com 2010 Magazines, Thermoldmagazines.com (Apr. 20, 2010) Magazines; Website [Online] Available Web Site: <http://www.thermoldmagazines.com/magazines.html>; Last Update: Unknown; Accessed on: Apr. 20, 2010.

Troyind.com 2010 Troy BattleMag, Troyind.com (Apr. 20, 2010) Troy BattleMag; Website [Online] Available Web Site: http://store.troyind.com/Troy_BattleMag_p/smag-sin-00bt-00.htm; Last Update: Unknown; Accessed on: Apr. 20, 2010.

Design U.S. Appl. No. 29/354,001, filed Jan. 18, 2010, "Firearm Magazine".

Design U.S. Appl. No. 29/354,005, filed Jan. 18, 2010, "Large Capacity Firearm Magazine".

Design U.S. Appl. No. 29/354,007, filed Jan. 18, 2010, "Small Capacity Firearm Magazine".

Design U.S. Appl. No. 29/354,008, filed Jan. 18, 2010, "Medium Capacity Firearm Magazine".

Brownells 2012 AR15-M16 20-30-Round Magazines, Brownells (2012) AR-15/M16 20- & 30-Round Magazines; Website [Online] Available Web Site: <http://www.brownells.com.aspx/pid=21225/Product/AR-15-M16-20-30-ROUND-MAGAZINES>; Last Update: unknown; Accessed on May 4, 2012.

Cheaperthandirt.com 2010 Mag AR-15 223 OrLite, Cheaperthandirt.com (Apr. 20, 2010) Mag AR-15.223 OrLite 30 Round Israeli Shows Field Use; Website [Online] Available Web Site: <http://www.cheaperthandirt.com/MAG105-1.html>; Last Update: Unknown; Accessed on: Apr. 20, 2010.

HKParts.net 2010 SL8 20 Round Single Stack Magazine, HK Parts.net (May 7, 2010) SL8 20 Round Single Stack Magazine; Website [Online] Available Web Site: <http://www.hkparts.net/shop/pc/SL8-20-Round-Single-Stack-Magazine-182p805.htm>; Last Update: Jul. 6, 2010; Accessed on May 4, 2012.

Lancer Systems 2012 AWM Magazine, Lancer Systems (2012) L5 AWM Magazine; Website [Online] Available Web Site: http://www.lancer-systems.com/L5_AWM.html; Last Update: Unknown; Accessed on: May 4, 2012.

Lancer Systems 2010 L5 Translucent Magazine 20-30 Round, Lancer Systems (Apr. 16, 2010) L5 Translucent Magazine 2- & 30 Round Magazines; Website [Online] Available Web Site: http://www.lancer-systems.com/L5_2010_30.html; Last Update: Nov. 14, 2010; Accessed on: May 4, 2012.

Magpul 2010 PMAG Magazines, Magpul (Jan. 3, 2010) PMAG Magazines; Website [Online] Available Web Site: http://store.magpul.com/prod_detail_list/2 Last Update: Dec. 2, 2010 Accessed on: May 4, 2012.

Remtek.com 1999 Steyr AUG Magazine Group, Remtek.com (Oct. 4, 1999) Steyr AUG Magazine Group; Website [Online] Available Web Site: <http://www.remtek.com/arms/steyr/aug/specs/magazine/magazine.htm> Last Update: Apr. 7, 2009; Accessed on: May 4, 2012.

ThermoldMagazines.com 2012 M-16AR-M15-30-Magazines, Thermoldmagazines.com (2012) M-16/AR-15/30-Magazine; Website [Online] Available Web Site: <http://www.thermoldmagazines.com/collections/magazines-accessories/products/m-16-ar-15-30-magazine>; Last Update: Unknown; Accessed on: May 4, 2012.

Design U.S. Appl. No. 29/410,910, filed Jan. 13, 2012, "PMAG 30M3 Firearm Magazine" by Fitzpatrick.

Design U.S. Appl. No. 29/423,116, filed May 29, 2012, "M3 10 Magazine" by Bennett.

Design U.S. Appl. No. 29/423,117, filed May 29, 2012, "M3 20 Magazine" by Bennett.

Design U.S. Appl. No. 29/440,787, filed Dec. 27, 2012, "Firearm Magazine" by Mayberry.

Design U.S. Appl. No. 29/440,889, filed Dec. 28, 2012, "Firearm Magazine" by Kielsmeier.

Design U.S. Appl. No. 29/440,792, filed Dec. 27, 2012, "Firearm Magazine with Window" by Kielsmeier.

Design U.S. Appl. No. 29/450,963, filed Mar. 26, 2013, "Magazine for a Firearm" by Nakayama.

Design U.S. Appl. 29/450,964, filed Mar. 26, 2013, "Magazine for a Firearm" by Nakayama.

* cited by examiner

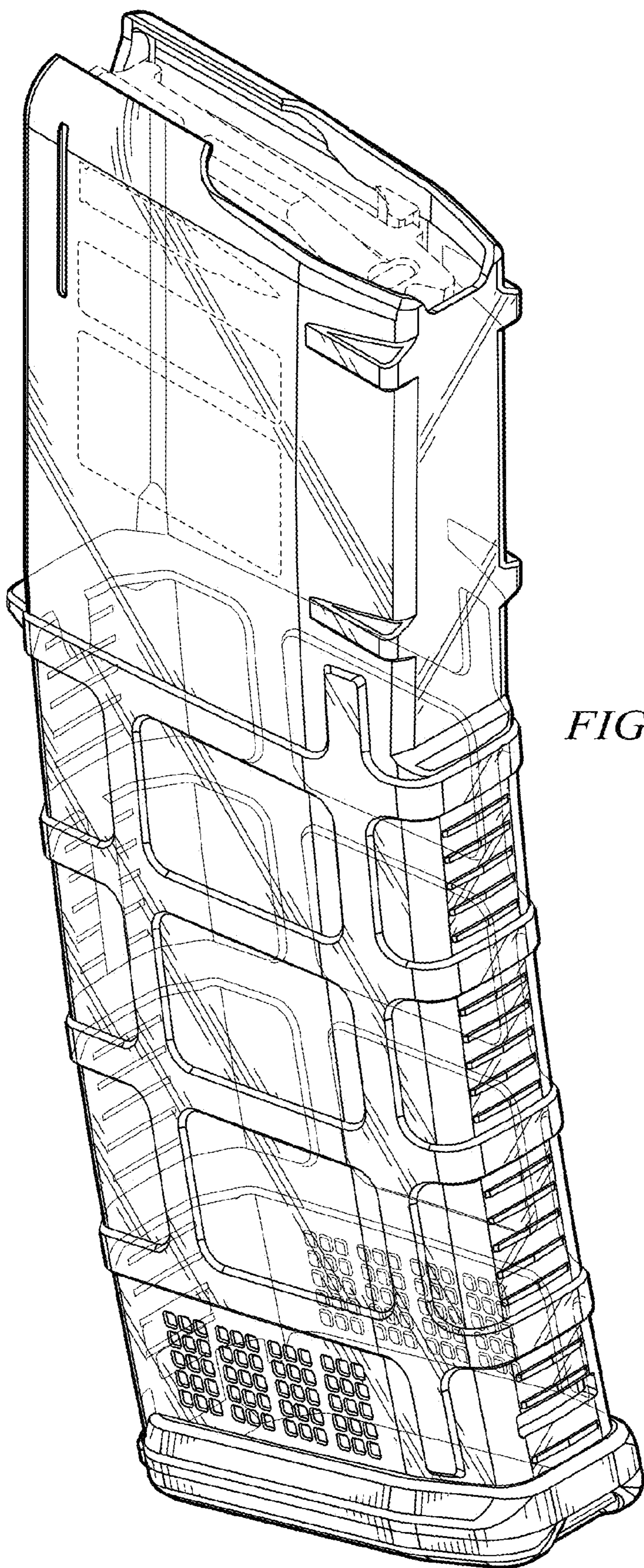


FIG. 1

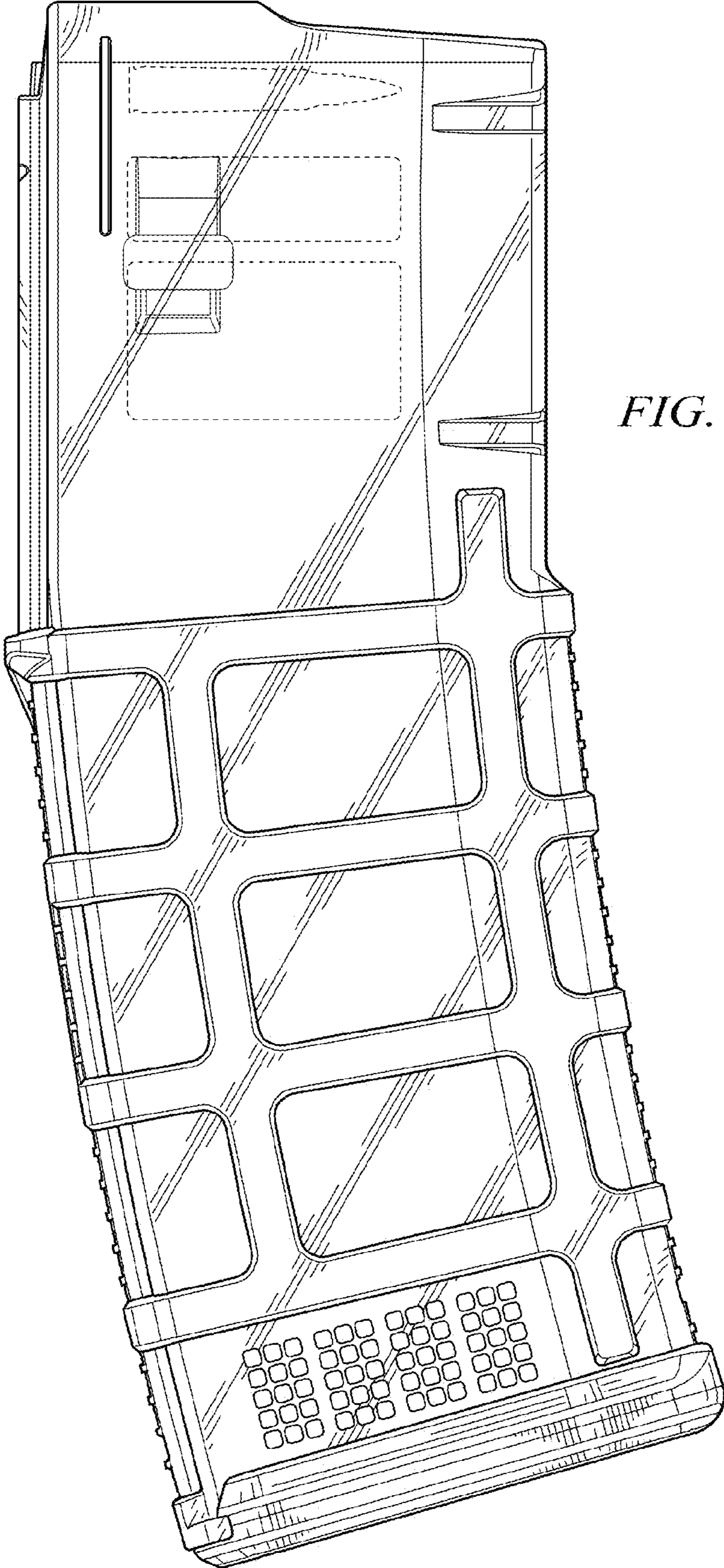
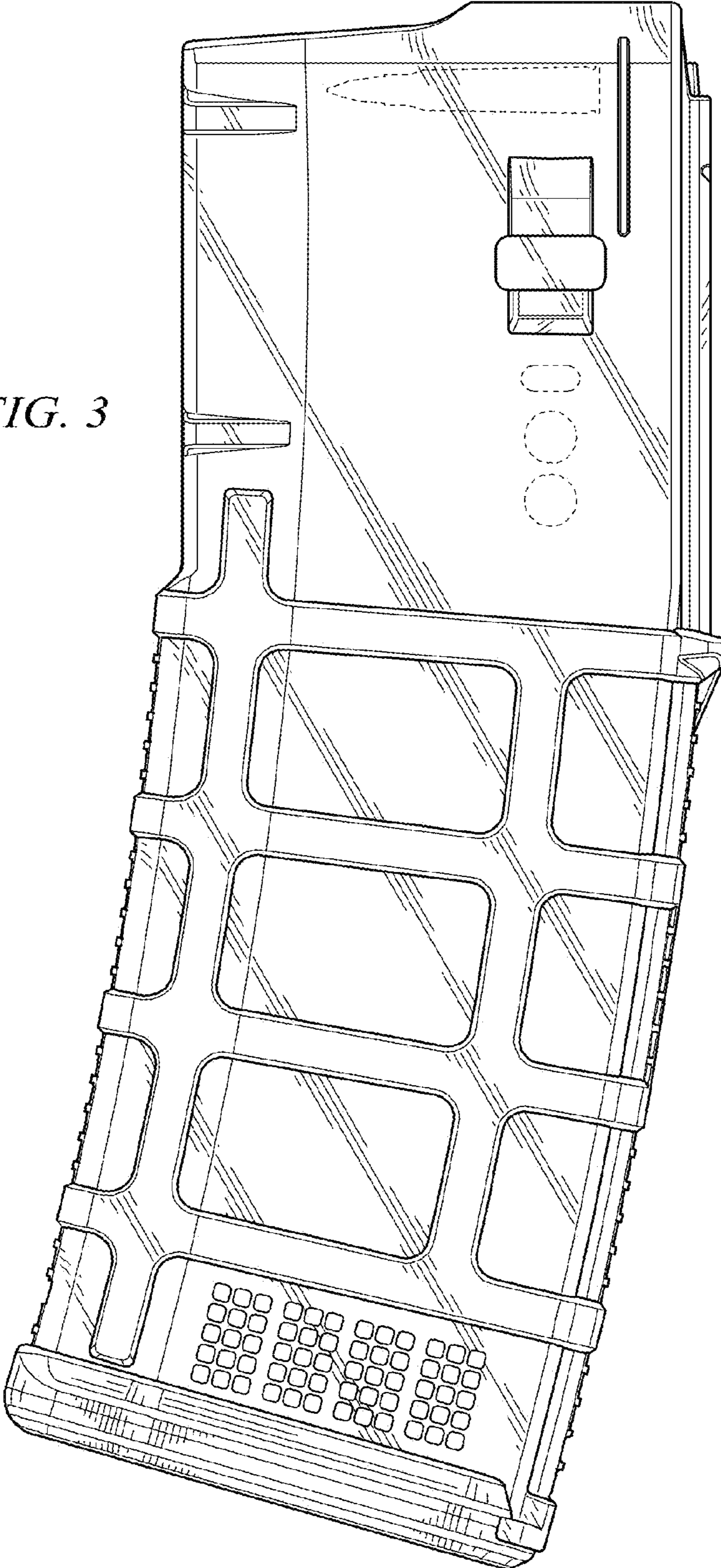


FIG. 2

FIG. 3



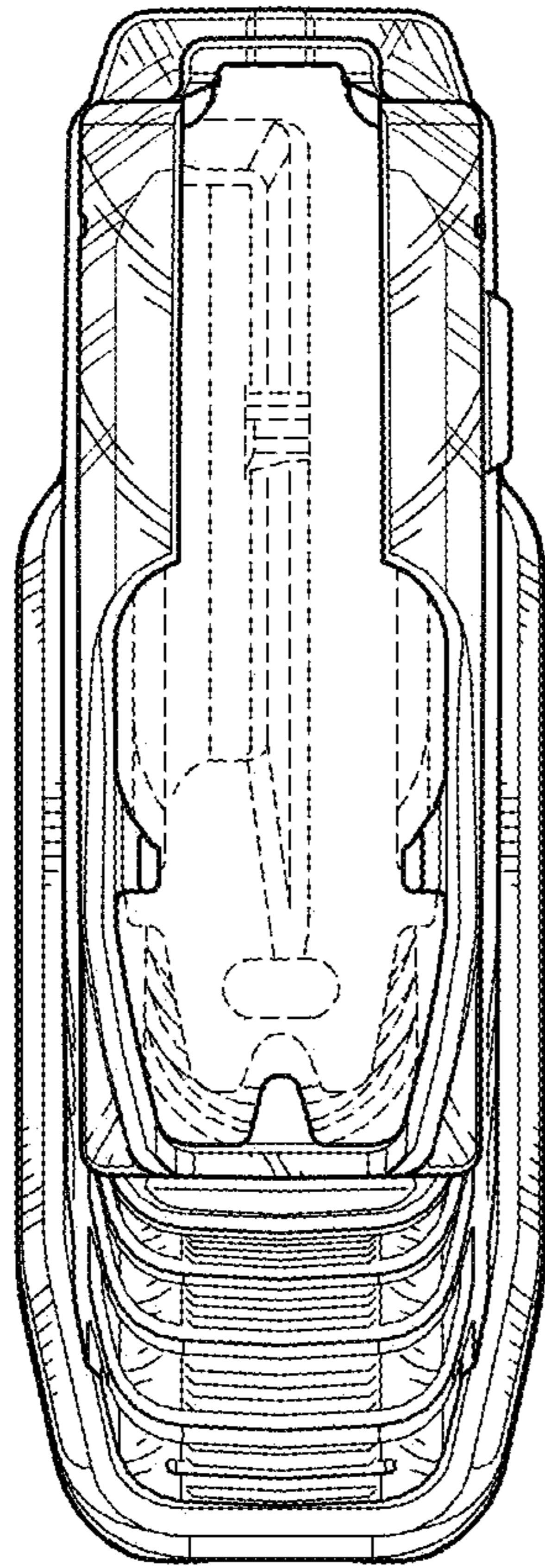


FIG. 4

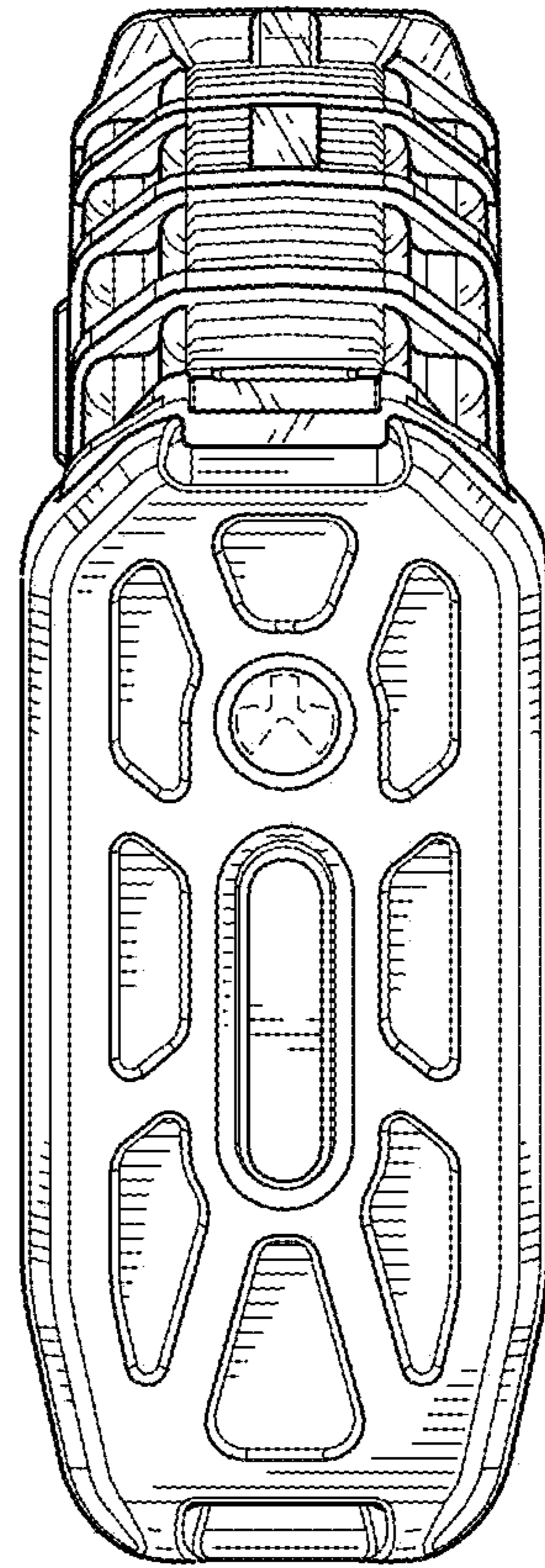


FIG. 5

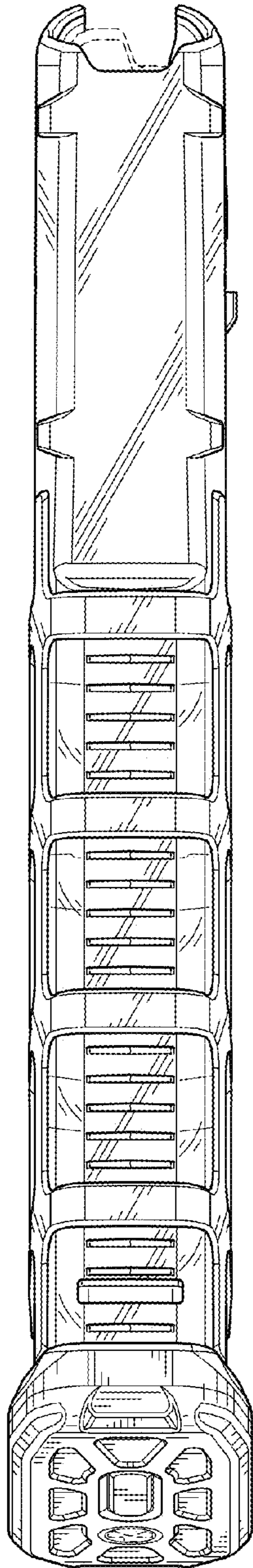


FIG. 6

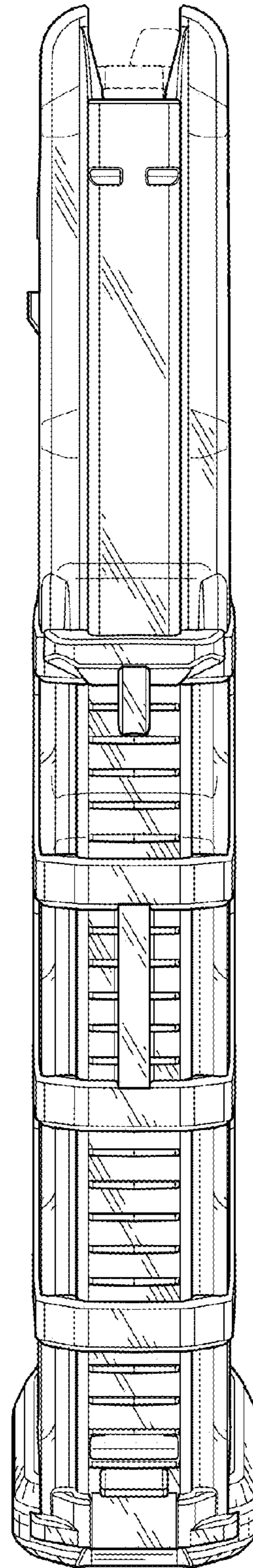


FIG. 7

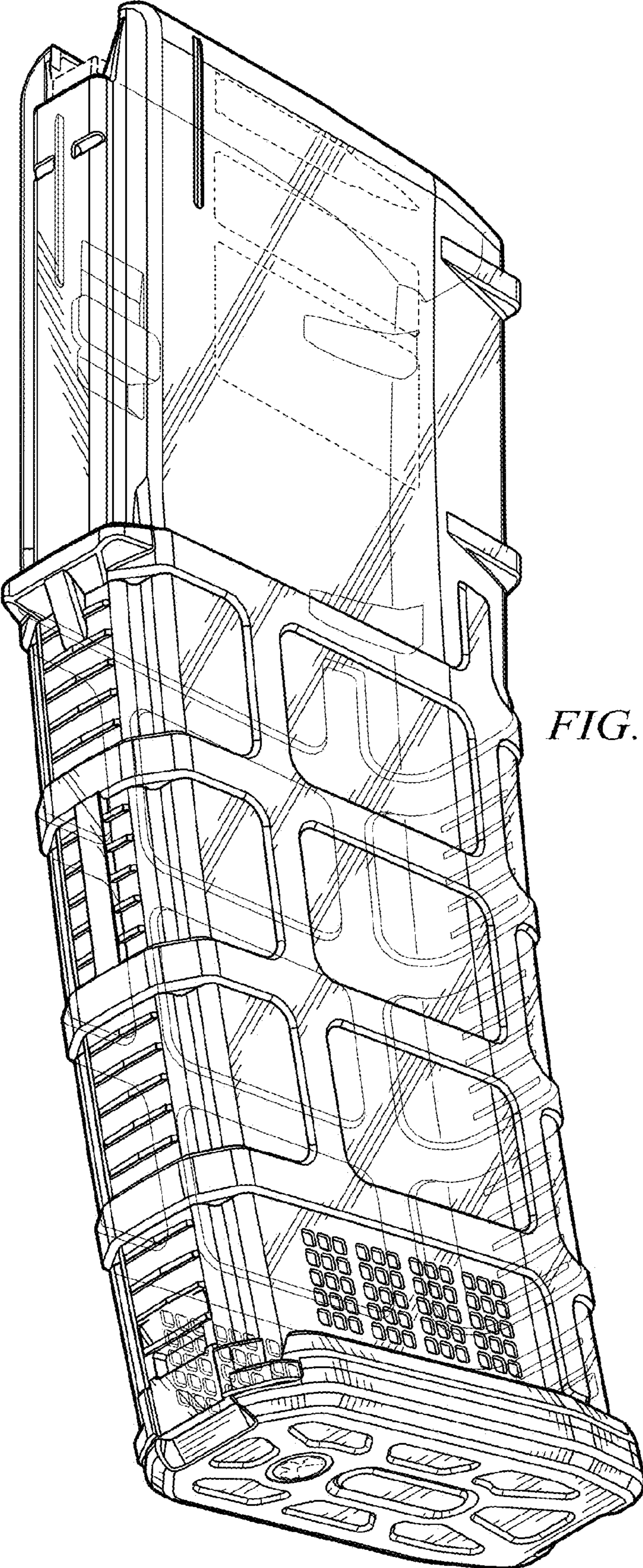


FIG. 8

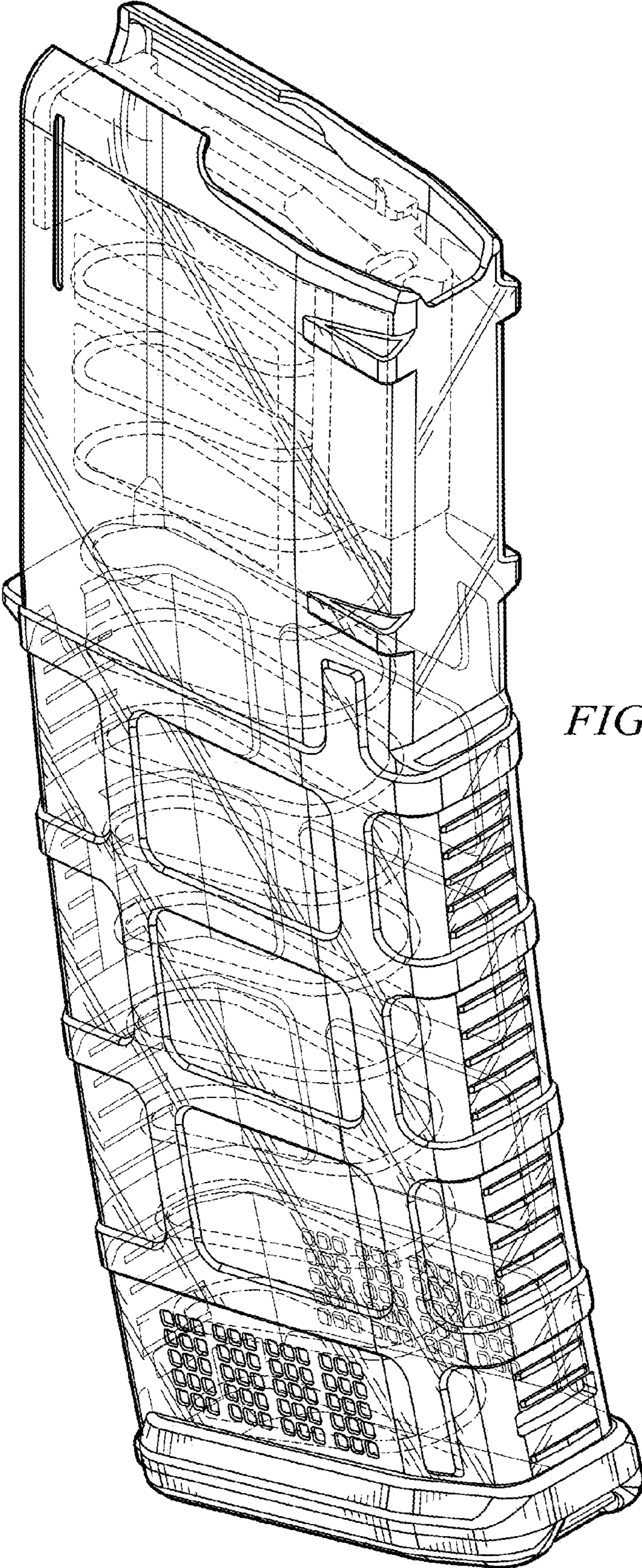


FIG. 9