



US00D695377S

(12) **United States Design Patent**  
**Mayberry et al.**

(10) **Patent No.:** **US D695,377 S**

(45) **Date of Patent:** **\*\* Dec. 10, 2013**

(54) **STOCK FOR FIREARM**

(75) Inventors: **Michael T. Mayberry**, Denver, CO (US); **Richard Fitzpatrick**, Longmont, CO (US); **Grady Barfoot**, Denver, CO (US); **Nick Kielsmeier**, Thornton, CO (US); **Brian Nakayama**, Arvada, CO (US); **Brad Bennett**, Lafayette, CO (US); **Sean William Flickinger**, Lakewood, CO (US)

4,663,877 A	5/1987	Bragg	
D927,855	9/1988	Ruger	
4,788,785 A	12/1988	White	
D304,223 S *	10/1989	Ruger et al.	..... D22/108
4,896,446 A	1/1990	Gregory	
5,031,348 A	7/1991	Carey	
5,075,995 A	12/1991	Kennel	
D324,557 S	3/1992	Livingston	

(Continued)

**OTHER PUBLICATIONS**

Command Arms Accessories Online Catalog (2008) SRS Product Information.

(Continued)

*Primary Examiner* — Michael A Pratt

(74) *Attorney, Agent, or Firm* — Swanson & Bratschun, L.L.C.

(73) Assignee: **Magpul Industries Corporation**, Erie, CO (US)

(\*\*) Term: **14 Years**

(21) Appl. No.: **29/403,627**

(22) Filed: **Oct. 7, 2011**

(51) **LOC (9) Cl.** ..... **22-01**

(52) **U.S. Cl.**  
USPC ..... **D22/108**

(58) **Field of Classification Search**  
USPC ..... D22/100, 101, 103, 104, 108; 42/51, 42/90, 71.01, 71.02, 73, 75.01, 75.02; 89/40.06, 37.04, 33.04; D21/572-573  
See application file for complete search history.

(56) **References Cited**

**U.S. PATENT DOCUMENTS**

1,032,628 A	7/1912	Sherman	
1,651,299 A	11/1927	Stansel	
D196,304 S *	9/1963	Hoge	..... D22/103
3,618,249 A	11/1971	Grandy	
3,710,496 A	1/1973	Packmayr	
D241,836 S	10/1976	Ruger	
4,120,108 A	10/1978	Vickers	
4,122,623 A	10/1978	Stice	
4,203,243 A	5/1980	Hickman	
4,589,219 A	5/1986	Milliman	

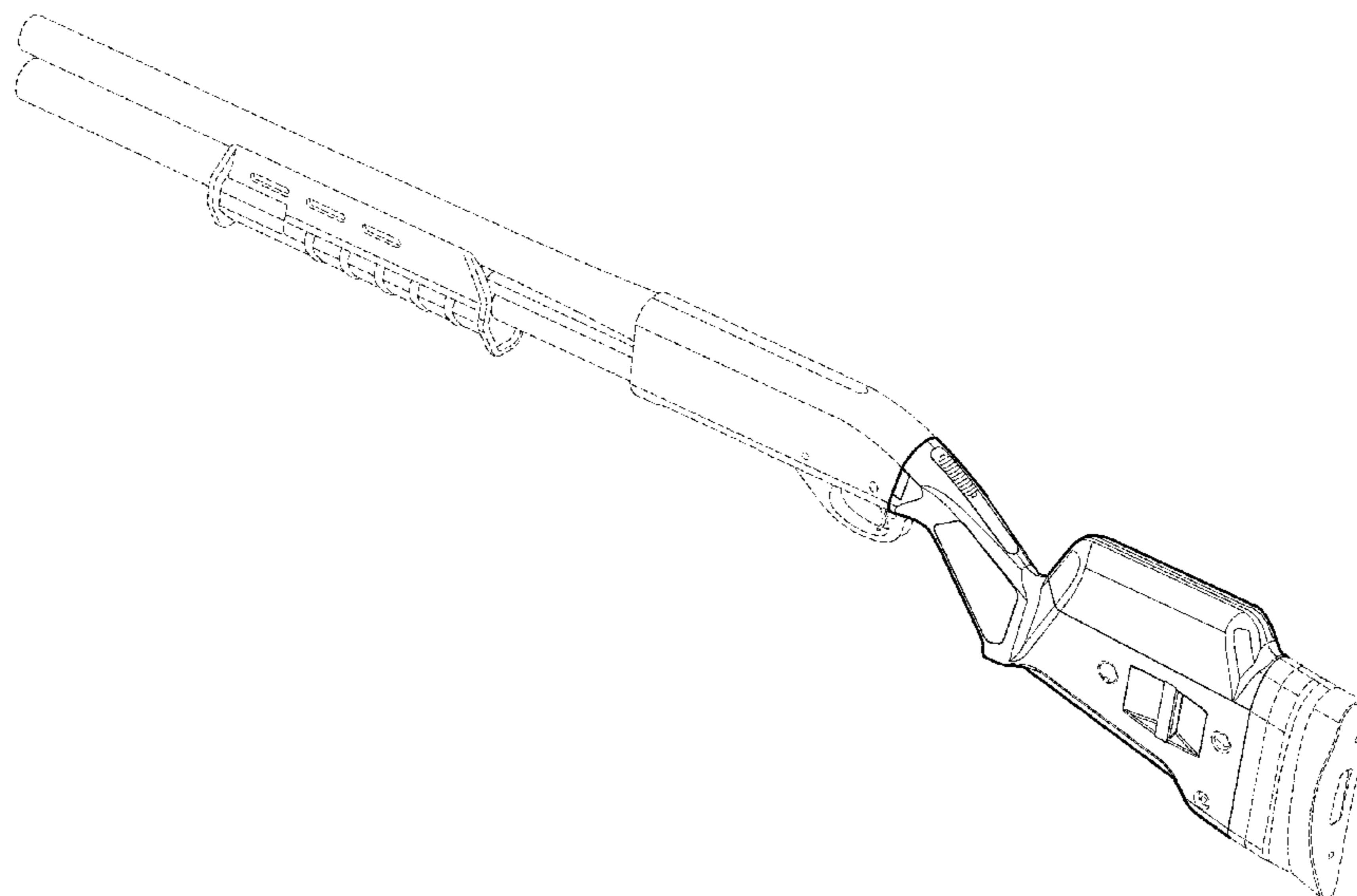
(57) **CLAIM**

The ornamental design for a stock for firearm, as shown and described.

**DESCRIPTION**

FIG. 1 is a left, rear, top perspective view of a stock attached to a firearm showing our new design; FIG. 2 is a left, front, top perspective view of the stock of FIG. 1 with the firearm barrel omitted; FIG. 3 is a right side elevation view of the stock of FIG. 1, the left side being a mirror image thereof; FIG. 4 is a top plan view of the stock of FIG. 1; FIG. 5 is a bottom plan view of the stock of FIG. 1; FIG. 6 is a rear elevation view of the stock of FIG. 1; and, FIG. 7 is a front elevation view of the stock of FIG. 1. The broken lines showing portions of the design in all figures is included for the purpose of illustrating environment and unclaimed features and forms not part of the claimed design.

**1 Claim, 5 Drawing Sheets**



(56)

**References Cited**

U.S. PATENT DOCUMENTS

5,933,997 A 8/1999 Barrett  
 D462,104 S \* 8/2002 McCarthy ..... D22/108  
 6,598,330 B2 7/2003 Garrett  
 6,637,141 B1 10/2003 Weatherby  
 D514,123 S 1/2006 Naruki  
 D516,660 S 3/2006 Murello et al.  
 D516,807 S 3/2006 Richardson  
 D517,637 S 3/2006 Murello  
 7,162,823 B2 1/2007 Schoppman  
 D551,313 S 9/2007 Saur  
 D589,578 S 3/2009 Choma  
 D603,013 S 10/2009 Fitzpatrick  
 D606,614 S 12/2009 Fitzpatrick  
 7,647,719 B2 \* 1/2010 Fitzpatrick et al. .... 42/71.01  
 D636,833 S 4/2011 Mayberry  
 D636,834 S 4/2011 Mayberry  
 D639,891 S \* 6/2011 Chvala ..... D22/108  
 D640,342 S \* 6/2011 Fitzpatrick et al. .... D22/108  
 D645,110 S \* 9/2011 Cook et al. .... D22/108  
 D645,533 S 9/2011 Peterson  
 D648,412 S \* 11/2011 Cook et al. .... D22/108  
 D661,366 S 6/2012 Zusman  
 D661,768 S 6/2012 Keng

D680,611 S 4/2013 Emde  
 D683,808 S 6/2013 Elkaim  
 2007/0130817 A1 6/2007 Ballard  
 2008/0028662 A1 2/2008 Abraham  
 2008/0052979 A1 3/2008 Lee  
 2008/0168695 A1 7/2008 Nakayama  
 2008/0236016 A1 10/2008 Fitzpatrick  
 2008/0236017 A1 10/2008 Fitzpatrick  
 2009/0241397 A1 10/2009 Fitzpatrick  
 2010/0205846 A1 8/2010 Fitzpatrick et al.  
 2010/0251590 A1 10/2010 Fitzpatrick  
 2012/0073177 A1 \* 3/2012 Laney et al. .... 42/16

OTHER PUBLICATIONS

Heckler & Koch Online Catalog (2008) PSG1A1 Product Information.  
 Magpul Online Catalog (2007) FAL Preproduction Product Information.  
 Magpul Online Catalog (2007) PRS Ar15/M16 Product Information.  
 Design U.S. Appl. No. 29/399,326, filed Aug. 12, 2011, "ACS Rifle Stock" by Fitzpatrick.  
 Design U.S. Appl. No. 29/405,857, filed Nov. 7, 2011, "STR Stock" by Fitzpatrick.

\* cited by examiner

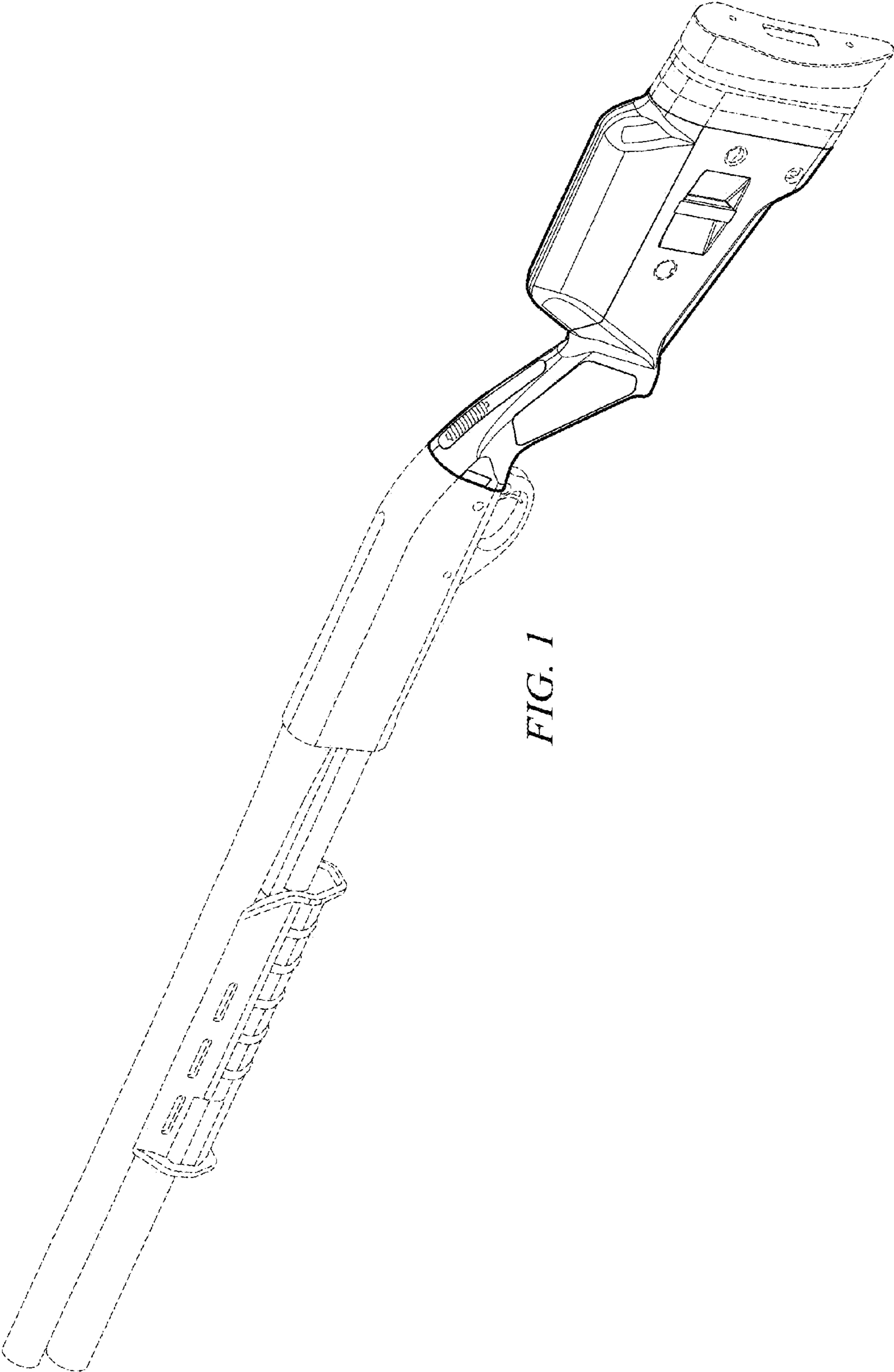


FIG. 1

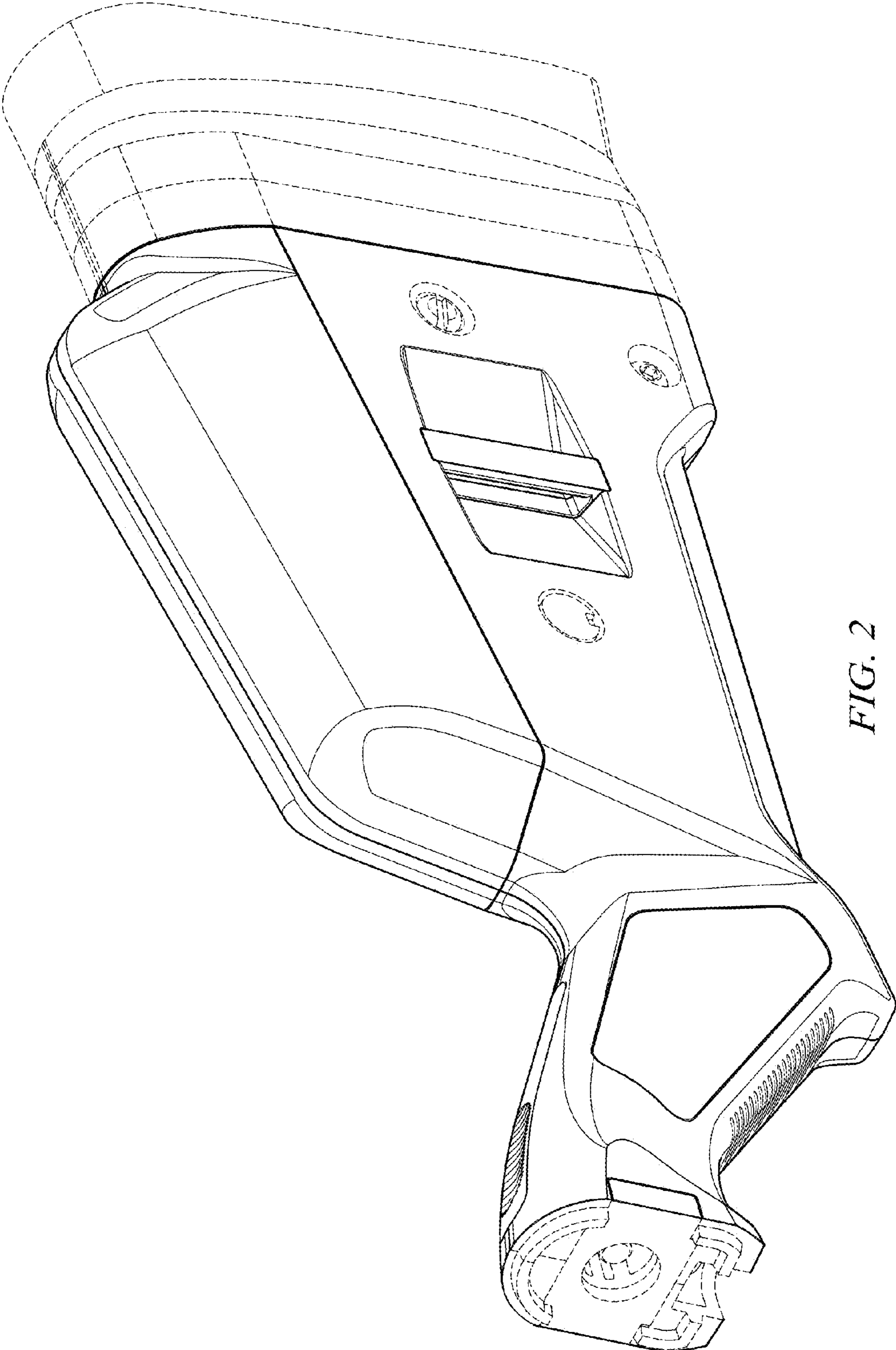


FIG. 2

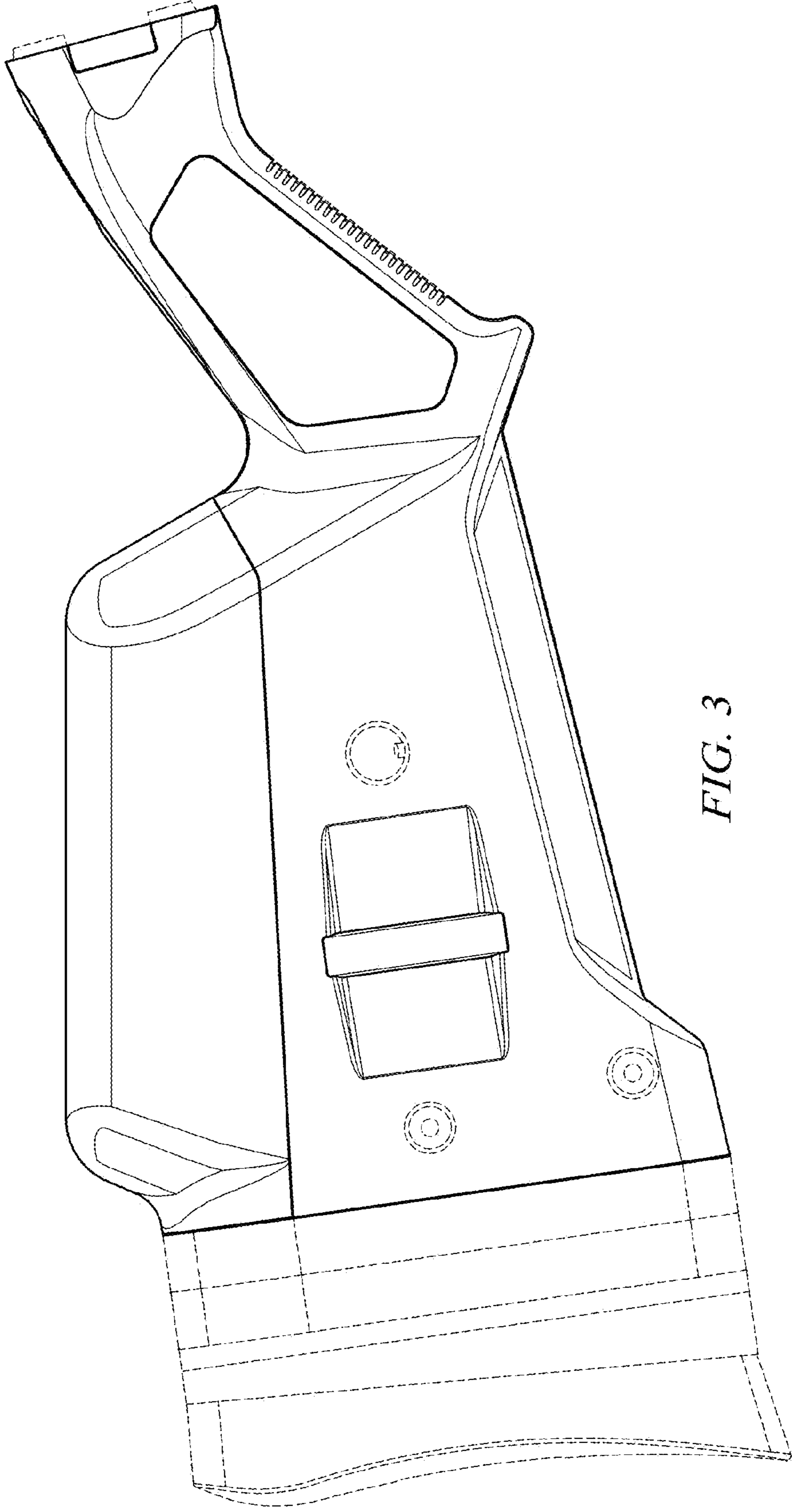


FIG. 3

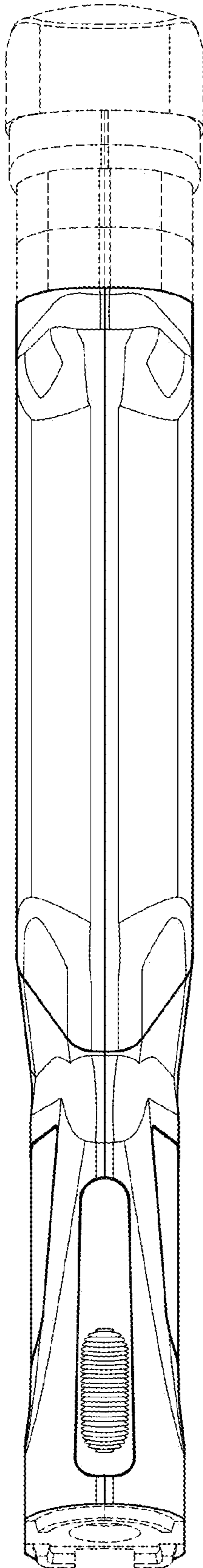


FIG. 4

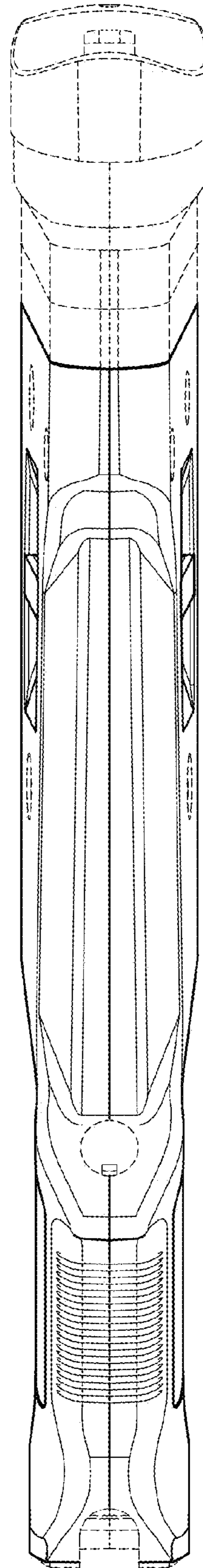
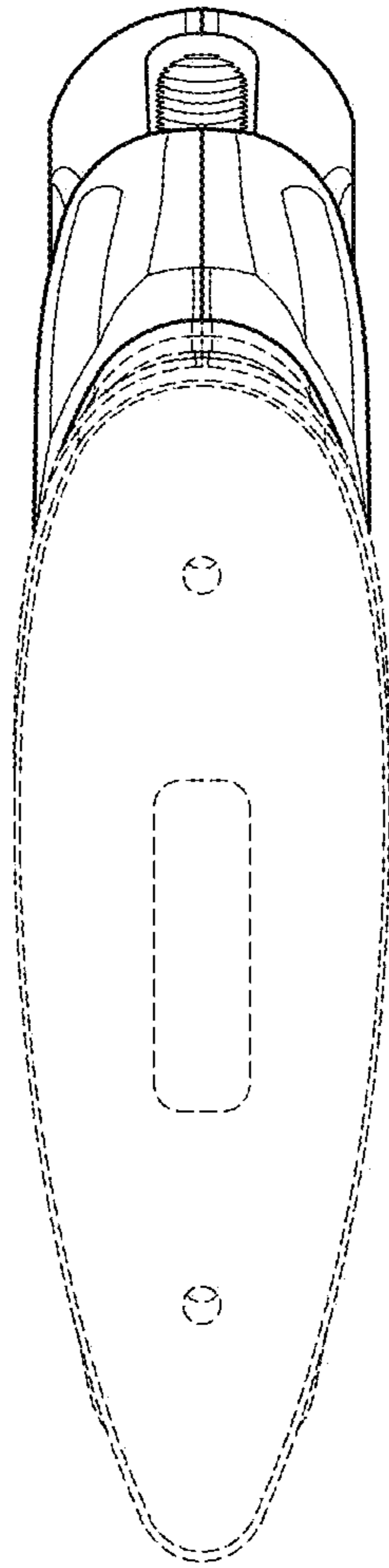
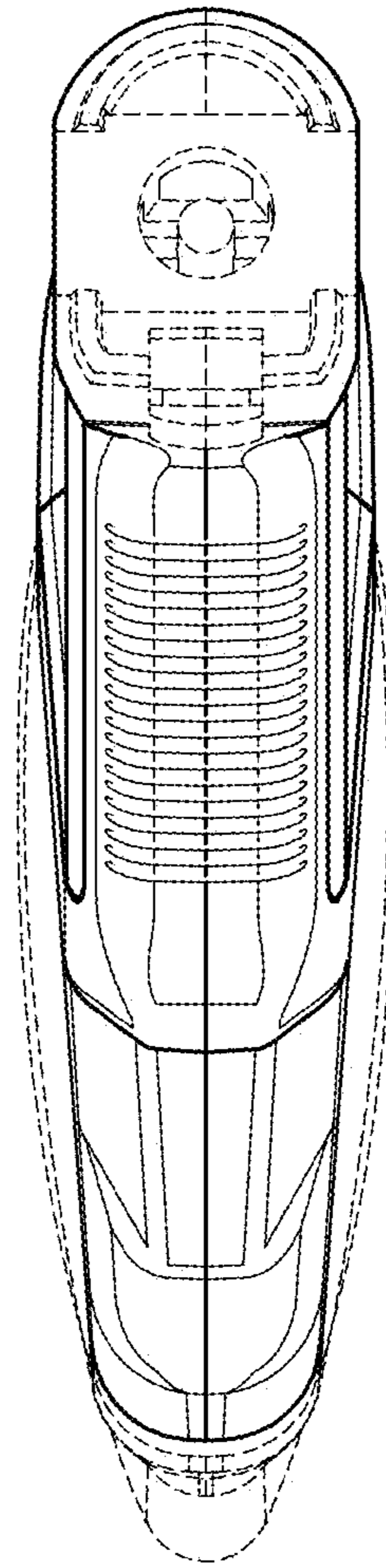


FIG. 5



*FIG. 6*



*FIG. 7*