



US00D695375S

(12) **United States Design Patent**  
**Jin**

(10) **Patent No.:** **US D695,375 S**

(45) **Date of Patent:** **\*\* Dec. 10, 2013**

(54) **TENT**

(71) Applicant: **Ki Ho Jin**, Xiamen (CN)

(72) Inventor: **Ki Ho Jin**, Xiamen (CN)

(\*\*) Term: **14 Years**

(21) Appl. No.: **29/449,522**

(22) Filed: **Mar. 15, 2013**

(51) **LOC (9) Cl.** ..... **21-04**

(52) **U.S. Cl.**

USPC ..... **D21/834**

(58) **Field of Classification Search**

USPC ..... D21/834, 836-839; D25/13, 16, 17, 18,  
D25/20, 26, 32, 56, 57; 135/87, 90, 93, 94,  
135/96-99, 115, 117, 121, 124-128, 133,  
135/135, 138, 143, 157, 900, 908;  
296/159-161

See application file for complete search history.

(56) **References Cited**

**U.S. PATENT DOCUMENTS**

2,810,390	A	*	10/1957	Wallace et al.	.....	135/160
D208,748	S	*	9/1967	Kirkham	.....	D21/839
D222,204	S	*	10/1971	Perry	.....	D21/834
D331,441	S	*	12/1992	Choi	.....	D21/838
D332,986	S	*	2/1993	Choi	.....	D21/838
D358,191	S	*	5/1995	November	.....	D21/834

D370,149	S	*	5/1996	Stratton	.....	D6/610
D444,840	S	*	7/2001	Glover et al.	.....	D21/834
D534,614	S	*	1/2007	Gallaway et al.	.....	D21/834

\* cited by examiner

*Primary Examiner* — Cynthia M Chin

(74) *Attorney, Agent, or Firm* — John H. Choi

(57) **CLAIM**

The ornamental design for a tent, as shown and described.

**DESCRIPTION**

FIG. 1 is a perspective view of a tent showing my new design;

FIG. 2 is a front view thereof;

FIG. 3 is a rear view thereof;

FIG. 4 is a left side view thereof, the right side view thereof being a mirror image of that which is shown;

FIG. 5 is a top view thereof;

FIG. 6 is a bottom view thereof;

FIG. 7 is a perspective view with the fly removed;

FIG. 8 is a front view with the fly removed;

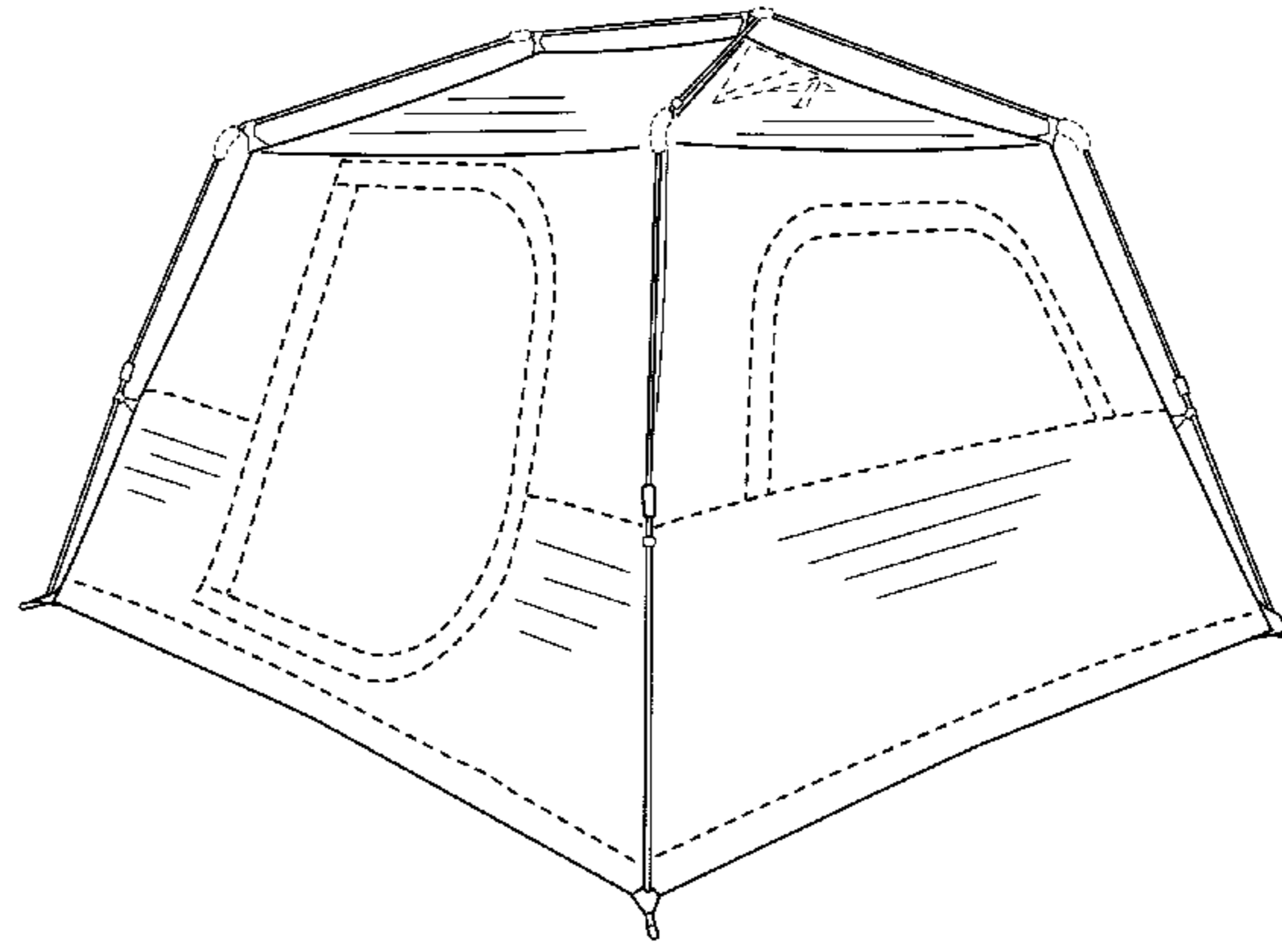
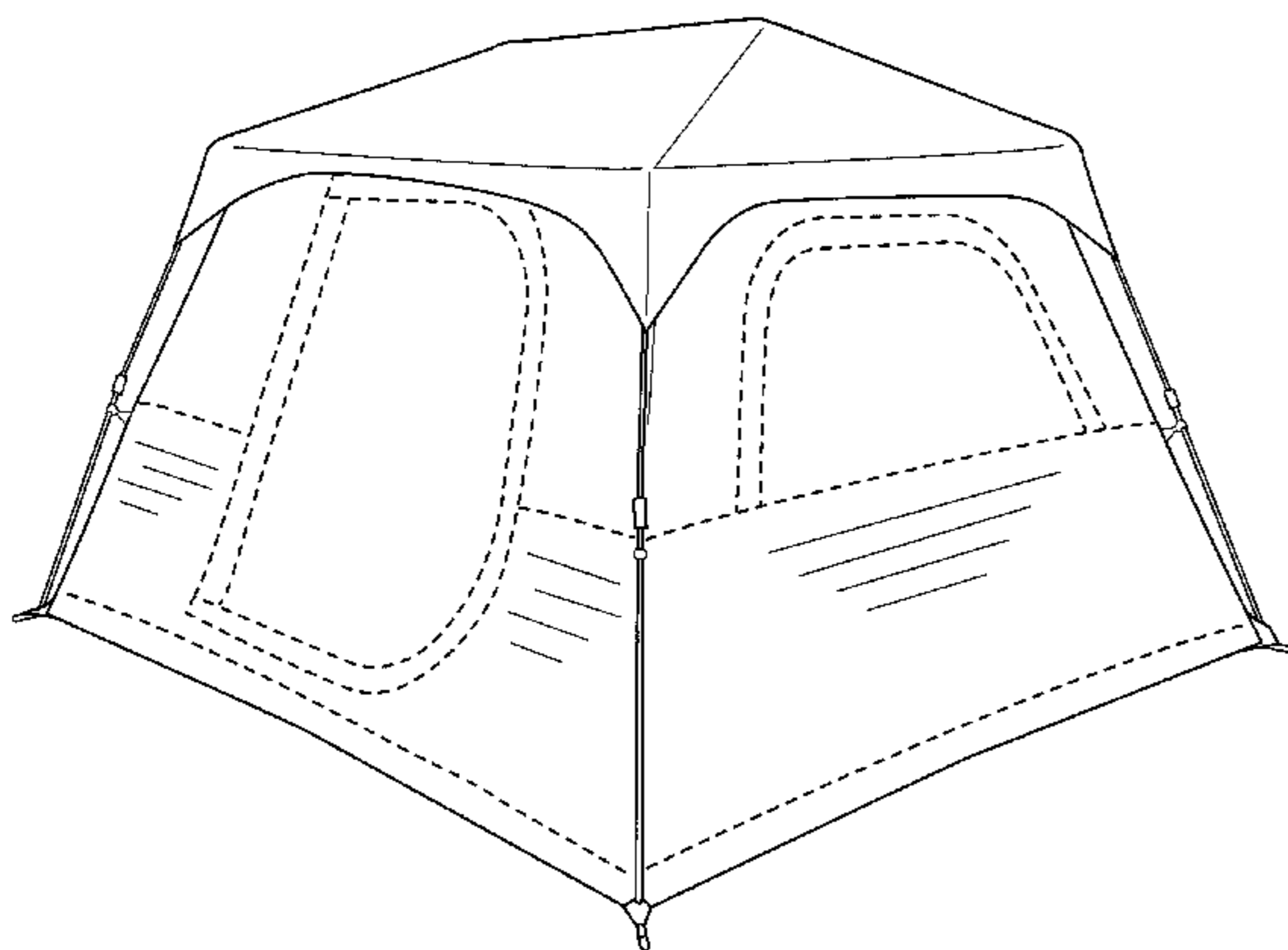
FIG. 9 is a rear view with the fly removed;

FIG. 10 is a left side view with the fly removed, the right side view thereof being a mirror image of that which is shown; and,

FIG. 11 is a top view with the fly removed.

The features shown in broken lines depict environmental or other associated subject matter and form no part of the claimed design.

**1 Claim, 11 Drawing Sheets**



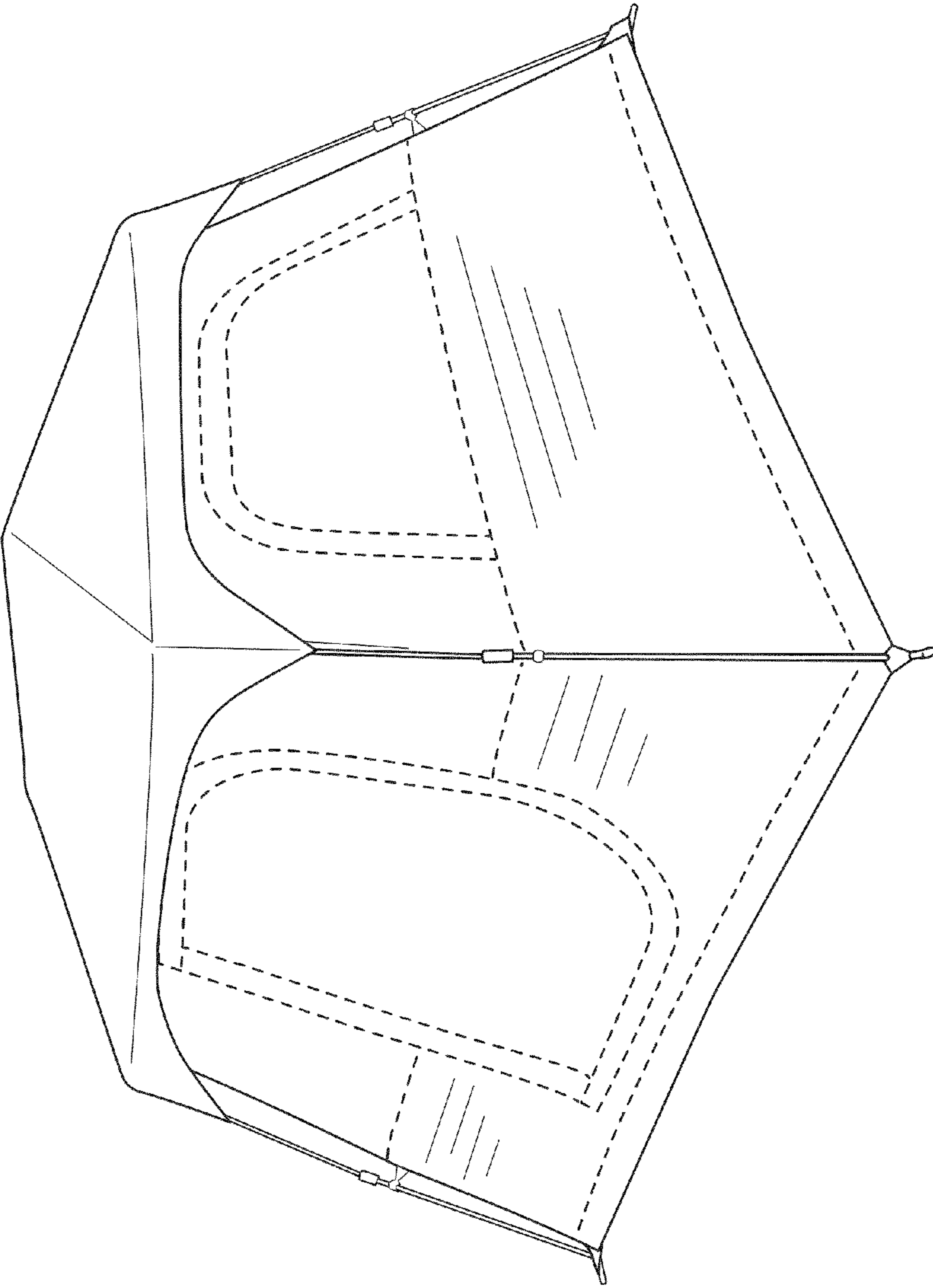


FIG. 1

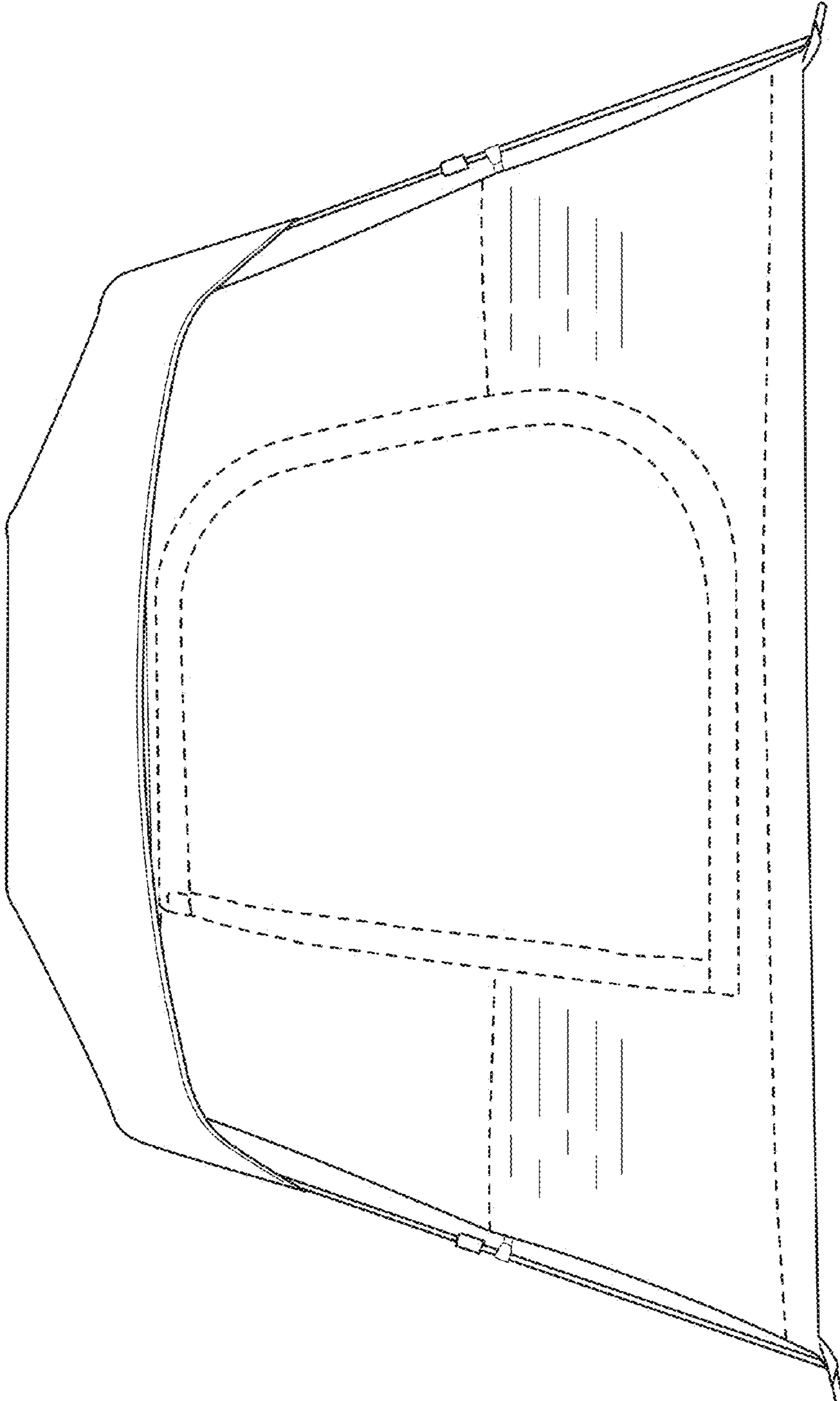


FIG. 2

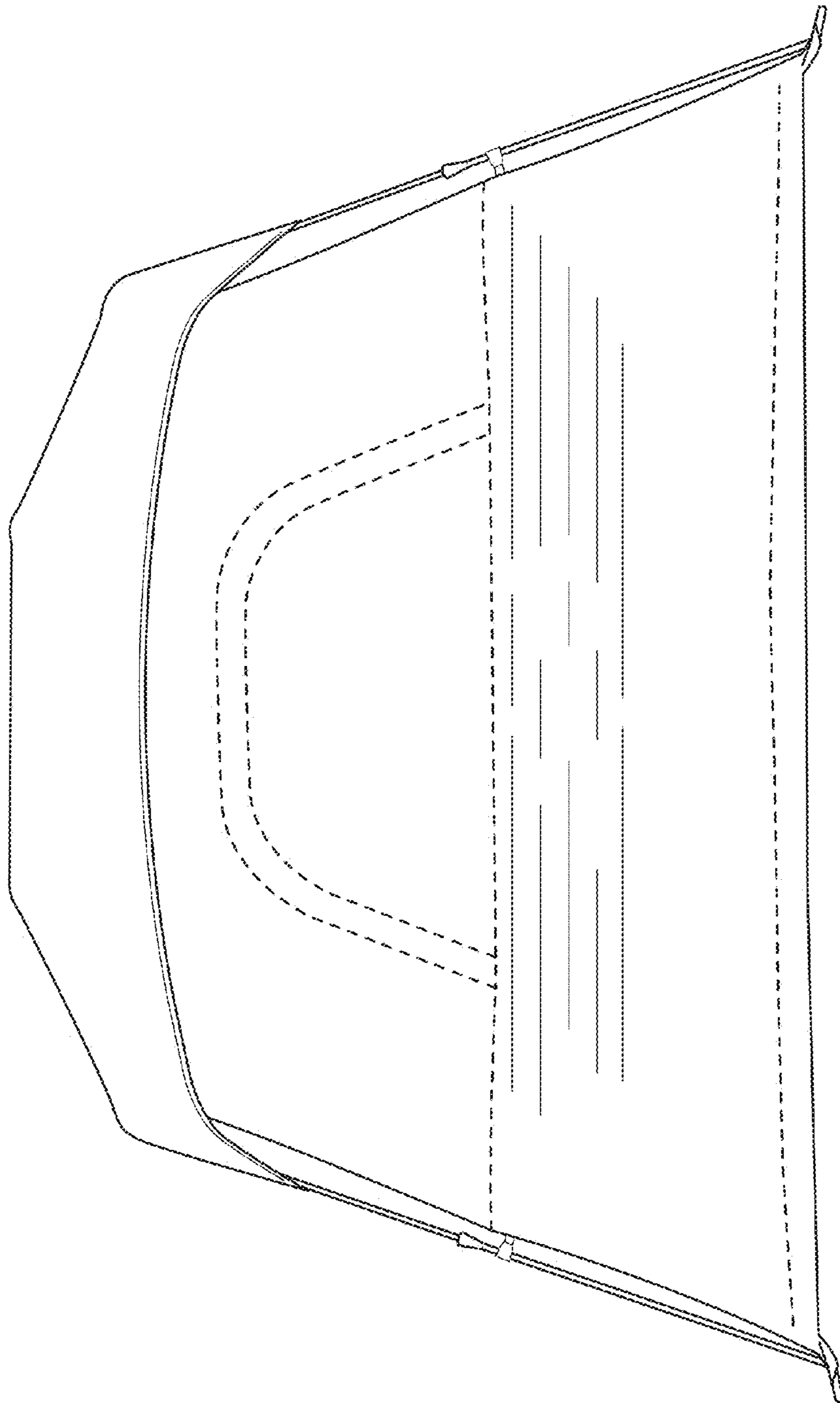


FIG. 3

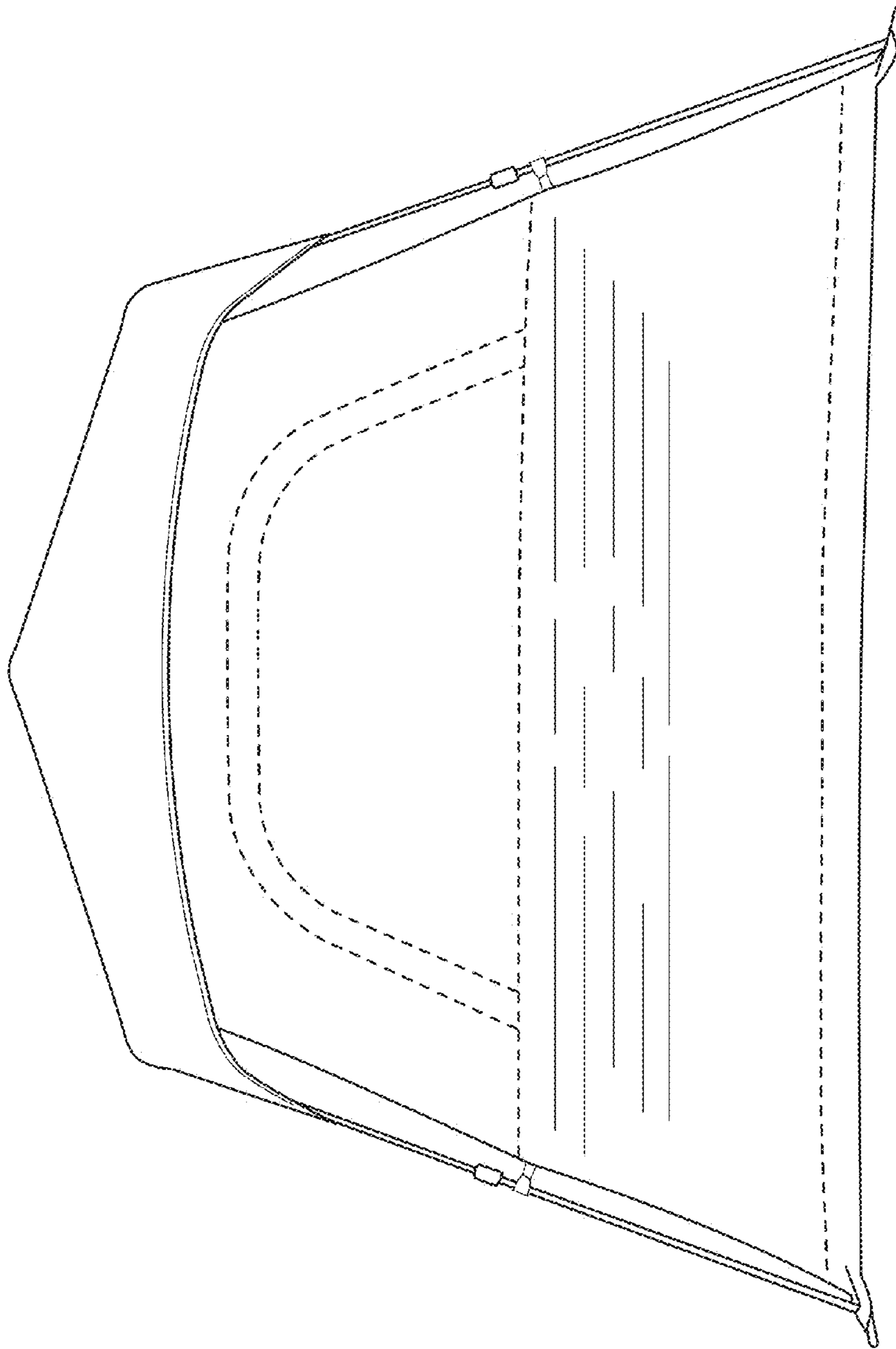


FIG. 4

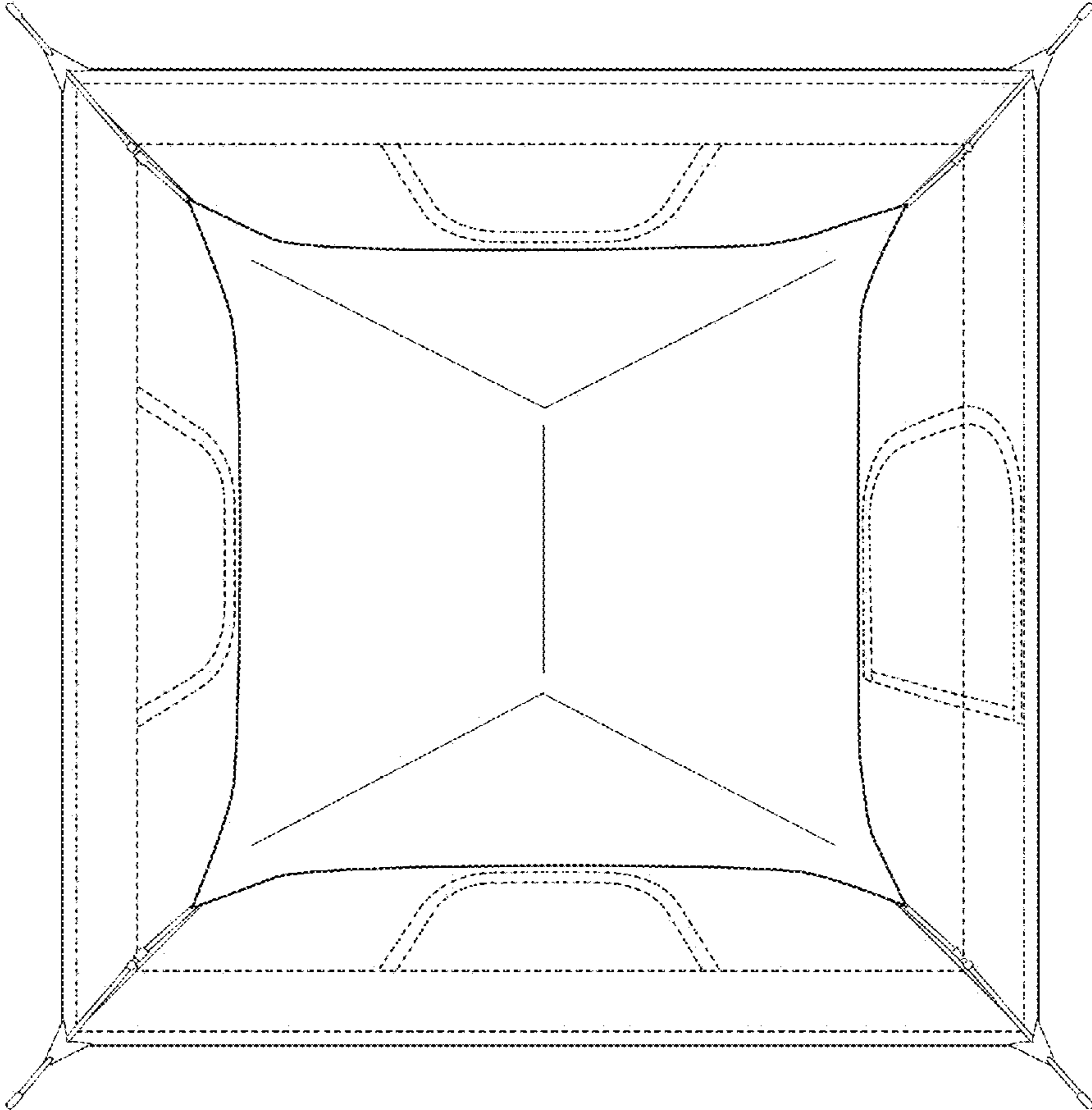


FIG. 5

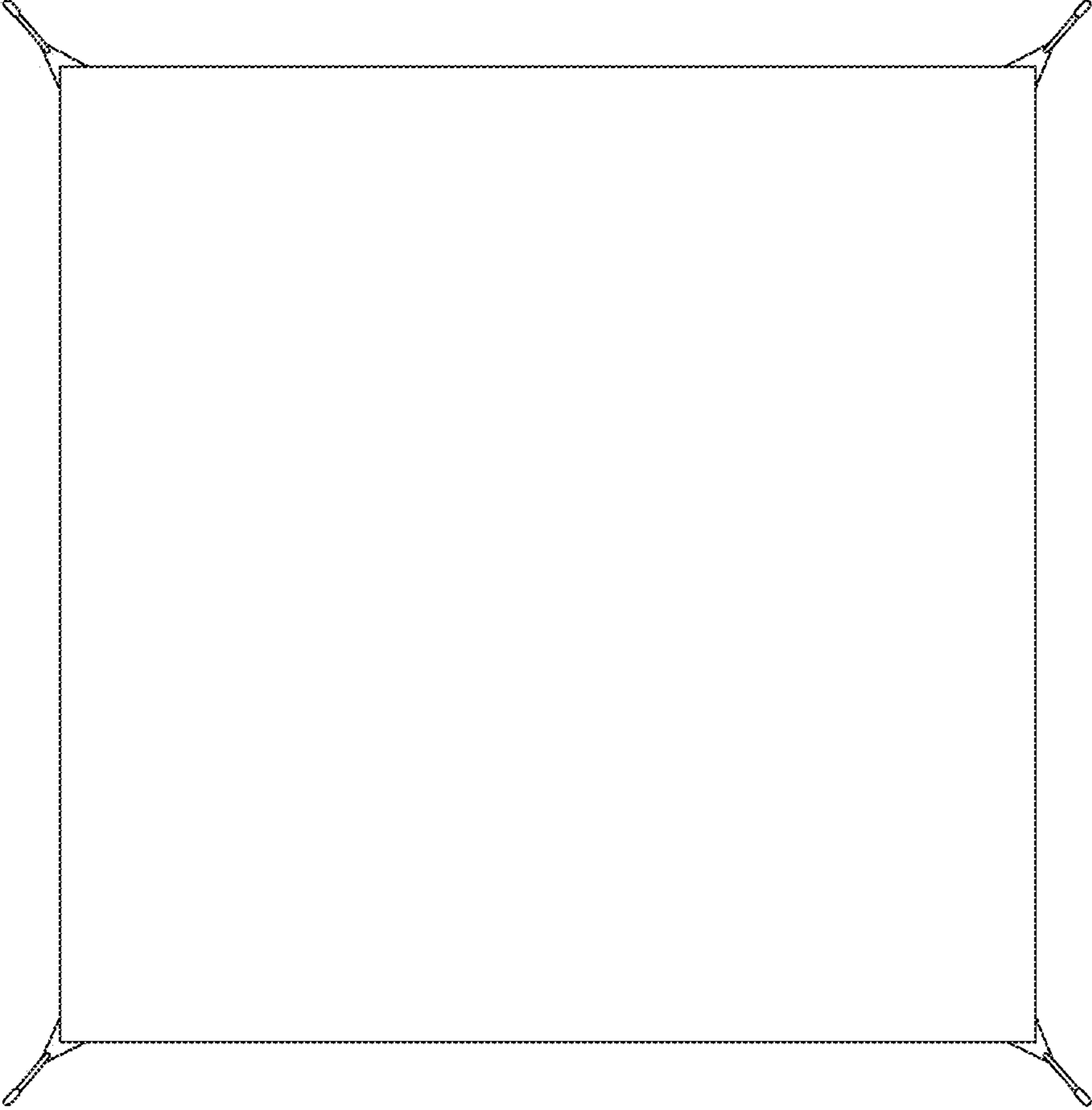


FIG. 6

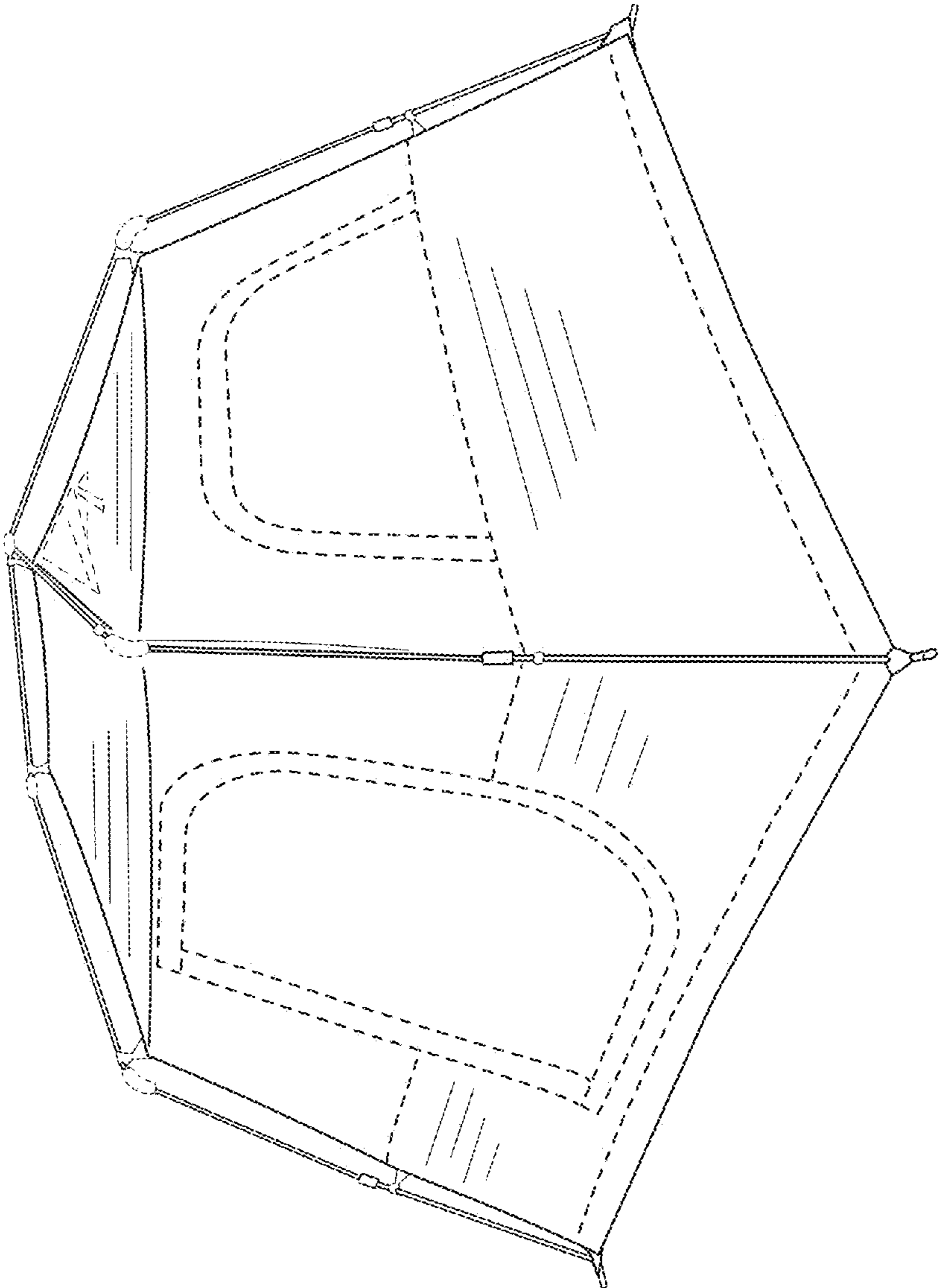


FIG. 7



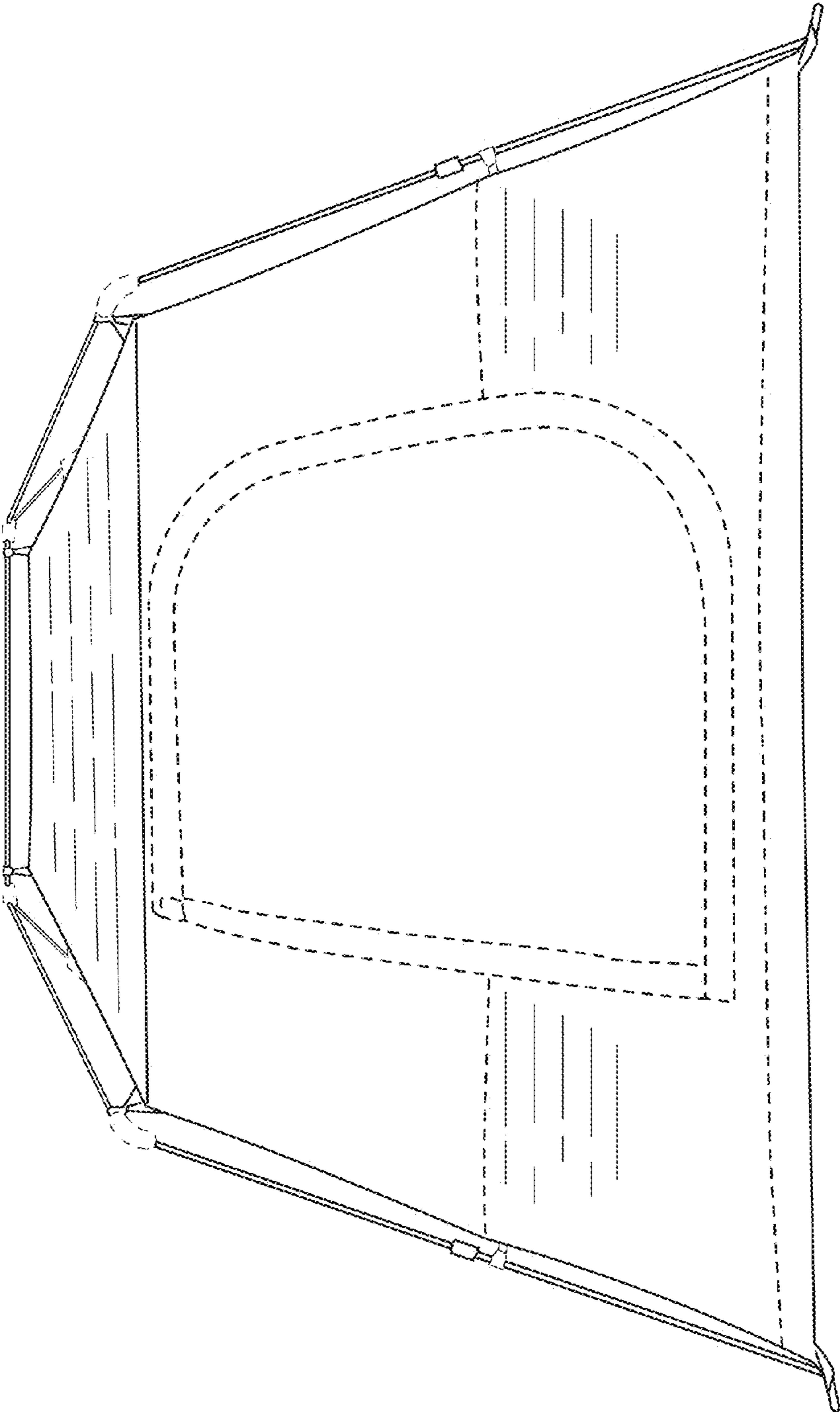


FIG. 8

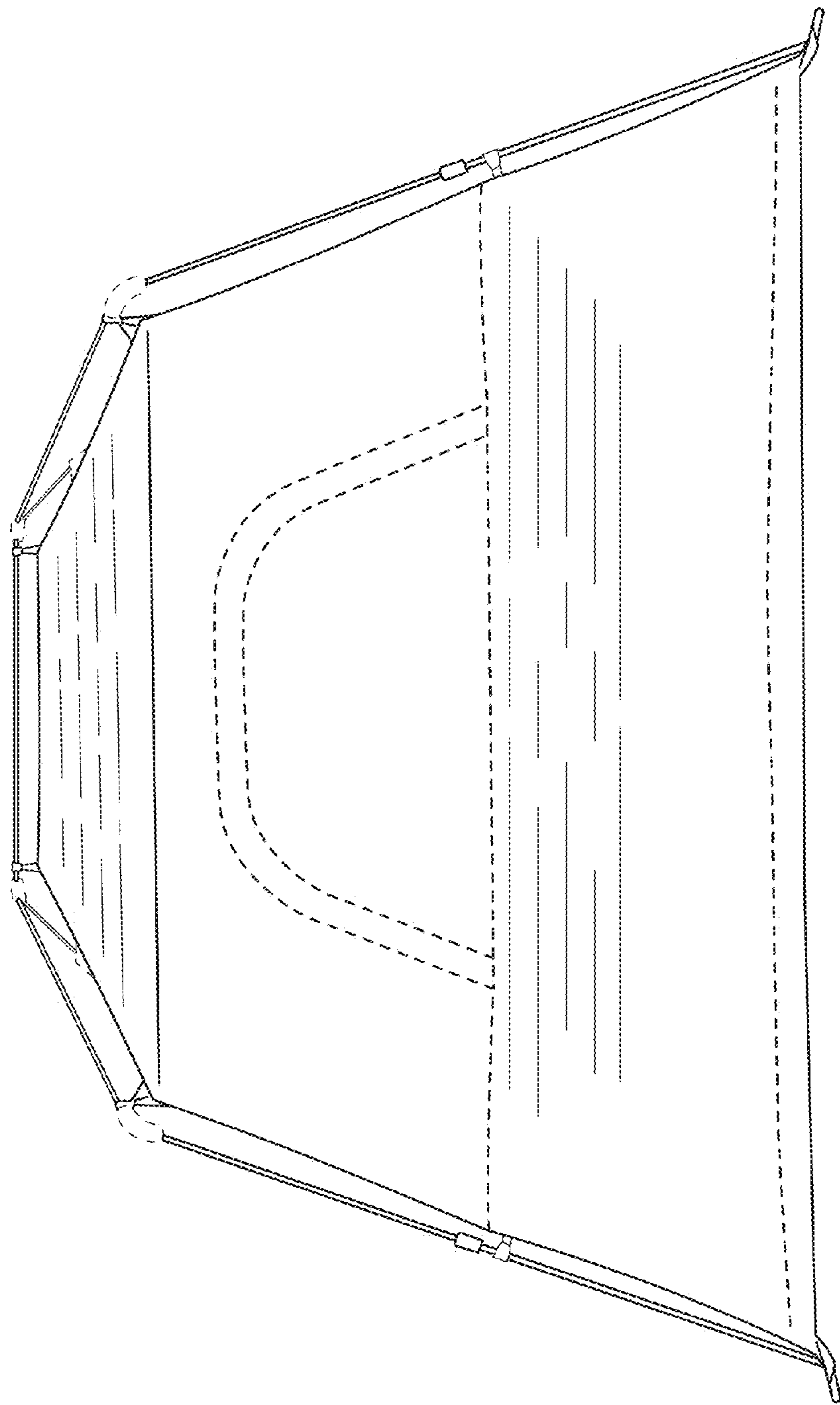


FIG. 9

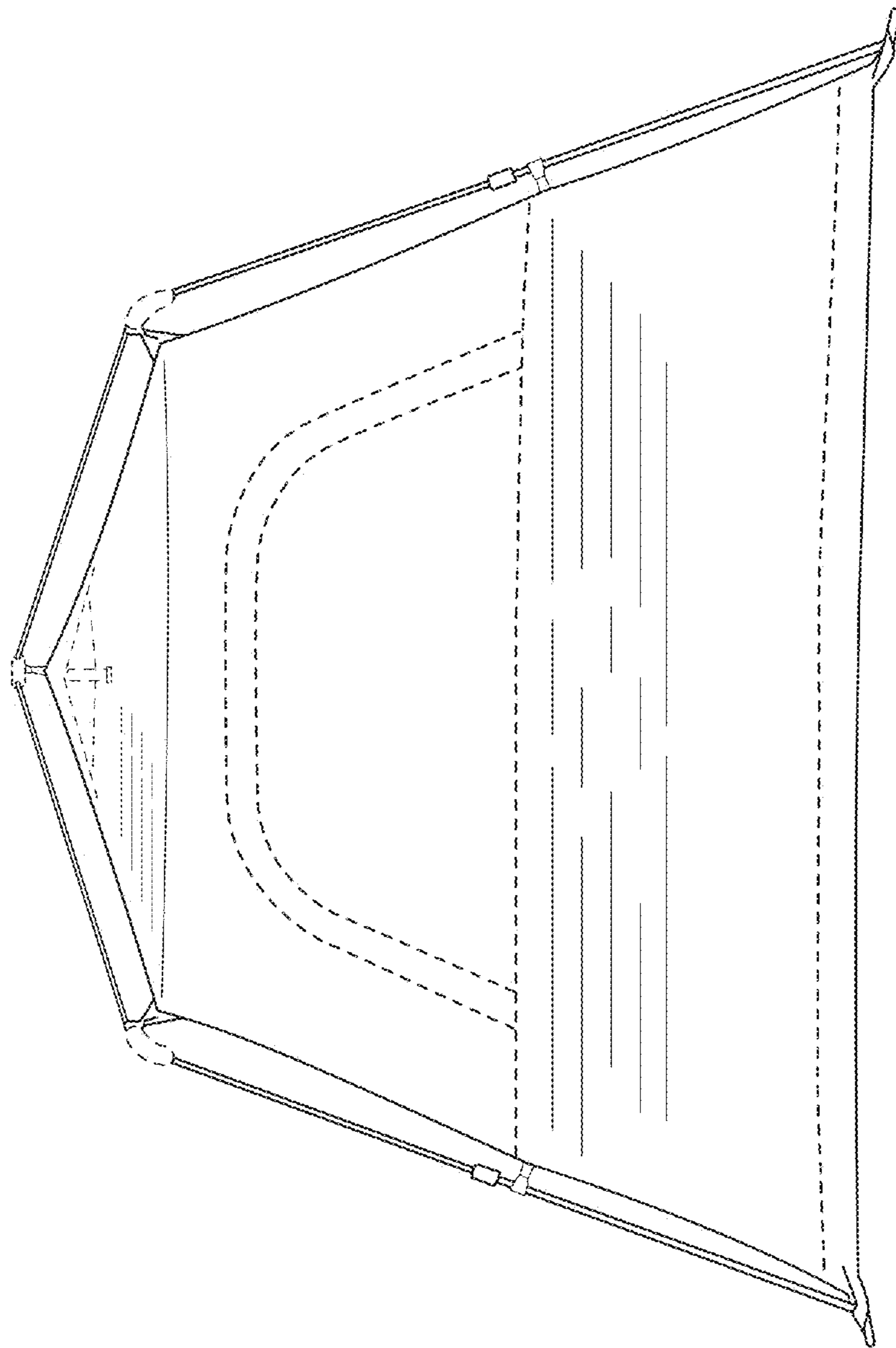


FIG. 10

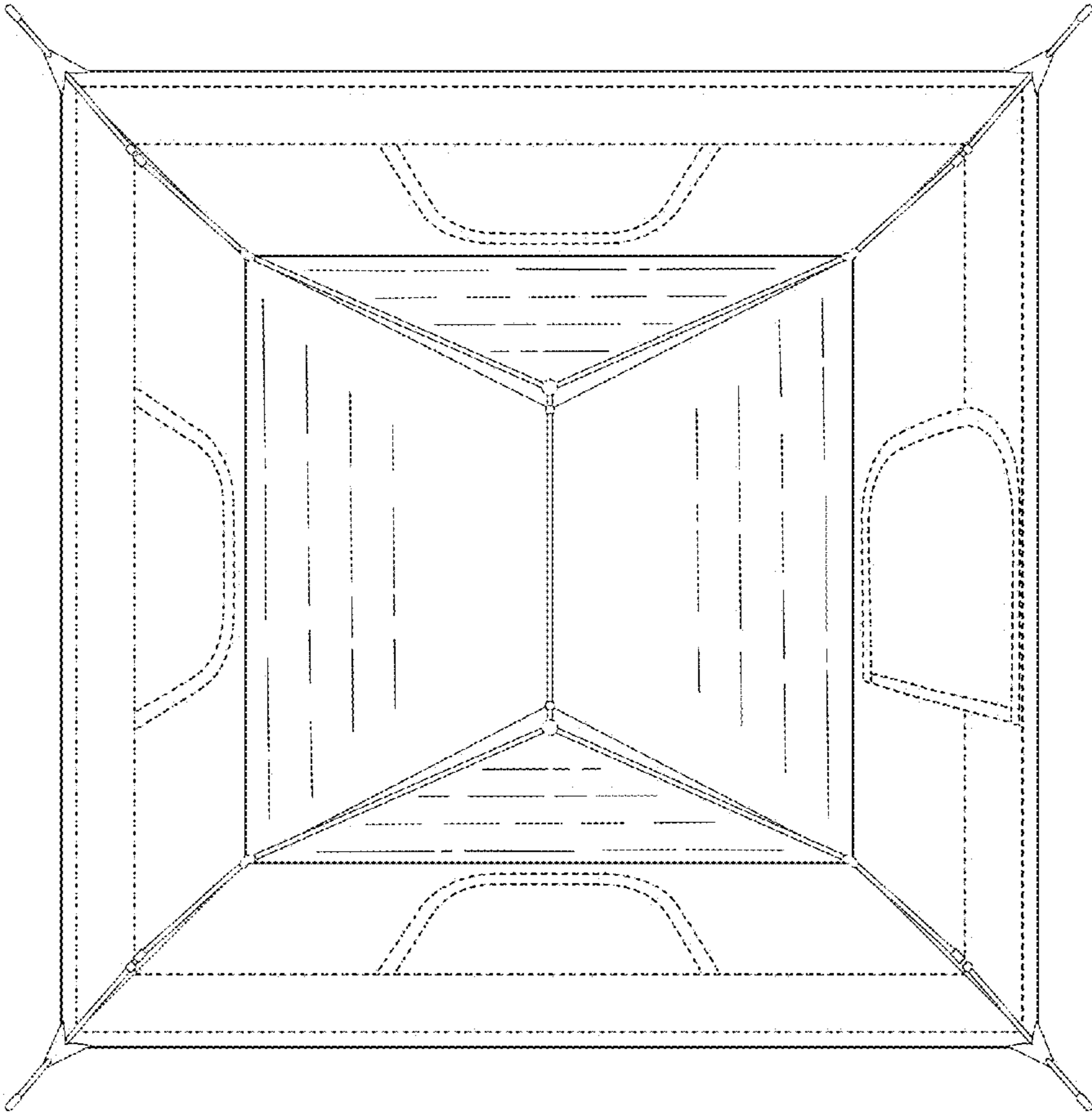


FIG. 11