



US00D695373S

(12) **United States Design Patent**  
**Nesbitt**

(10) **Patent No.:** **US D695,373 S**

(45) **Date of Patent:** **\*\* Dec. 10, 2013**

(54) **BOWLING BALL FINGER INSERT**

(71) Applicant: **James G. Nesbitt**, Stockton, CA (US)

(72) Inventor: **James G. Nesbitt**, Stockton, CA (US)

(\*\*) Term: **14 Years**

(21) Appl. No.: **29/436,603**

(22) Filed: **Nov. 7, 2012**

(51) **LOC (9) Cl.** ..... **21-01**

(52) **U.S. Cl.**  
USPC ..... **D21/785**

(58) **Field of Classification Search**  
USPC ..... D21/785, 786, 771, 385, 386;  
473/128-130, 54, 61  
See application file for complete search history.

(56) **References Cited**

**U.S. PATENT DOCUMENTS**

626,584 A	6/1899	Wilmerling	
2,273,199 A	2/1942	Hilton et al.	
2,482,190 A	9/1949	Kramer	
3,102,725 A *	9/1963	Jarus	473/130
3,784,198 A	1/1974	Bach	
4,623,149 A *	11/1986	Herman	473/130
4,890,836 A *	1/1990	Goldie	473/128
5,536,212 A *	7/1996	Tryon	473/129
5,584,767 A *	12/1996	Picchiatti et al.	473/130
5,738,592 A	4/1998	Saunders	

6,126,553 A	10/2000	Lakusiewicz	
7,048,636 B1	5/2006	Sill	
7,074,130 B2 *	7/2006	Haisley	473/129
7,258,620 B1 *	8/2007	Willman	473/129
7,762,903 B2	7/2010	Bernhardt	

\* cited by examiner

*Primary Examiner* — Prabhakar Deshmukh

(74) *Attorney, Agent, or Firm* — R. Michael West

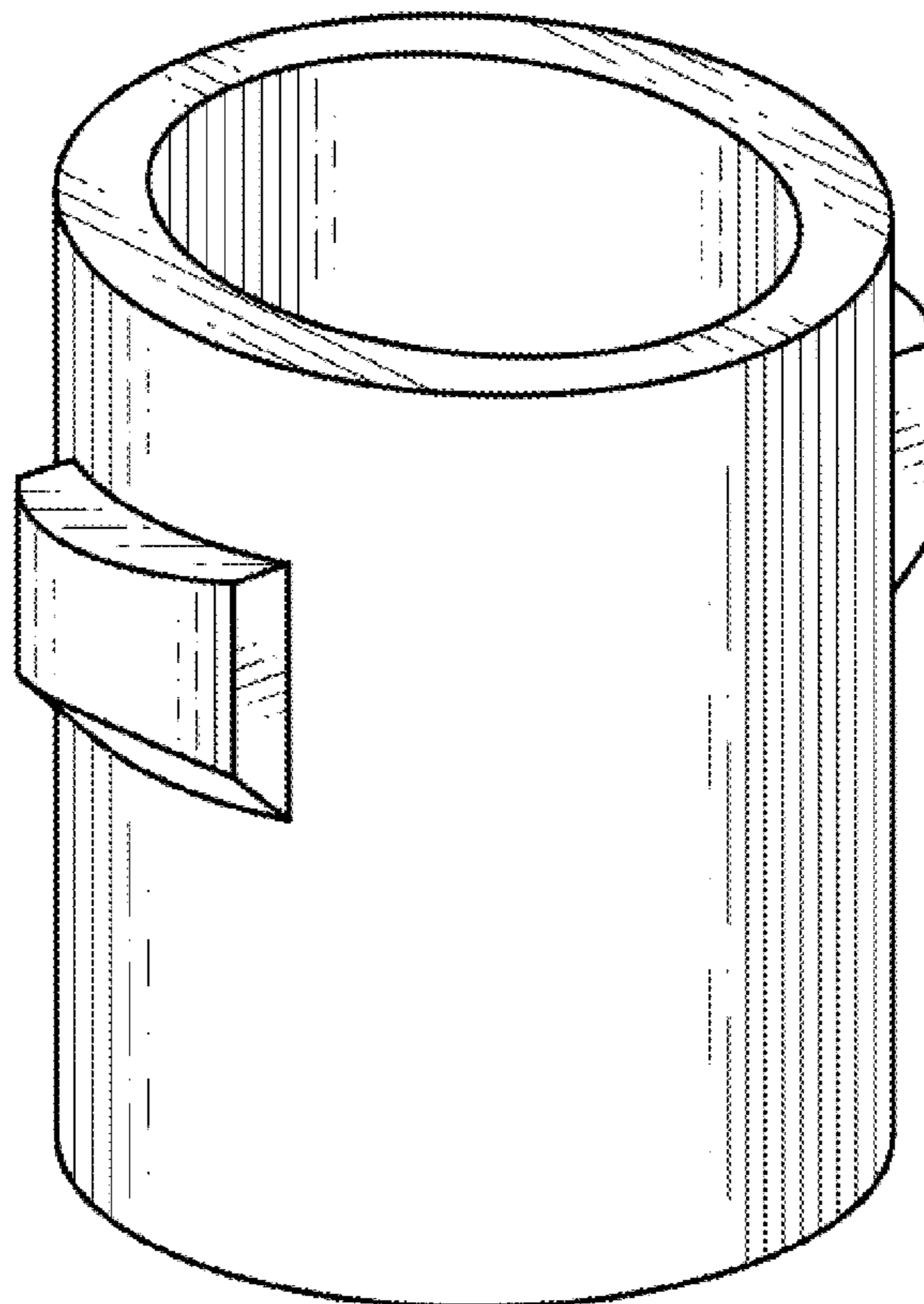
(57) **CLAIM**

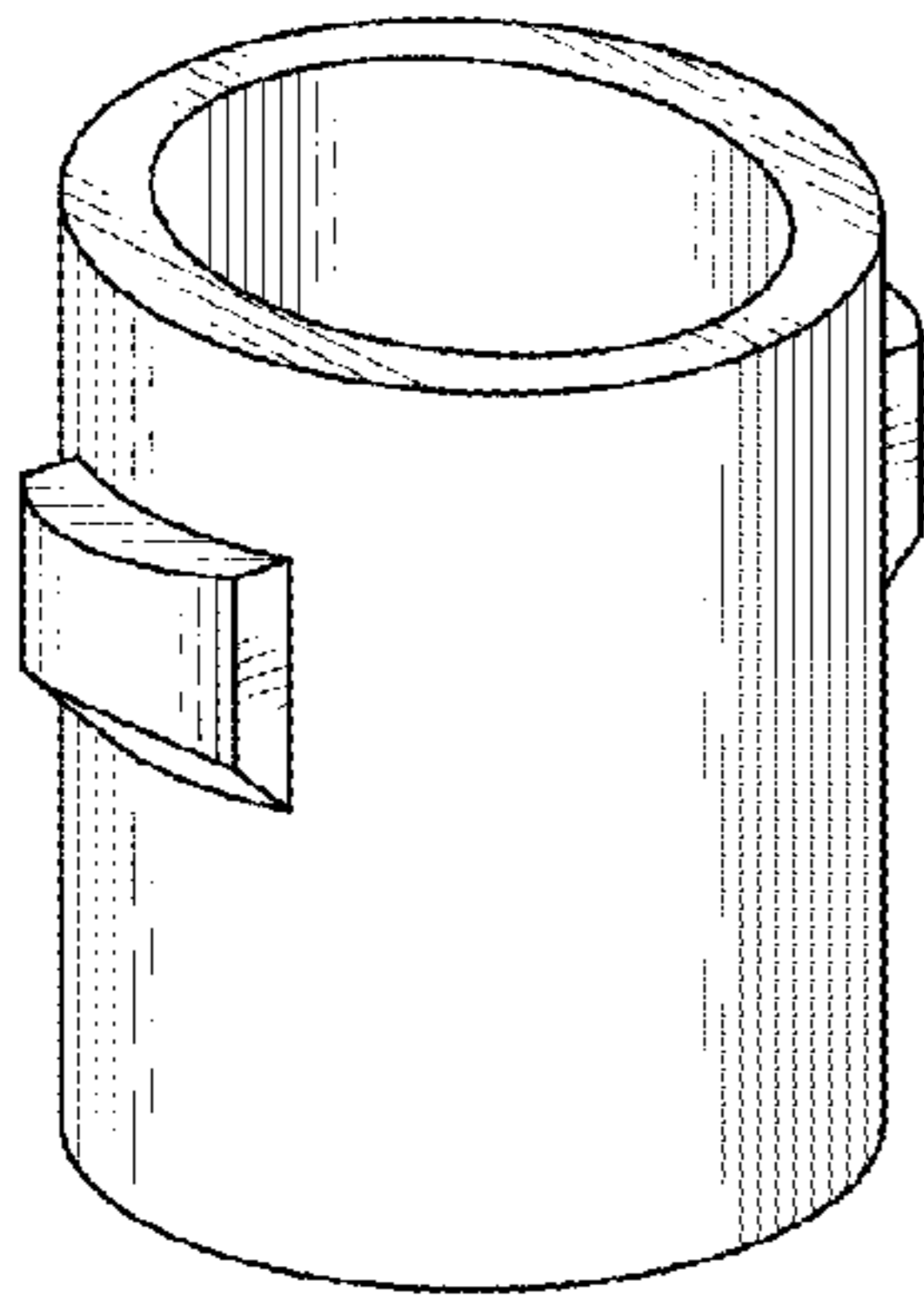
The ornamental design for a bowling ball finger insert, as shown and described.

**DESCRIPTION**

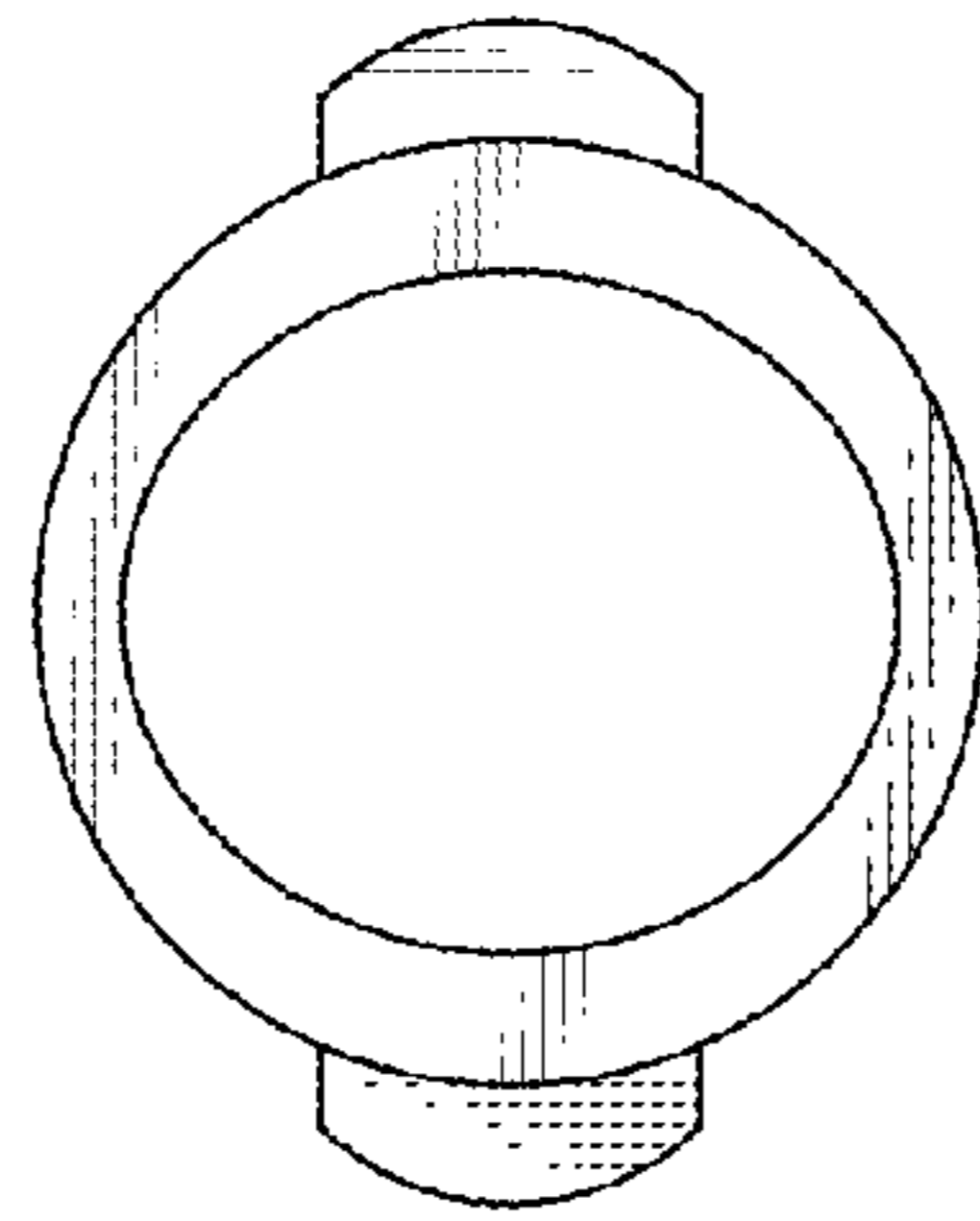
FIG. 1 is a right front perspective of a bowling ball finger insert, showing my new design;  
FIG. 2 is a top plan view, thereof;  
FIG. 3 is a bottom plan view, thereof;  
FIG. 4 is a front elevational view, thereof;  
FIG. 5 is a side elevational view, the opposite side elevational view being a mirror image, thereof;  
FIG. 6 is a rear elevational view, thereof; and,  
FIG. 7 is a perspective view, thereof, in the environmental of its use being installed into a bore in a bowling ball, the broken line representations of a portion of a bowling ball and a second installed insert being included solely for illustrative purposes, forming no part of the claimed design.

**1 Claim, 1 Drawing Sheet**

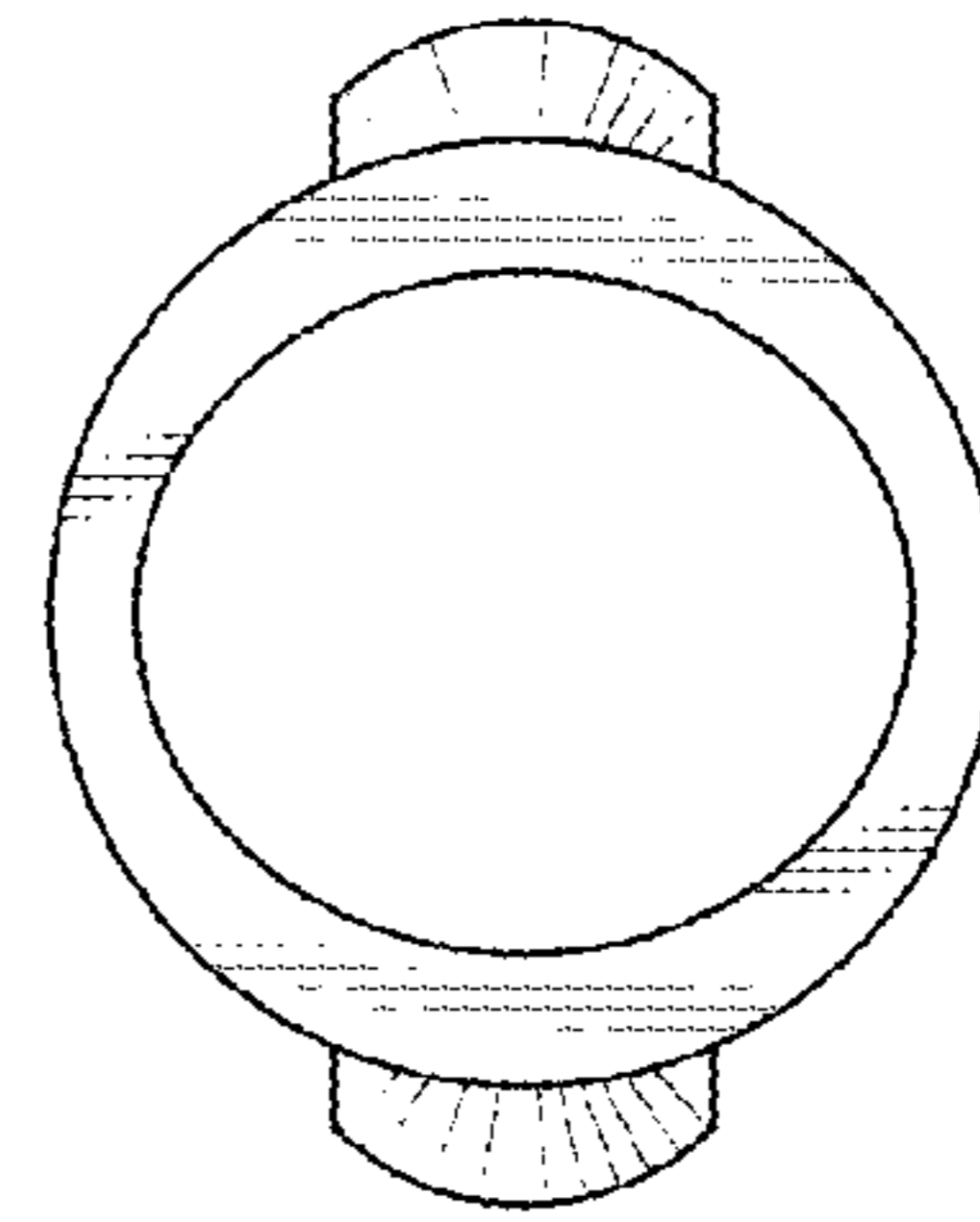




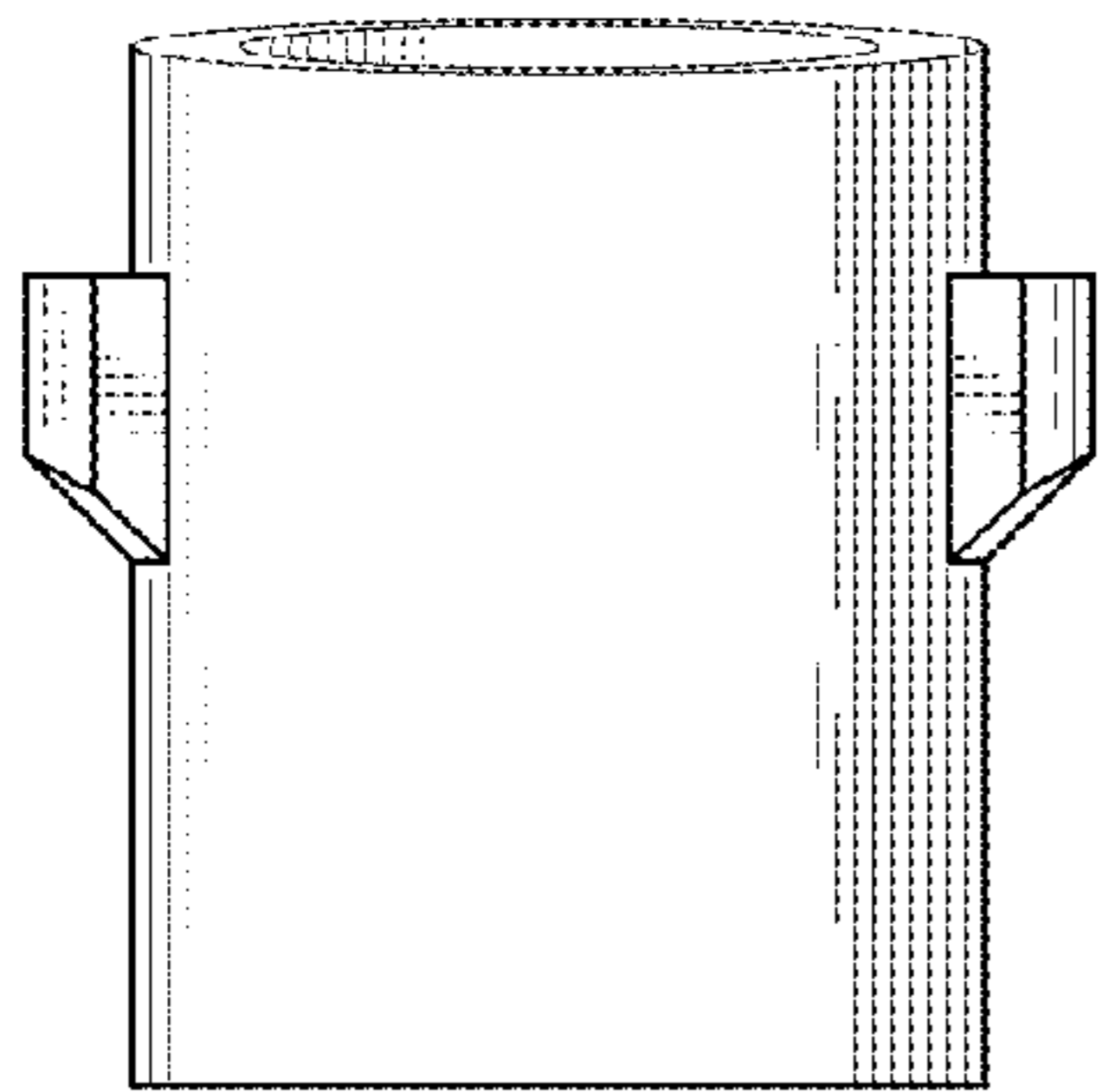
*Fig. 1*



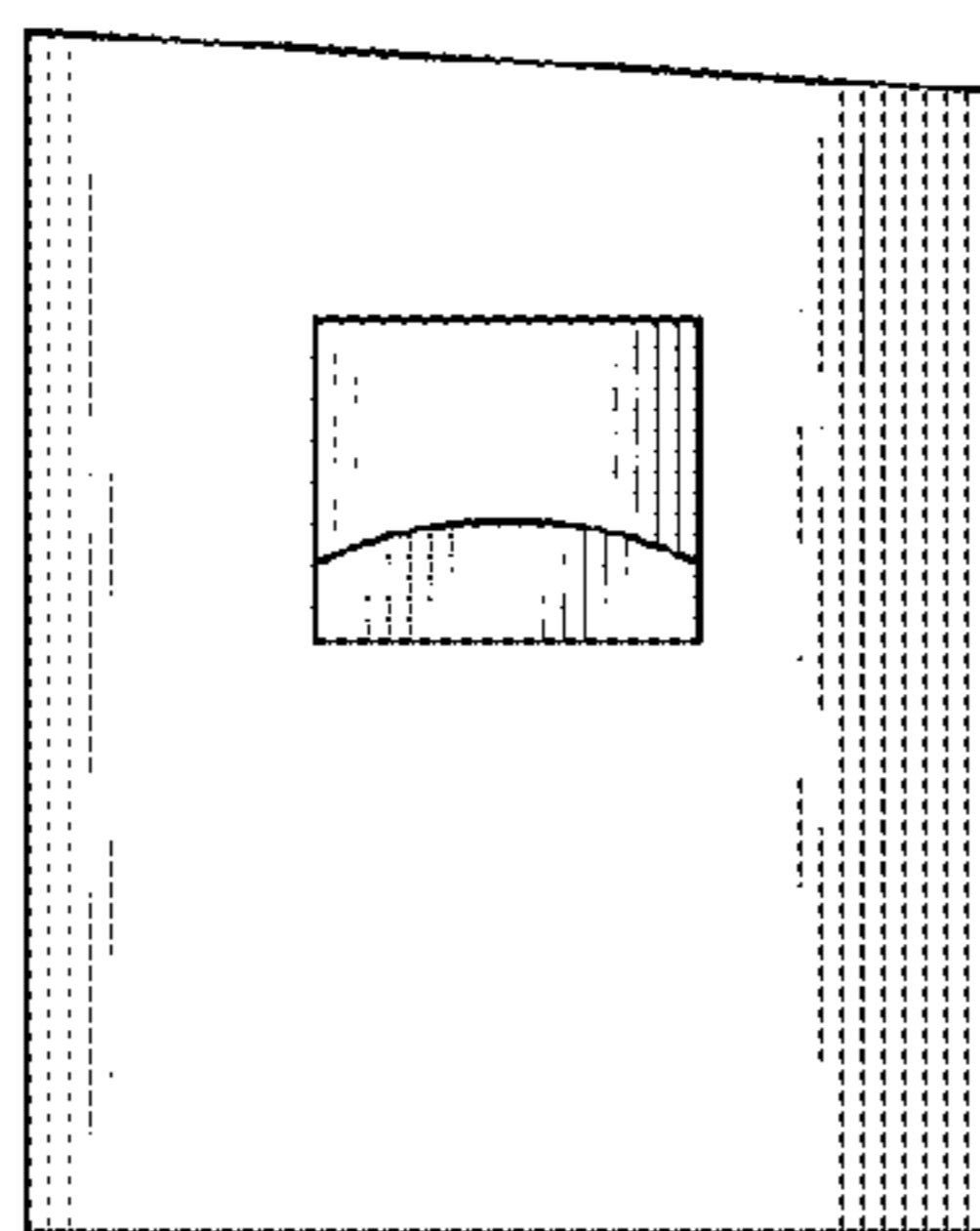
*Fig. 2*



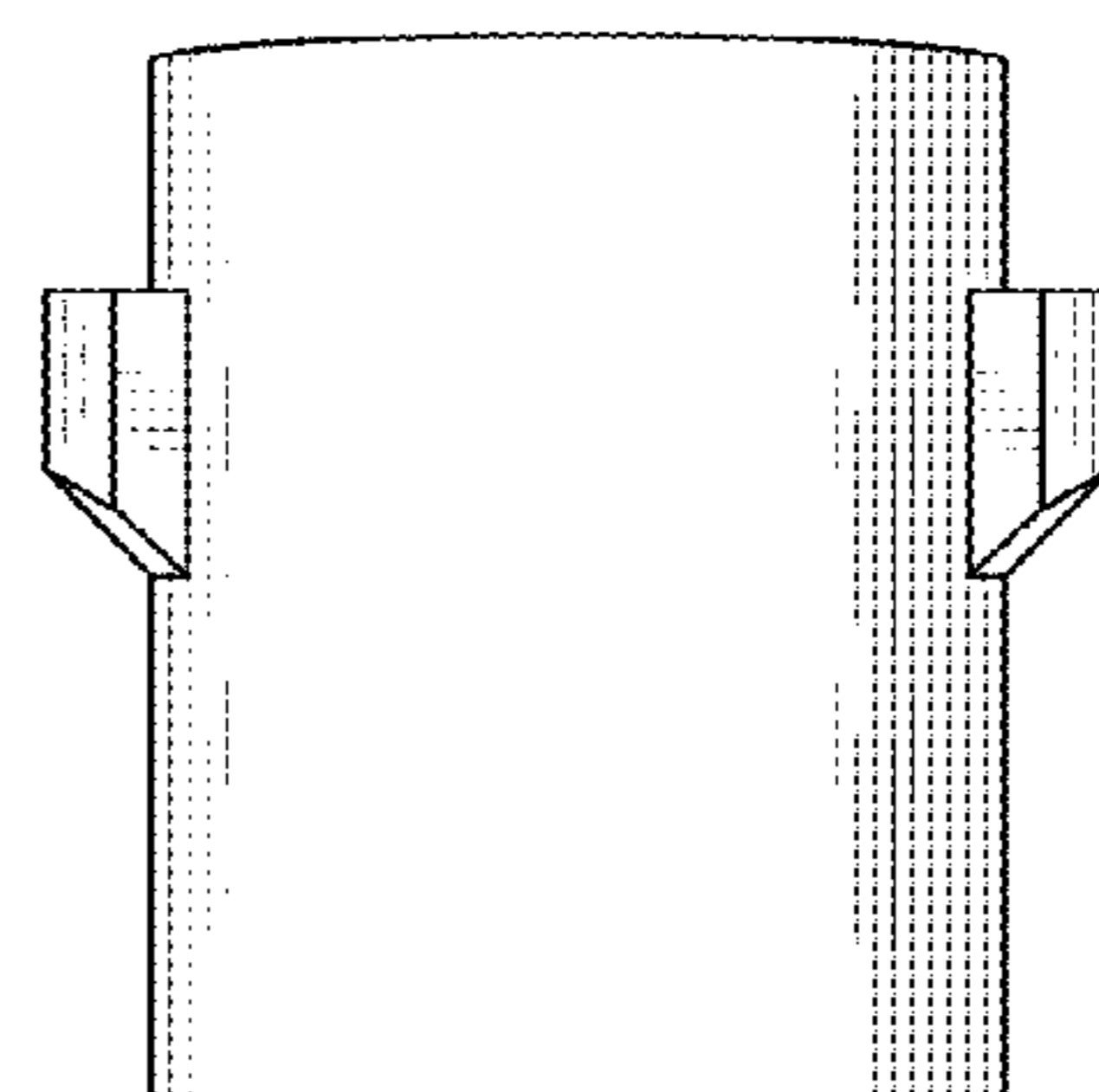
*Fig. 3*



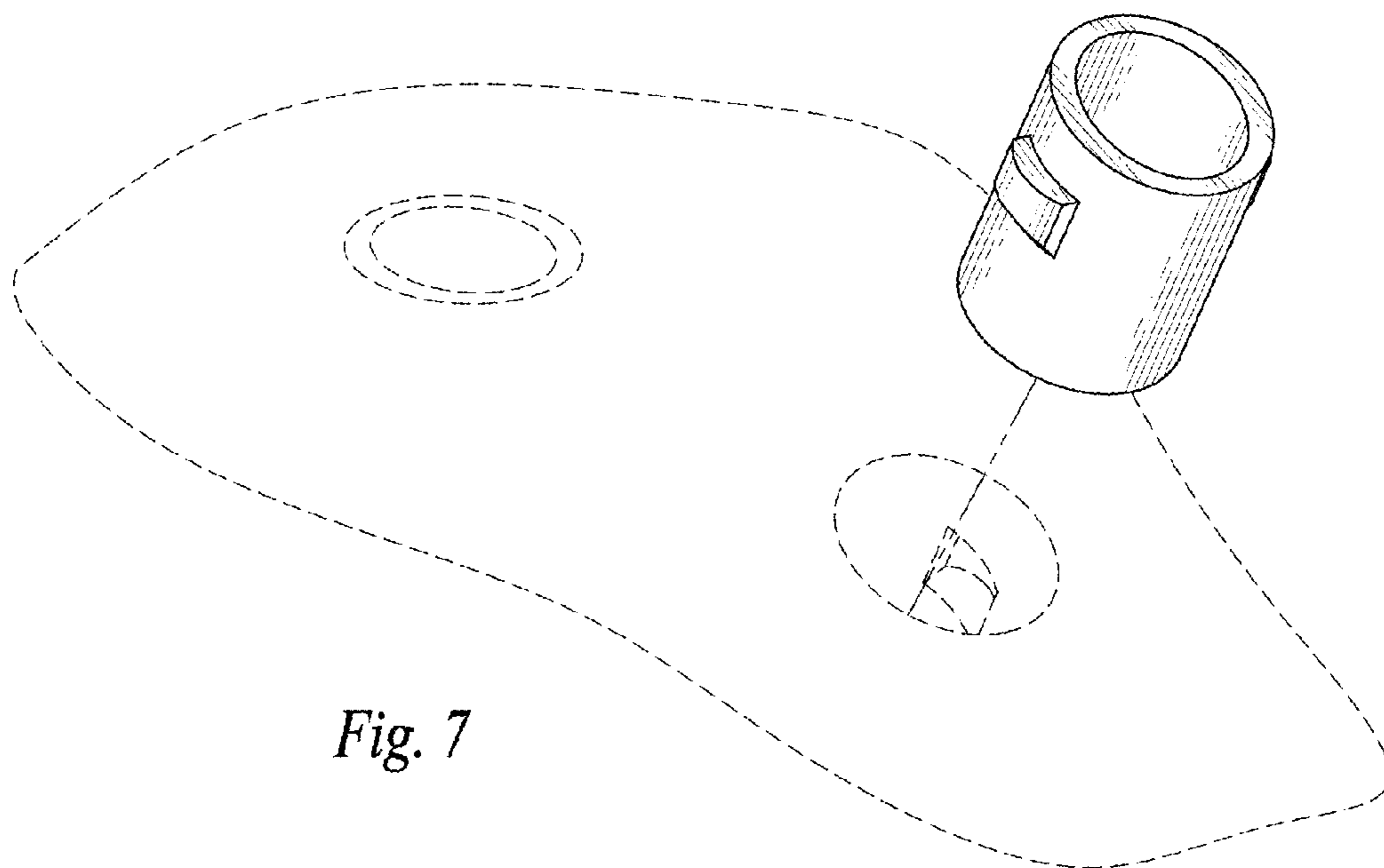
*Fig. 4*



*Fig. 5*



*Fig. 6*



*Fig. 7*