

US00D695369S

(12) **United States Design Patent**  
**Bennett**

(10) **Patent No.:** **US D695,369 S**

(45) **Date of Patent:** **\*\* Dec. 10, 2013**

(54) **WALL MOUNTED WRIST EXERCISE DEVICE**

(75) **Inventor:** **Charles Bennett**, American Fork, UT (US)

(73) **Assignee:** **BM Sports USA, LLC**, Gilbert, AZ (US)

(\*\*) **Term:** **14 Years**

(21) **Appl. No.:** **29/401,140**

(22) **Filed:** **Sep. 7, 2011**

(51) **LOC (9) Cl.** ..... **21-02**

(52) **U.S. Cl.**  
USPC ..... **D21/694**

(58) **Field of Classification Search**  
USPC ..... D21/662, 684, 694; D8/349, 354, 356, D8/358; D6/553; 174/72 A, 140 R, 504  
See application file for complete search history.

(56) **References Cited**

U.S. PATENT DOCUMENTS

D25,868 S *	8/1896	Noyes	.....	D8/354
739,282 A *	9/1903	Bohn	.....	174/504
2,699,462 A *	1/1955	Exner	.....	174/140 R
2,807,431 A *	9/1957	McHale	.....	248/113
D244,083 S *	4/1977	Pfeiffer	.....	D8/354
D265,171 S *	6/1982	Zukaitis	.....	D8/44
D271,034 S *	10/1983	Holcombe, Jr.	.....	D21/694
D282,801 S *	3/1986	Goins et al.	.....	D6/553
D306,110 S *	2/1990	Thompson et al.	.....	D6/553
D342,011 S *	12/1993	Maguire	.....	D8/349
D359,324 S *	6/1995	Phegley	.....	D21/662

D371,735 S *	7/1996	Motta	.....	D8/373
D401,211 S *	11/1998	Simpson	.....	D12/223
D416,594 S *	11/1999	Sardina	.....	D21/684
D439,292 S *	3/2001	Webber et al.	.....	D21/694
D442,065 S *	5/2001	Rohde	.....	D8/356
6,352,235 B2 *	3/2002	Cizek	.....	248/692
D456,865 S *	5/2002	Caporali et al.	.....	D21/694
D465,188 S *	11/2002	McCoy et al.	.....	D12/223
D467,492 S *	12/2002	Wieder	.....	D8/356
7,825,337 B2 *	11/2010	Young, IV	.....	174/72 A
D656,813 S *	4/2012	Dotsey et al.	.....	D8/354
D658,416 S *	5/2012	Strickland	.....	D6/553

\* cited by examiner

*Primary Examiner* — Susan E Krakower

(74) *Attorney, Agent, or Firm* — Bateman IP

(57) **CLAIM**

The ornamental design for a wall mounted wrist exercise device, as shown and described.

**DESCRIPTION**

FIG. 1 is a front perspective view of a wall mounted wrist exercise device showing my new design;

FIG. 2 is rear perspective view of the exercise device of FIG. 1;

FIG. 3 is a left side view of the exercise device of FIG. 1;

FIG. 4 is a right side view of the exercise device of FIG. 1;

FIG. 5 is a front view of the exercise device of FIG. 1;

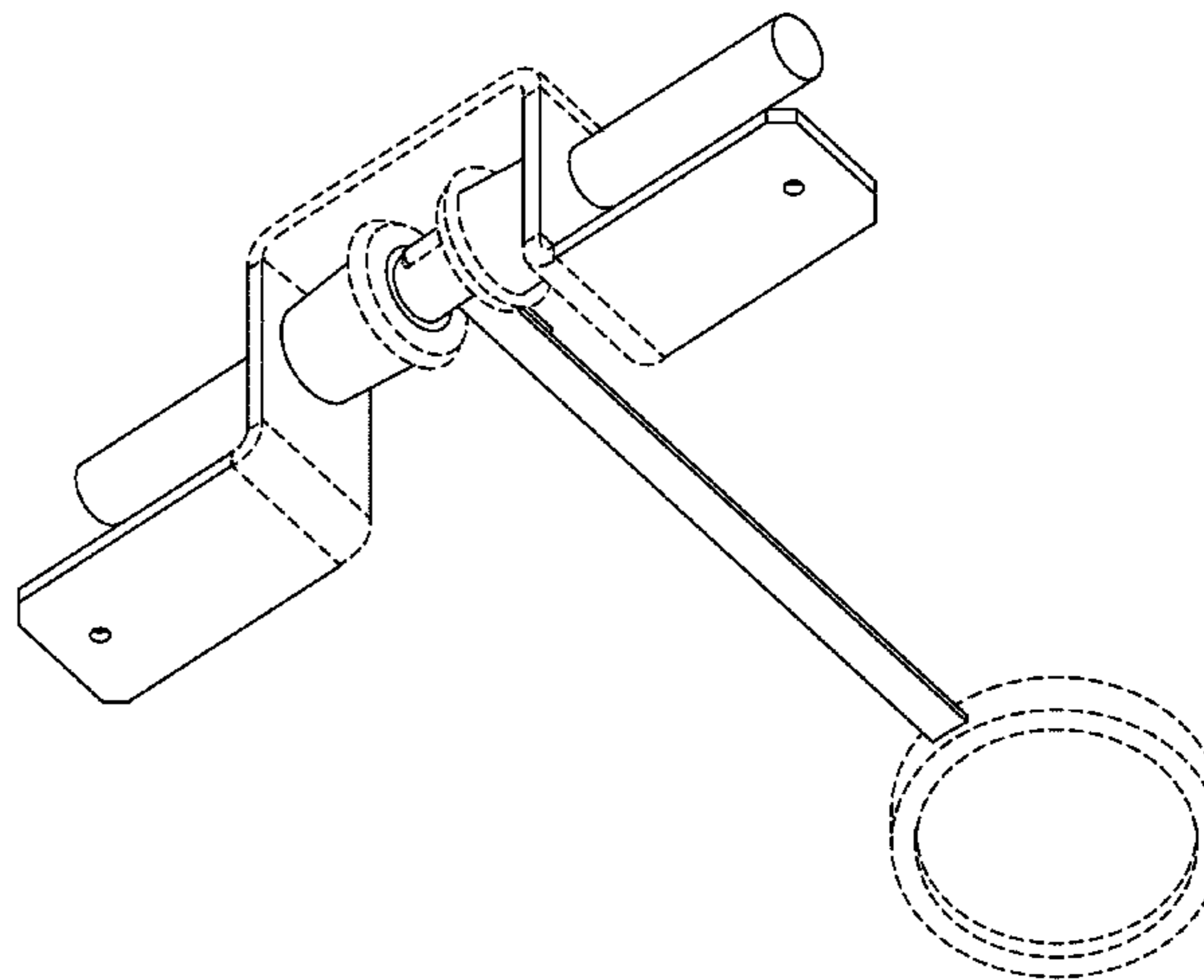
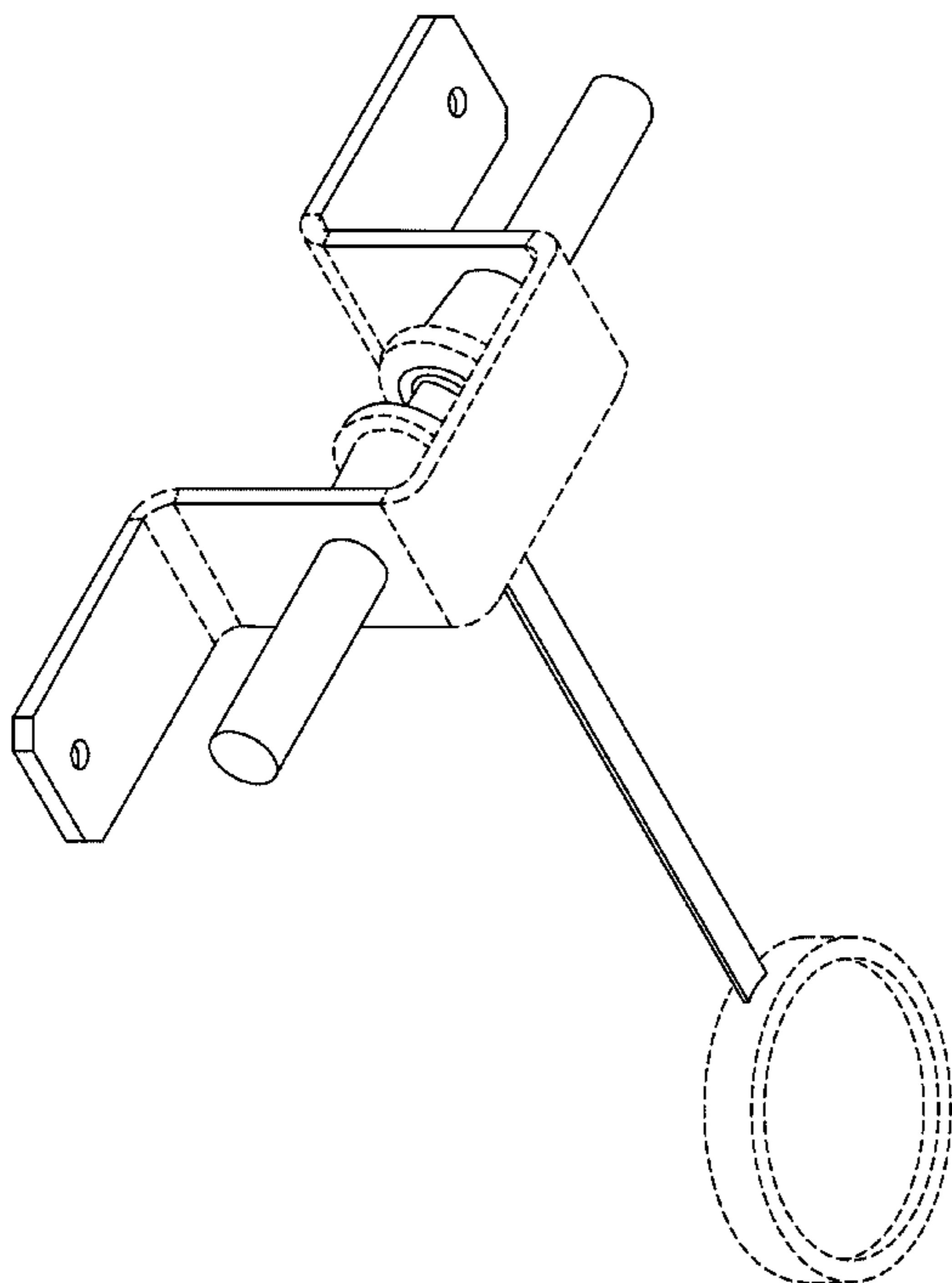
FIG. 6 is a back view of the exercise device of FIG. 1;

FIG. 7 is a top view of the exercise device of FIG. 1; and,

FIG. 8 is a bottom view of the exercise device of FIG. 1.

The broken lines illustrate portions of the wall mounted wrist exercise device which forms no part of the claimed design.

**1 Claim, 8 Drawing Sheets**



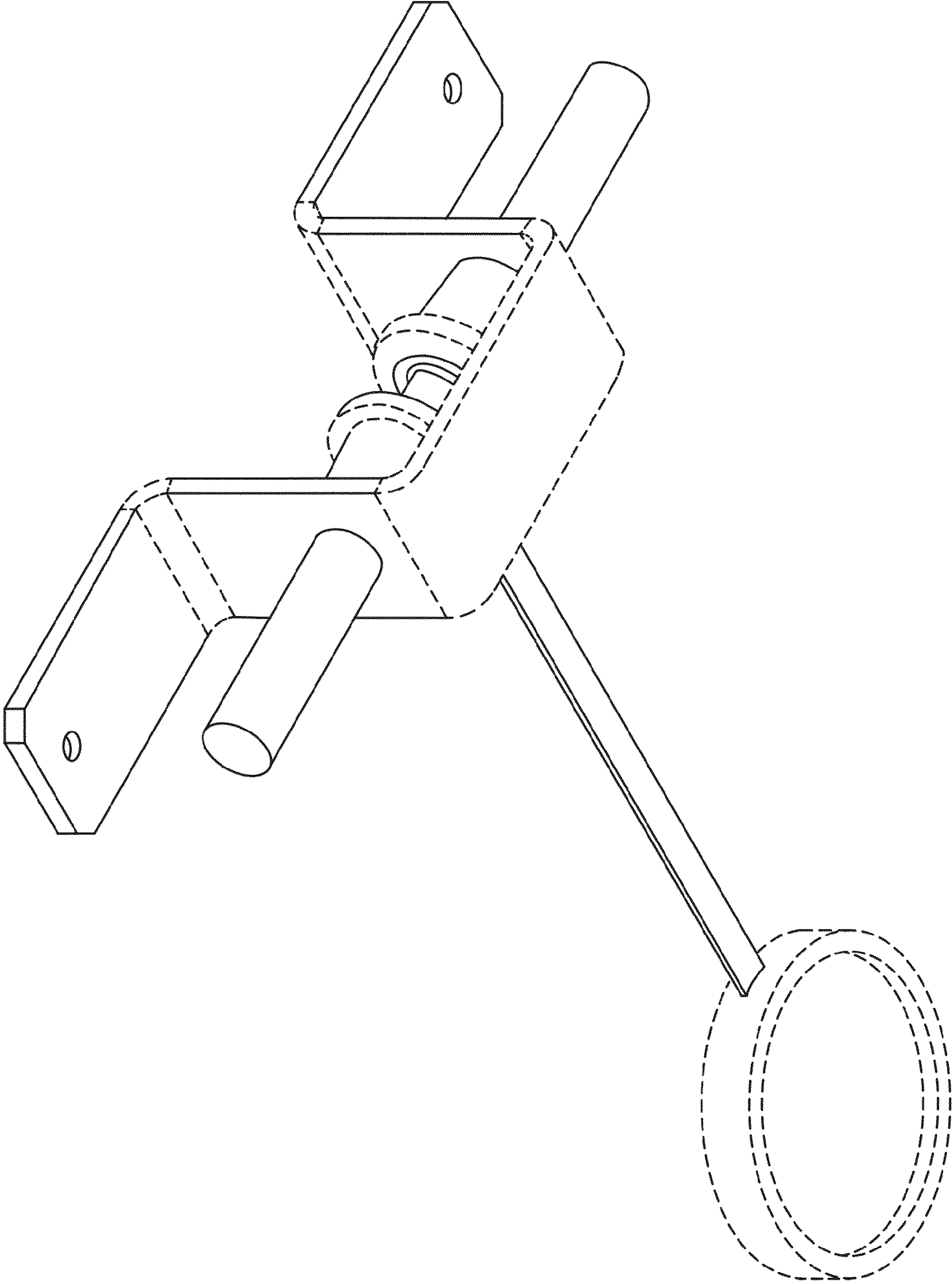


FIG. 1

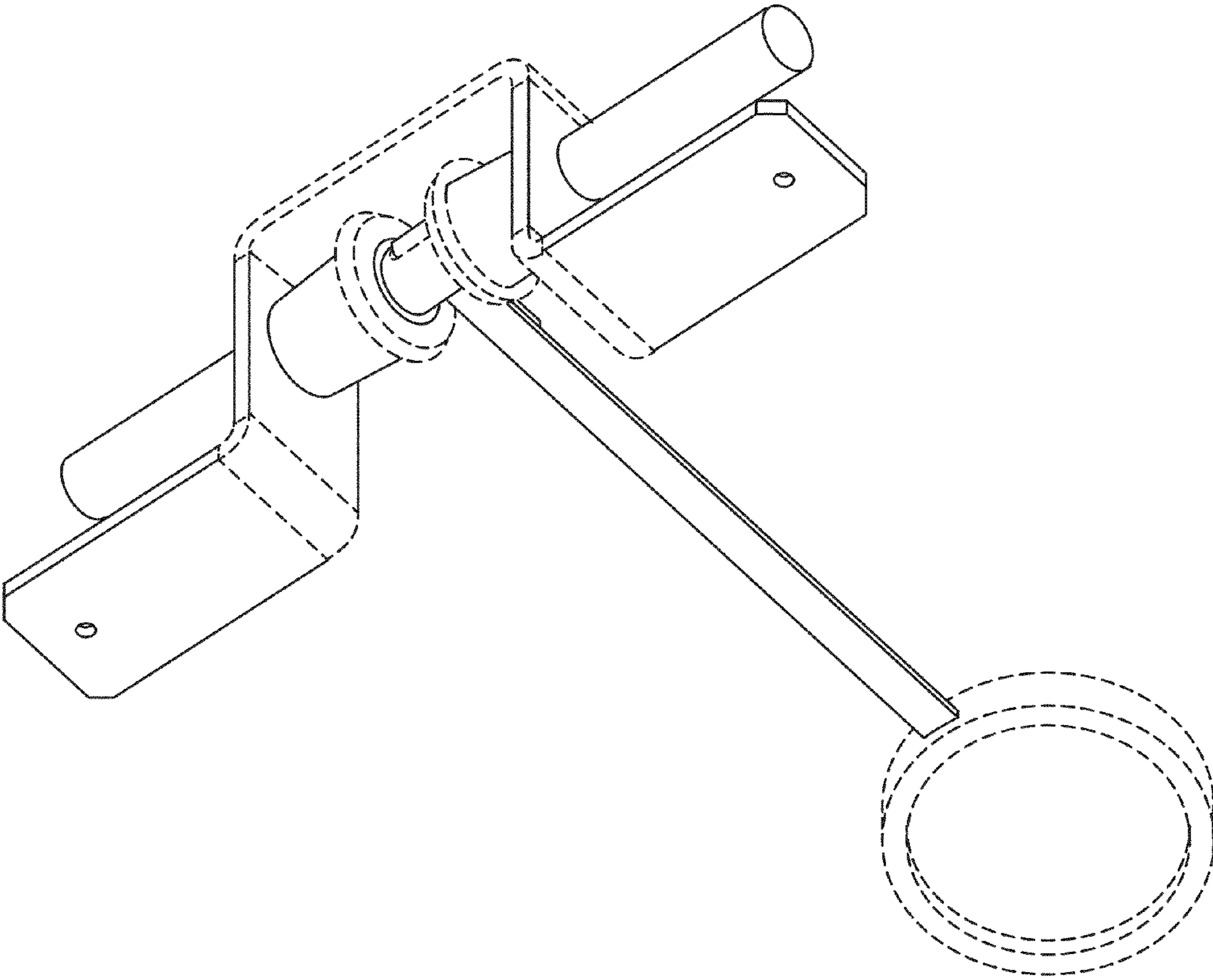


FIG. 2

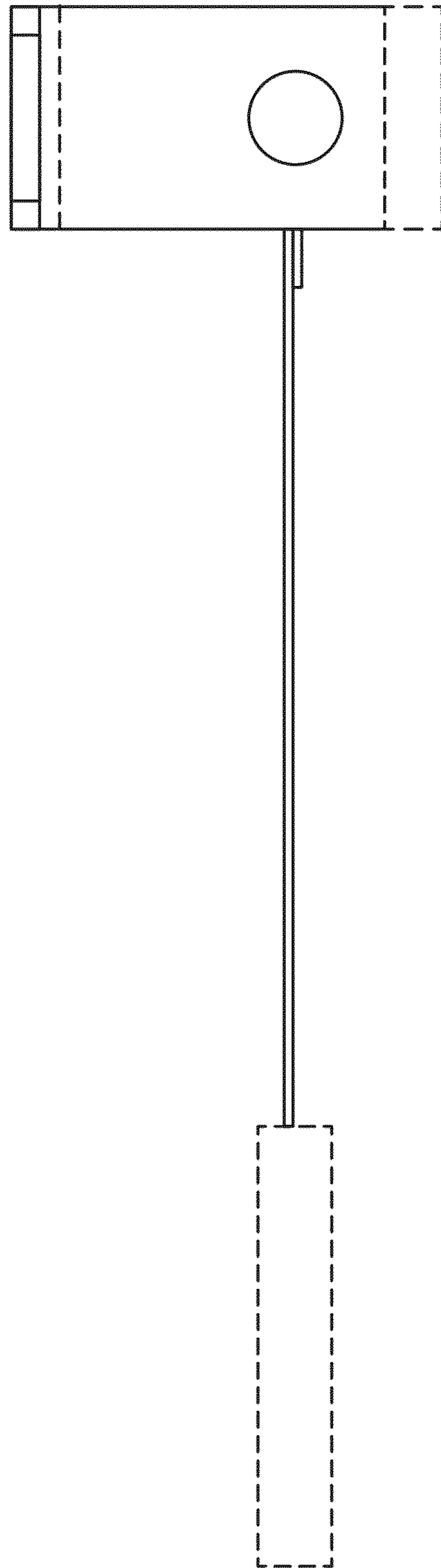


FIG. 3

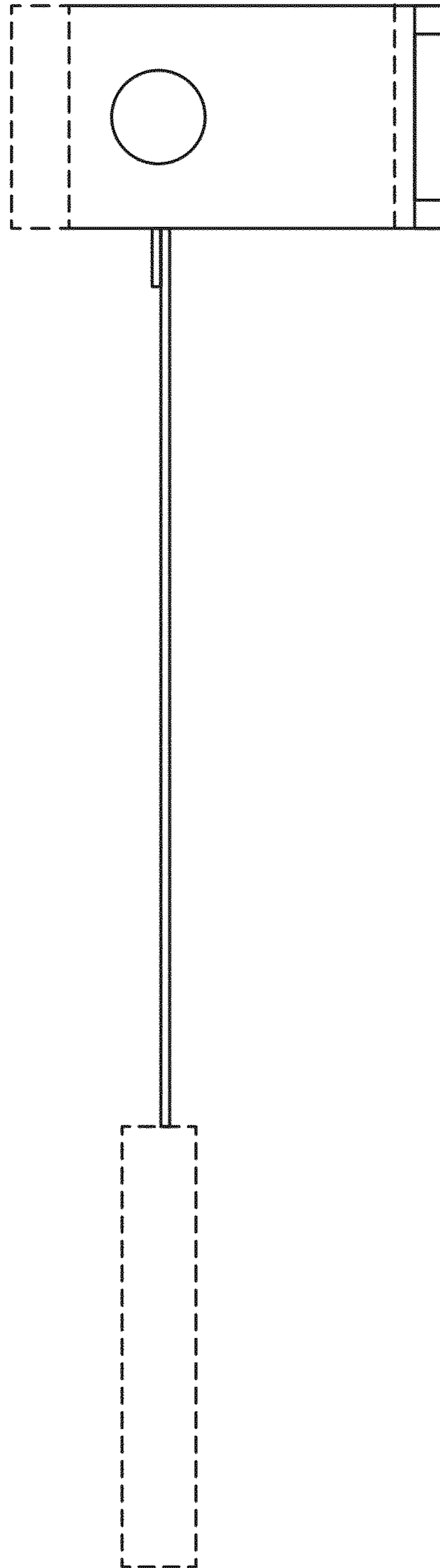


FIG. 4

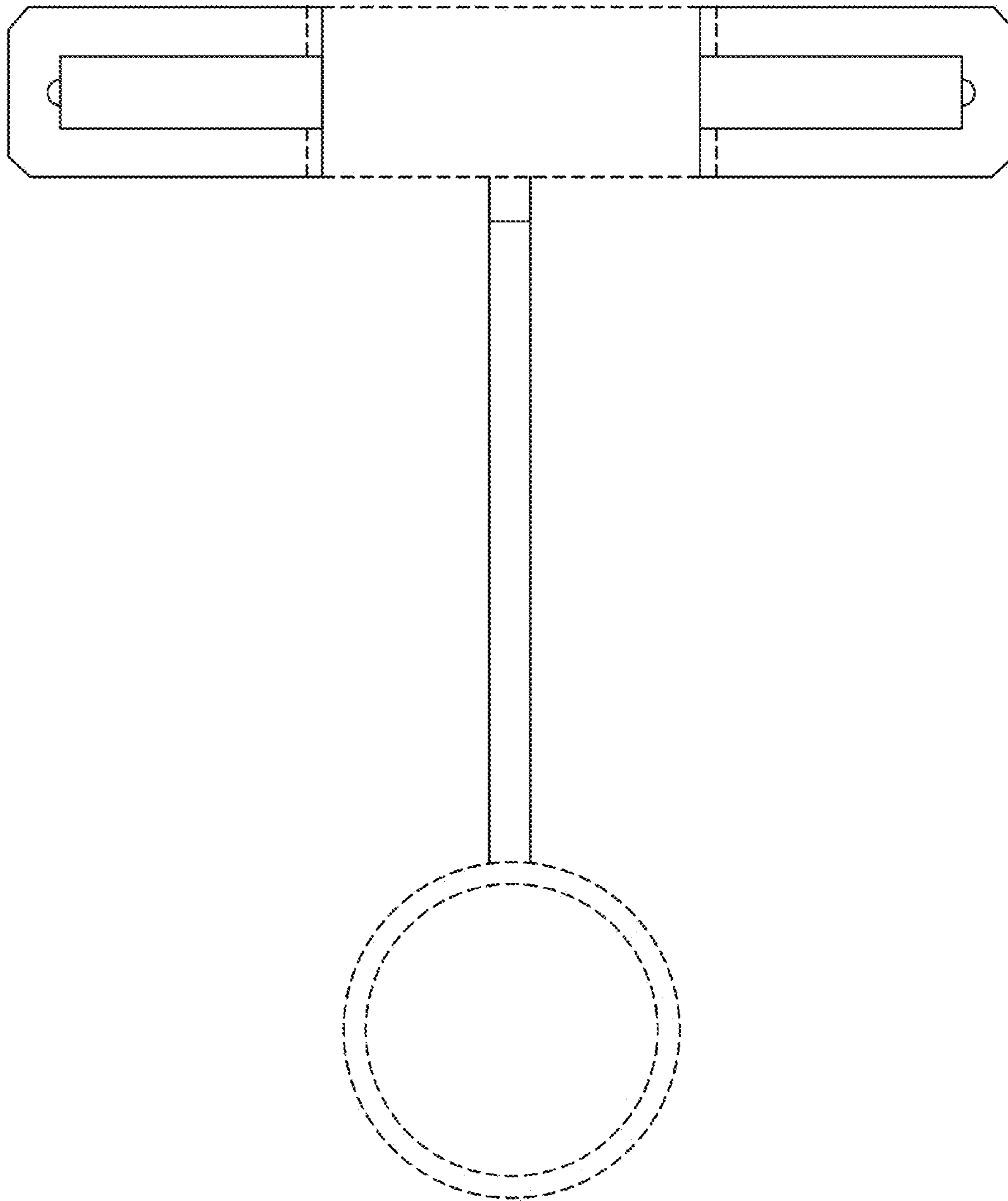


FIG. 5

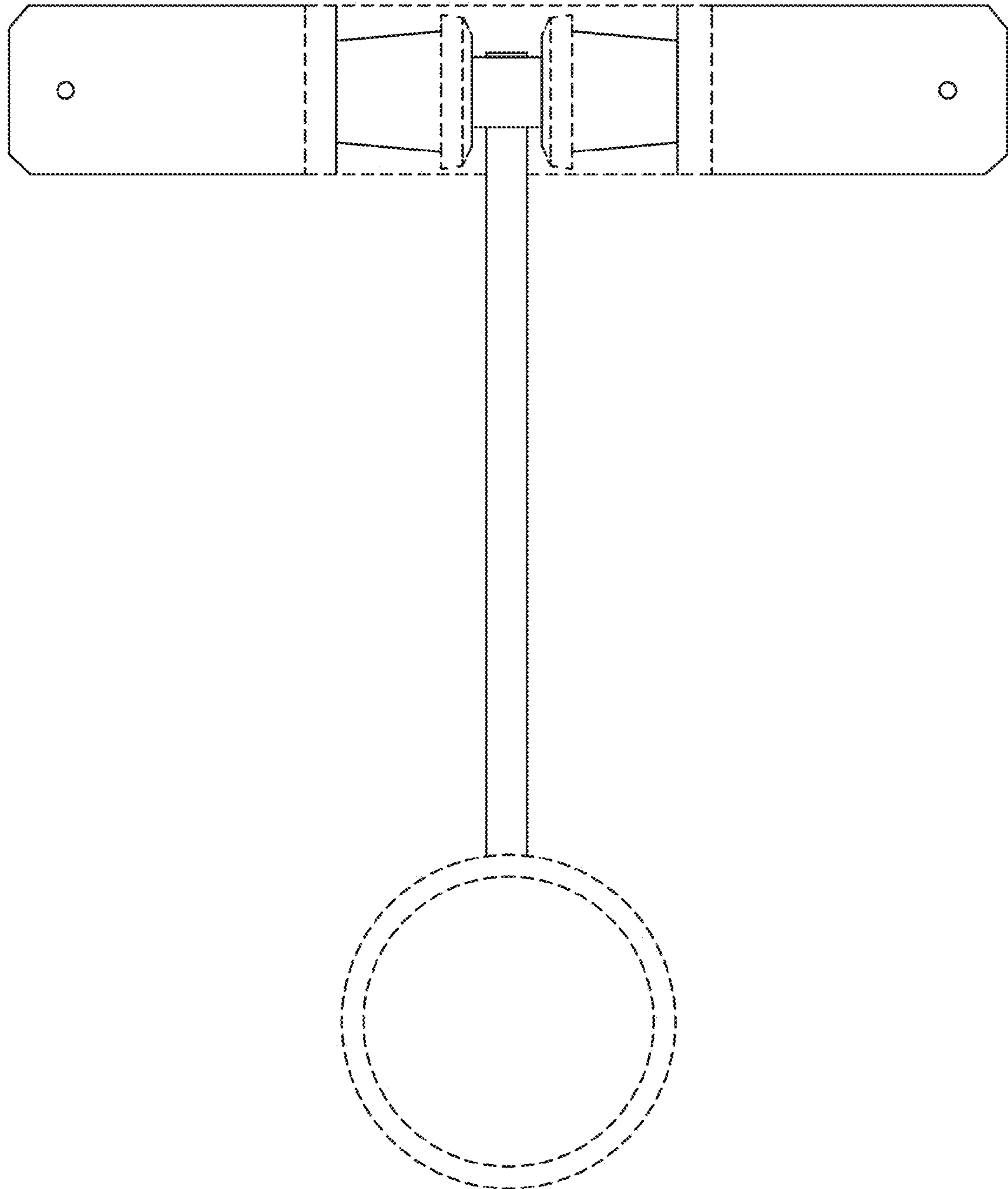


FIG. 6

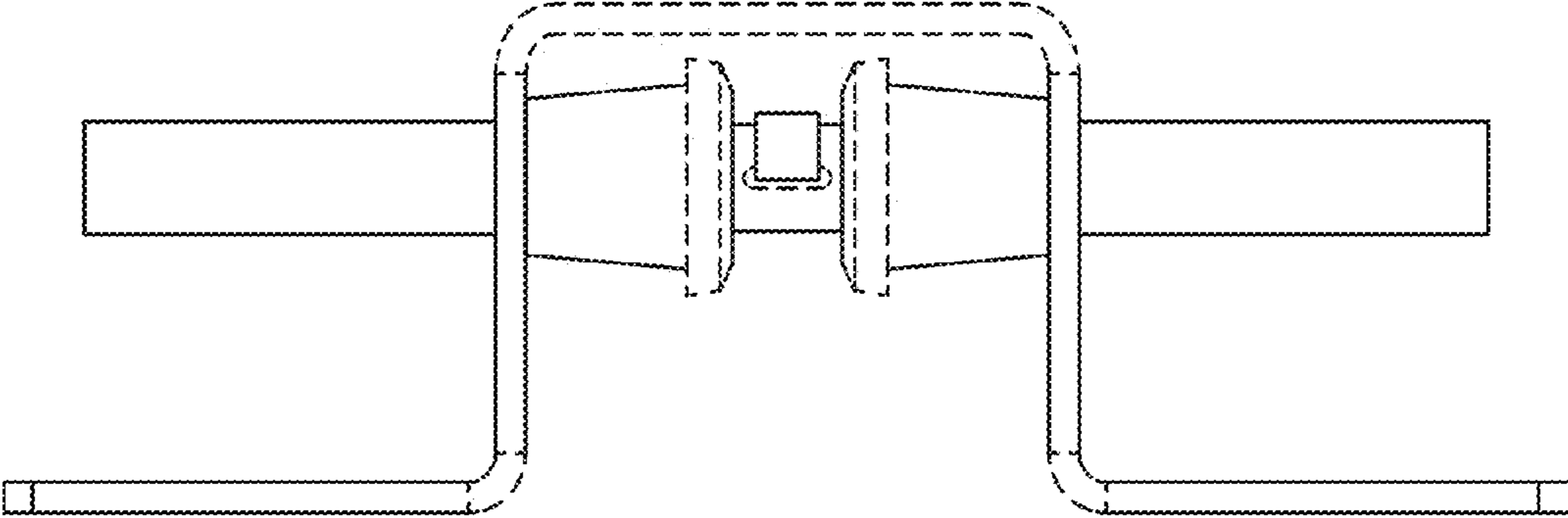


FIG. 7



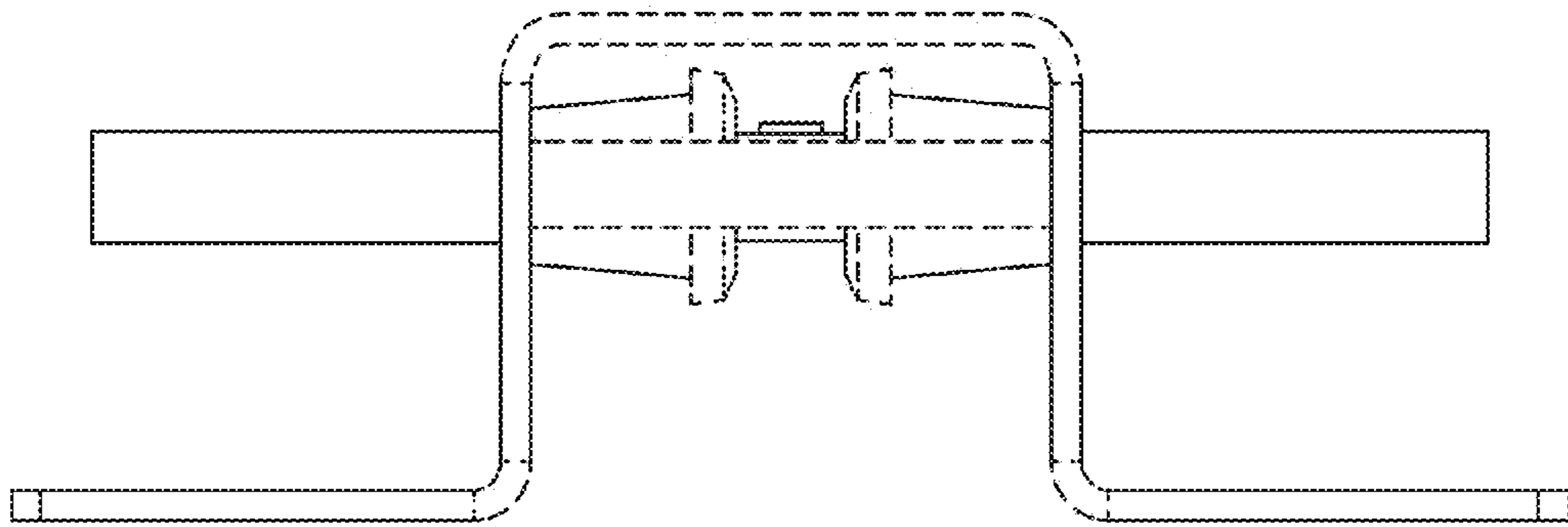


FIG. 8