



US00D695365S

(12) **United States Design Patent**  
**Ban**

(10) **Patent No.:** **US D695,365 S**

(45) **Date of Patent:** **\*\* Dec. 10, 2013**

(54) **STRETCHING DEVICE**

(71) Applicant: **NCC Co., Ltd.**, Aichi (JP)

(72) Inventor: **Toshiki Ban**, Aichi (JP)

(73) Assignee: **NCC Co., Ltd.**, Aichi (JP)

(\*\*) Term: **14 Years**

(21) Appl. No.: **29/447,572**

(22) Filed: **Mar. 5, 2013**

(30) **Foreign Application Priority Data**

Dec. 6, 2012 (JP) ..... 2012-029861

(51) **LOC (9) Cl.** ..... **21-02**

(52) **U.S. Cl.**  
USPC ..... **D21/662**; D21/687

(58) **Field of Classification Search**  
USPC ..... D21/662, 671, 674, 686–689, 694, 797,  
D21/798; 482/51, 70, 79, 93, 96, 121, 123,  
482/129–131, 140, 142, 148; D6/596, 601;  
D24/211–215; D30/160  
See application file for complete search history.

(56) **References Cited**

**U.S. PATENT DOCUMENTS**

D152,394 S *	1/1949	Ceverha	.....	D21/662
D242,390 S *	11/1976	Grube	.....	D24/215
D282,990 S *	3/1986	Sims et al.	.....	D6/502
4,752,067 A *	6/1988	Colonello	.....	482/140
D309,689 S *	8/1990	Bool	.....	D6/601
D310,312 S *	9/1990	Wong et al.	.....	D6/596
5,033,742 A *	7/1991	Johnson et al.	.....	482/140
5,207,704 A *	5/1993	Shields	.....	606/240
5,474,513 A *	12/1995	Carlesimo et al.	.....	482/140
5,702,333 A *	12/1997	Waldron et al.	.....	482/131

5,795,276 A *	8/1998	Almeda	.....	482/142
D416,059 S *	11/1999	Cayne et al.	.....	D21/687
D428,454 S *	7/2000	Fischer et al.	.....	D21/662
D432,242 S *	10/2000	Lie	.....	D24/212
6,336,895 B1 *	1/2002	Dukes	.....	482/140
D456,084 S *	4/2002	Smith	.....	D21/687
D469,486 S *	1/2003	Olson	.....	D21/687
D506,514 S *	6/2005	Bernstein	.....	D21/687
D587,271 S *	2/2009	Johnson et al.	.....	D14/439
D591,803 S *	5/2009	Carbone	.....	D21/662
D604,929 S *	12/2009	Hartmann	.....	D1/127
7,695,407 B2 *	4/2010	Miller et al.	.....	482/51
D637,030 S *	5/2011	Khandai	.....	D6/601
D663,149 S *	7/2012	Cohen	.....	D6/601
D670,873 S *	11/2012	Seliskar et al.	.....	D30/160

\* cited by examiner

*Primary Examiner* — Susan E Krakower

(74) *Attorney, Agent, or Firm* — McDermott Will & Emery LLP

(57) **CLAIM**

The ornamental design for a stretching device, as shown and described.

**DESCRIPTION**

FIG. 1 is a perspective view of the stretching device, showing the new design;

FIG. 2 is a front view of the stretching device;

FIG. 3 is a rear view of the stretching device;

FIG. 4 is a left side view of the stretching device;

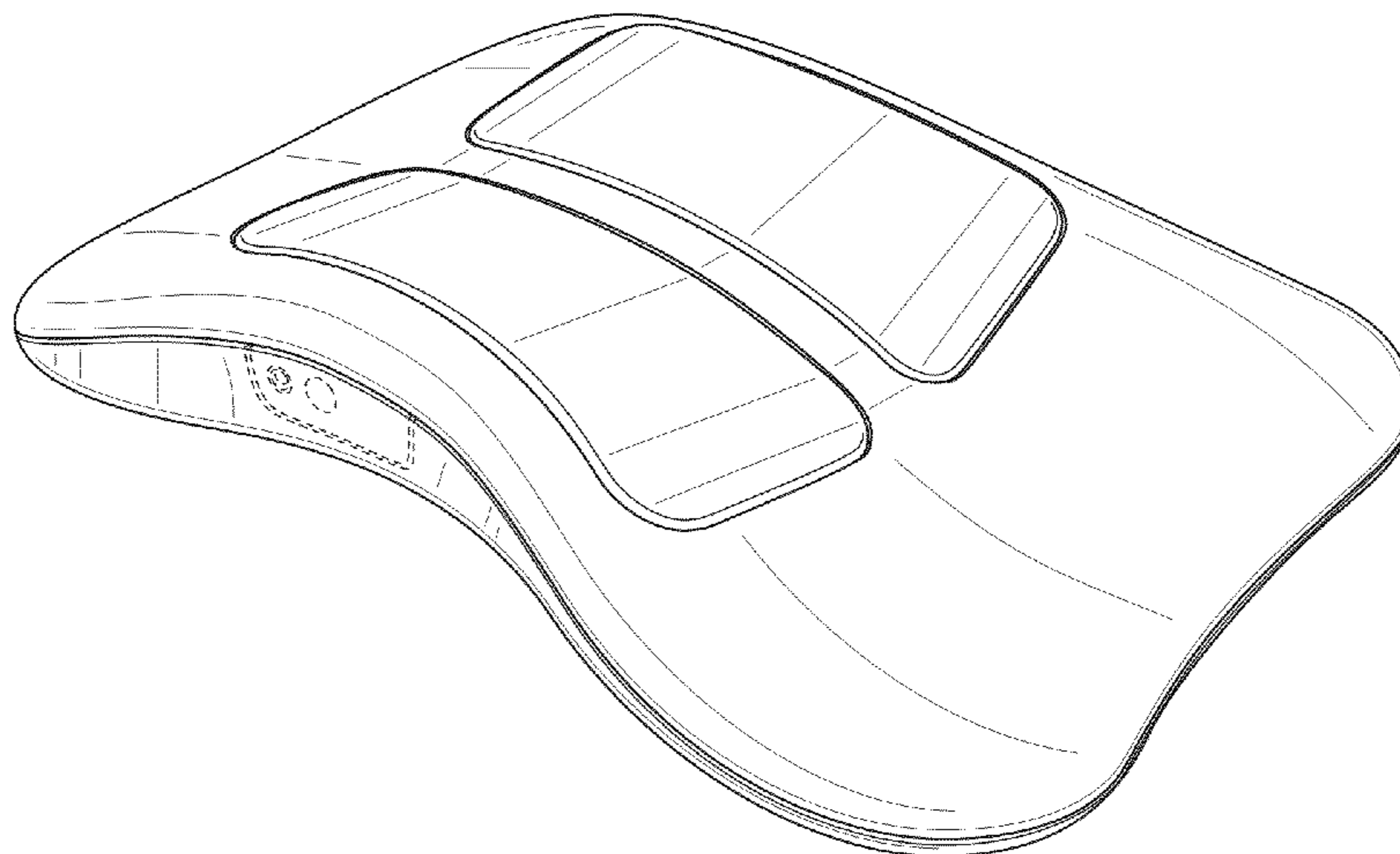
FIG. 5 is a right side view of the stretching device;

FIG. 6 is a top view of the stretching device; and,

FIG. 7 is a bottom view of the stretching device.

The broken lines showing various elements of the stretching device are included for the purpose of illustrating non-claimed subject matter and form no part of the claimed design.

**1 Claim, 7 Drawing Sheets**



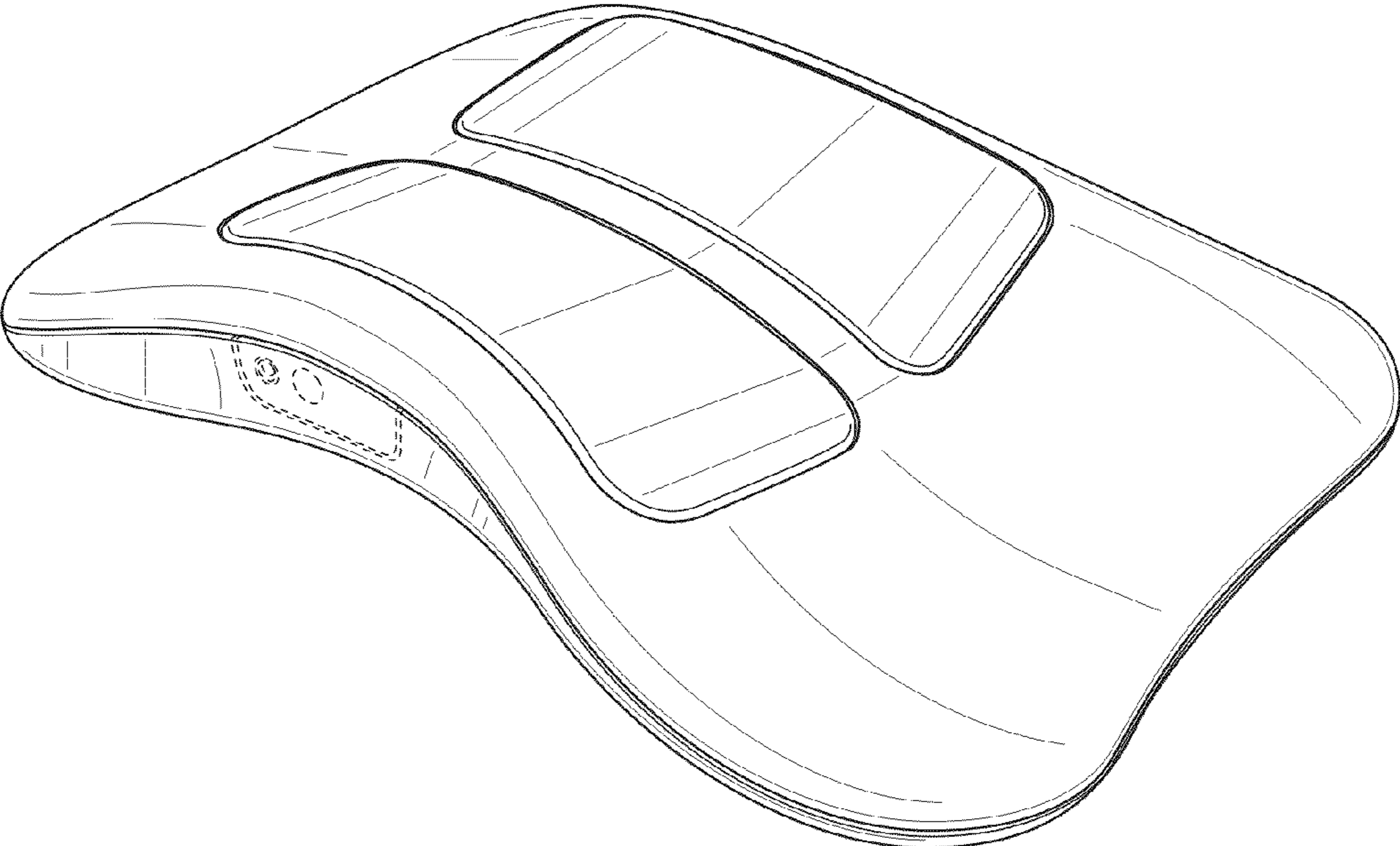


FIG. 1

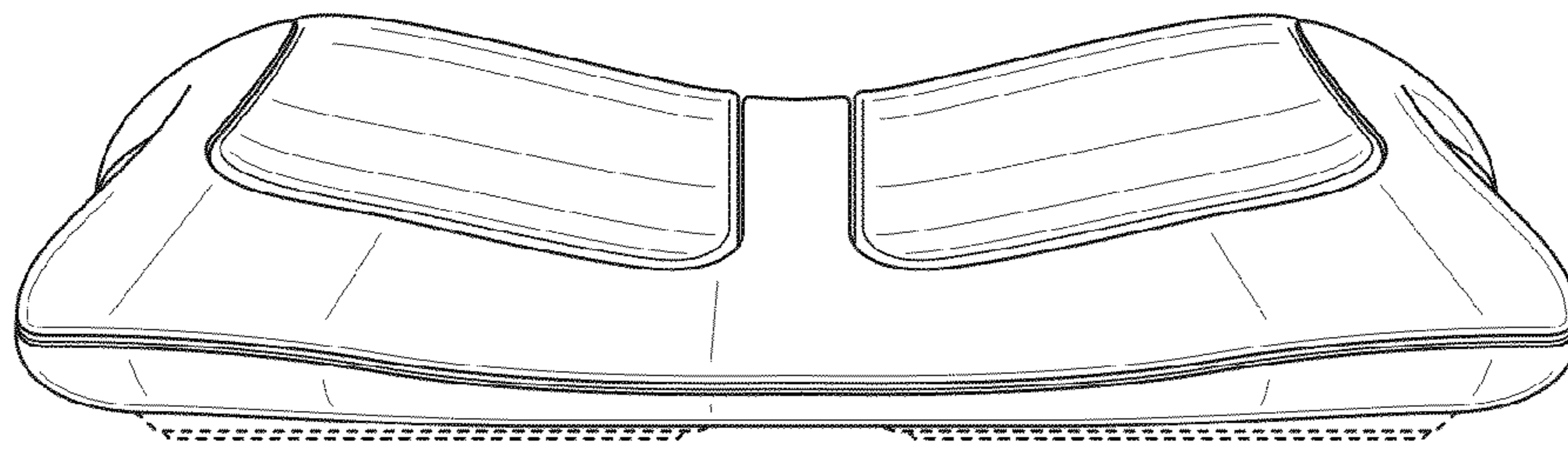


FIG. 2

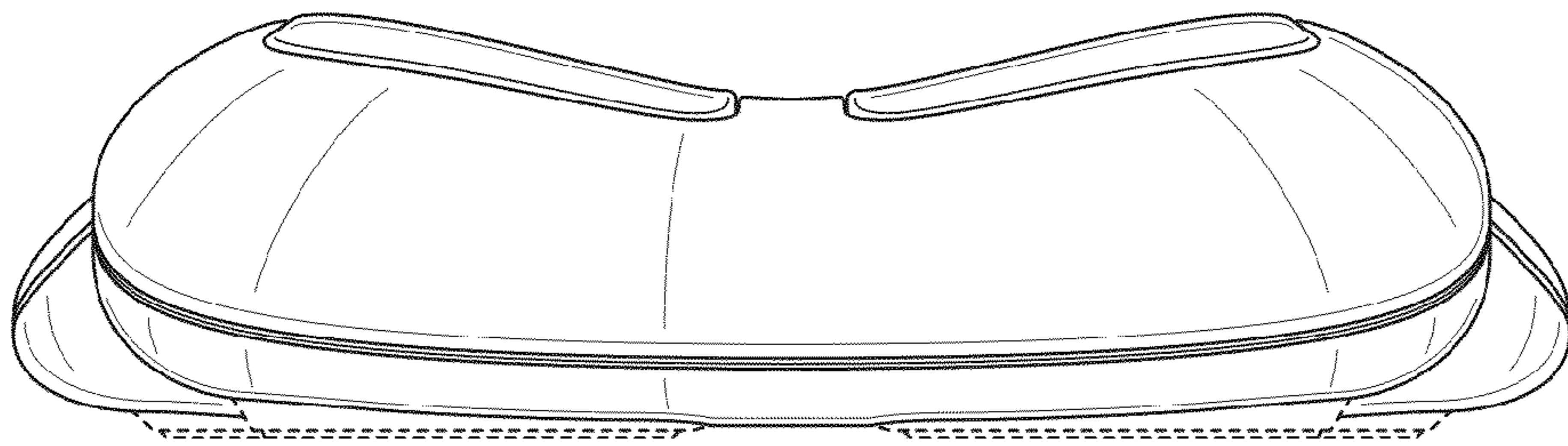


FIG. 3

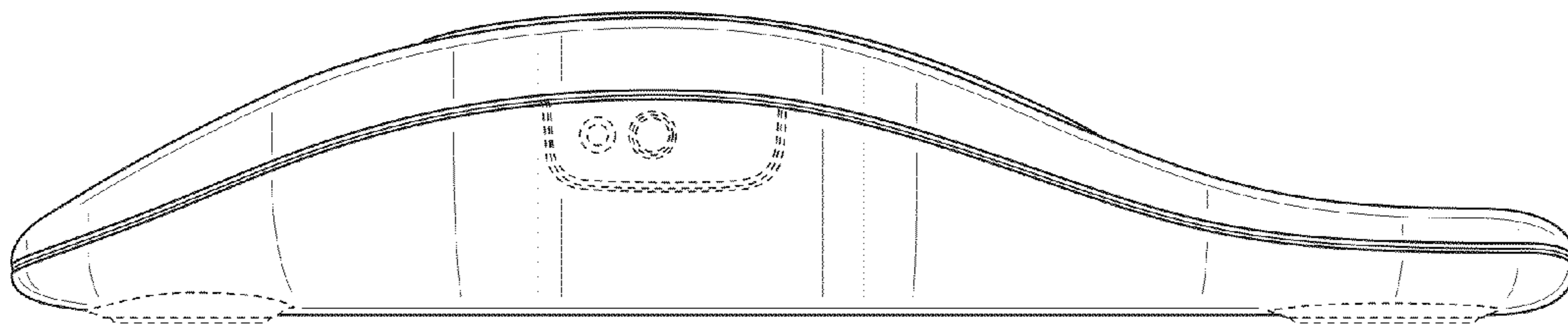


FIG. 4

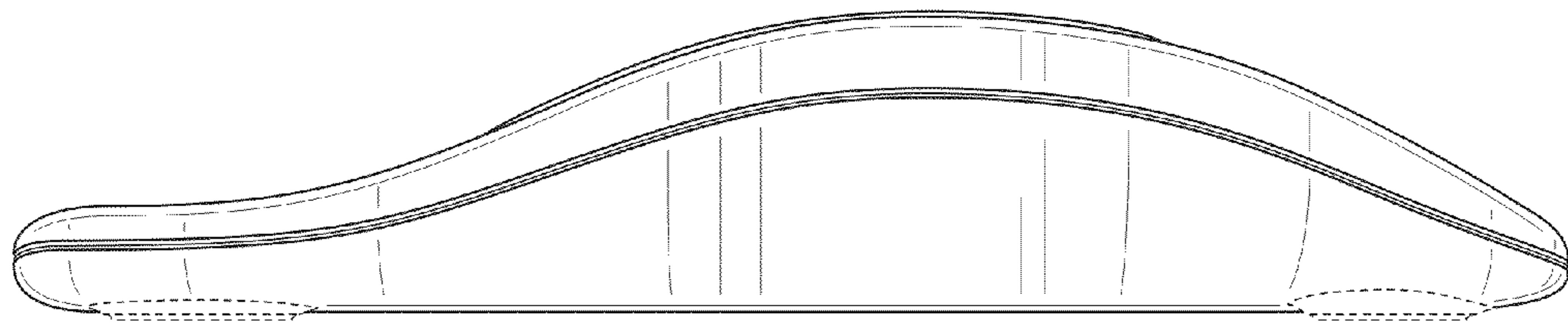


FIG. 5

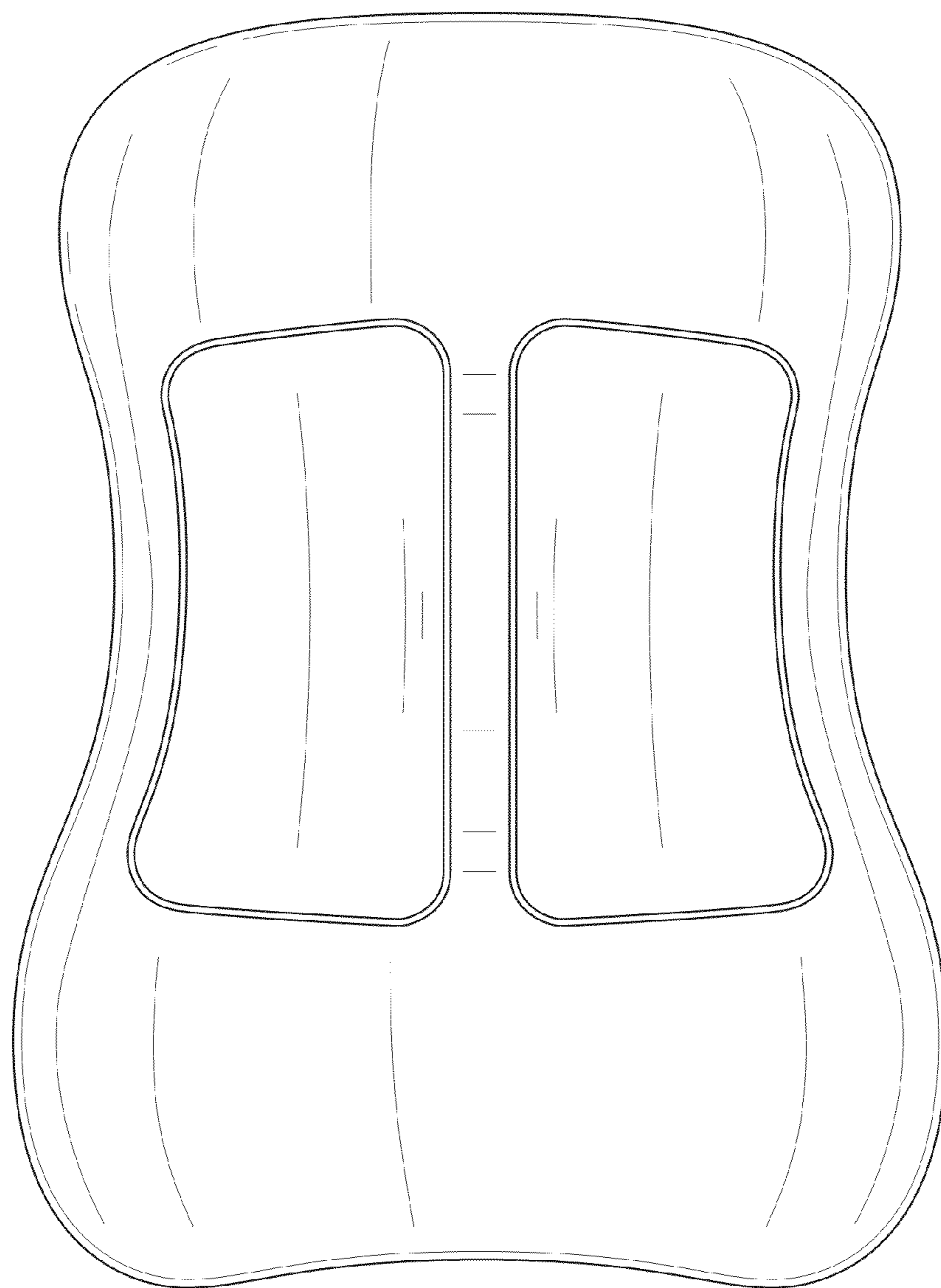


FIG. 6

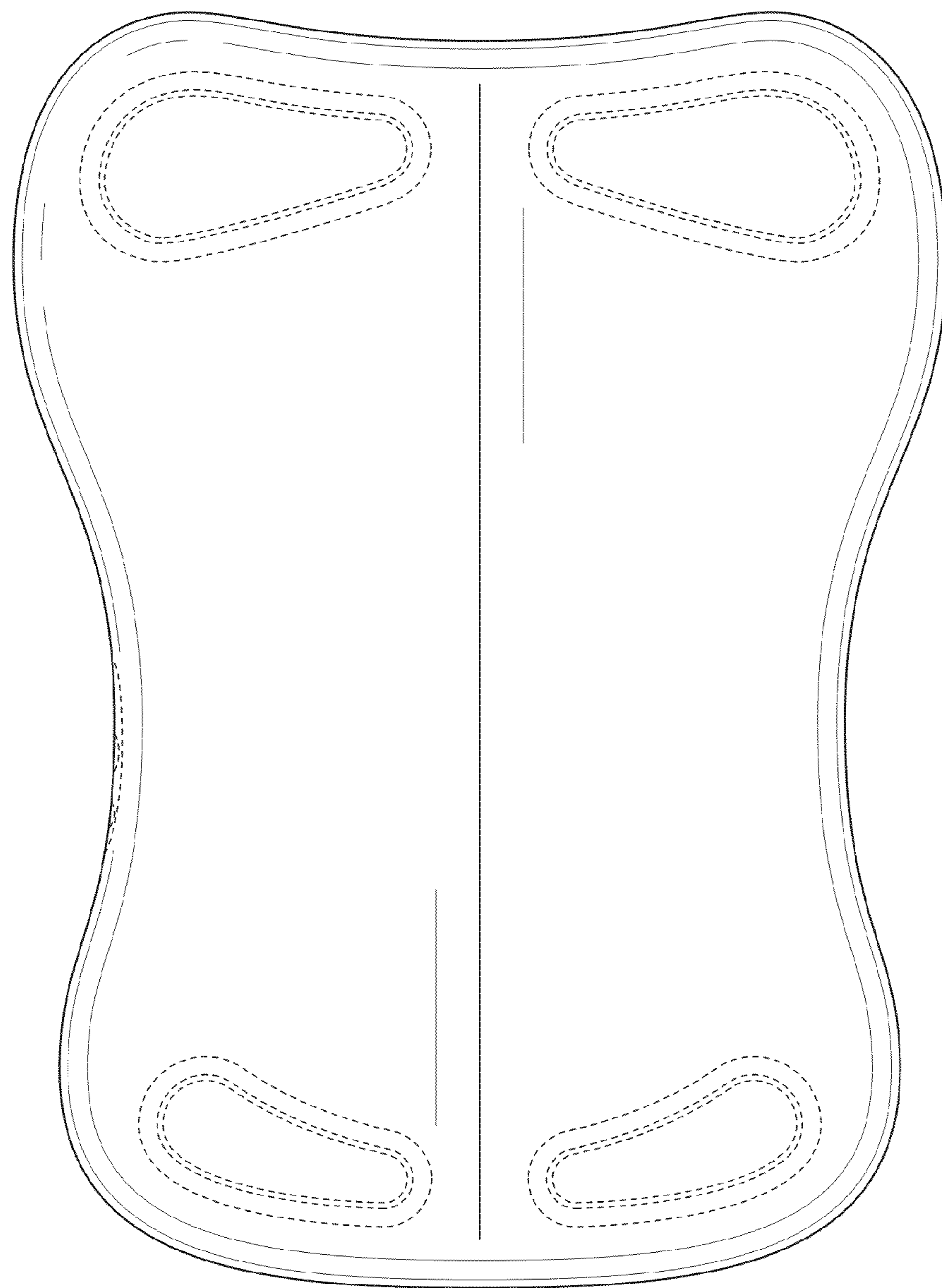


FIG. 7