



US00D695364S

(12) **United States Design Patent**
Khalil

(10) **Patent No.:** **US D695,364 S**

(45) **Date of Patent:** **** Dec. 10, 2013**

(54) **ROLLING EXERCISE DEVICE**

(76) Inventor: **Adel S. Khalil**, Lake Park, FL (US)

(**) Term: **14 Years**

(21) Appl. No.: **29/417,577**

(22) Filed: **Apr. 5, 2012**

(51) **LOC (9) Cl.** **21-02**

(52) **U.S. Cl.**
USPC **D21/662; D24/211**

(58) **Field of Classification Search**
USPC D21/662, 679, 680, 681, 682, 694;
482/8, 110, 121–123, 125–127, 129,
482/132, 136, 140–142; D24/200,
D24/211–215; 601/120, 125

See application file for complete search history.

(56) **References Cited**

U.S. PATENT DOCUMENTS

2,817,347	A *	12/1957	Hilt, Sr.	135/65
3,584,871	A *	6/1971	Kelmon et al.	482/123
D262,908	S *	2/1982	Pesco	D24/211
D273,042	S *	3/1984	Jackson	D24/211
D333,871	S *	3/1993	Grenko	D24/211
D346,660	S *	5/1994	Chiang	D24/215
5,632,707	A *	5/1997	Daniel et al.	482/8
D382,971	S *	8/1997	Haldi	D24/211
D410,549	S *	6/1999	Chen	D24/211
D479,289	S *	9/2003	Turner	D21/662
D502,264	S *	2/2005	Timmer	D24/211
6,942,605	B1 *	9/2005	Sukhovitsky	482/132

D585,947	S *	2/2009	Royster	D21/662
D653,714	S *	2/2012	Meininger et al.	D21/662
D654,544	S *	2/2012	Sliemers	D21/662
D654,545	S *	2/2012	Richard	D21/662
D666,684	S *	9/2012	Meininger et al.	D21/662

* cited by examiner

Primary Examiner — Susan E Krakower

(74) *Attorney, Agent, or Firm* — Gold & Rizvi, P.A.; Glenn E. Gold

(57) **CLAIM**

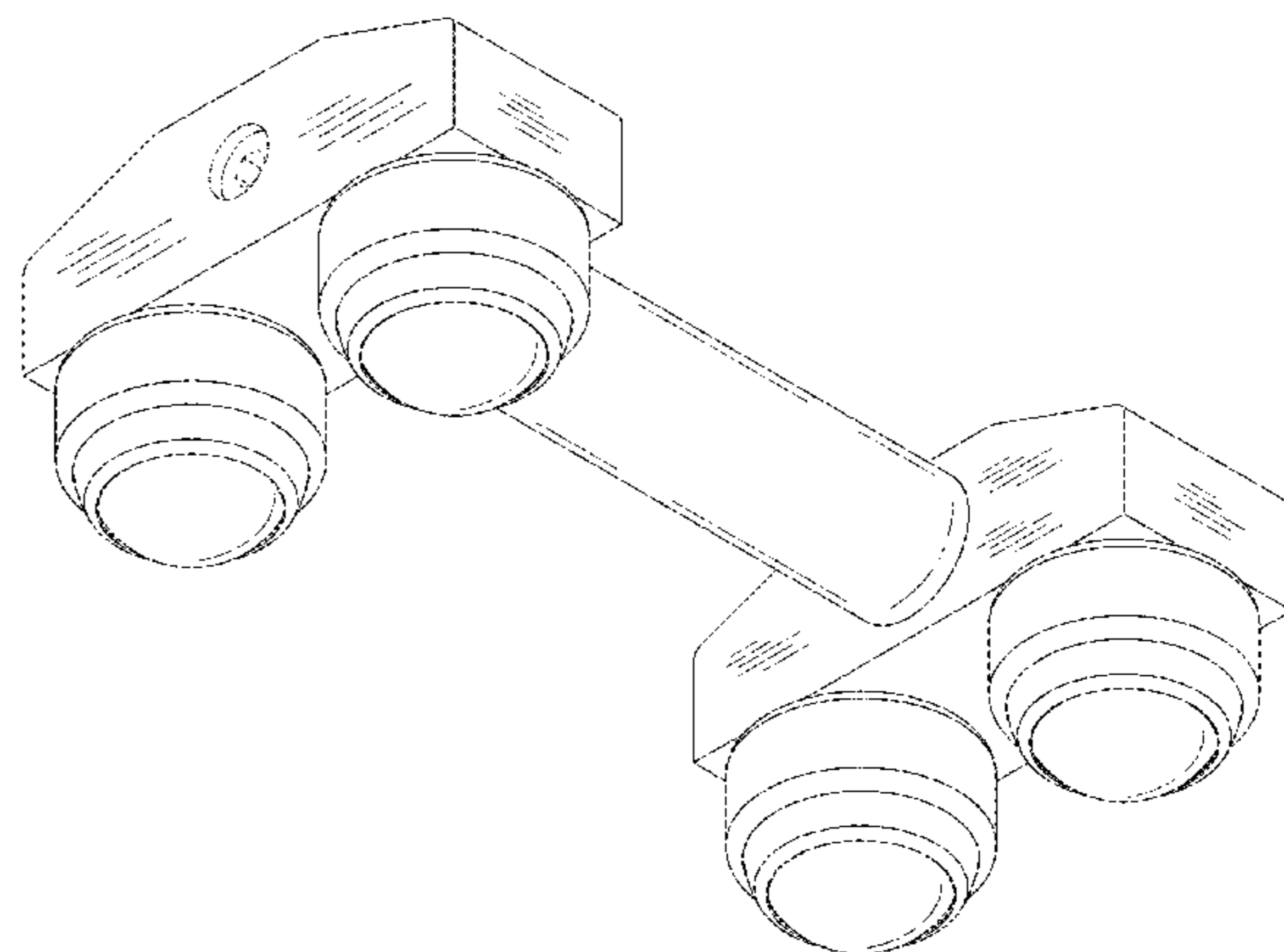
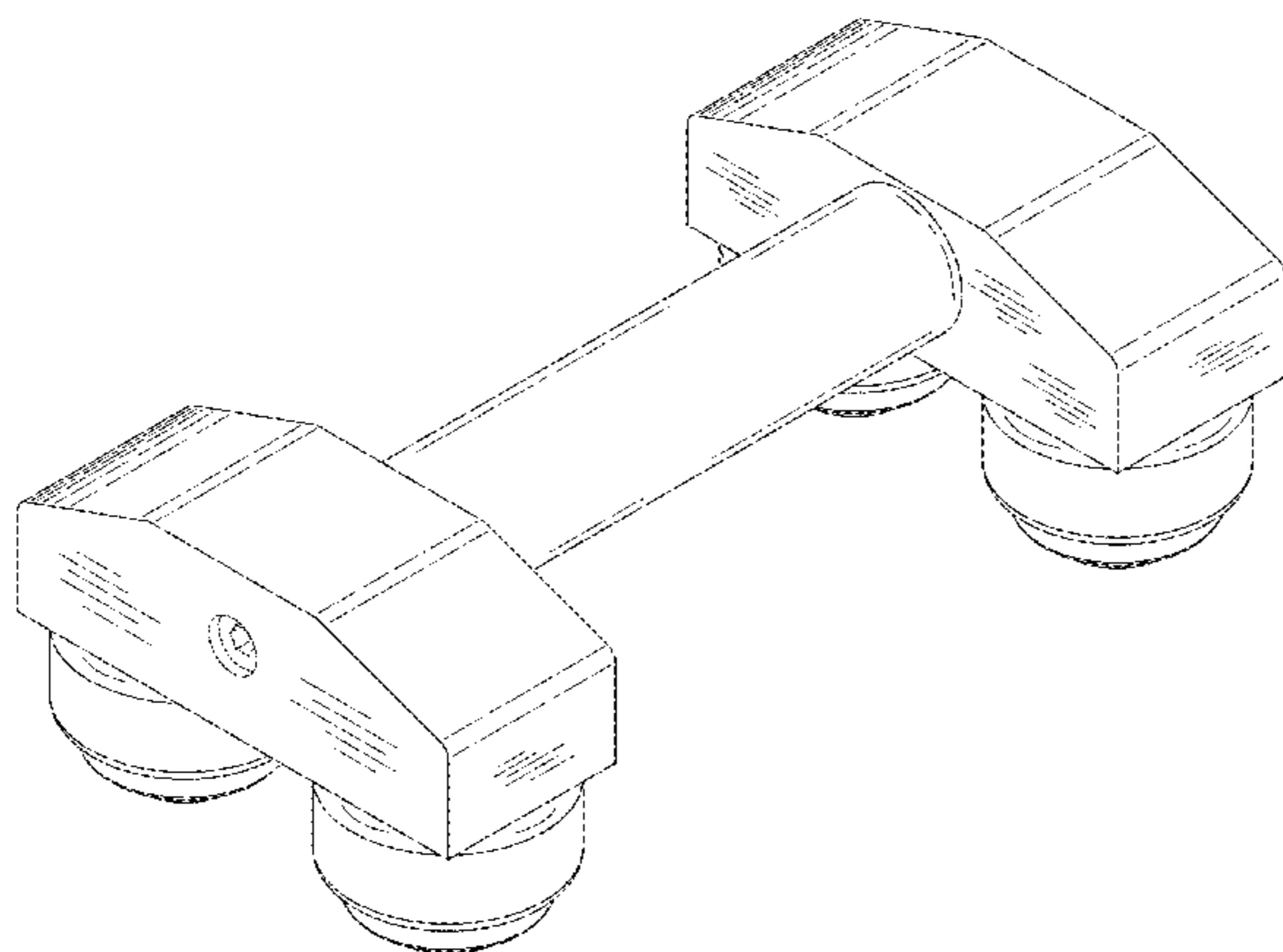
I claim the ornamental design for a rolling exercise device, as shown and described.

DESCRIPTION

FIG. 1 is an isometric top view of a rolling exercise device showing my new design;
FIG. 2 is an isometric bottom view thereof;
FIG. 3 is a front view thereof;
FIG. 4 is a right side view thereof;
FIG. 5 is a rear view thereof;
FIG. 6 is a left side view thereof;
FIG. 7 is a top view thereof; and,
FIG. 8 is a bottom view thereof.

The broken lines showing a fastener and countersink illustrate portions of the rolling exercise device which form no part of the claimed design.

1 Claim, 8 Drawing Sheets



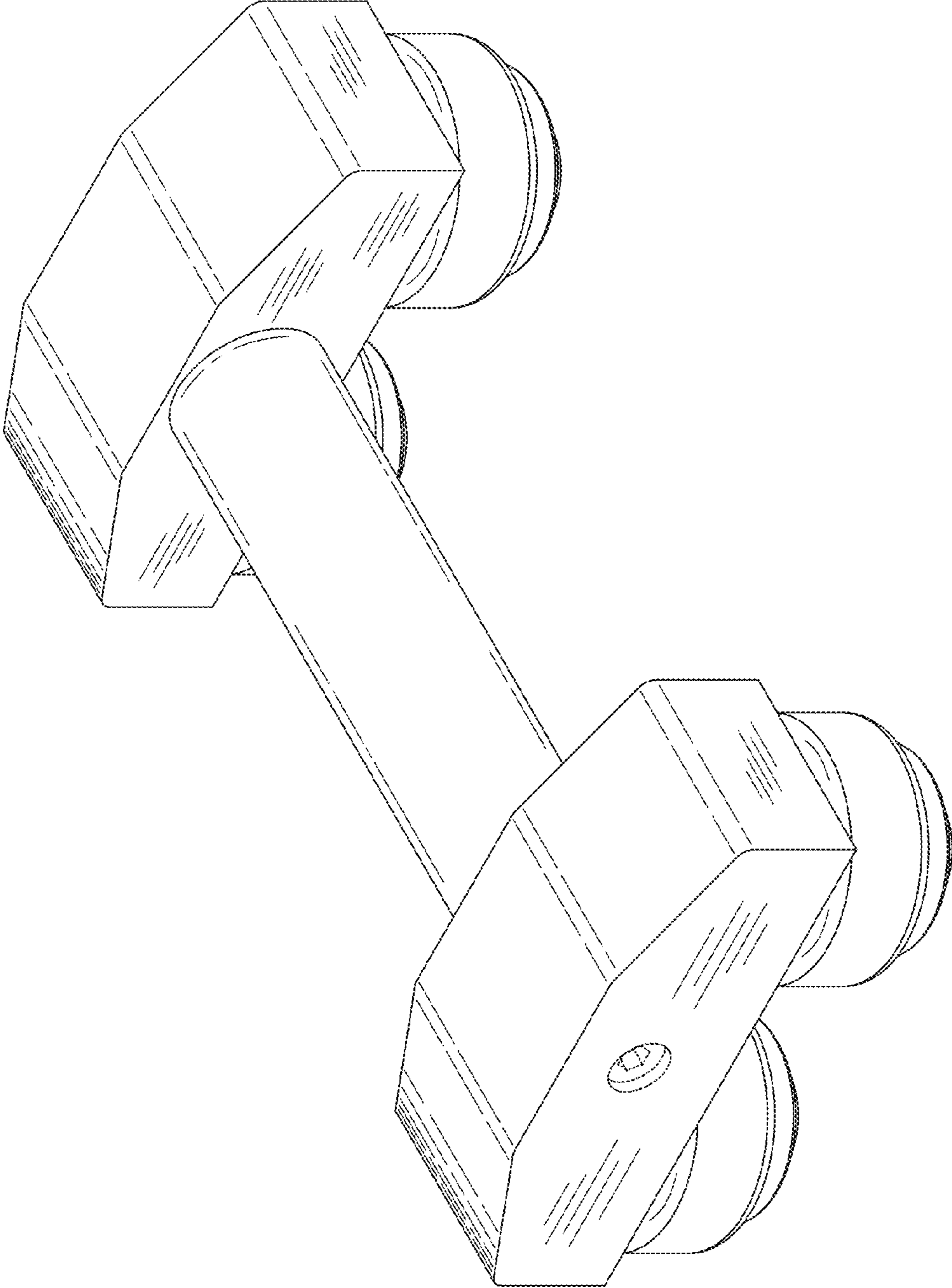


FIG. 1

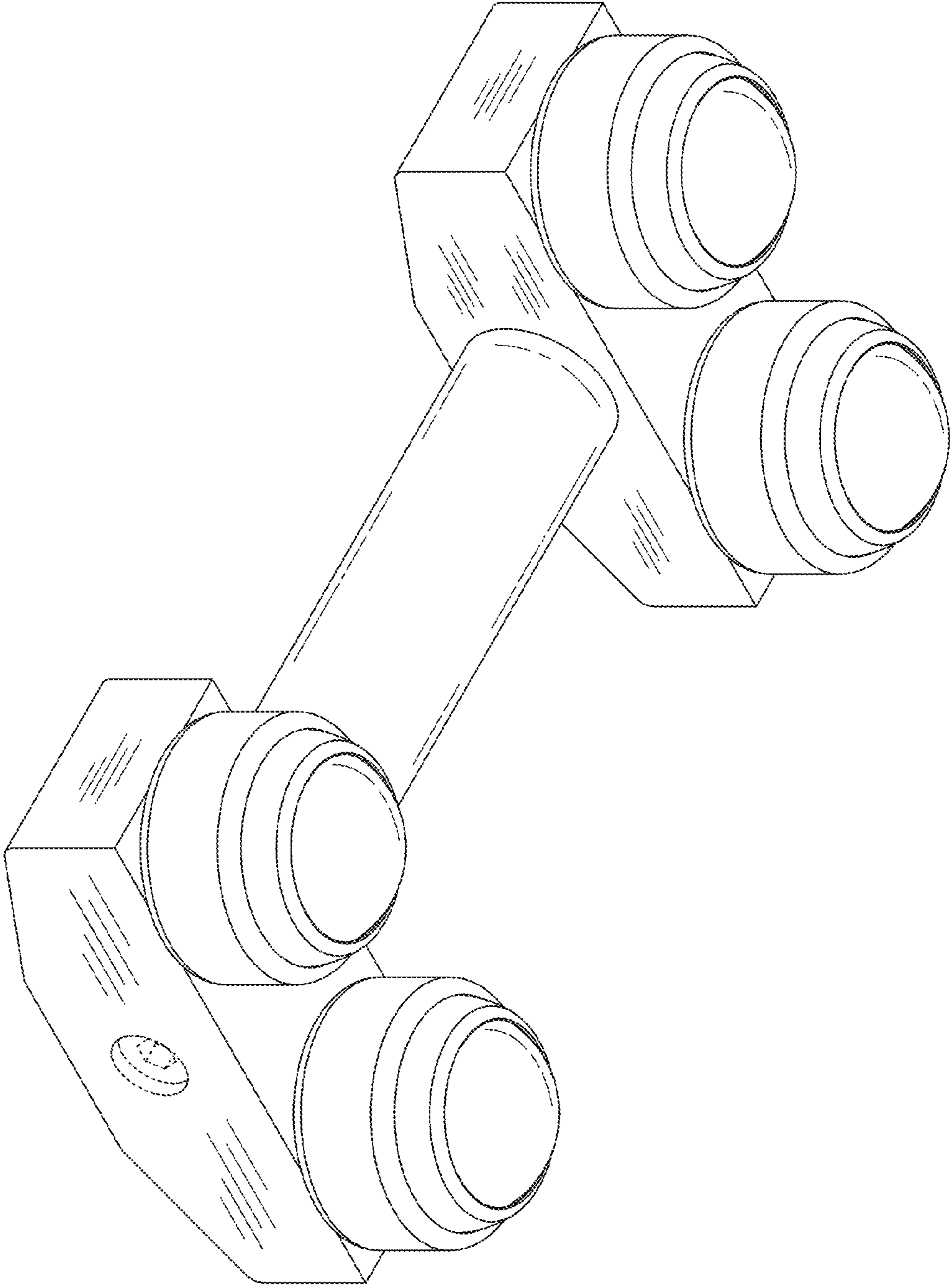


FIG. 2

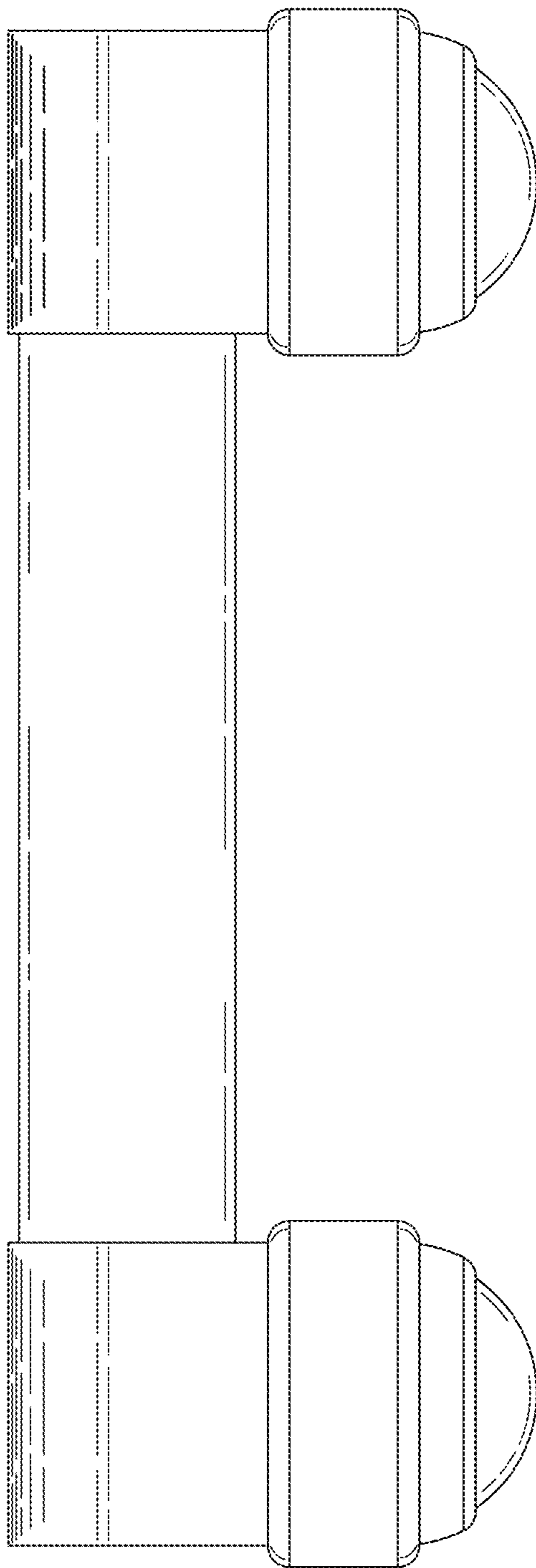


FIG. 3

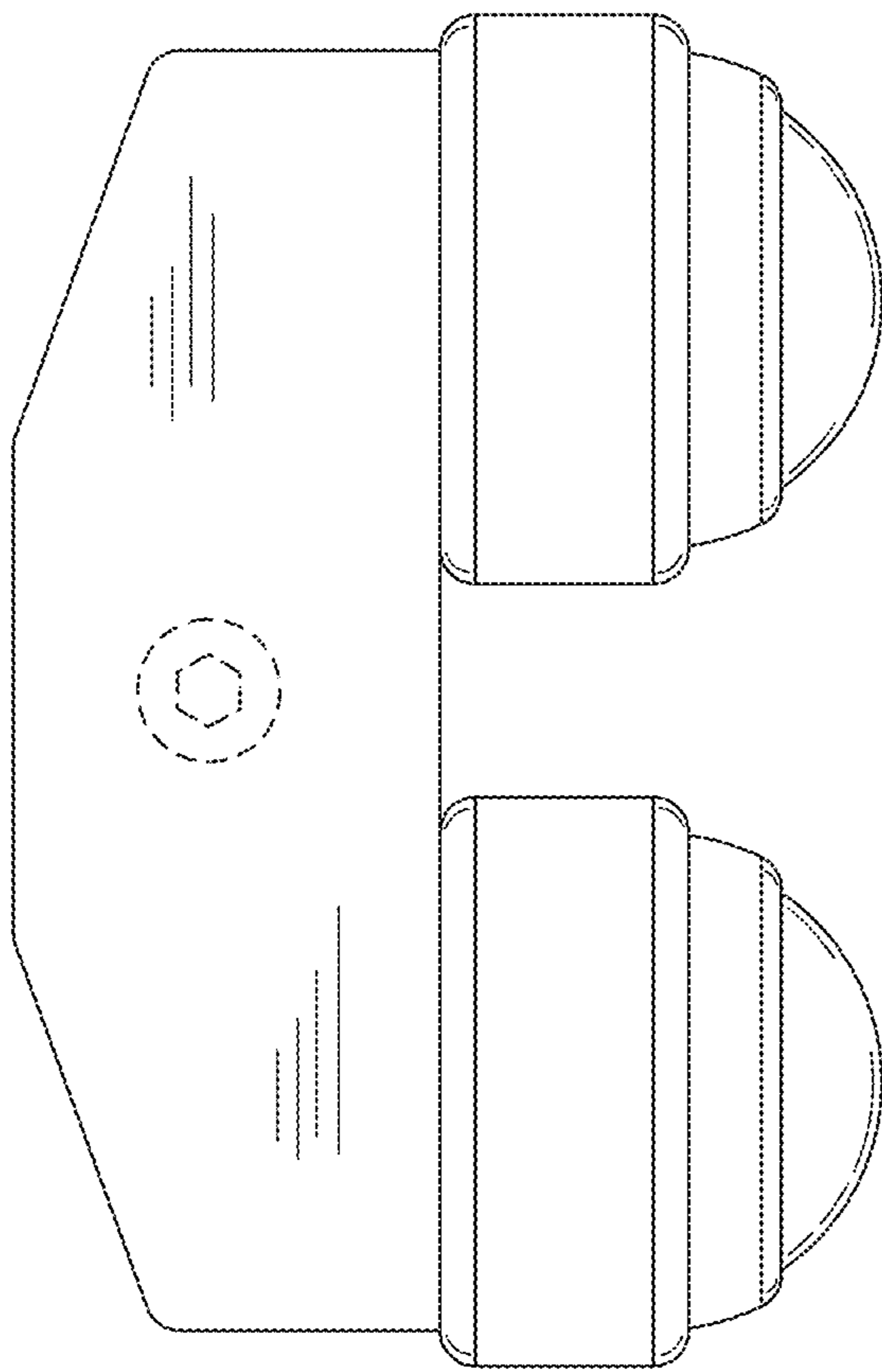


FIG. 4

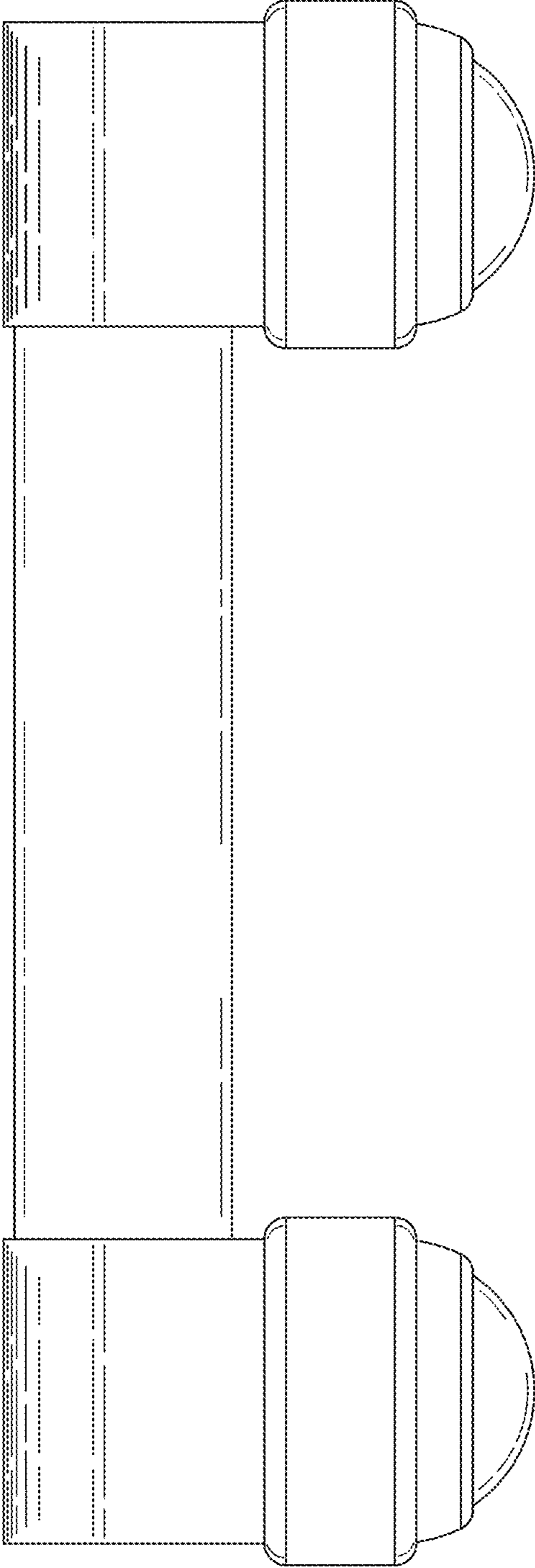


FIG. 5

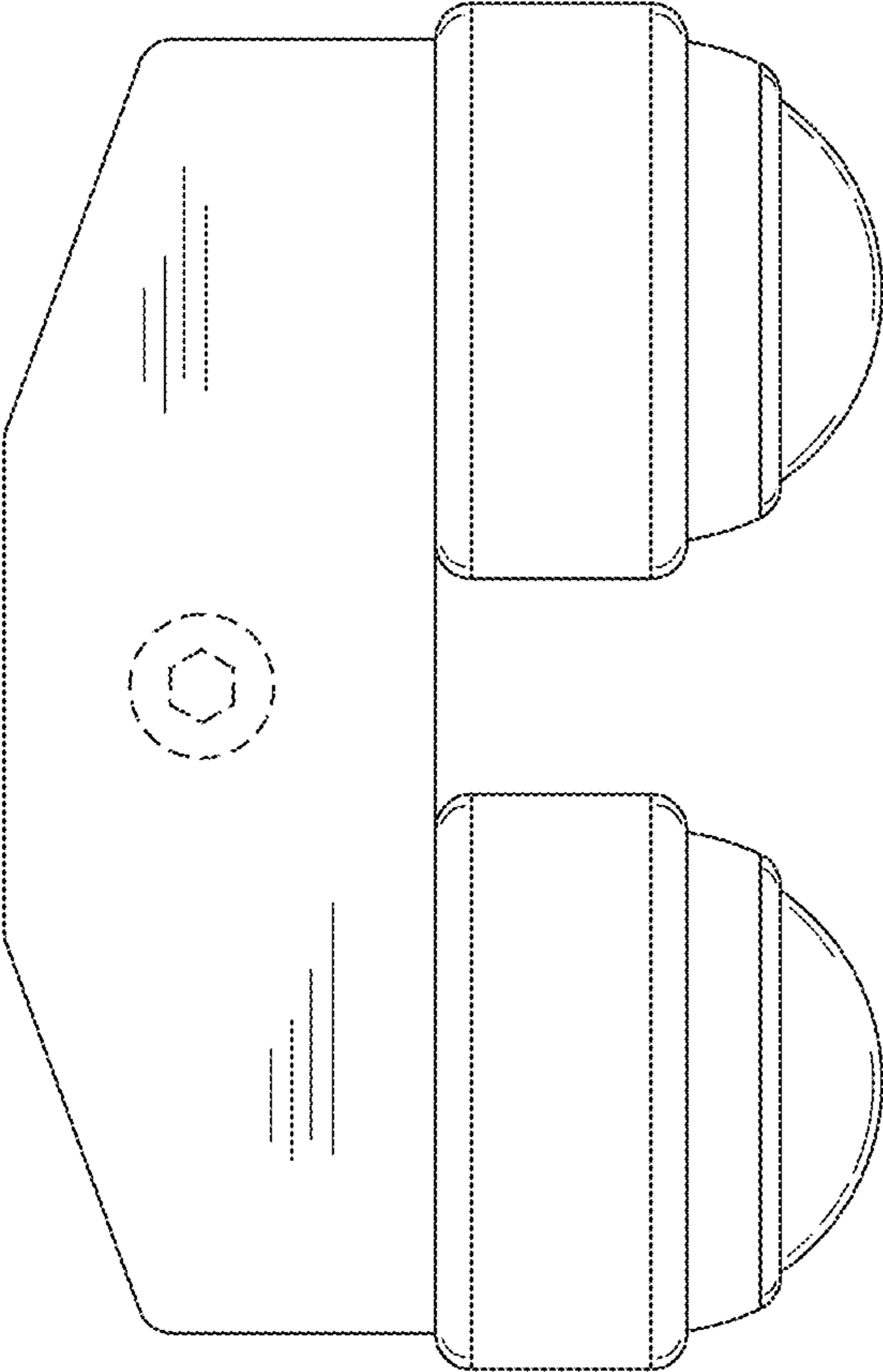


FIG. 6

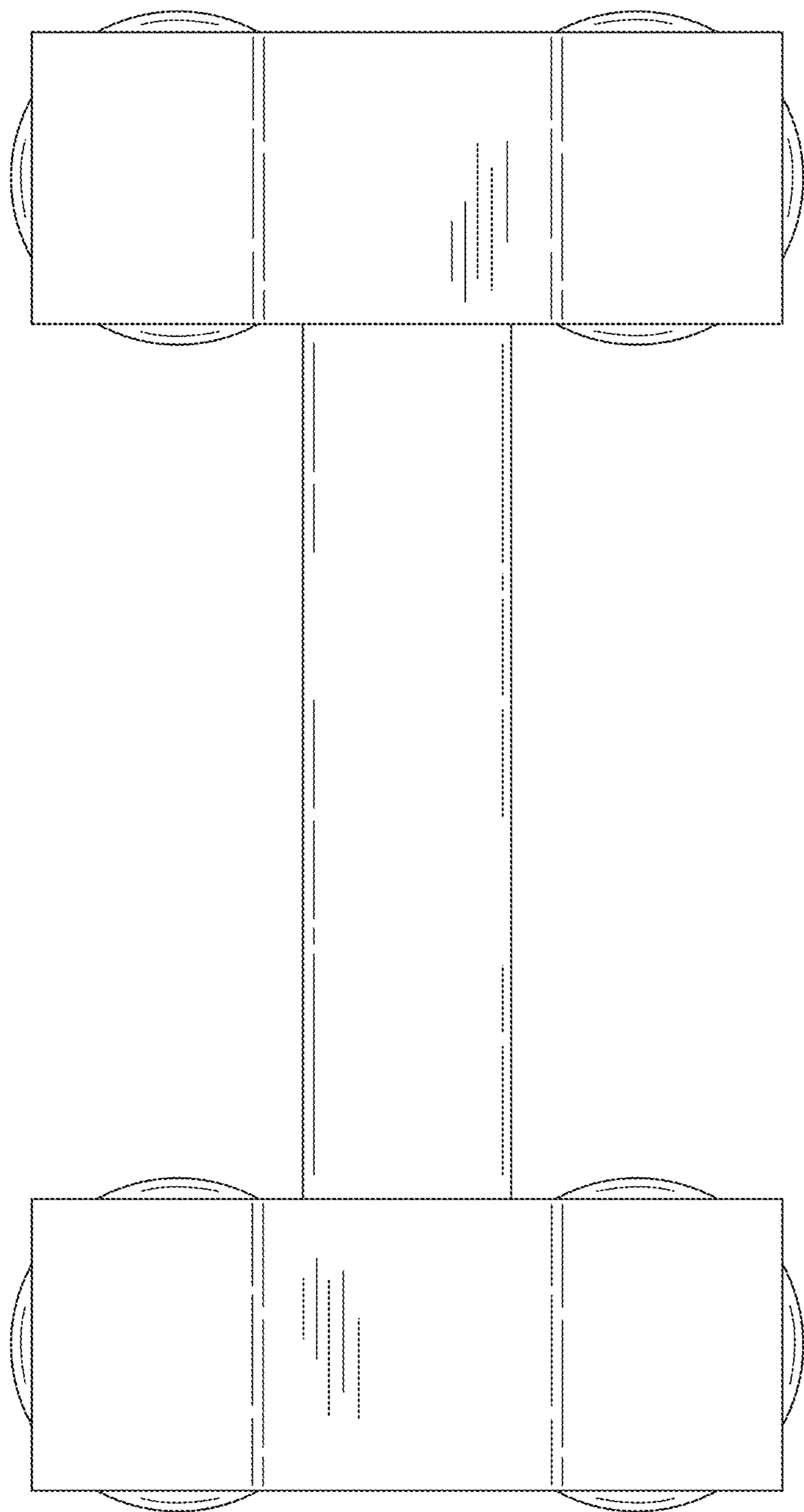


FIG. 7

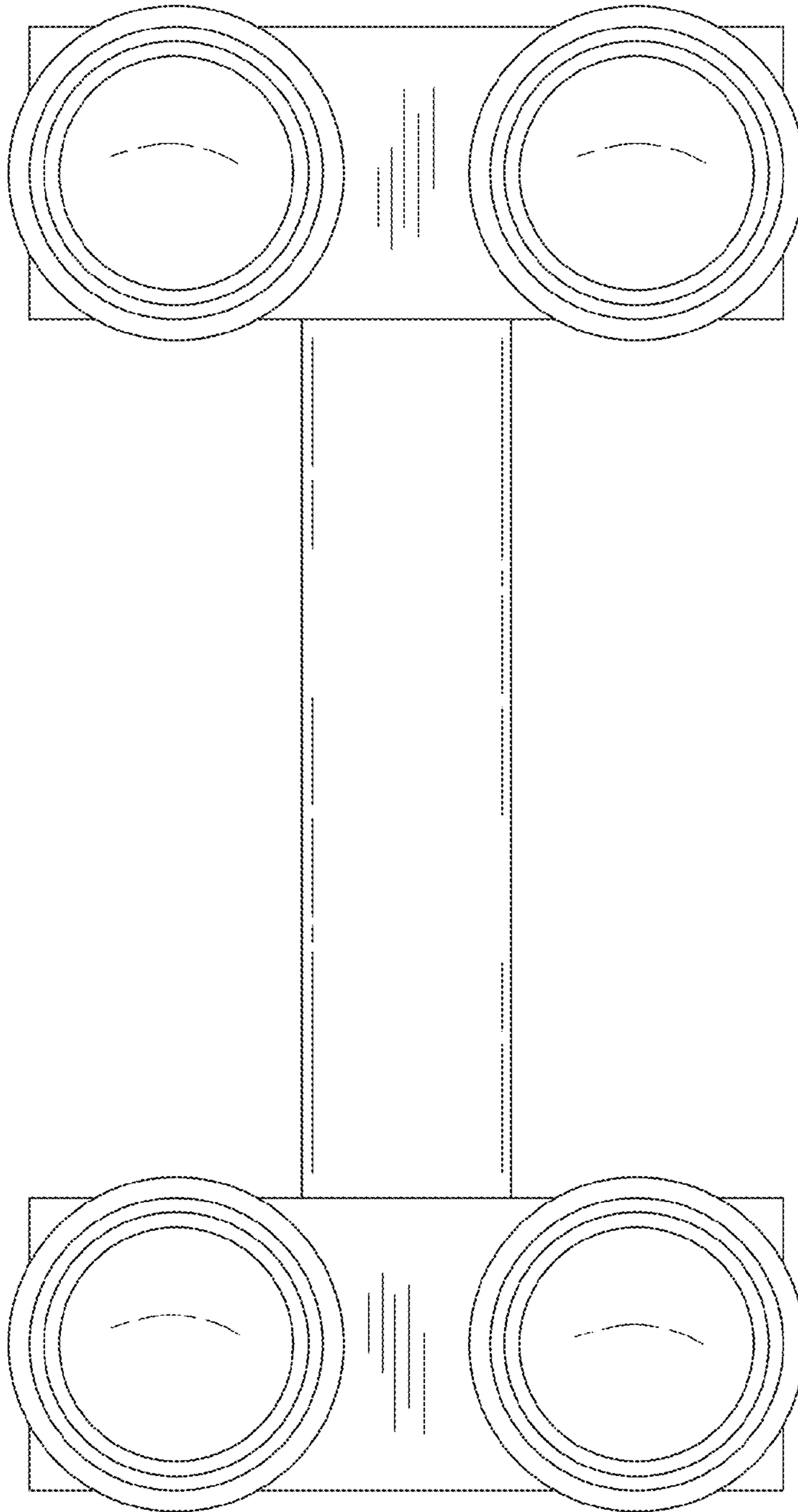


FIG. 8