

US00D695362S

(12) **United States Design Patent**
Mimlitch, III et al.

(10) **Patent No.:** **US D695,362 S**
(45) **Date of Patent:** **** Dec. 10, 2013**

- (54) **TOY FIGURE**
- (71) Applicant: **Innovation First, Inc.**, Greenville, TX (US)
- (72) Inventors: **Robert H. Mimlitch, III**, Rowlett, TX (US); **David A. Norman**, Greenville, TX (US); **Douglas Michael Galletti**, Allen, TX (US); **Jeffrey Russell Waegelin**, Rockwall, TX (US); **Gregory Needel**, Rockwall, TX (US); **Raul Olivera**, Greenville, TX (US)
- (73) Assignee: **Innovation First, Inc.**, Greenville, TX (US)
- (**) Term: **14 Years**
- (21) Appl. No.: **29/459,751**
- (22) Filed: **Jul. 3, 2013**

6,866,557 B2 3/2005 Randall
 D507,606 S 7/2005 Nakase
 D555,213 S 11/2007 Bowen et al.
 D583,882 S 12/2008 Domingues

Primary Examiner — Sandra Morris
 (74) *Attorney, Agent, or Firm* — Adam K. Sacharoff

(57) **CLAIM**
 The ornamental design for a toy figure, as shown and described.

DESCRIPTION

FIG. 1 is a front top perspective view showing a first embodiment of the toy figure;
 FIG. 2 is a back top perspective view of FIG. 1;
 FIG. 3 is a bottom left side perspective view of FIG. 1;
 FIG. 4 is a bottom right side perspective view of FIG. 1;
 FIG. 5 is a top side view of FIG. 1;
 FIG. 6 is a bottom side view of FIG. 1;
 FIG. 7 is a front side view of FIG. 1;
 FIG. 8 is a back side view of FIG. 1;
 FIG. 9 is a left side view of FIG. 1;
 FIG. 10 is a right side view of FIG. 1;
 FIG. 11 is a front top perspective view showing a second embodiment of the toy figure illustrating a top section of the toy figure;
 FIG. 12 is a back top perspective view of FIG. 11;
 FIG. 13 is a bottom left side perspective view of FIG. 11;
 FIG. 14 is a bottom right side perspective view of FIG. 11;
 FIG. 15 is a top side view of FIG. 11;
 FIG. 16 is a bottom side view of FIG. 11;
 FIG. 17 is a front side view of FIG. 11;
 FIG. 18 is a back side view of FIG. 11;
 FIG. 19 is a left side view of FIG. 11; and,
 FIG. 20 is a right side view of FIG. 11.

Related U.S. Application Data

- (62) Division of application No. 29/426,508, filed on Jul. 6, 2012.
 - (51) **LOC (9) Cl.** **21-01**
 - (52) **U.S. Cl.**
 USPC **D21/578**; D21/650
 - (58) **Field of Classification Search**
 USPC D21/447, 524, 533, 576–585, 650;
 446/72, 97, 268–269, 321, 356,
 446/376–377, 487
- See application file for complete search history.

(56) **References Cited**

U.S. PATENT DOCUMENTS

D479,288 S 9/2003 Nakase
 6,652,352 B1 11/2003 MacArthur et al.

1 Claim, 20 Drawing Sheets

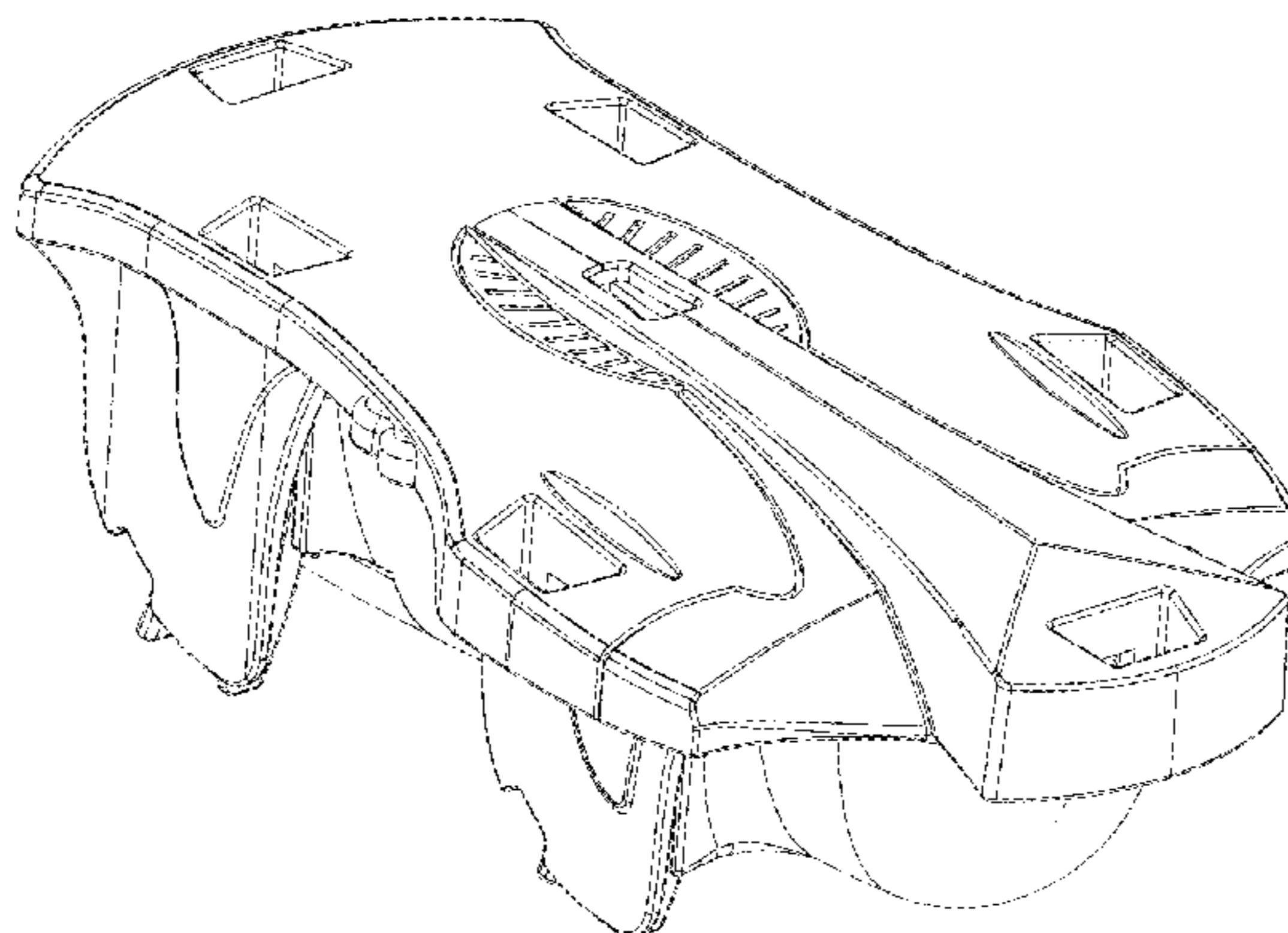


FIGURE 1

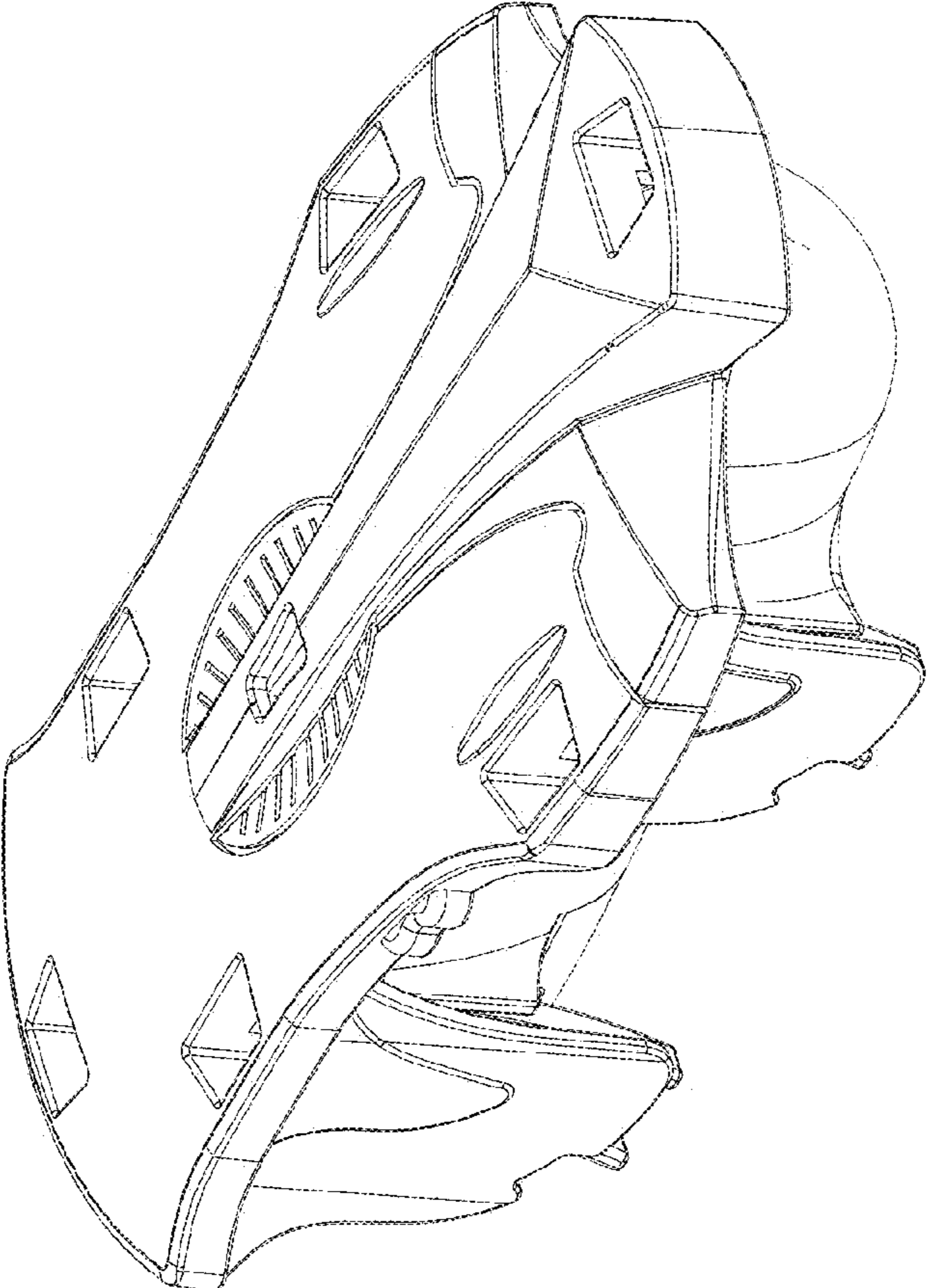


FIGURE 2

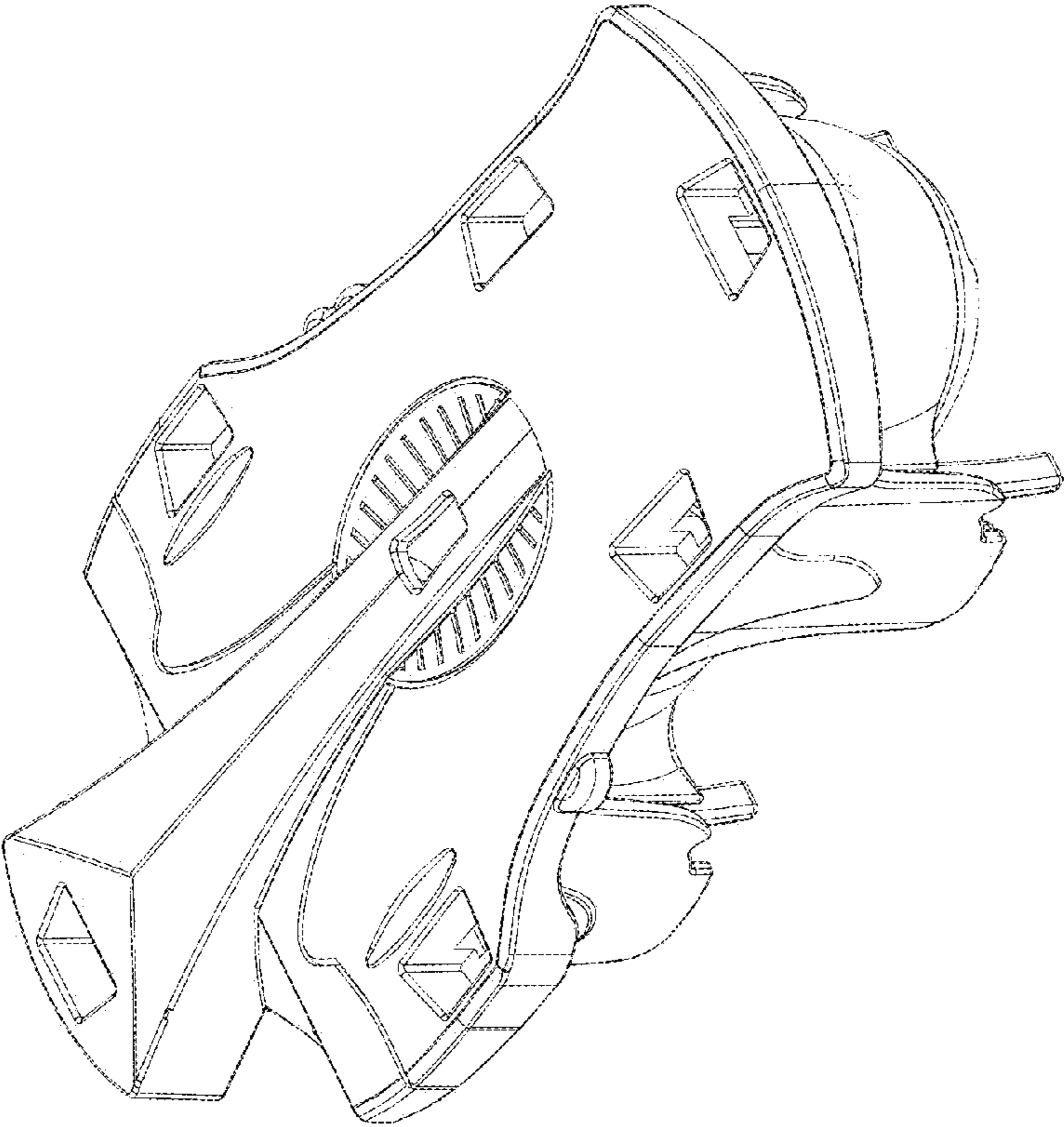


FIGURE 3

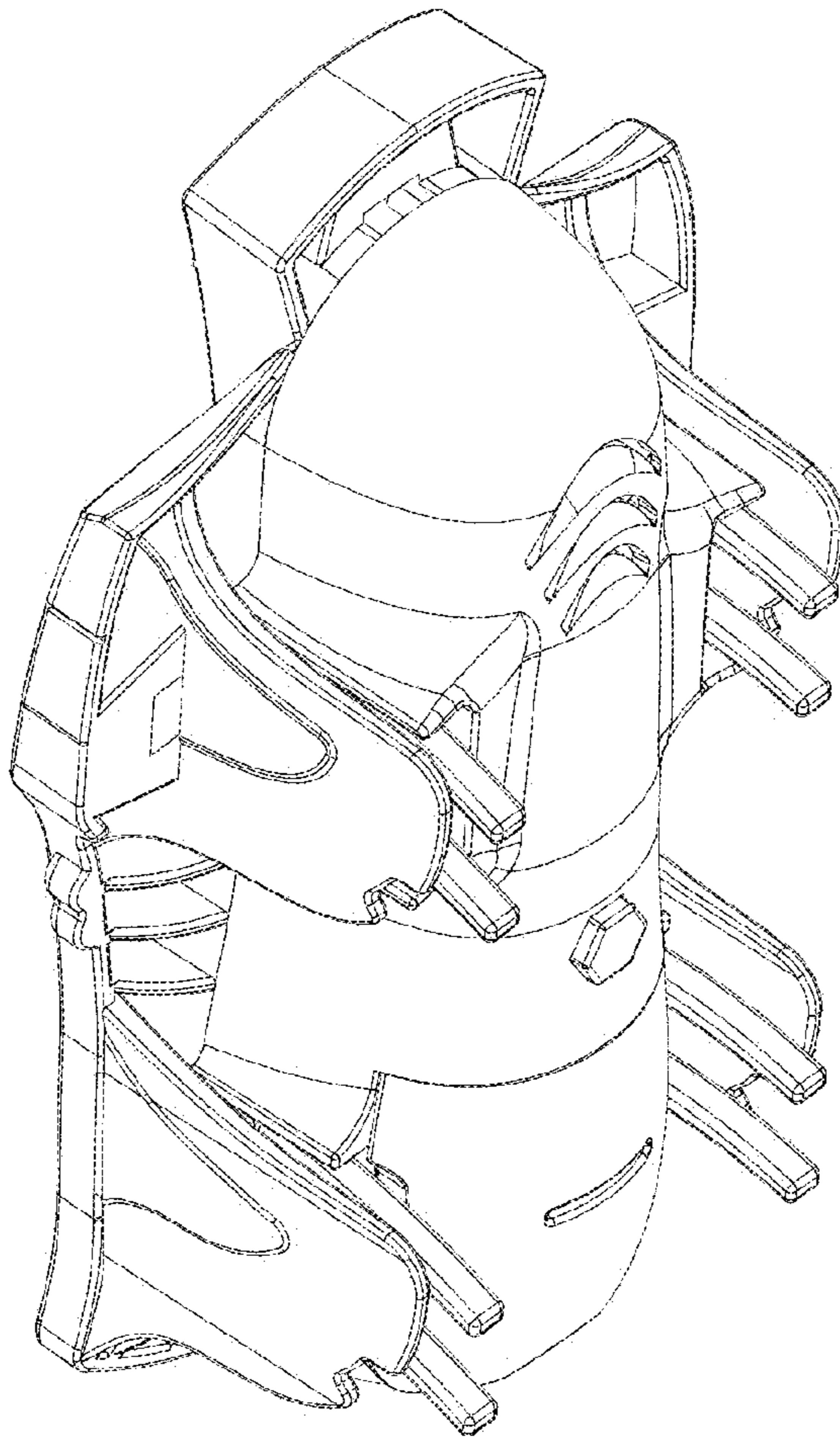


FIGURE 4

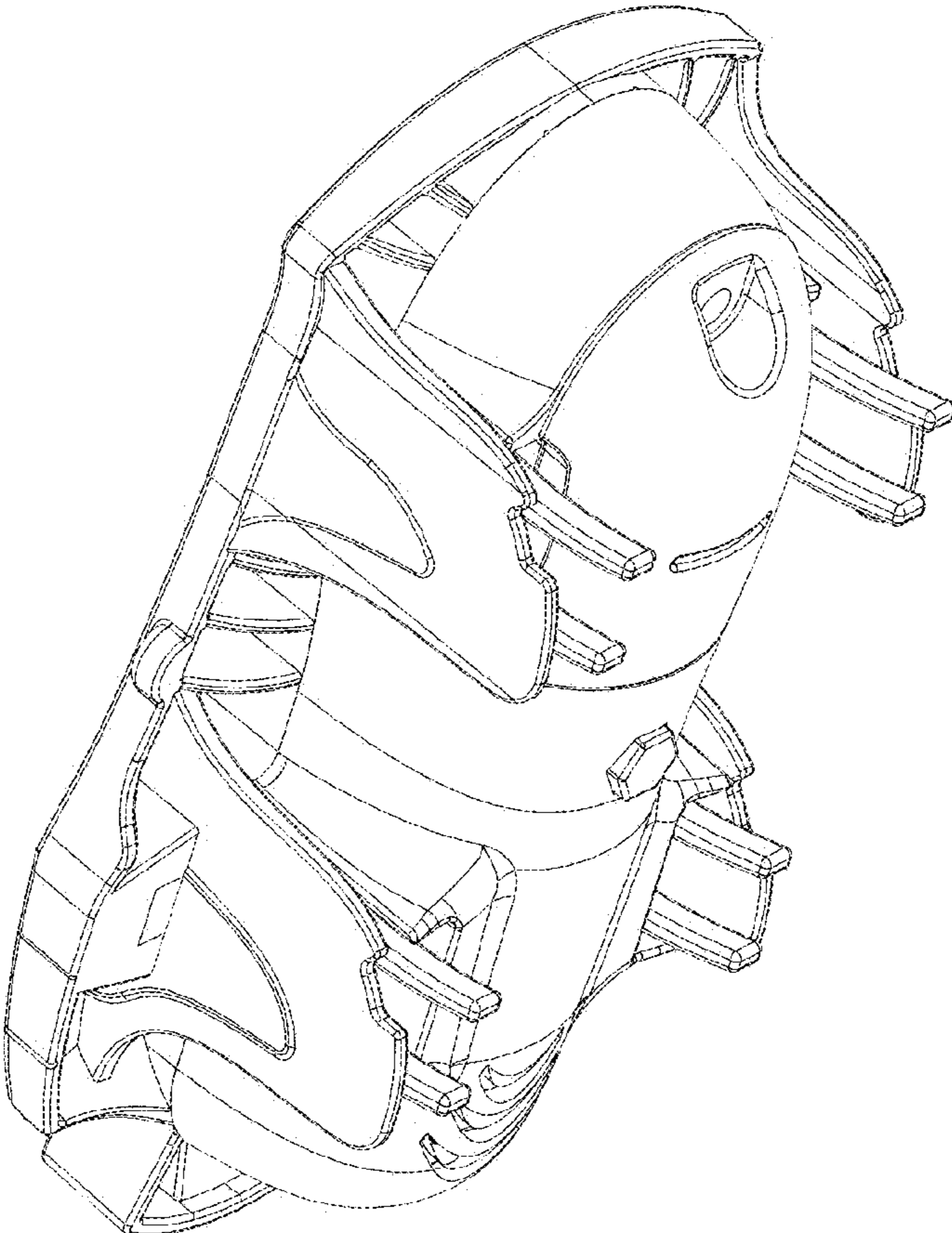


FIGURE 5

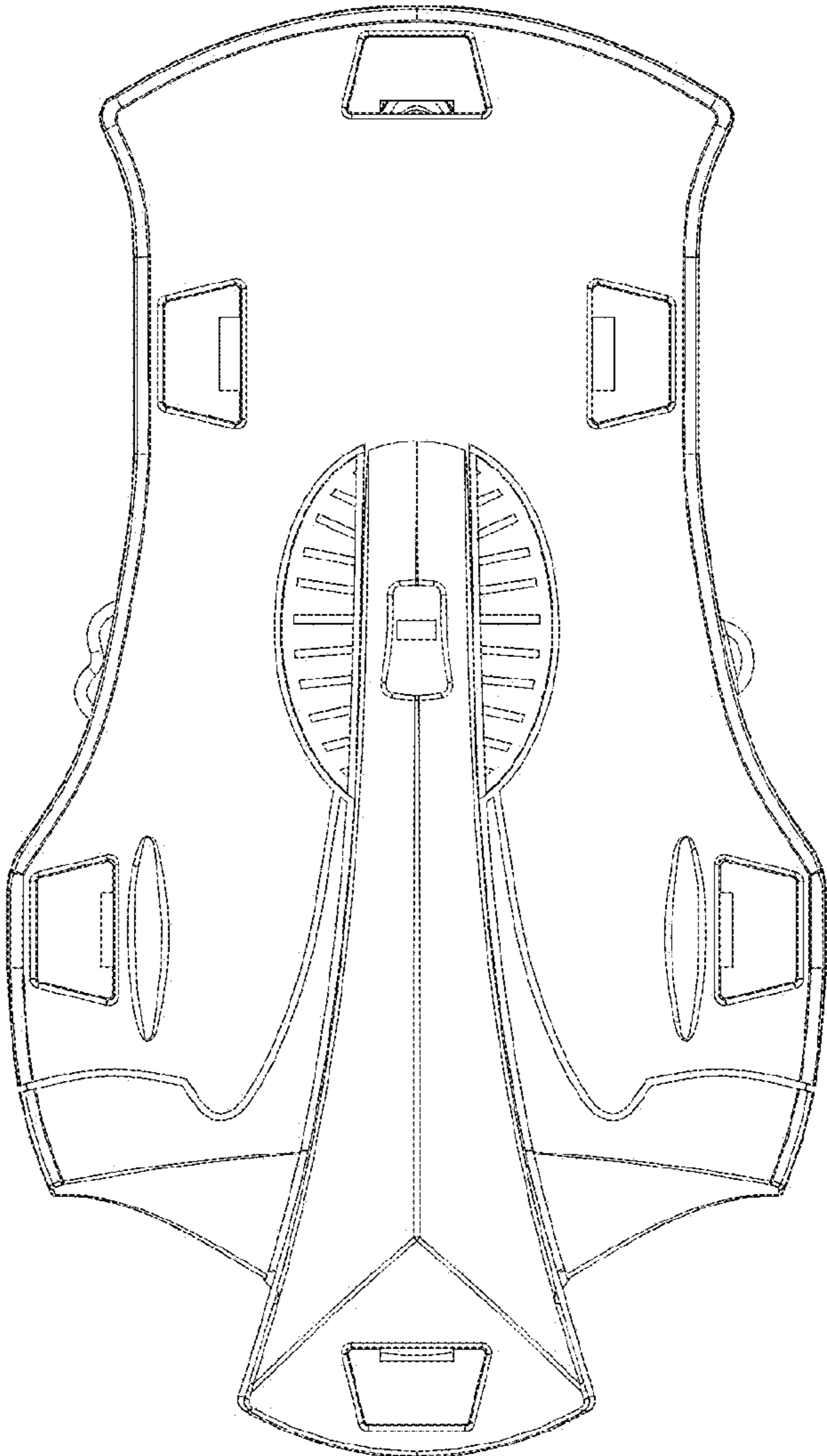


FIGURE 6

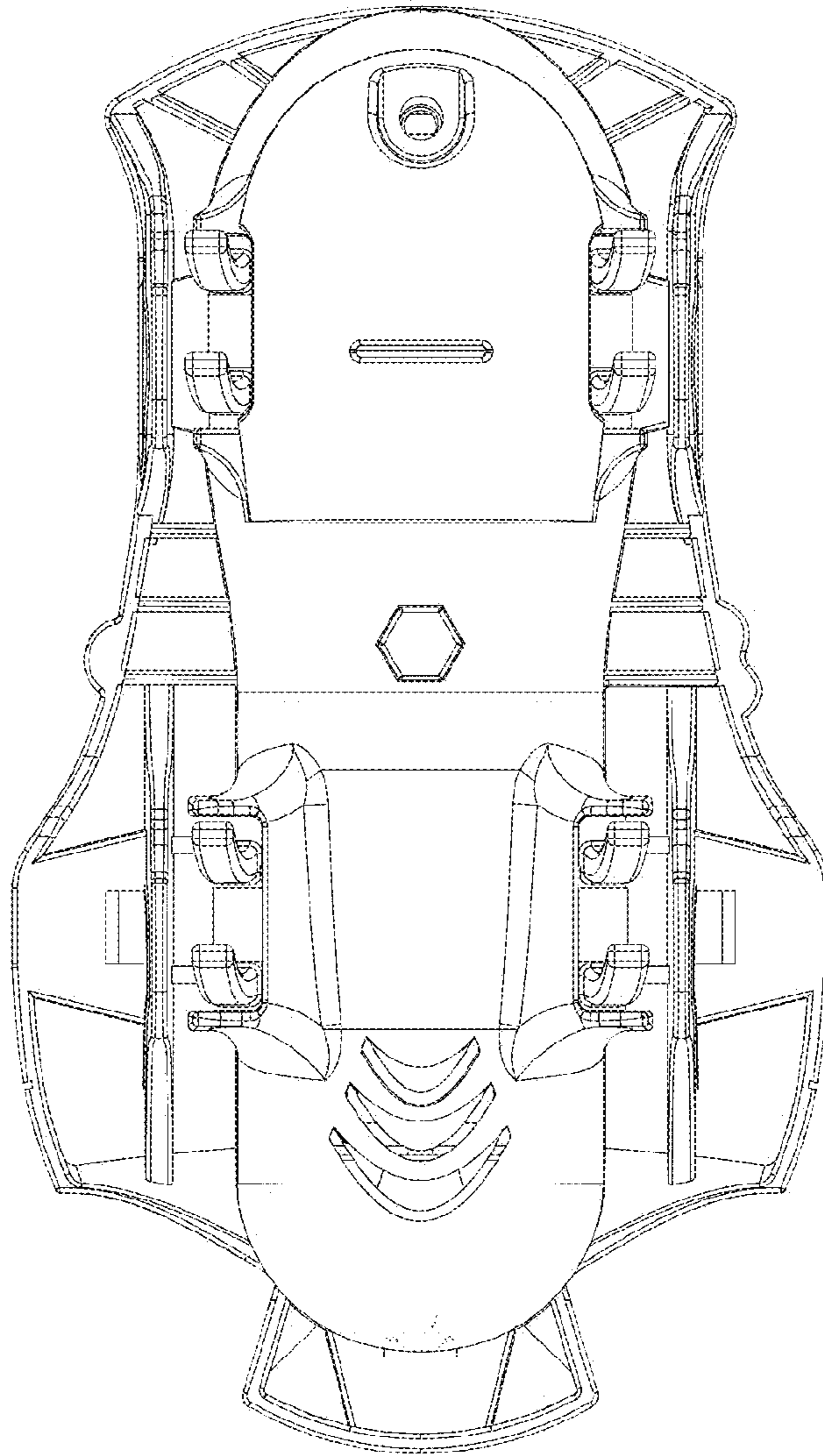


FIGURE 7

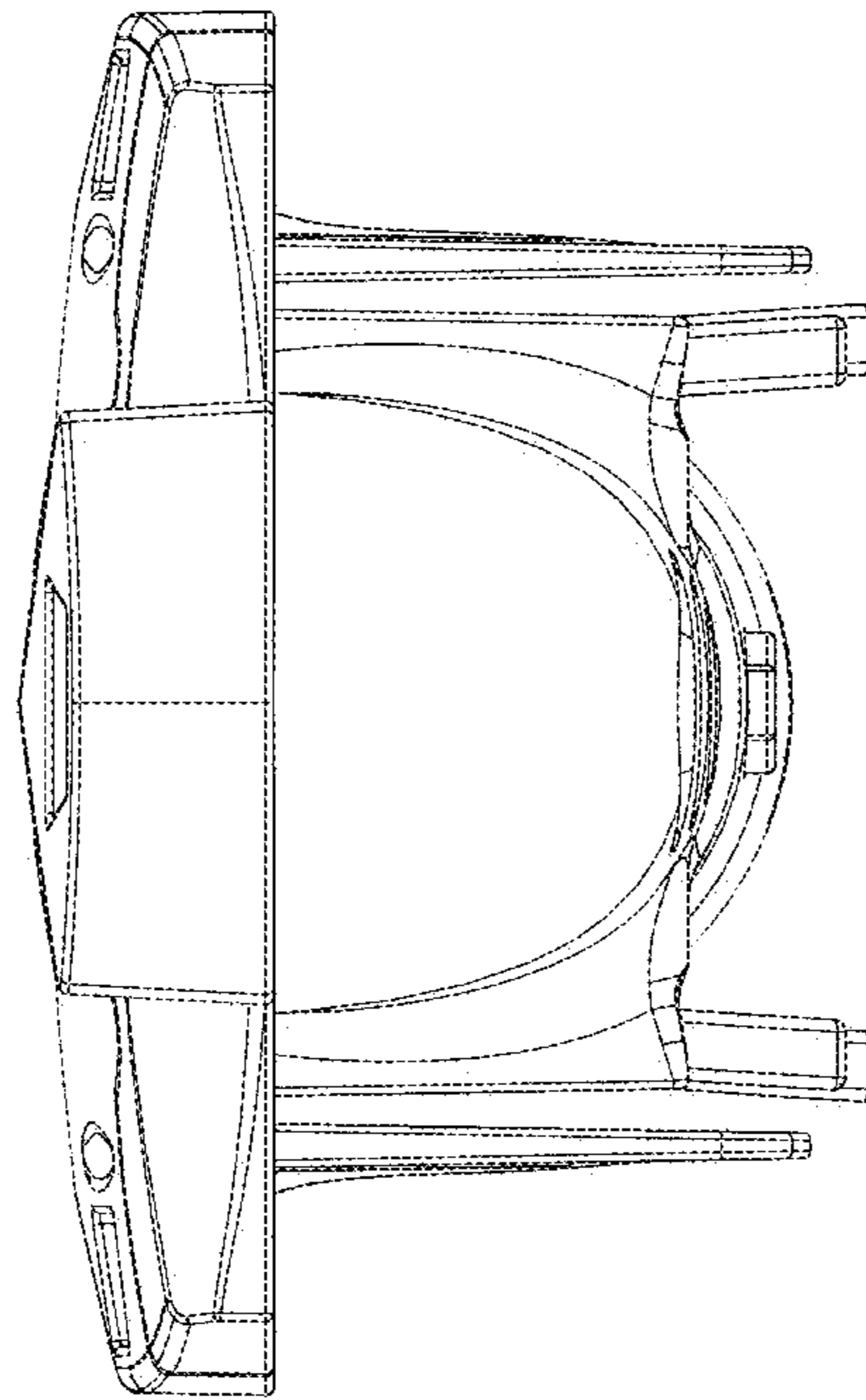


FIGURE 8

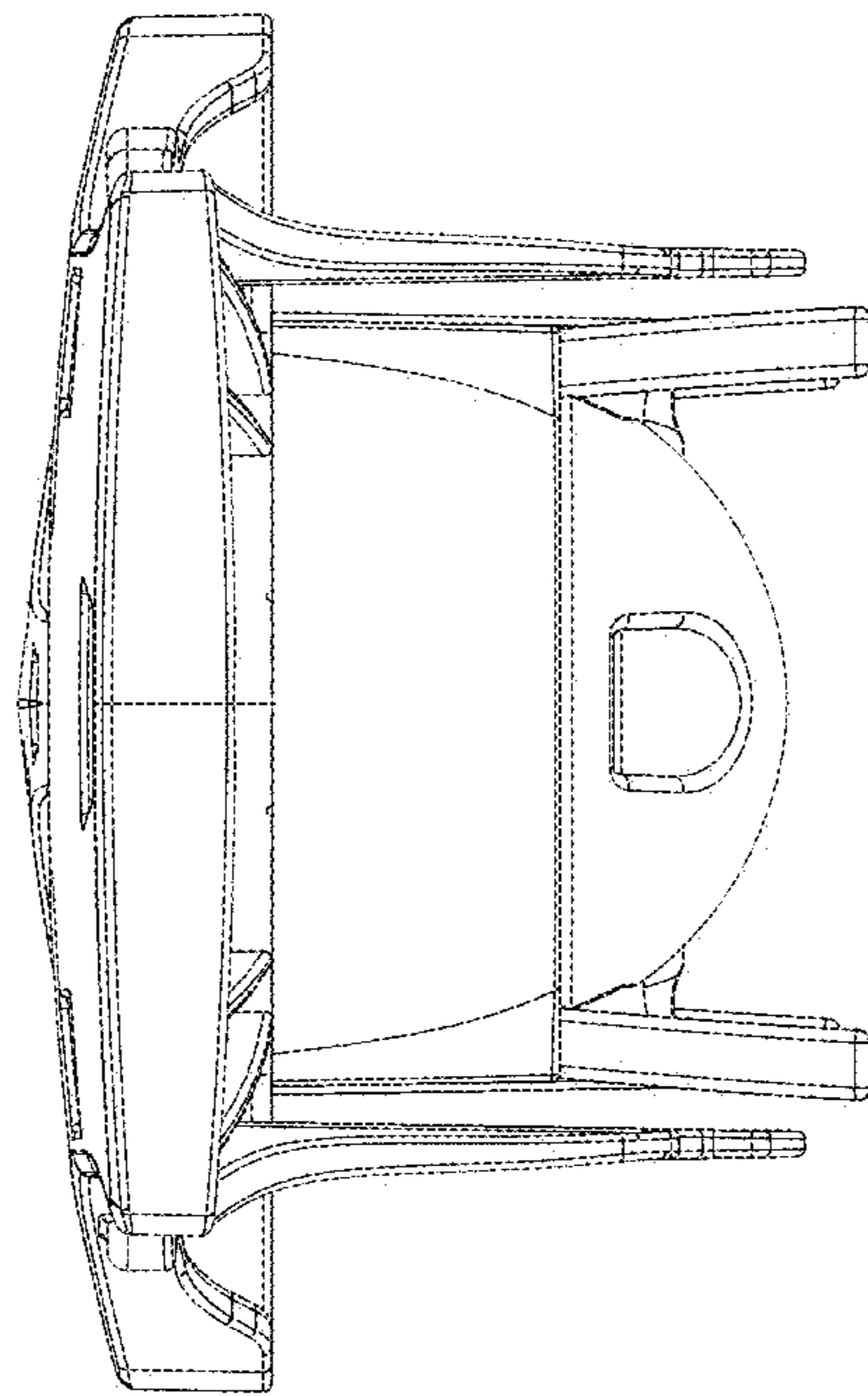


FIGURE 9

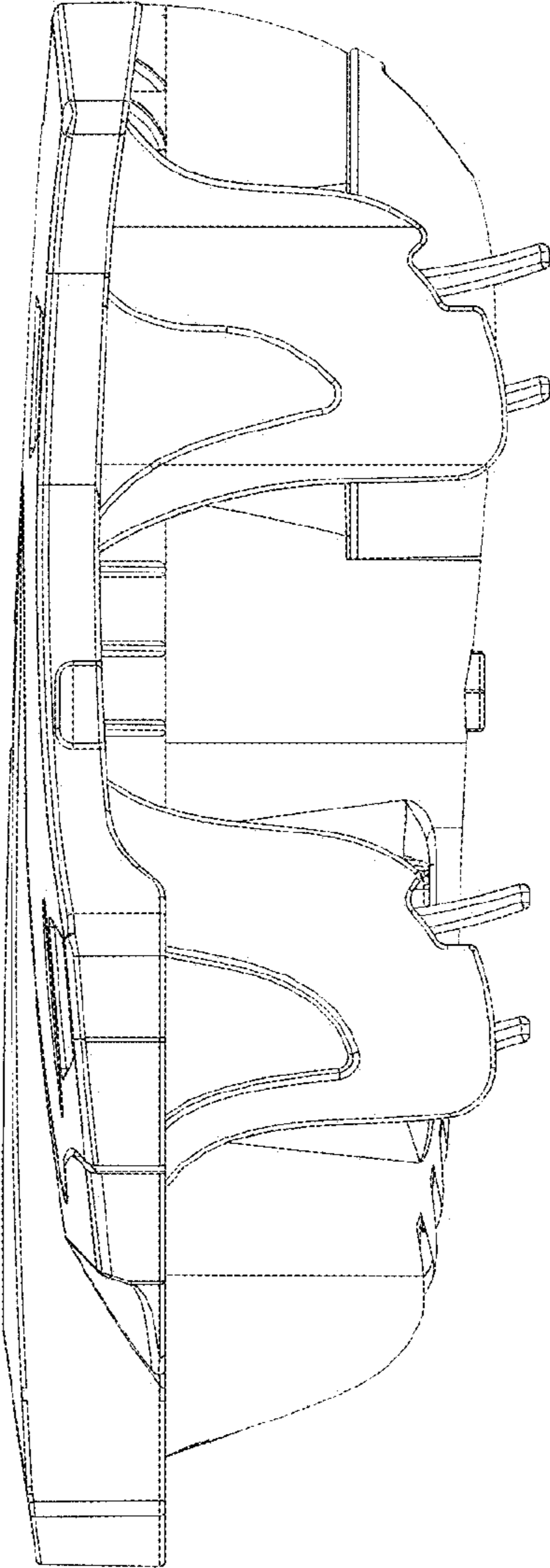


FIGURE 10

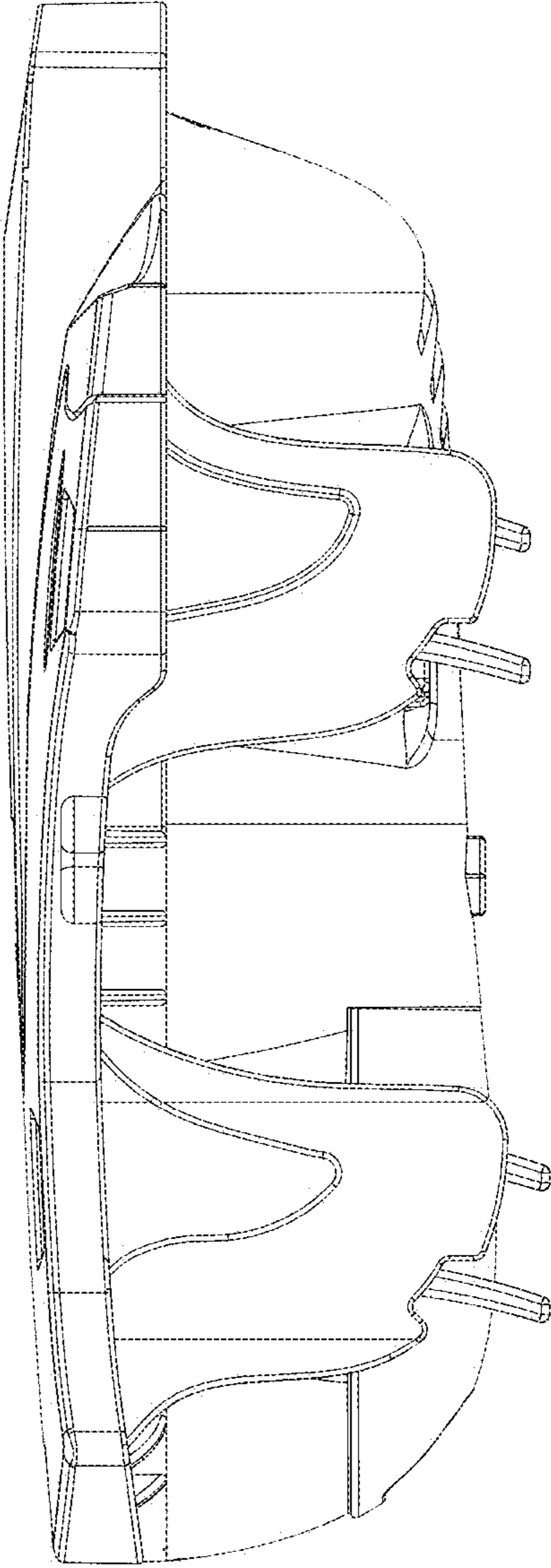


FIGURE 11

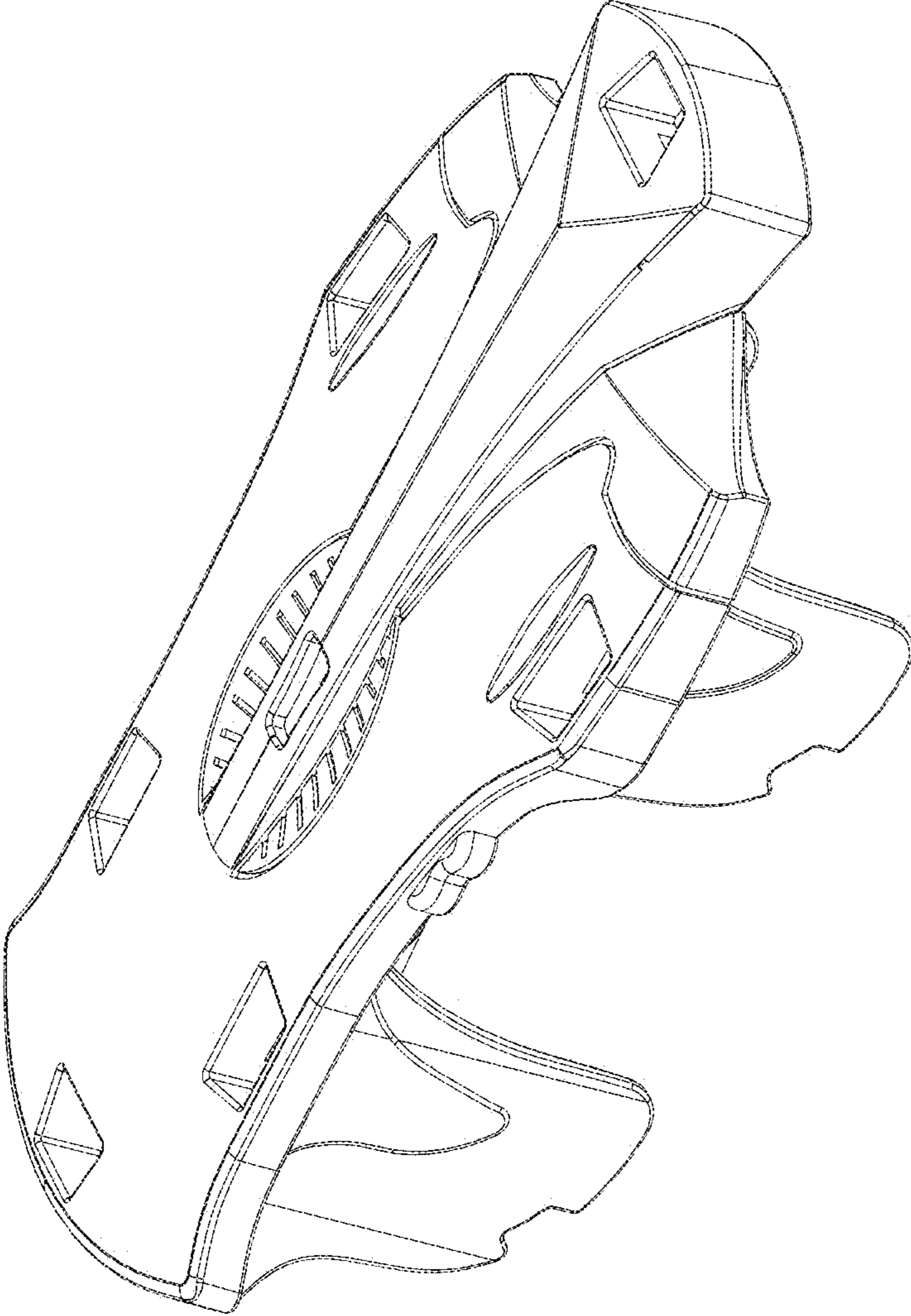


FIGURE 12

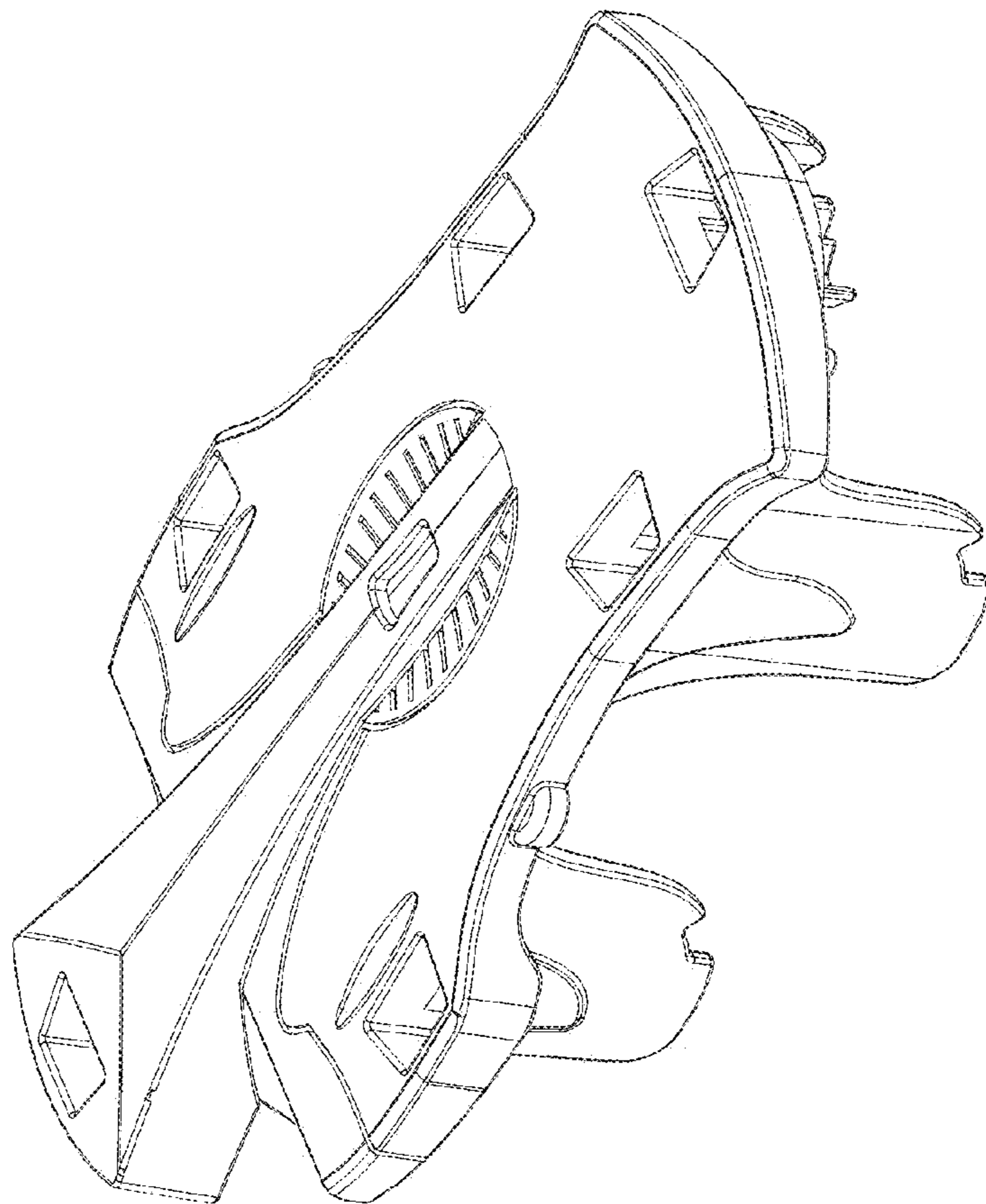


FIGURE 13

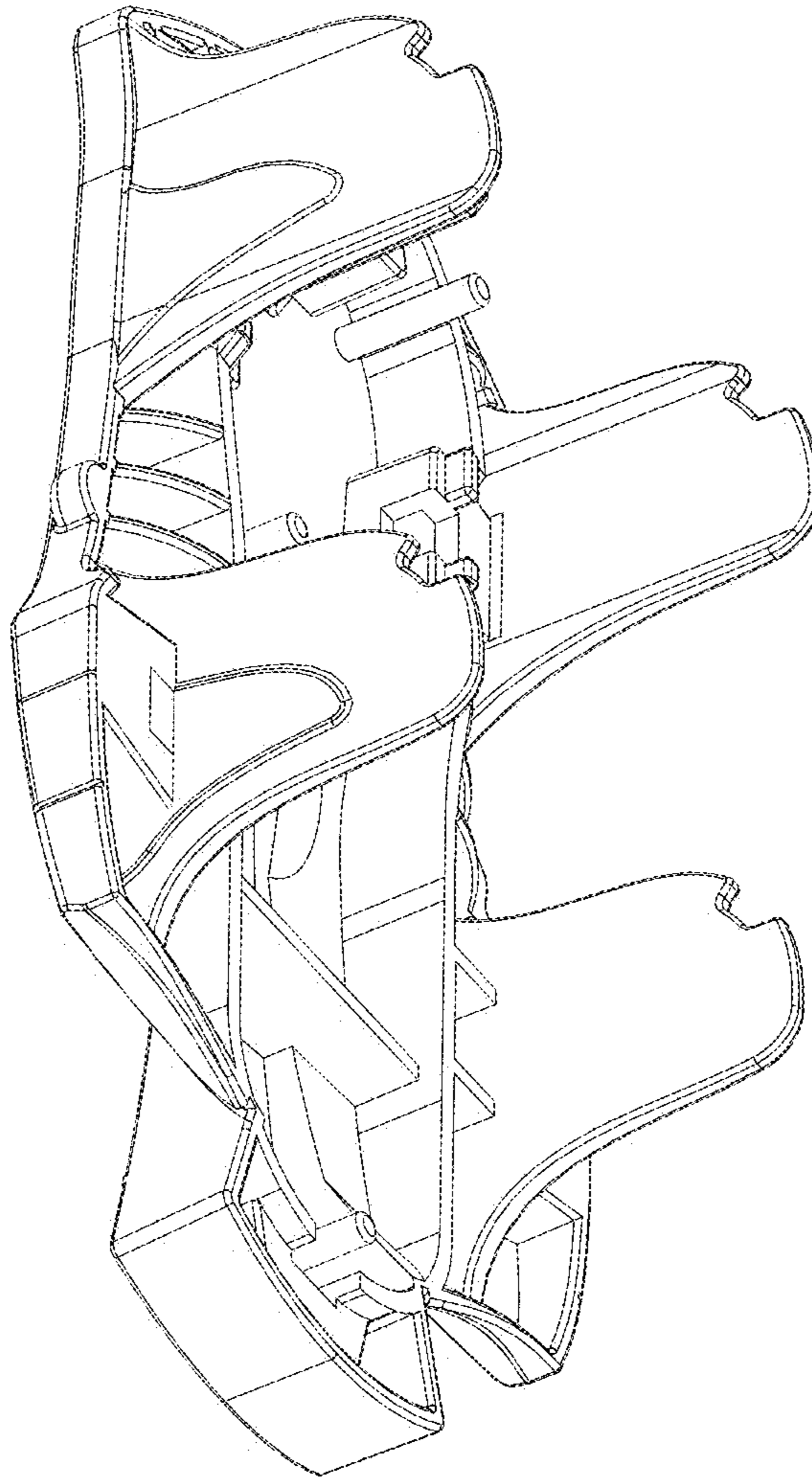


FIGURE 14

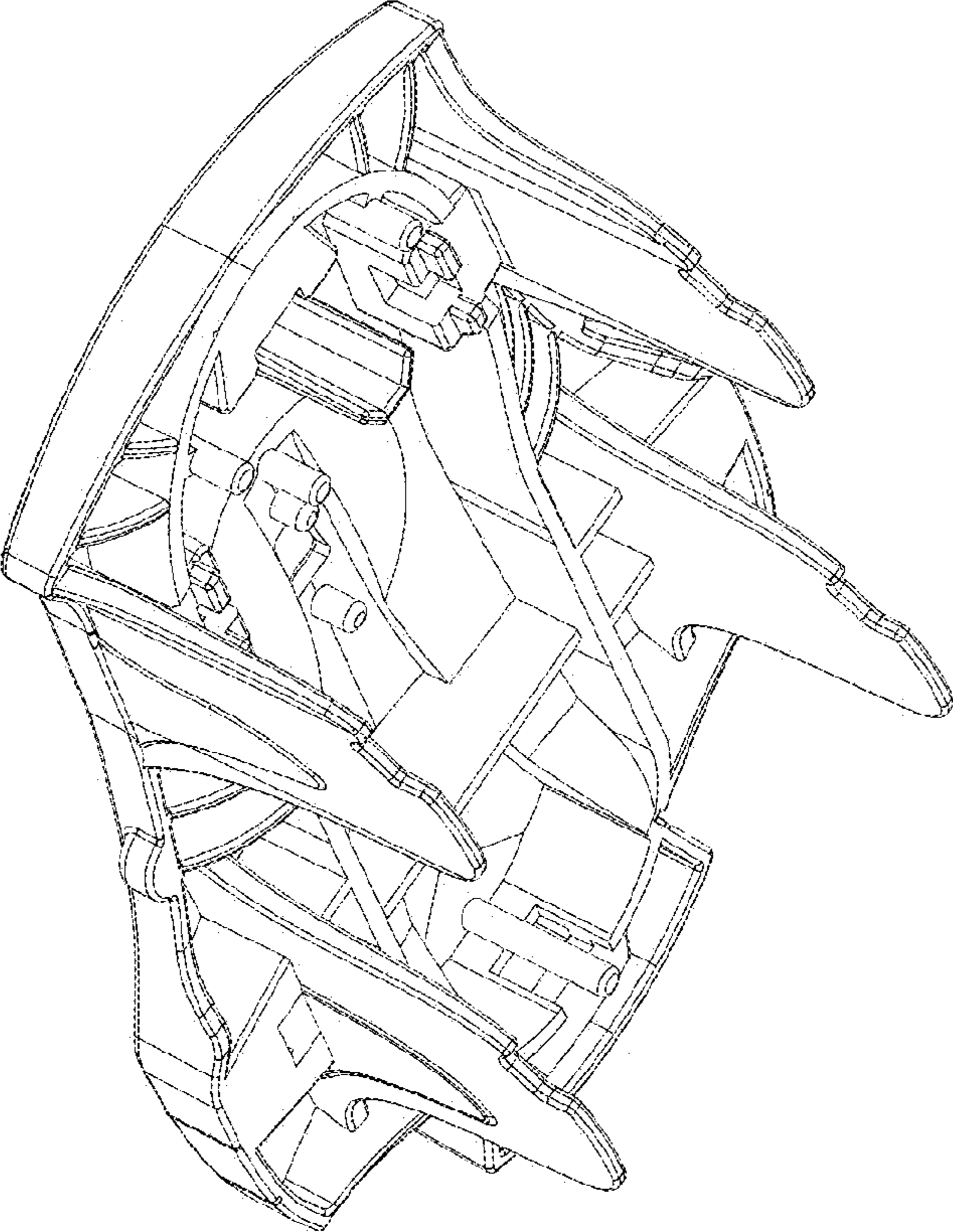


FIGURE 15

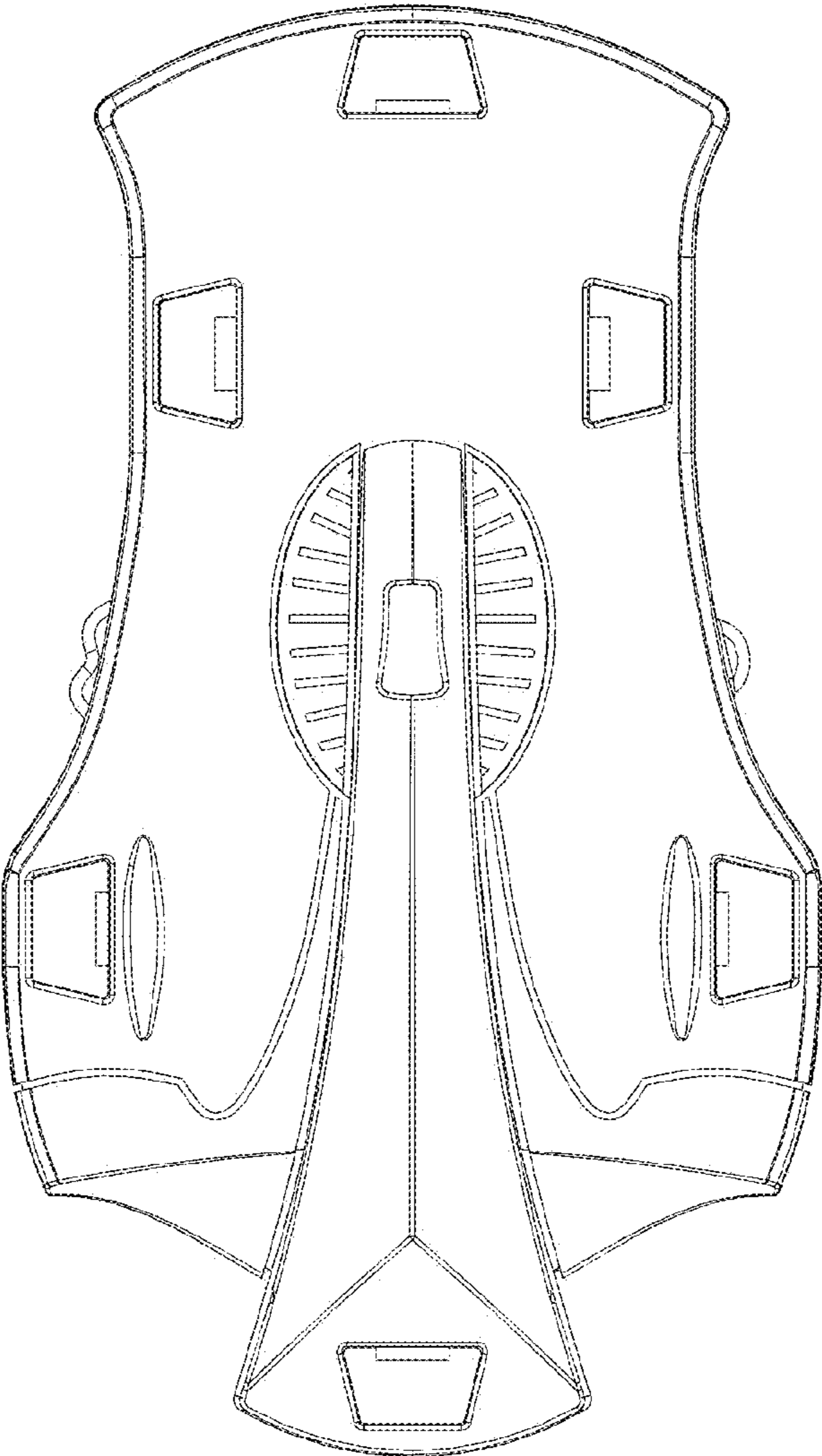


FIGURE 16

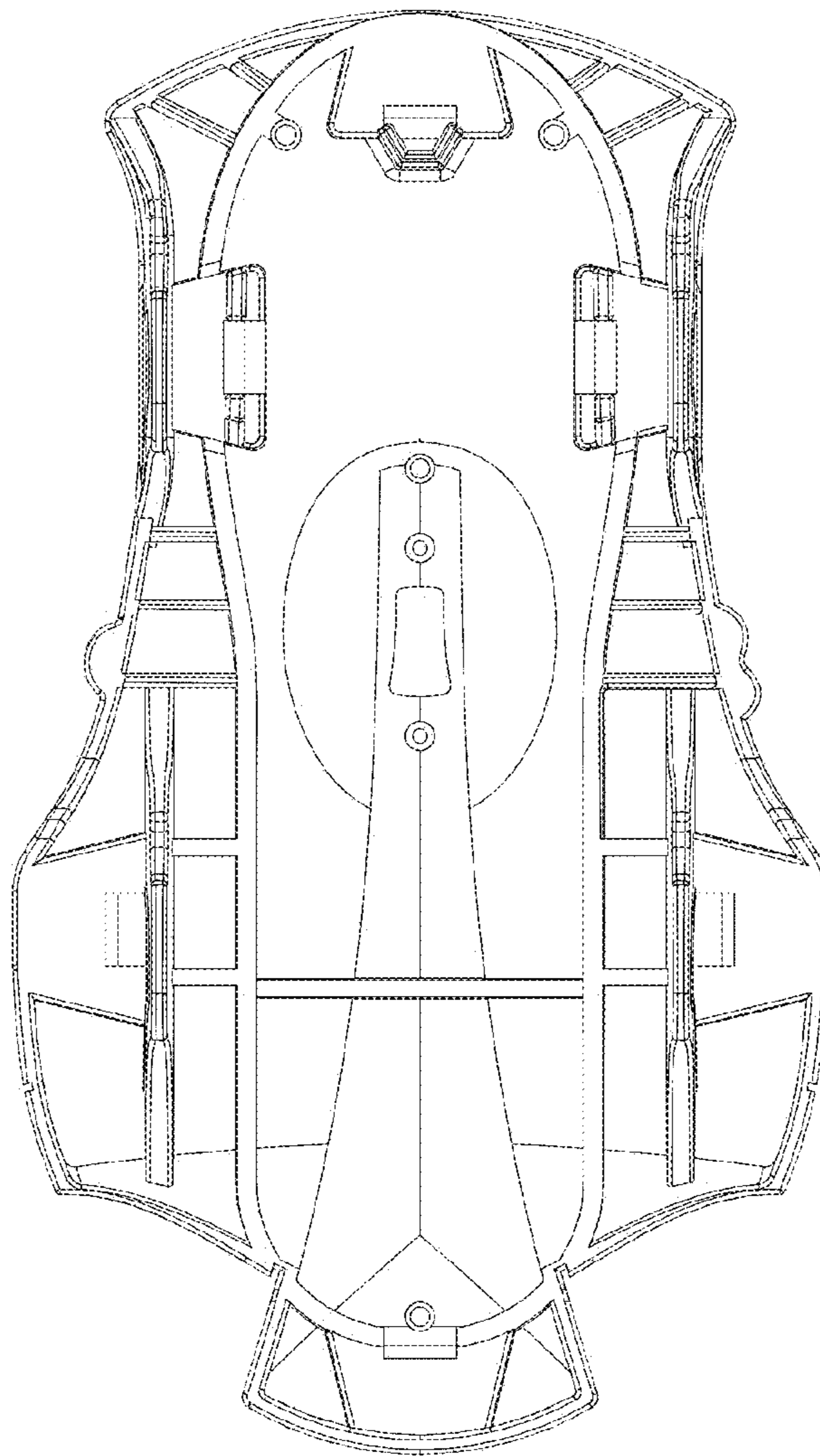


FIGURE 17

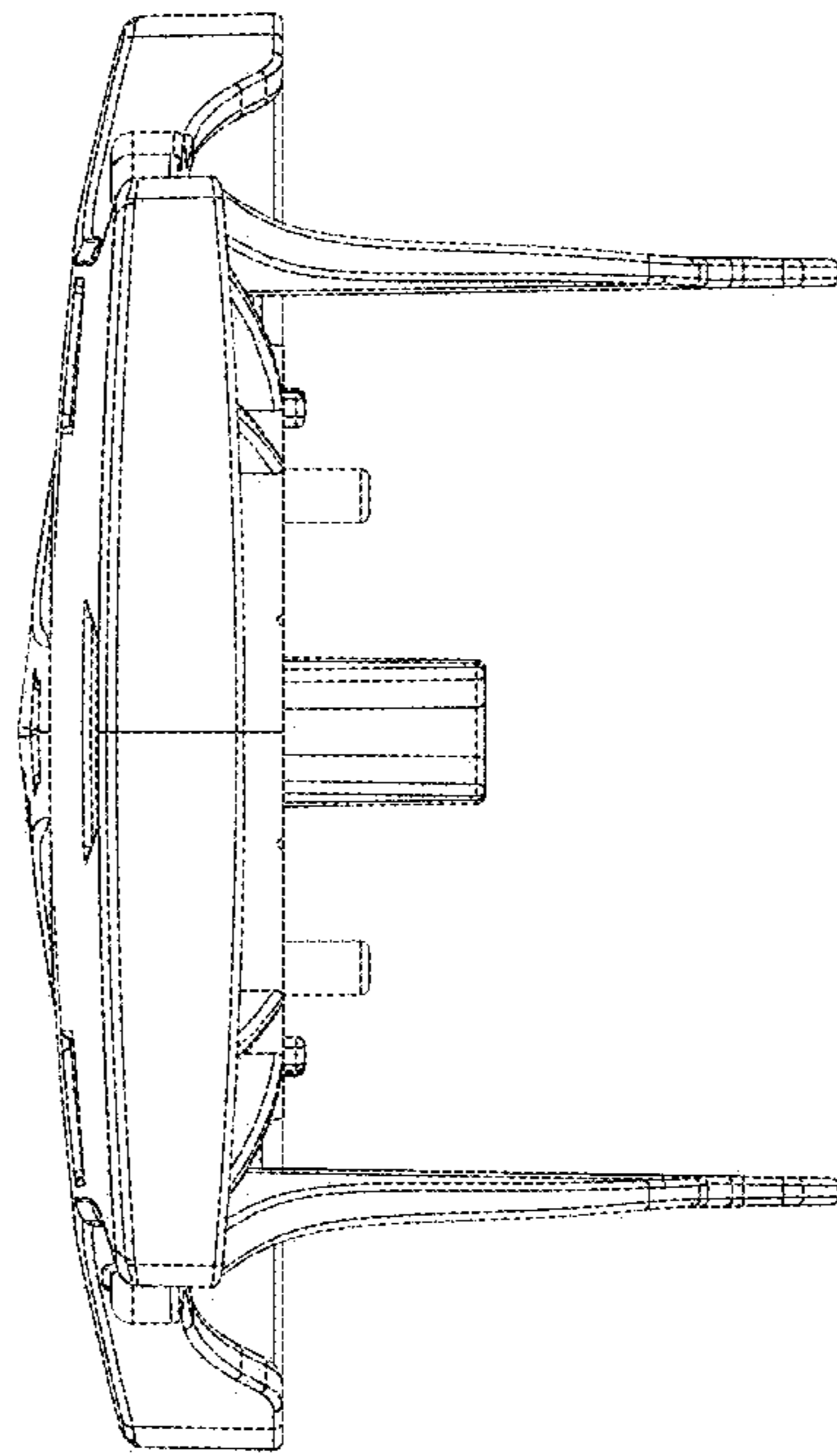


FIGURE 18

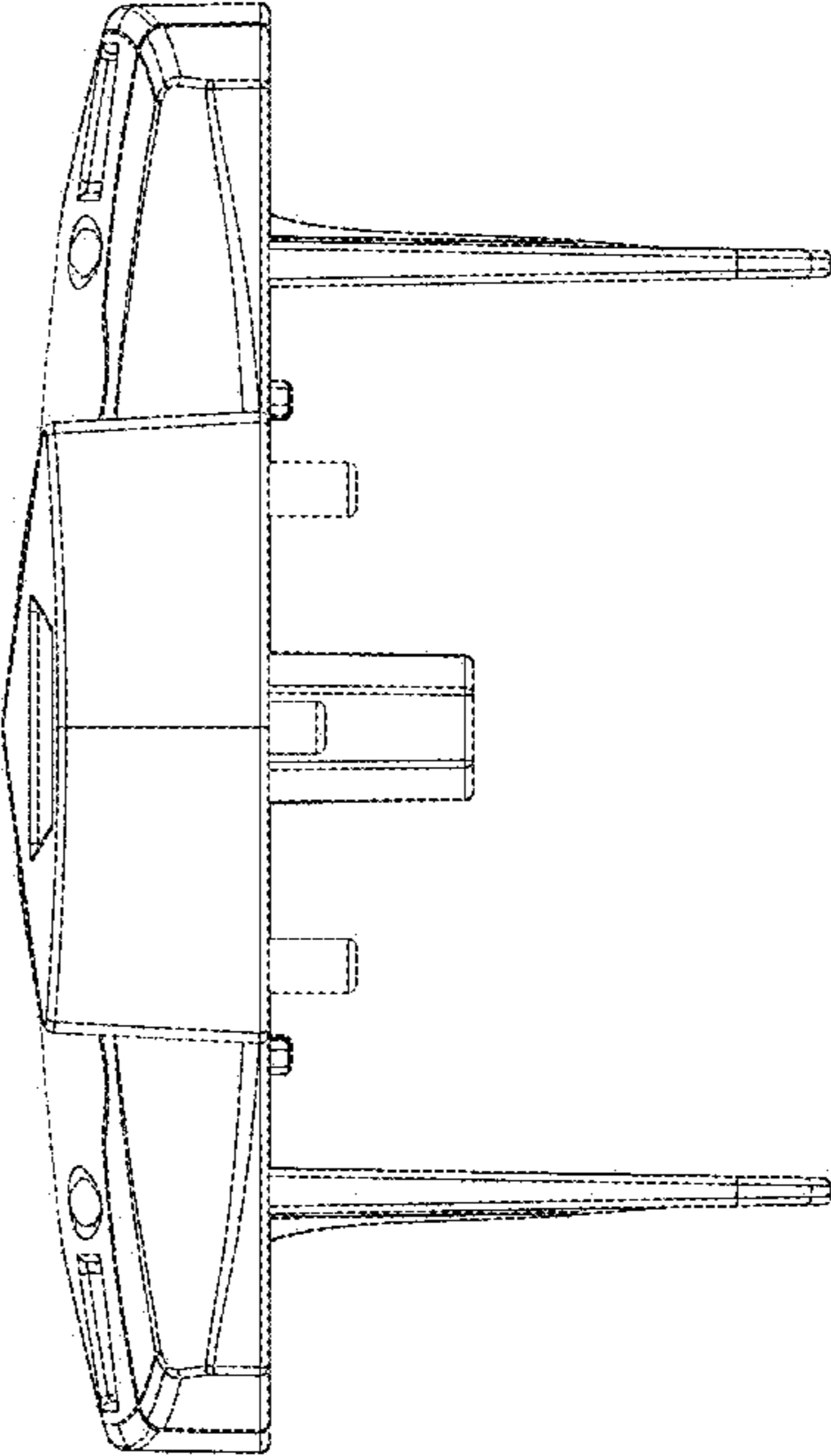


FIGURE 19

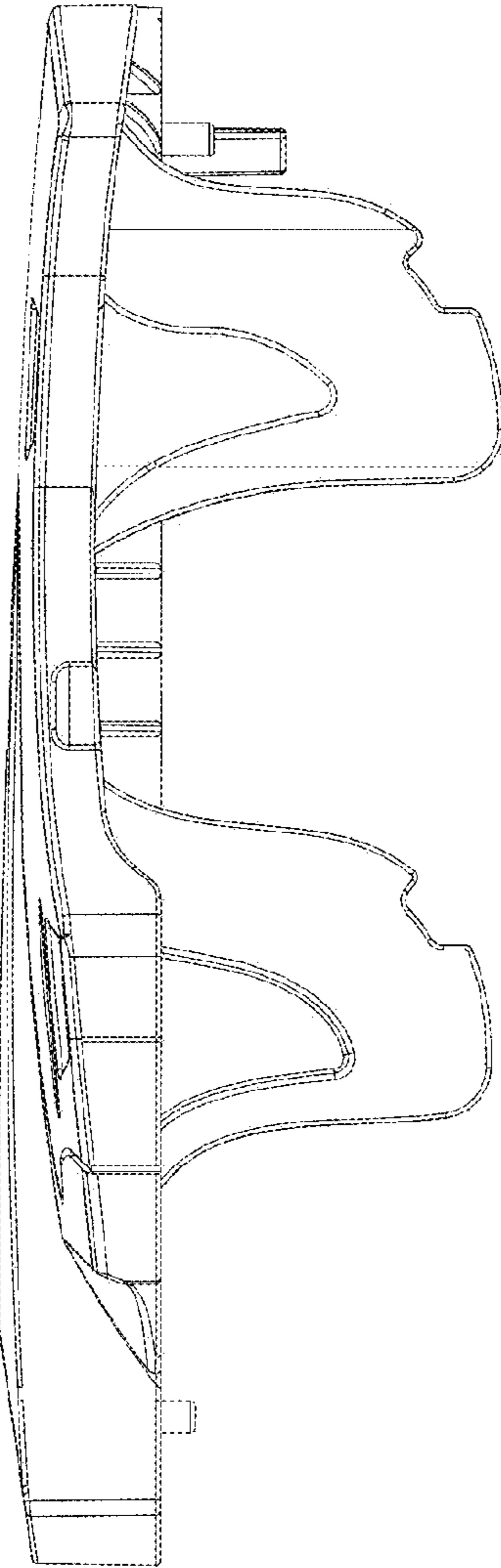


FIGURE 20

