

US00D695361S

(12) **United States Design Patent**
Roehrig et al.

(10) **Patent No.:** **US D695,361 S**

(45) **Date of Patent:** **** Dec. 10, 2013**

(54) **CHILDREN'S CUTLERY**

(71) Applicant: **Mam Babyartikel Gesellschaft m.b.H.**,
Vienna (AT)

(72) Inventors: **Peter Roehrig**, Vienna (AT); **Christoph Pauschitz**, Vienna (AT)

(73) Assignee: **Mam Babyartikel Gesellschaft**, Vienna (AT)

(**) Term: **14 Years**

(21) Appl. No.: **29/441,715**

(22) Filed: **Jan. 9, 2013**

(30) **Foreign Application Priority Data**

Jul. 10, 2012 (EM) 2071084-0001
Jul. 10, 2012 (EM) 2071084-0002

(51) **LOC (9) Cl.** **21-01**

(52) **U.S. Cl.**
USPC **D21/525**

(58) **Field of Classification Search**
USPC D21/532, 483; D7/653, 645, 662-664,
D7/401.2; 30/142, 147-150, 322, 324
See application file for complete search history.

(56) **References Cited**

U.S. PATENT DOCUMENTS

4,192,360 A * 3/1980 Rodriguez 141/24
D272,456 S * 1/1984 Clanton D21/532
D291,710 S * 9/1987 Mariol D21/483
D339,036 S * 9/1993 McDaniel D7/653
D341,172 S * 11/1993 Olsen D21/532
D342,293 S * 12/1993 Kino D21/532
D344,991 S * 3/1994 Kino D21/532
D345,677 S * 4/1994 Snodgrass D7/645
D349,770 S * 8/1994 Jarnagin D24/198

D361,102 S * 8/1995 Larsen D21/532
5,890,223 A * 4/1999 Klemmer 30/150
D413,049 S * 8/1999 Bergkvist D7/653
6,134,790 A * 10/2000 Watson 30/326
D461,997 S * 8/2002 Jalet D7/645
D476,862 S * 7/2003 Jagger D7/645
D491,420 S * 6/2004 Shibata et al. D7/653
D496,833 S * 10/2004 Lantz D7/653
D613,005 S * 3/2010 Lin D30/159
D614,922 S * 5/2010 Sierra et al. D7/653
D615,367 S * 5/2010 Sierra et al. D7/653
D621,229 S * 8/2010 De Bretton Gordon D7/645
D629,250 S * 12/2010 Finell et al. D7/401.2
D657,620 S * 4/2012 Pookrum D7/401.2
D657,621 S * 4/2012 Pookrum D7/401.2
D672,210 S * 12/2012 Rockwell et al. D7/642
D676,718 S * 2/2013 Rockwell et al. D7/642

* cited by examiner

Primary Examiner — Cathron Brooks

Assistant Examiner — Sydney R Buffalow

(74) *Attorney, Agent, or Firm* — Abelman, Frayne & Schwab

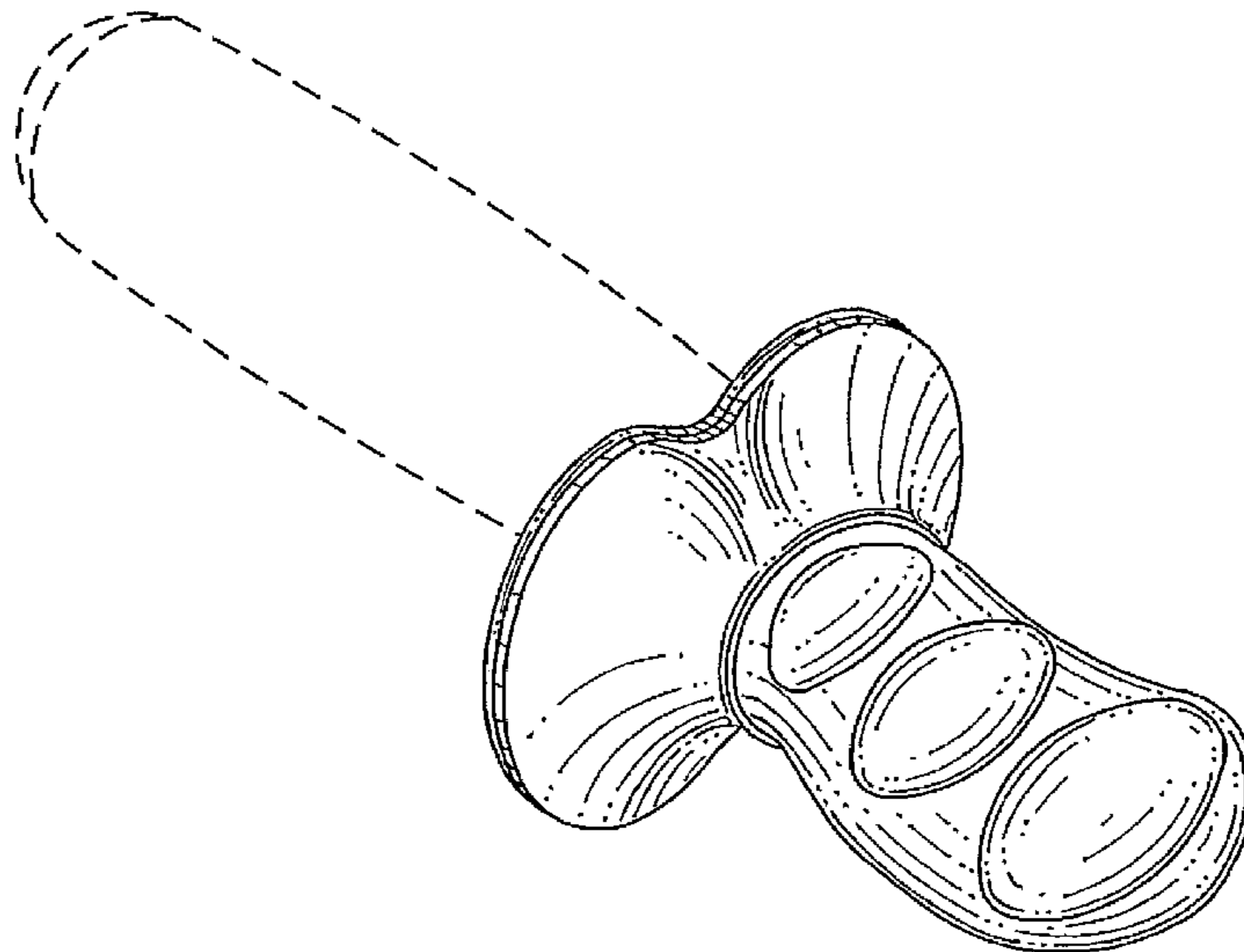
(57) **CLAIM**

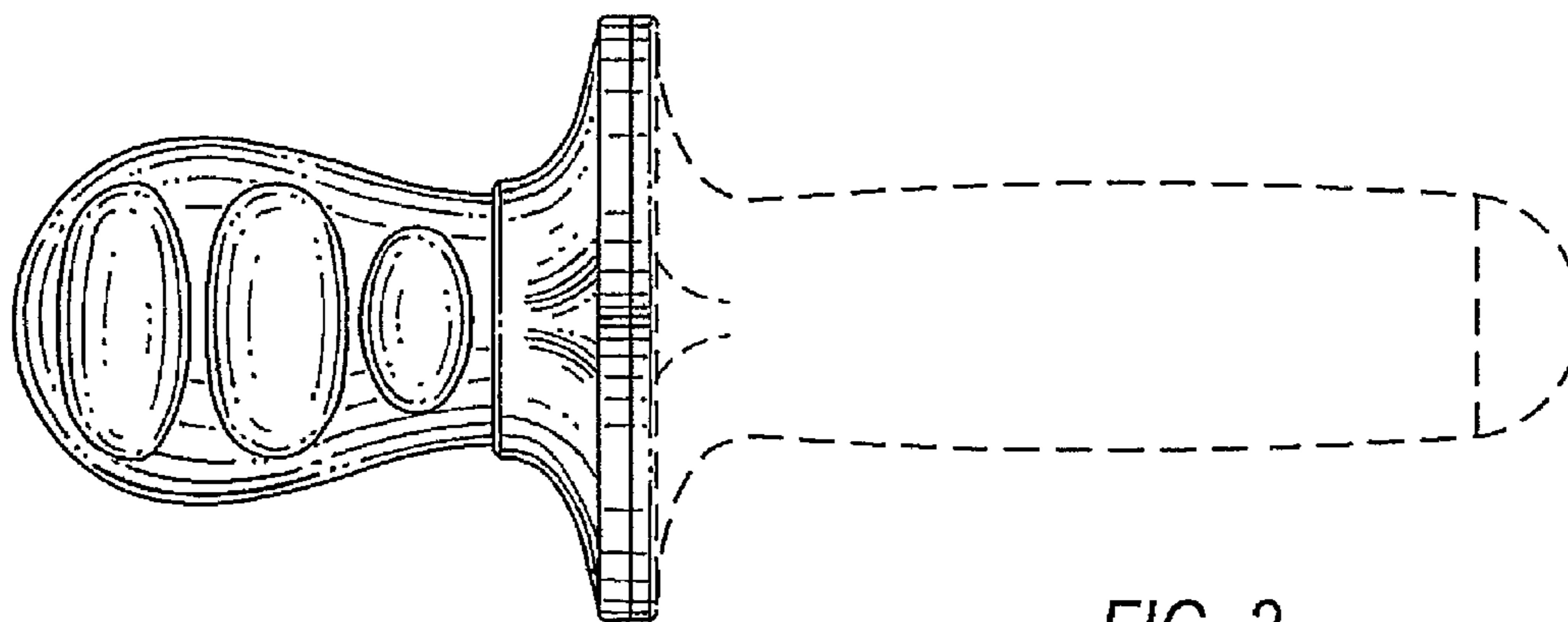
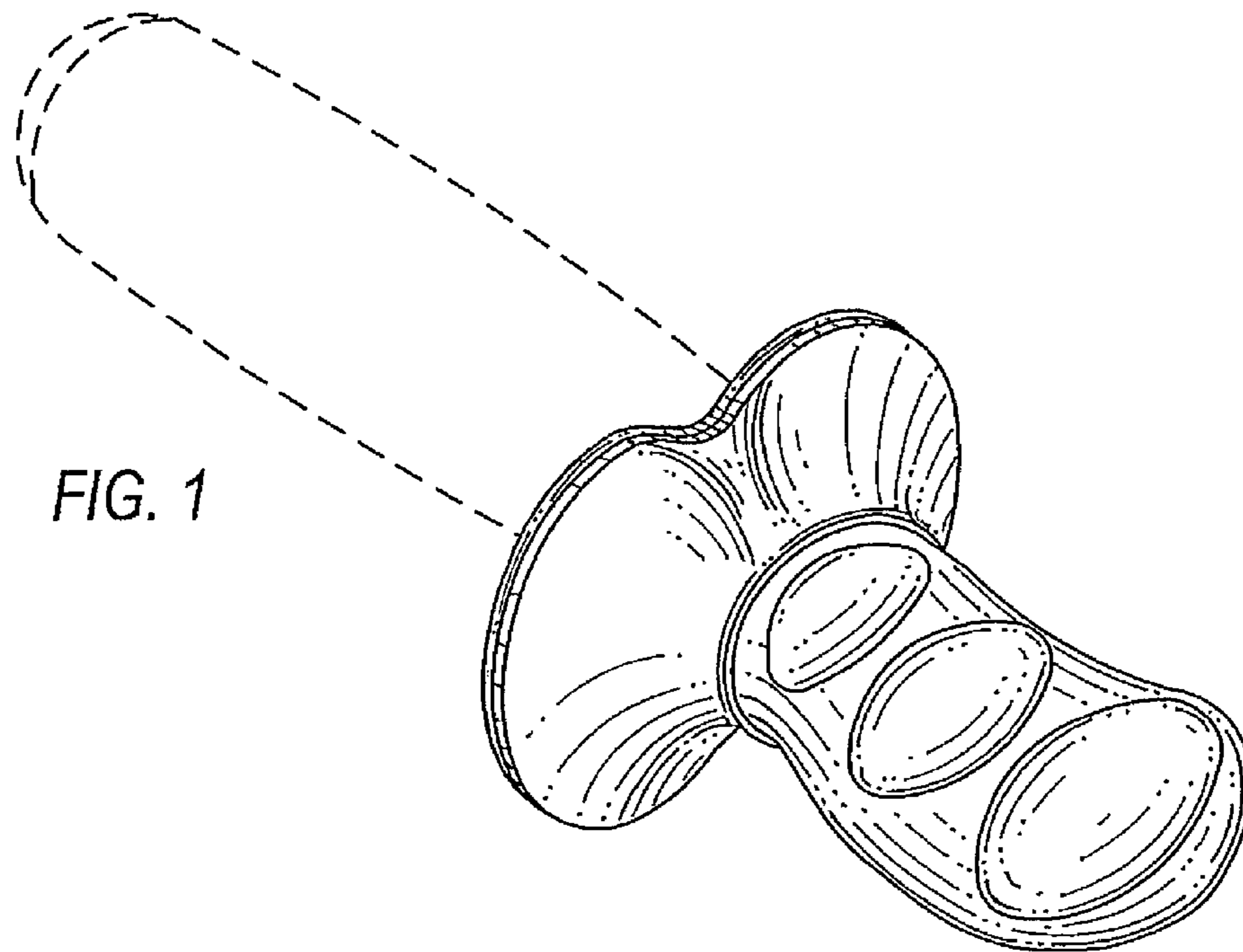
The ornamental design for children's cutlery, as shown and described.

DESCRIPTION

FIG. 1 is a top, front and left side perspective view of children's cutlery showing the new design;
FIG. 2 is a top plan thereof;
FIG. 3 is a front elevation thereof;
FIG. 4 is a right side elevation thereof, the left side elevation being a mirror image thereof;
FIG. 5 is a rear elevation thereof; and,
FIG. 6 is a bottom plan thereof.
The broken lines illustrate portions of the children's cutlery and form no part of the claimed design.

1 Claim, 3 Drawing Sheets





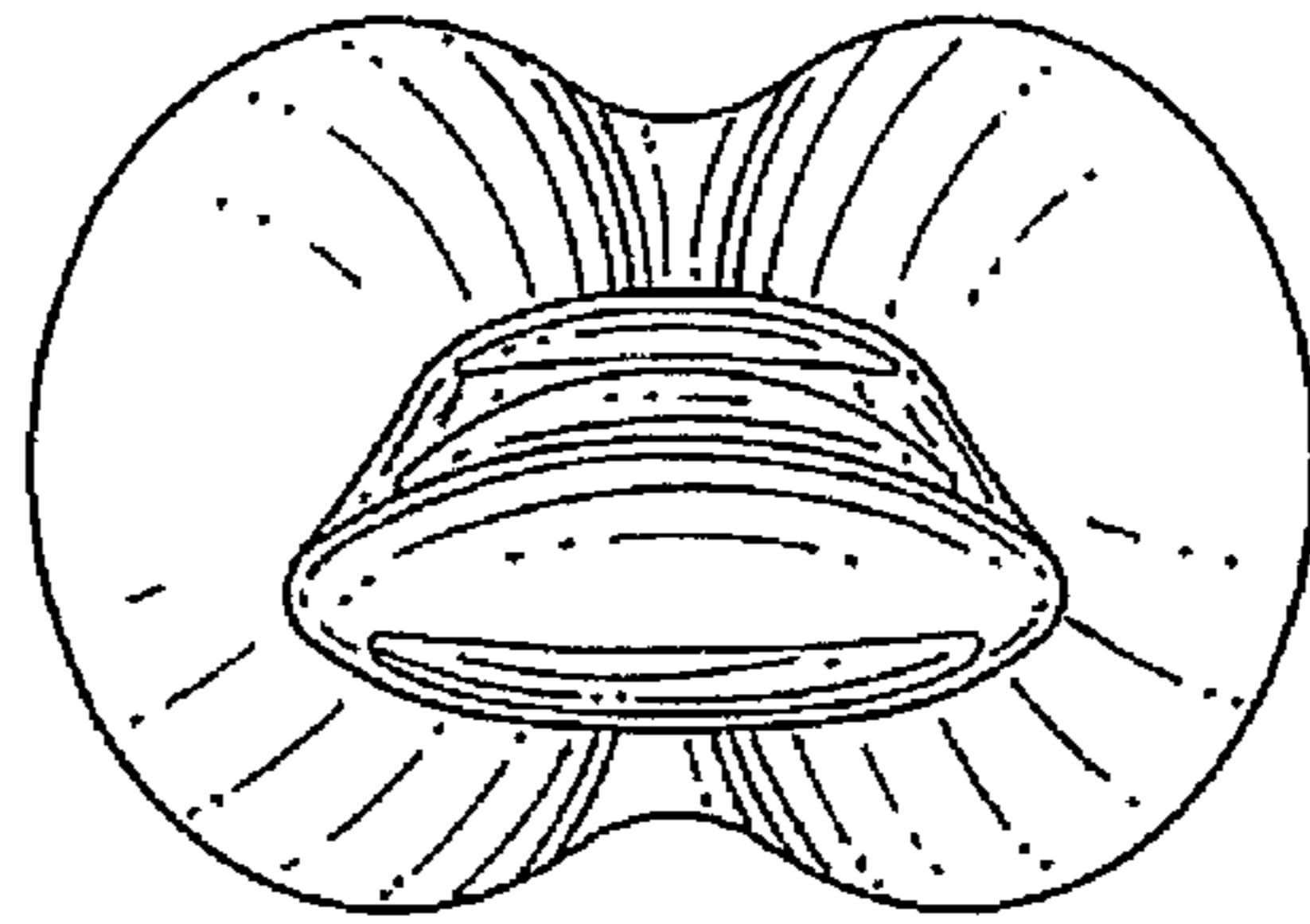


FIG. 3

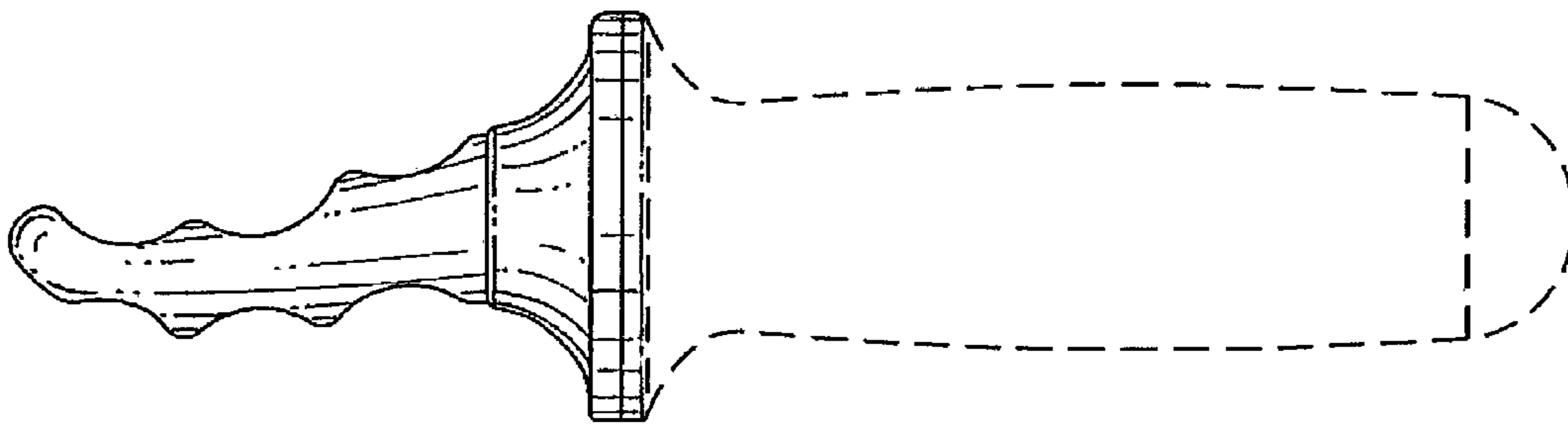


FIG. 4

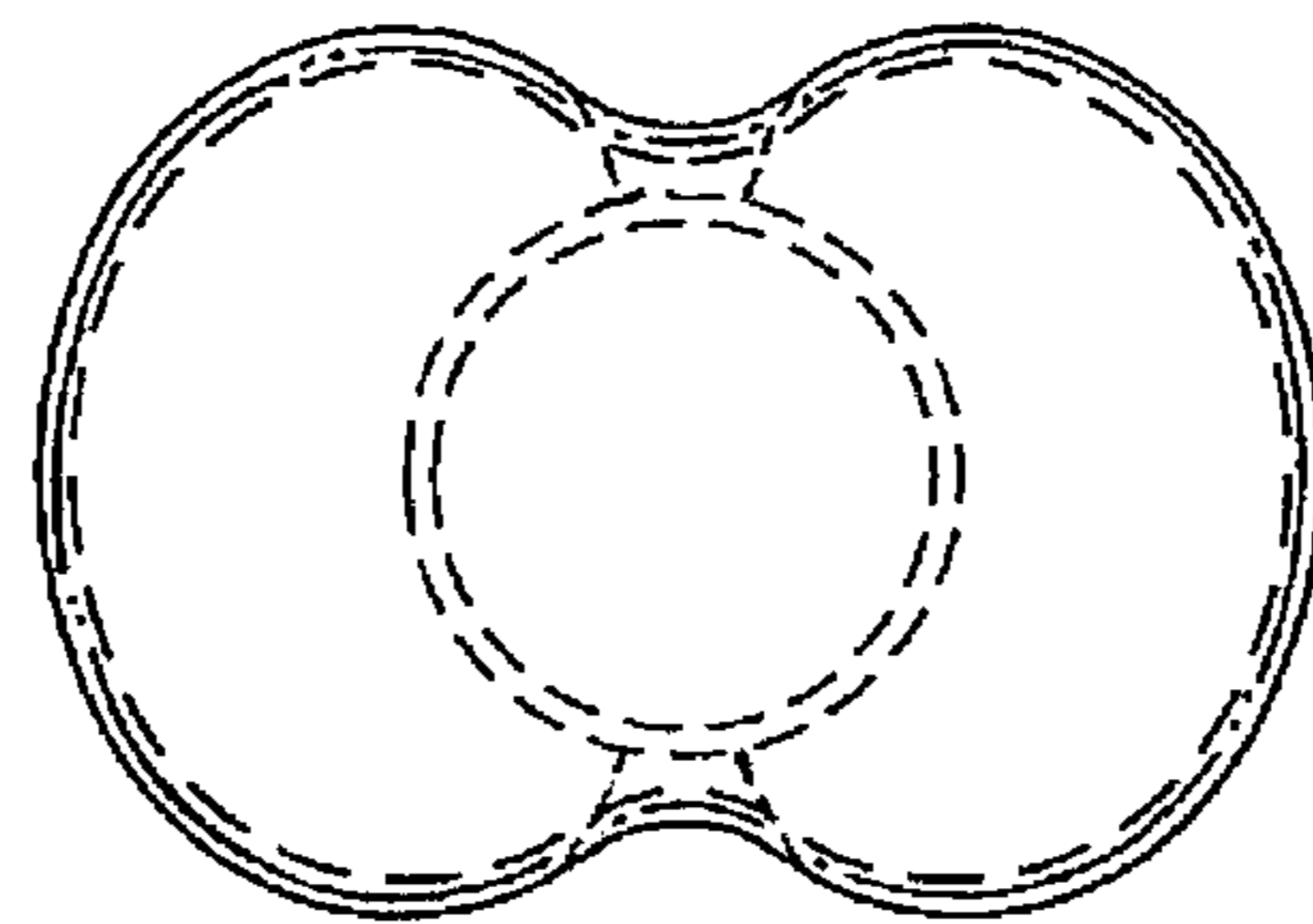


FIG. 5

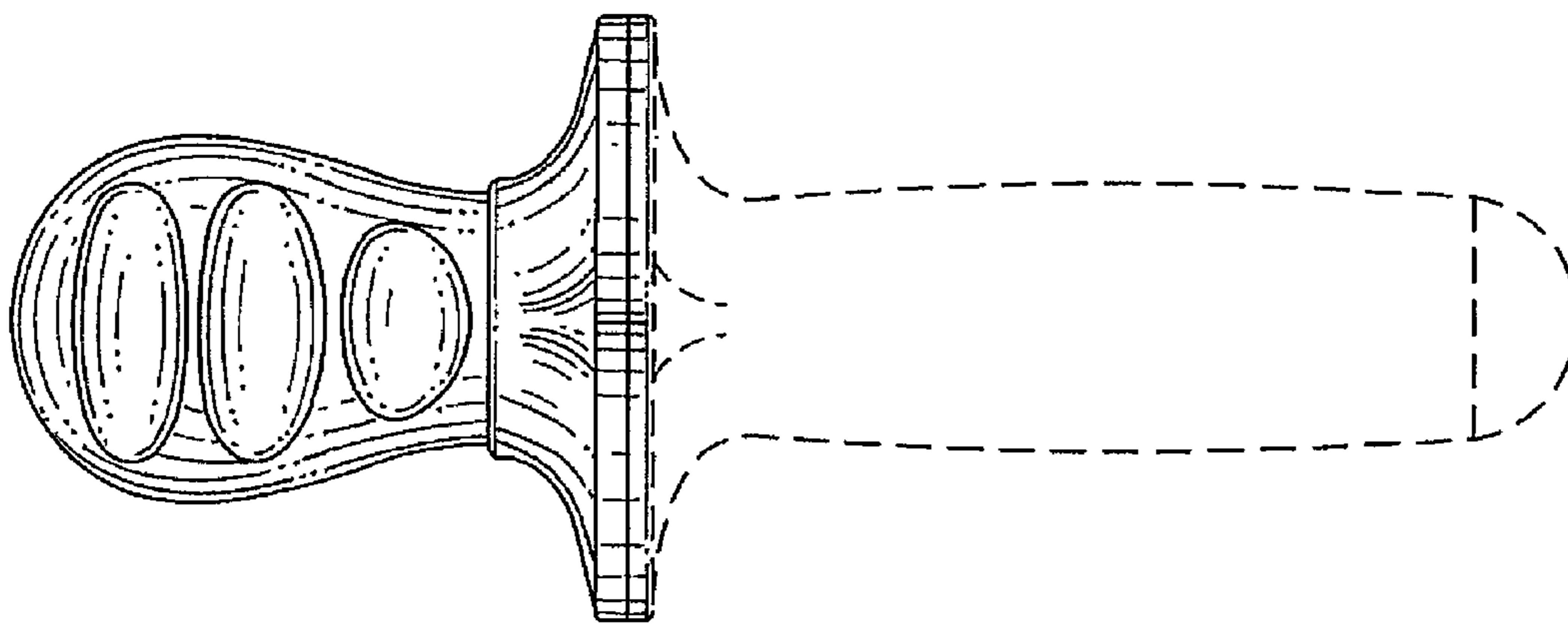


FIG. 6