



US00D695360S

(12) **United States Design Patent**
Li

(10) **Patent No.:** **US D695,360 S**

(45) **Date of Patent:** **** Dec. 10, 2013**

(54) **SWING CART FOR CHILD**

(75) Inventor: **Ching-Ho Li**, Nantou County (TW)

(73) Assignee: **J.D Components Co., Ltd.**, Chang Hua Hsien (TW)

(**) Term: **14 Years**

(21) Appl. No.: **29/431,452**

(22) Filed: **Sep. 7, 2012**

(30) **Foreign Application Priority Data**

Jun. 26, 2012 (TW) 101303727

(51) **LOC (9) Cl.** **21-01**

(52) **U.S. Cl.**
USPC **D21/426**

(58) **Field of Classification Search**
USPC D21/419, 423, 424, 425, 426, 427, 428;
280/87.01, 87.021, 218, 224, 225, 232,
280/233, 242.1

See application file for complete search history.

(56) **References Cited**

U.S. PATENT DOCUMENTS

D208,483 S * 9/1967 Walklet D21/424
3,663,038 A * 5/1972 Hendricks 280/218

4,200,304 A * 4/1980 Hwang 280/218
D448,430 S * 9/2001 Wang D21/433
D469,819 S * 2/2003 Nicolle et al. D21/426
6,561,534 B2 * 5/2003 Gu 280/242.1
7,007,962 B2 * 3/2006 Lai 280/218
D582,992 S * 12/2008 Alais D21/426
2005/0236800 A1 * 10/2005 Lai 280/218

* cited by examiner

Primary Examiner — Cynthia M Chin

(74) *Attorney, Agent, or Firm* — Muncy, Geissler, Olds & Lowe, PLLC

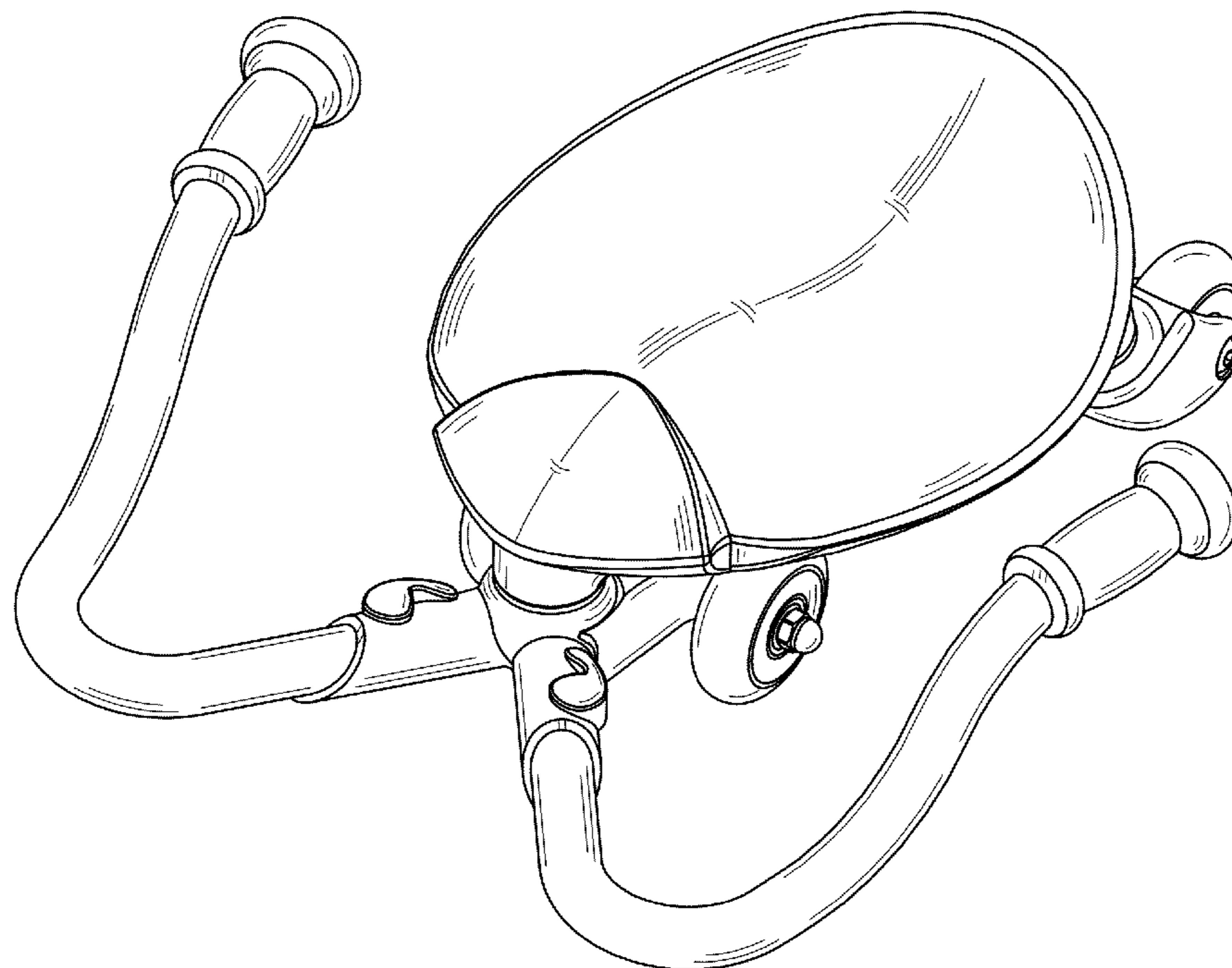
(57) **CLAIM**

The ornamental design for a swing cart for child, as shown and described.

DESCRIPTION

FIG. 1 shows a perspective view of the present design.
FIG. 2 shows a front view of the present design.
FIG. 3 shows a rear view of the present design.
FIG. 4 shows a left view of the present design.
FIG. 5 shows a right view of the present design.
FIG. 6 shows a top view of the present design; and,
FIG. 7 shows a bottom view of the present design.
The broken line showing of reinforcement ribs is for the purpose of illustrating portions of the swing cart for child and forms no part of the claimed design.

1 Claim, 7 Drawing Sheets



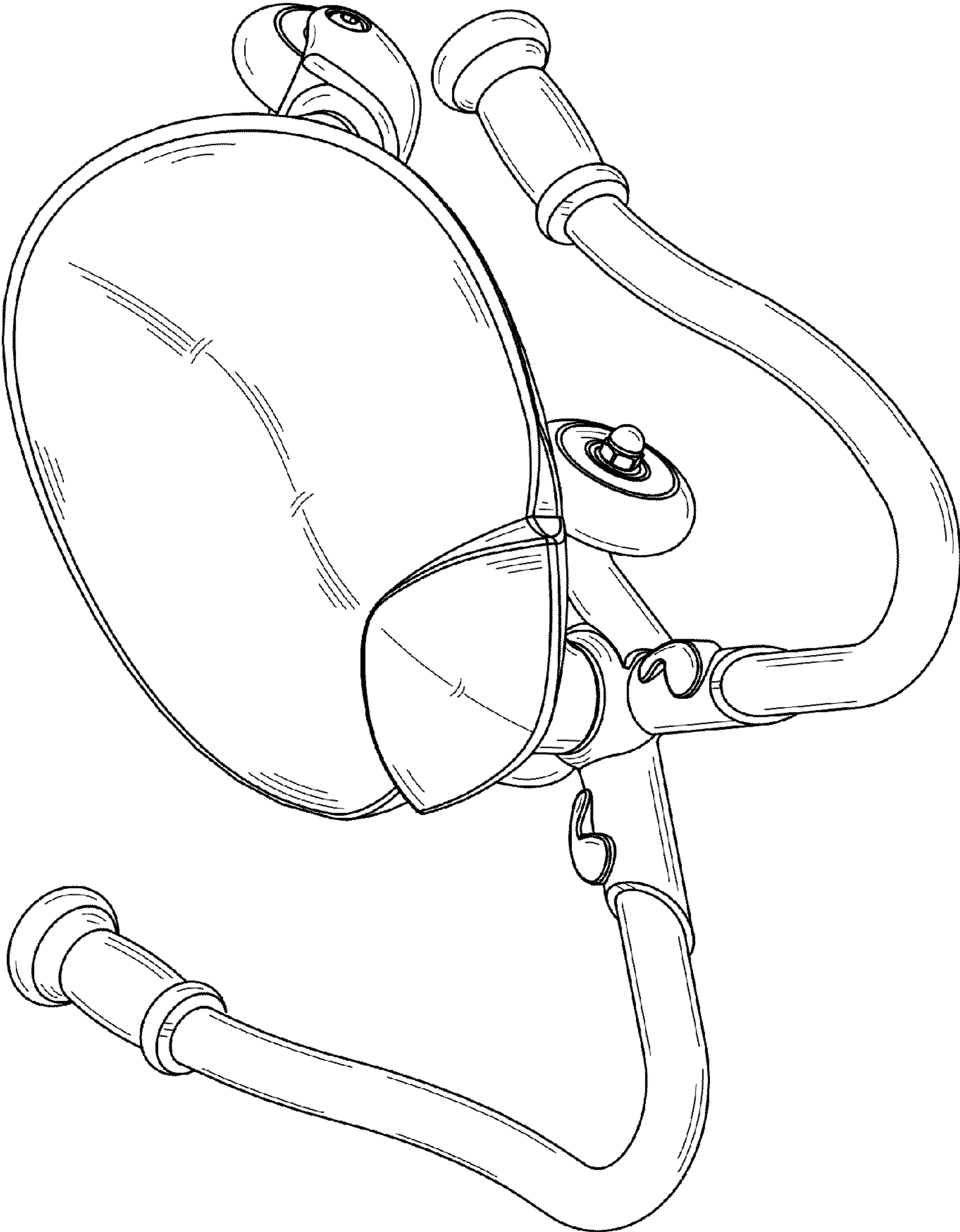


FIG. 1

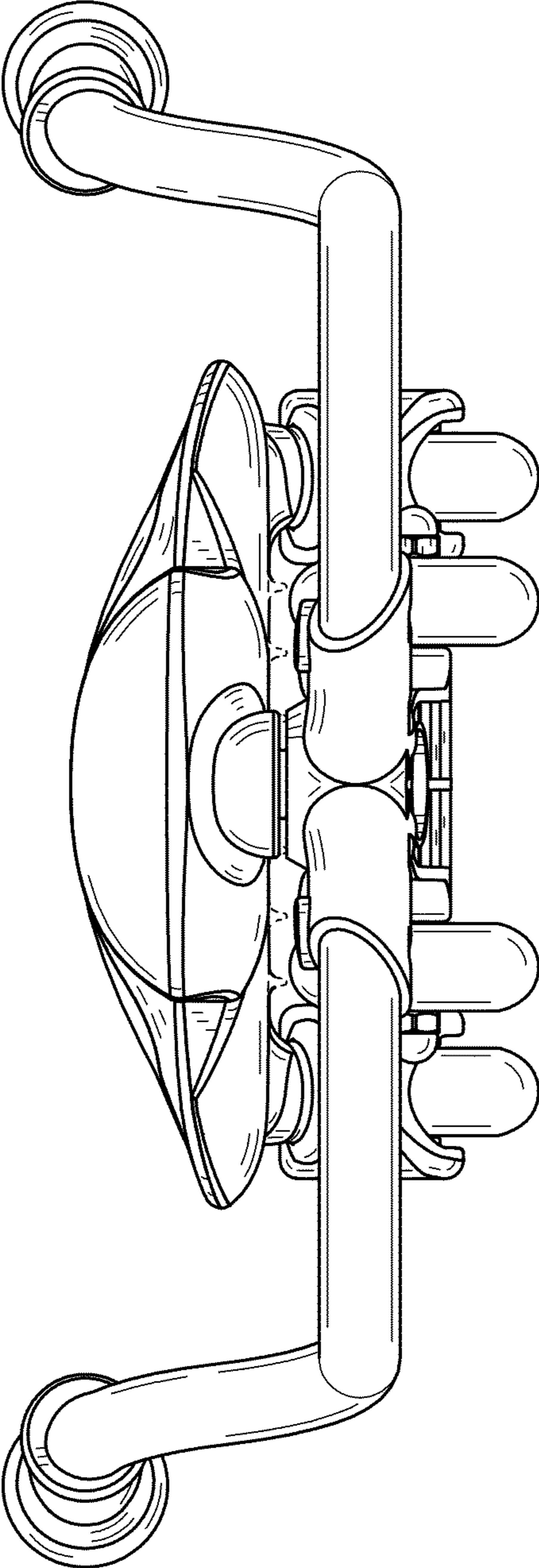


FIG. 2

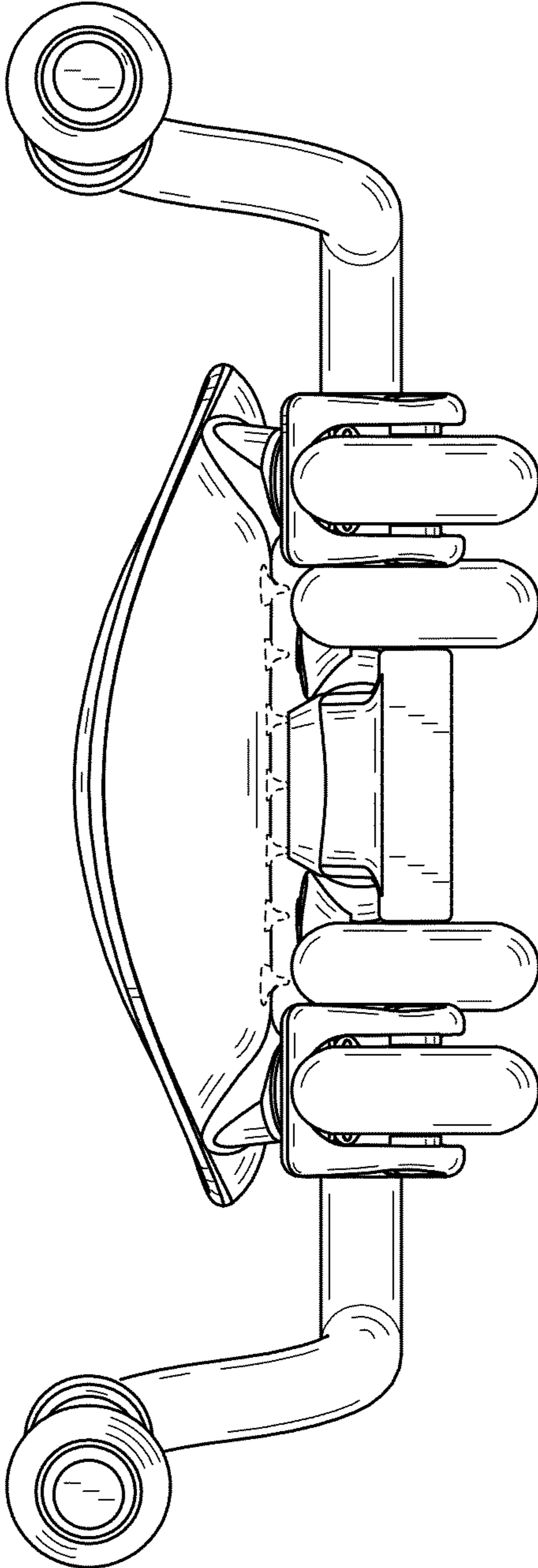


FIG. 3

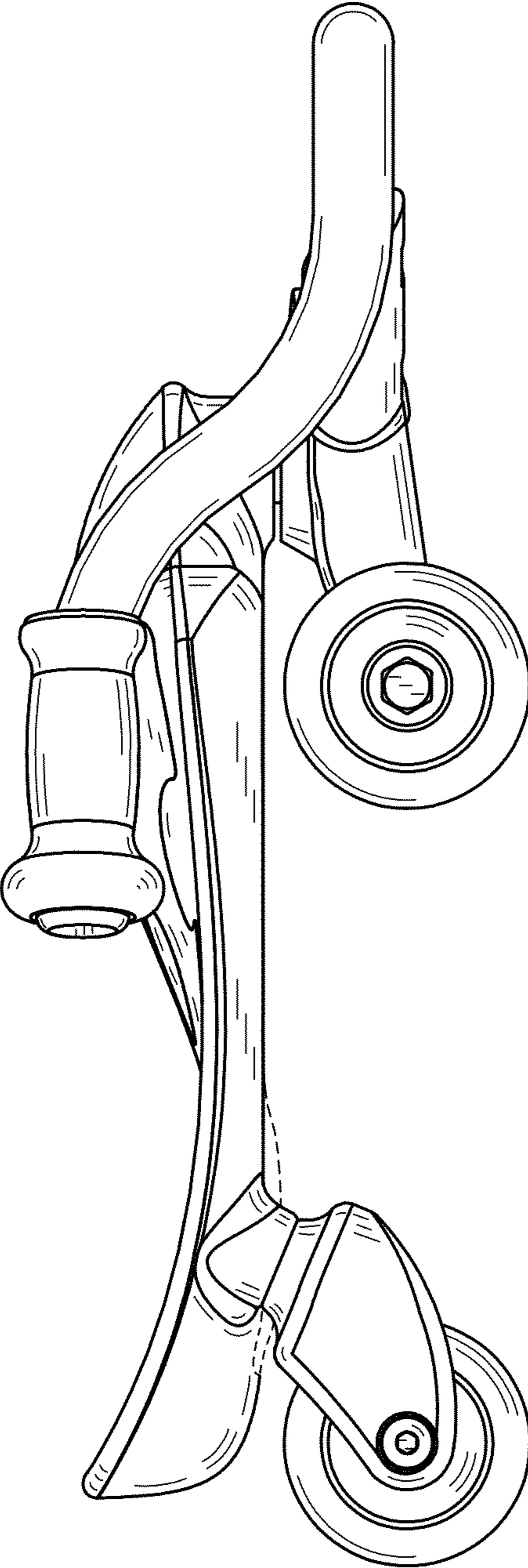


FIG. 4

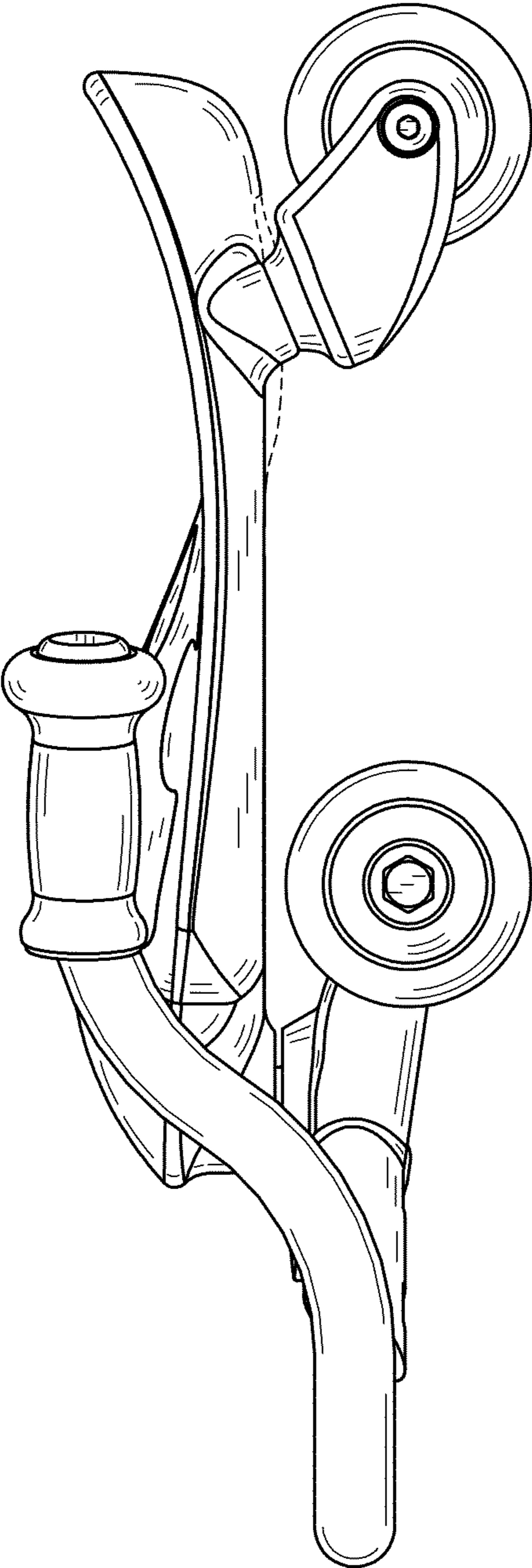


FIG. 5

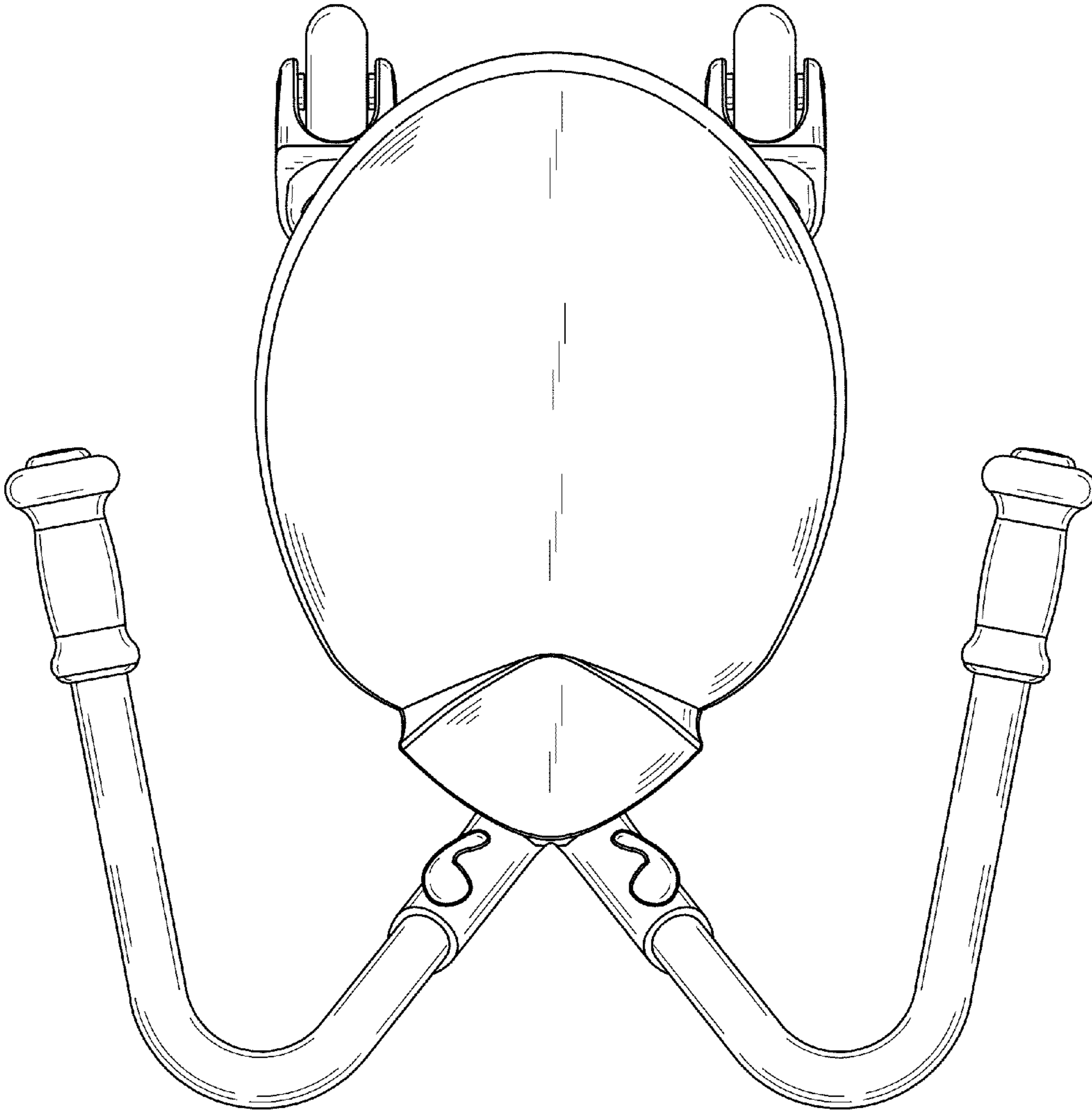


FIG. 6

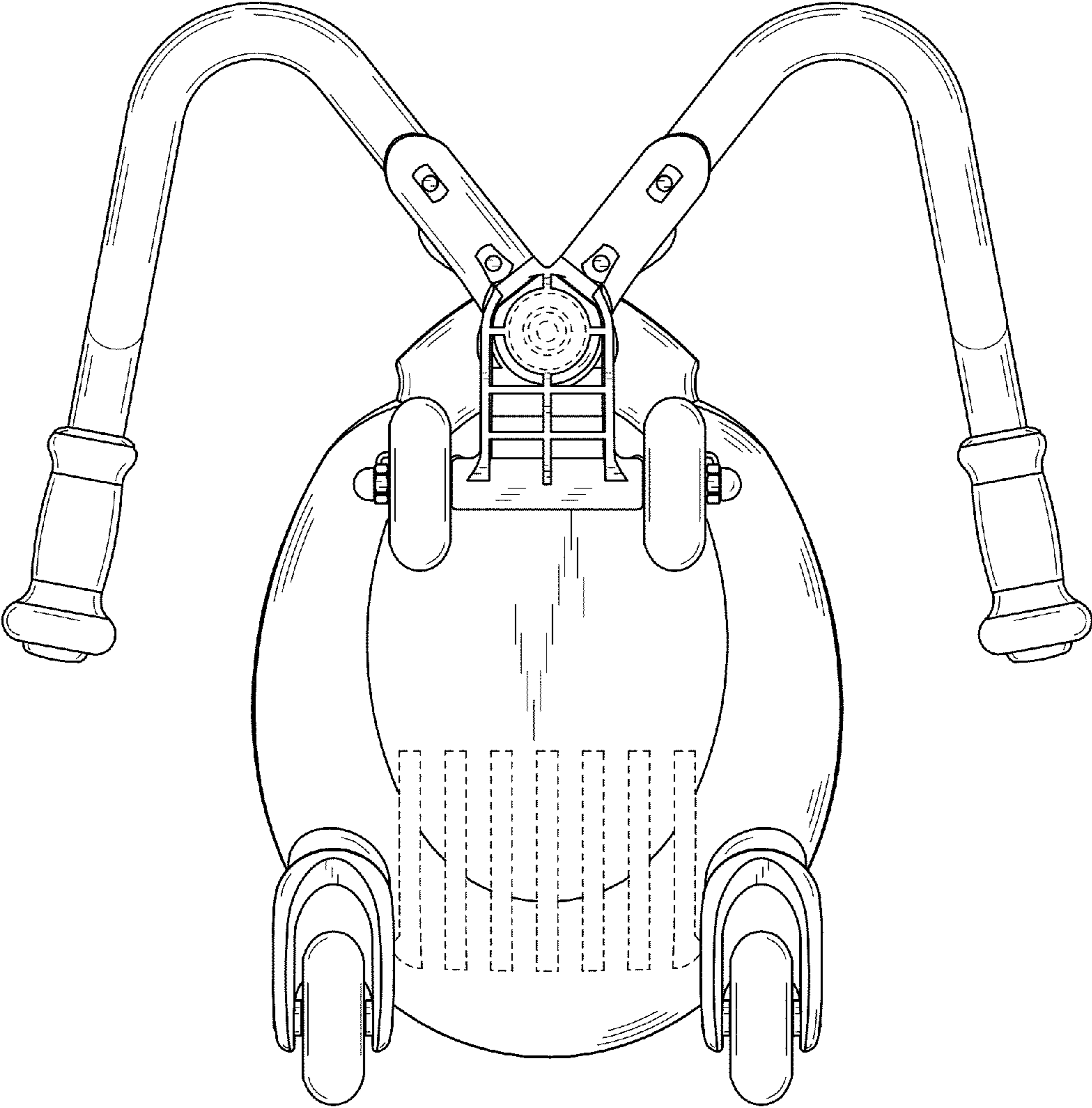


FIG. 7