



US00D695359S

(12) **United States Design Patent**  
**Sheltman et al.**

(10) **Patent No.:** **US D695,359 S**

(45) **Date of Patent:** **\*\* Dec. 10, 2013**

(54) **RIDE ON VEHICLE**

(71) Applicant: **Mattel, Inc.**, El Segundo, CA (US)

(72) Inventors: **David Alan Sheltman**, Rancho Palos Verdes, CA (US); **Kevin Kai Cao**, Reseda, CA (US); **Mallory Ann McMorrow**, Hermosa Beach, CA (US)

(73) Assignee: **Mattel, Inc.**, El Segundo, CA (US)

(\*\*) Term: **14 Years**

(21) Appl. No.: **29/433,755**

(22) Filed: **Oct. 4, 2012**

(51) **LOC (9) Cl.** ..... **21-01**

(52) **U.S. Cl.**  
USPC ..... **D21/419**

(58) **Field of Classification Search**  
USPC ..... D21/419, 423, 424, 425, 426, 427, 428;  
280/11.19, 87.01, 87.021, 218, 224,  
280/225, 232, 233, 242.1  
See application file for complete search history.

(56) **References Cited**

**U.S. PATENT DOCUMENTS**

3,059,943 A \* 10/1962 Rich ..... 280/87.021  
D275,299 S \* 8/1984 Petersson et al. .... D21/424

D295,297 S \* 4/1988 Salmon et al. .... D21/424  
4,930,796 A \* 6/1990 Harrod ..... 280/87.021  
D382,617 S \* 8/1997 Oak ..... D21/765  
5,725,224 A \* 3/1998 Kerr ..... 280/11.19  
D449,081 S \* 10/2001 Chang ..... D21/424  
D571,863 S \* 6/2008 On ..... D21/424

\* cited by examiner

*Primary Examiner* — Cynthia M Chin

(74) *Attorney, Agent, or Firm* — Edell, Shapiro & Finnann LLC

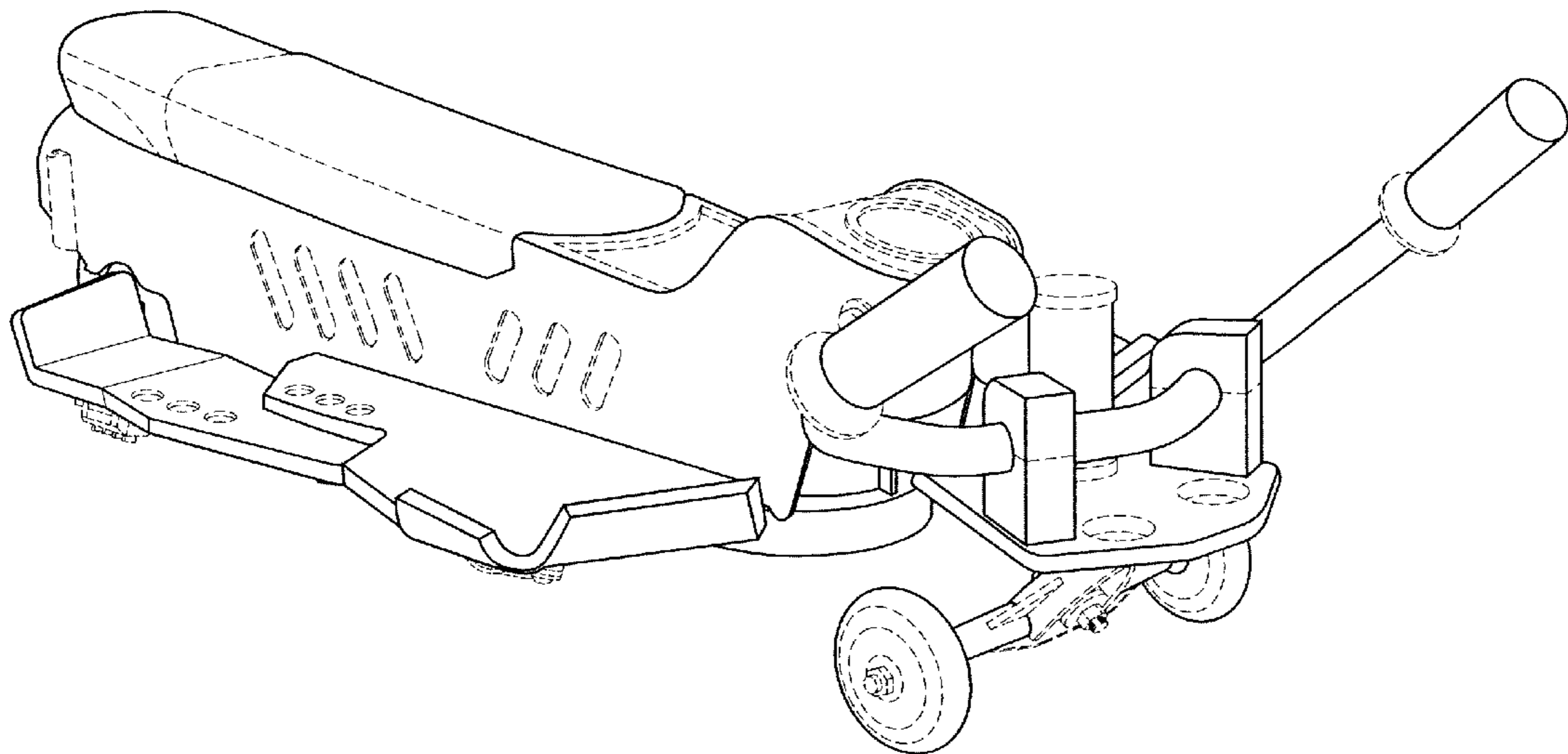
(57) **CLAIM**

The ornamental design for a ride on vehicle, as shown and described.

**DESCRIPTION**

FIG. 1 is a front perspective view of a ride on vehicle according to the present invention;  
FIG. 2 is front view of the ride on vehicle of FIG. 1;  
FIG. 3 is a rear view of the ride on vehicle of FIG. 1;  
FIG. 4 is a right side view of the ride on vehicle of FIG. 1;  
FIG. 5 is a left side view of the ride on vehicle of FIG. 1;  
FIG. 6 is a top view of the ride on vehicle of FIG. 1; and,  
FIG. 7 is a bottom view of the ride on vehicle of FIG. 1.  
The broken lines shown are included for the purpose of illustrating the unclaimed portions of the article and form no part of the claimed design.

**1 Claim, 7 Drawing Sheets**



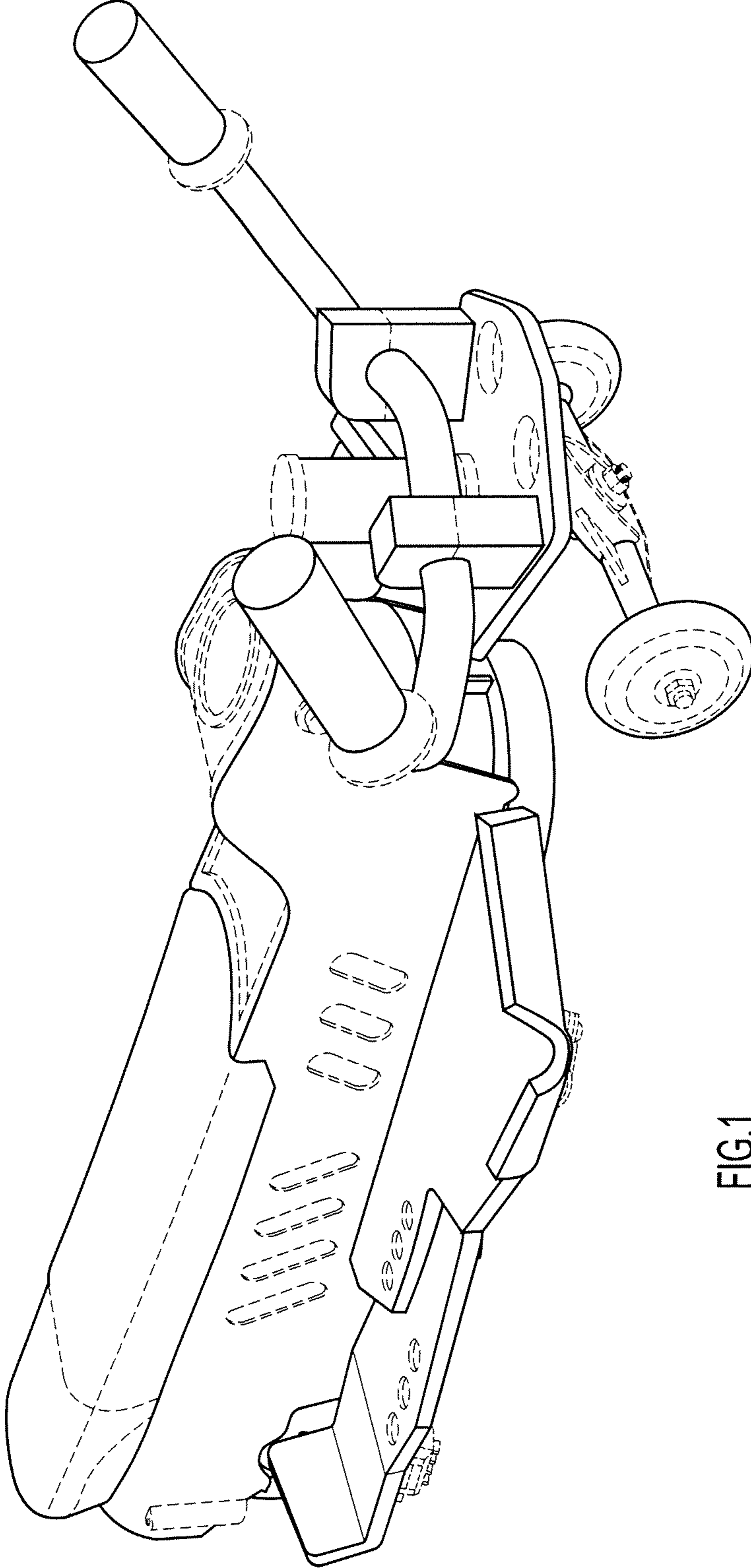


FIG.1

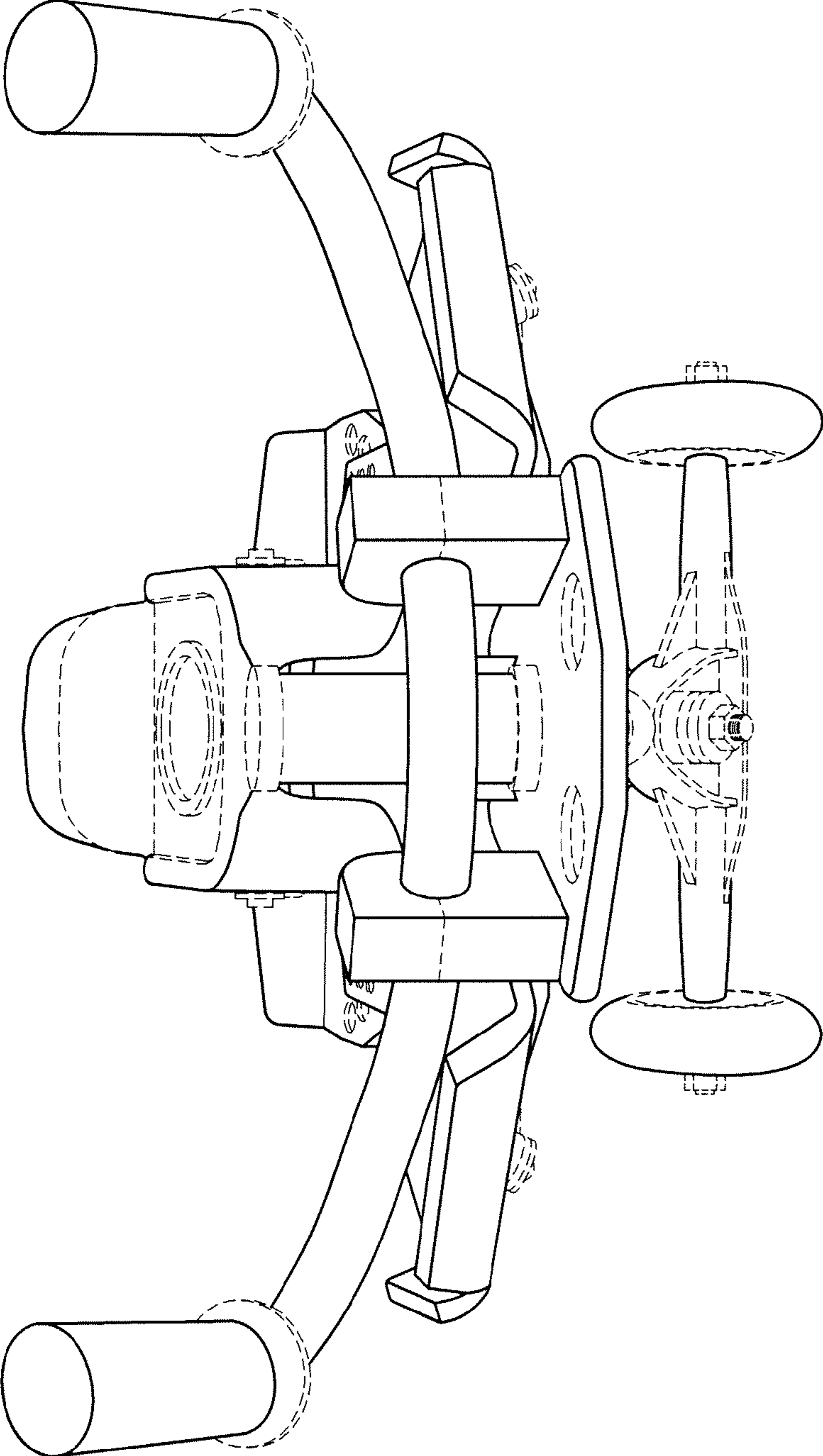


FIG.2

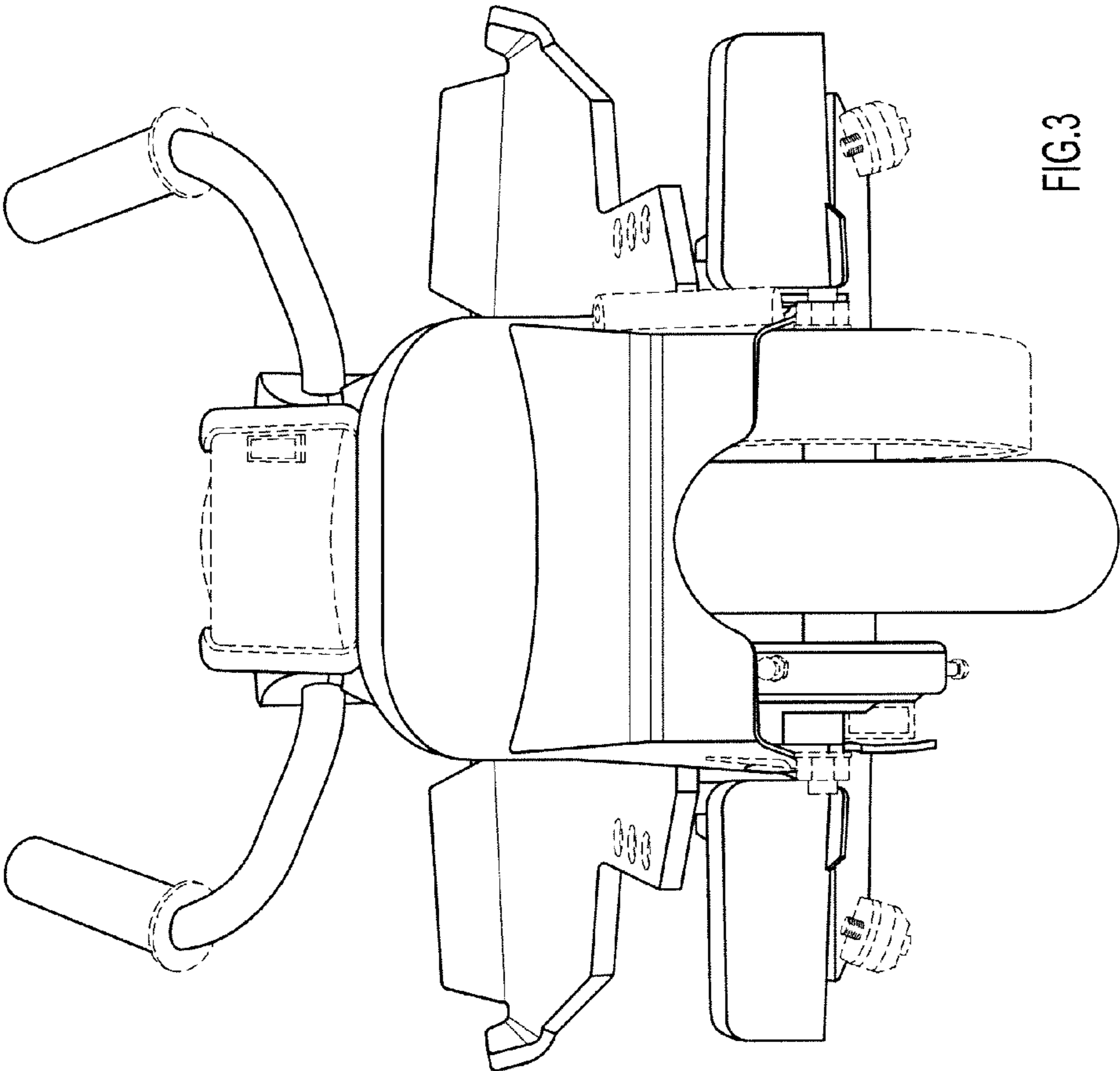


FIG.3

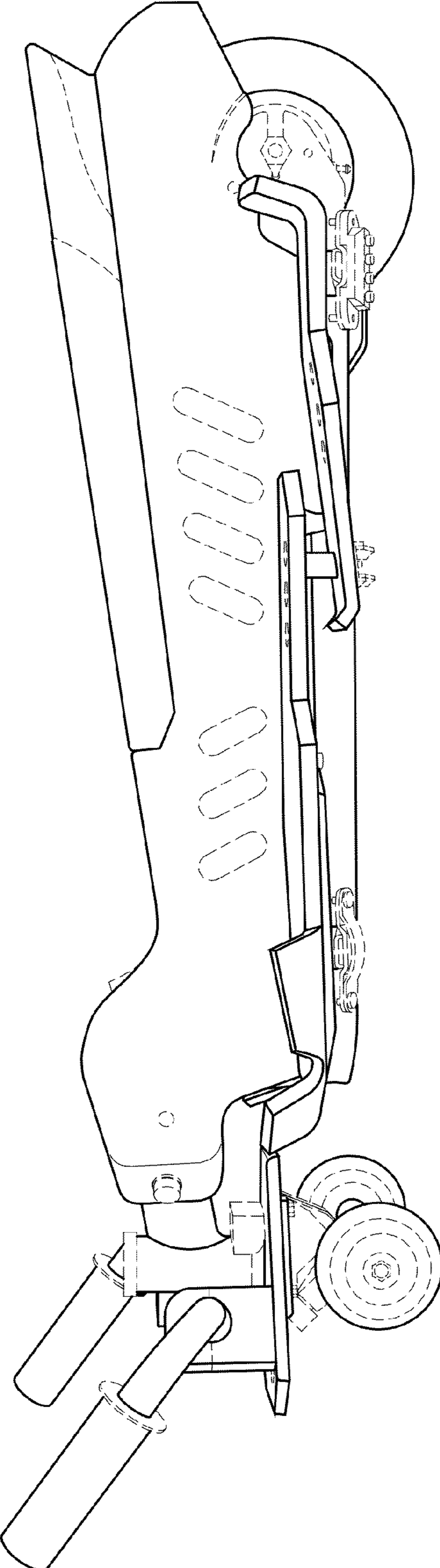


FIG.4

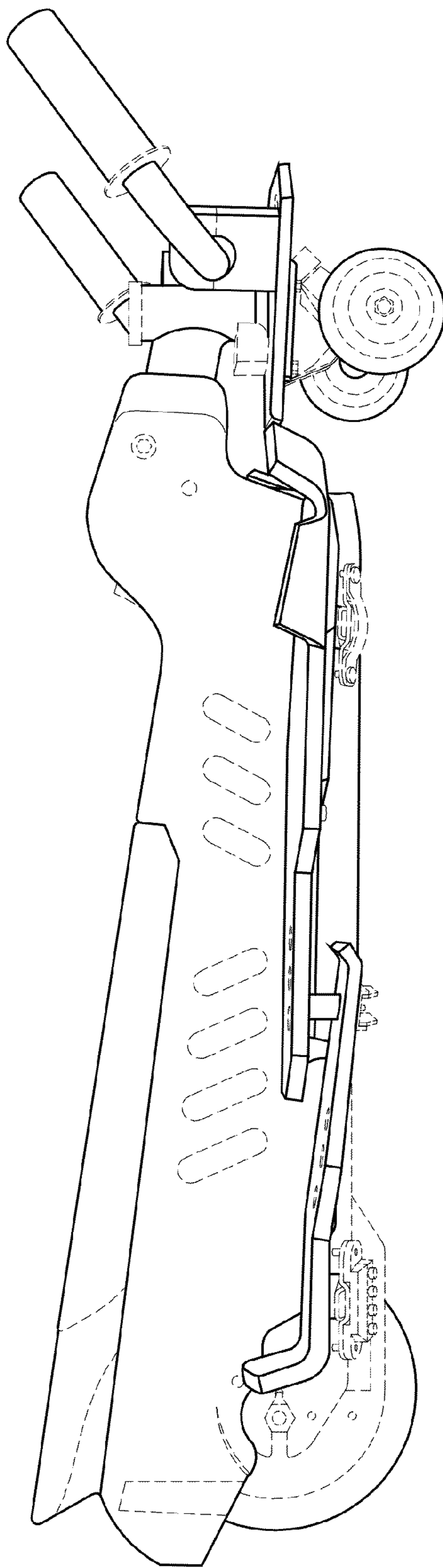


FIG.5

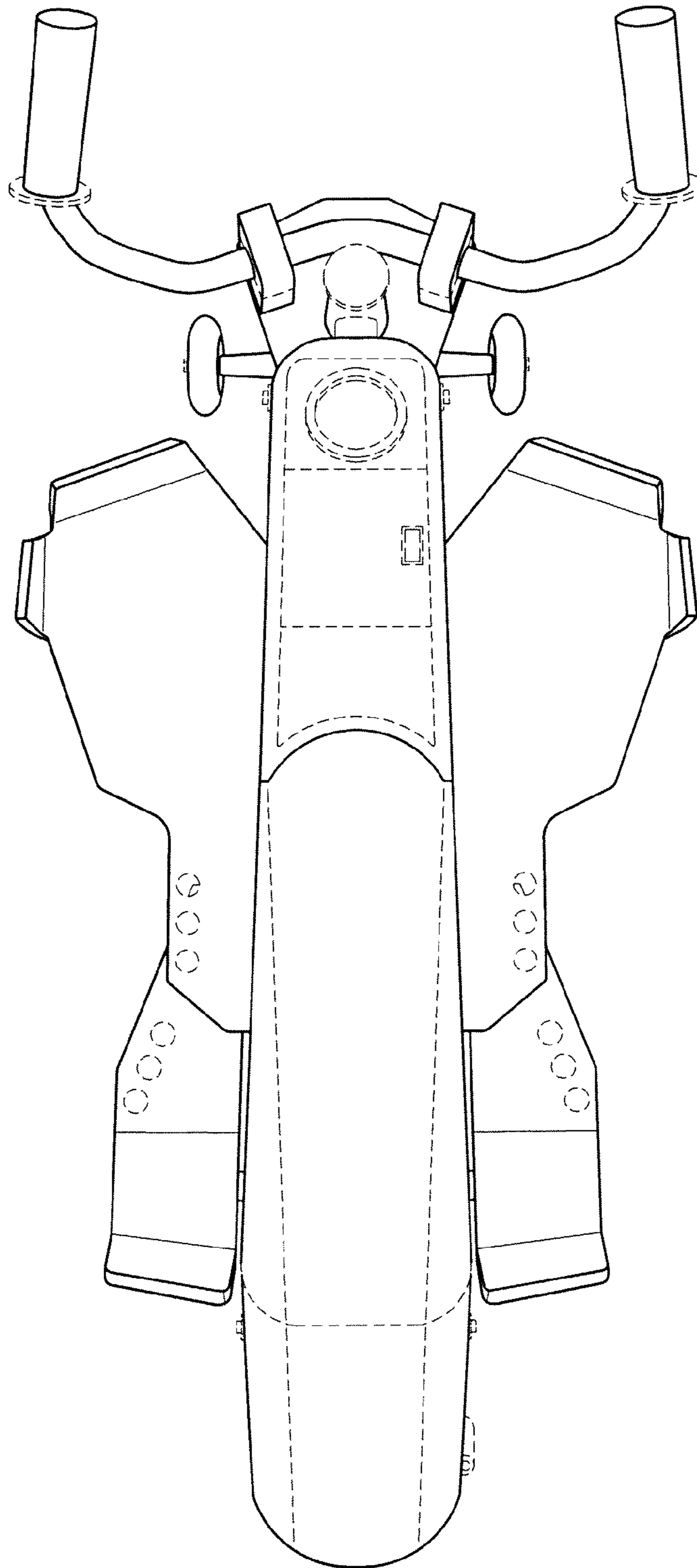


FIG.6

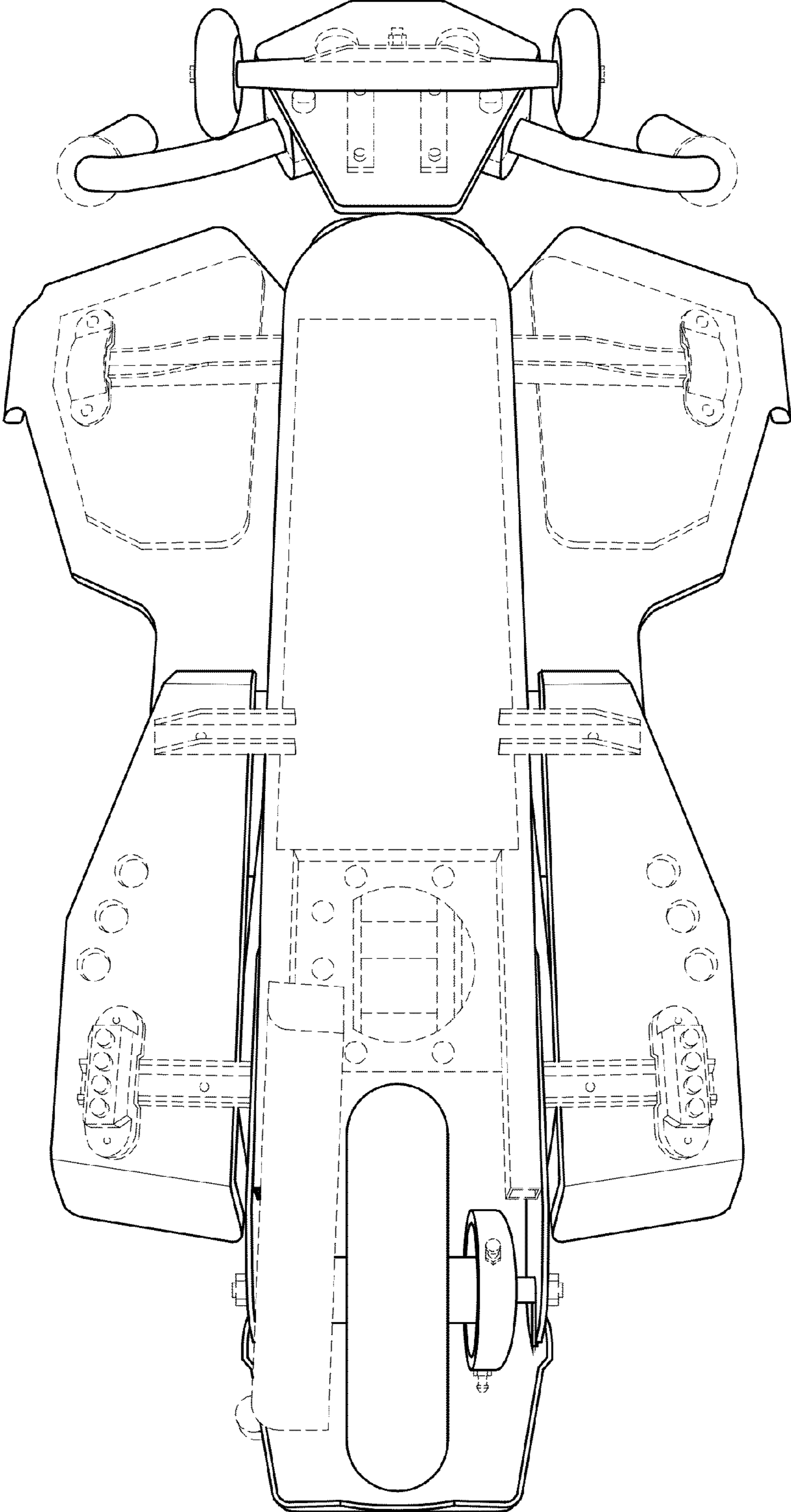


FIG.7