



US00D695358S

(12) **United States Design Patent**
Saber et al.

(10) **Patent No.:** **US D695,358 S**

(45) **Date of Patent:** **** Dec. 10, 2013**

(54) **TOY**

(71) Applicants: **Michael A. Saber**, Denver, CO (US);
Joseph A. Buescher, Littleton, CO (US)

(72) Inventors: **Michael A. Saber**, Denver, CO (US);
Joseph A. Buescher, Littleton, CO (US)

(**) Term: **14 Years**

(21) Appl. No.: **29/451,387**

(22) Filed: **Apr. 1, 2013**

(51) **LOC (9) Cl.** **21-01**

(52) **U.S. Cl.**
USPC **D21/398; D21/707**

(58) **Field of Classification Search**
USPC D21/398, 404, 405, 406, 408, 468, 473,
D21/478, 479, 483, 484, 485, 488, 493, 497,
D21/498, 501–503, 533, 561, 562, 680, 682,
D21/684, 694, 707–714, 791, 811, 812, 814,
D21/826; D30/160; 473/569–577, 587, 588,
473/589, 594–596, 609–614; 119/707–711;
428/11; 446/240, 255, 431, 437, 450,
446/486, 489, 491, 85, 102–128
See application file for complete search history.

(56) **References Cited**

U.S. PATENT DOCUMENTS

530,116	A *	12/1894	Murphy	473/571
2,521,703	A *	9/1950	Emmitt	473/596
D197,655	S	3/1964	Kuhn et al.	
D232,236	S	7/1974	La Borde	
D244,628	S	6/1977	Wright	
4,302,900	A *	12/1981	Rayner	446/120
5,033,743	A	7/1991	Wright	
5,207,420	A *	5/1993	Crawford et al.	119/707
D348,915	S *	7/1994	Fraser	D21/707
5,399,136	A	3/1995	Bart	
D363,752	S	10/1995	Shumber et al.	

D367,504	S	2/1996	Barzani	
D400,620	S	11/1998	Barton, Jr.	
D408,482	S	4/1999	Morrison	
D411,269	S	6/1999	Albarelli, Jr.	
6,003,470	A	12/1999	Budman	
D418,880	S	1/2000	Albarelli, Jr.	
D421,078	S *	2/2000	Weiss, Jr.	D21/713
6,048,283	A *	4/2000	Albarelli, Jr.	473/567
6,220,980	B1 *	4/2001	Adler	473/613
D468,378	S *	1/2003	Routzong	D21/707
6,651,590	B2 *	11/2003	Willinger et al.	119/707
D498,799	S	11/2004	Kerry	
6,896,578	B2	5/2005	Shaw	
D511,029	S	10/2005	Willinger	
D545,509	S	6/2007	Wang	
D549,889	S *	8/2007	Winkler et al.	D30/160
7,326,122	B2	2/2008	Park	
D623,247	S	9/2010	Zawitz	
D624,251	S	9/2010	Rutherford	
D640,018	S	6/2011	Rutherford	
D658,243	S	4/2012	Saber et al.	
D660,384	S *	5/2012	Saber et al.	D21/707
8,312,844	B2 *	11/2012	Mann	119/709
2007/0207871	A1	9/2007	Traub	

* cited by examiner

Primary Examiner — Catherine Tuttle

(74) *Attorney, Agent, or Firm* — Mind Law Firm, P.C.;
Jerome V. Sartain; Justin G. Sanders

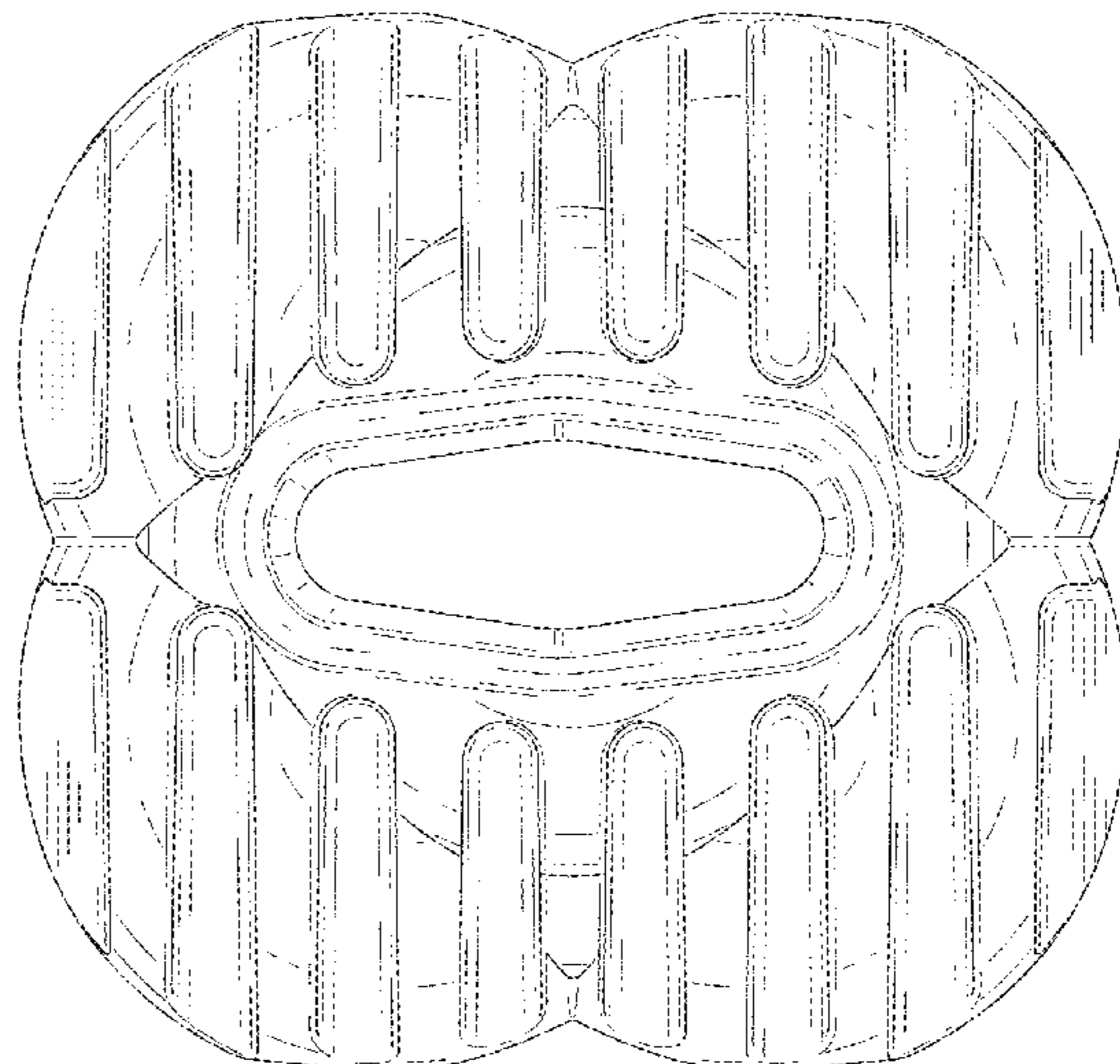
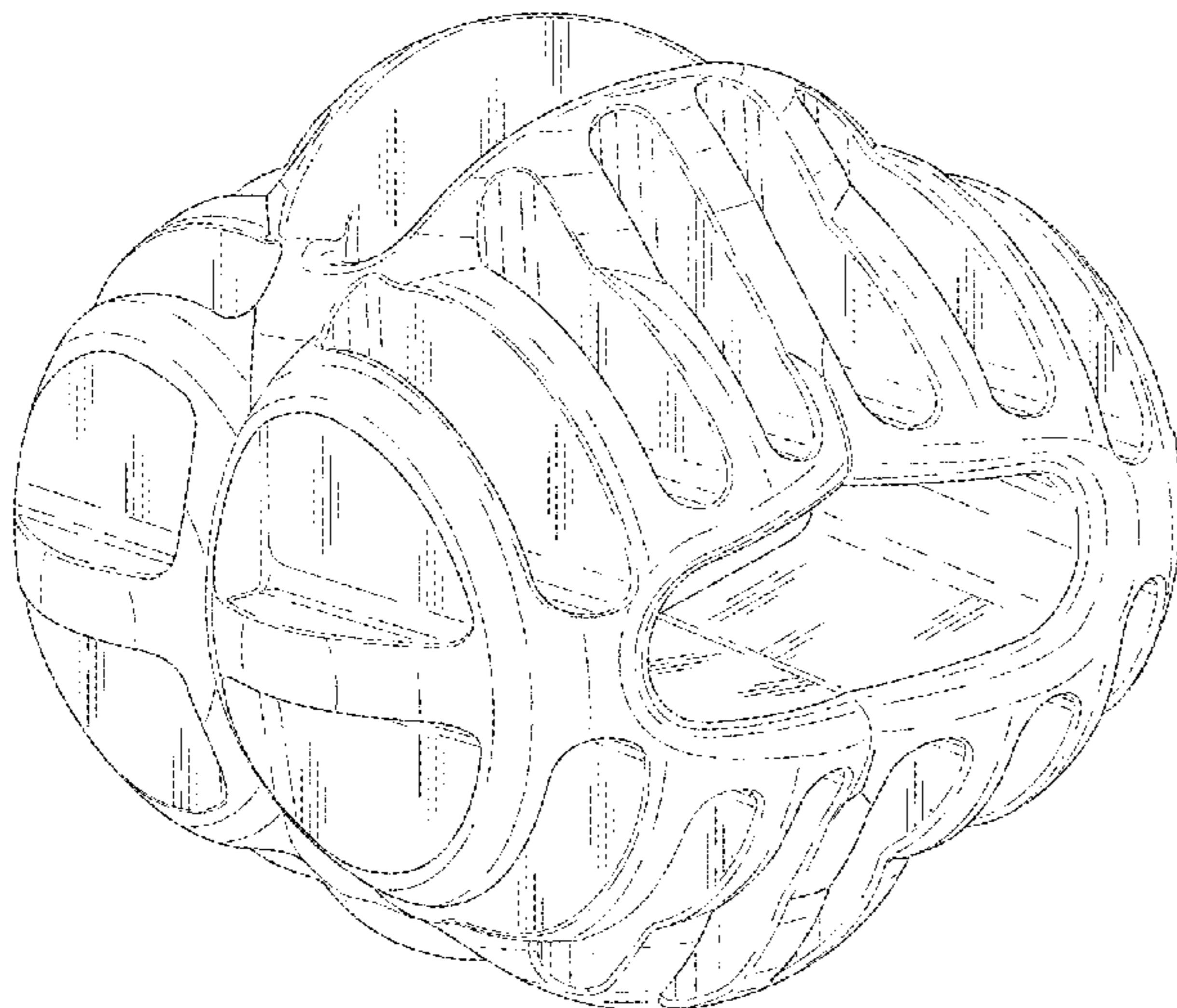
(57) **CLAIM**

The ornamental design for a toy, as shown and described.

DESCRIPTION

FIG. 1 is a perspective view showing our new toy design;
FIG. 2 is a front view thereof;
FIG. 3 is a back view thereof;
FIG. 4 is a top view thereof;
FIG. 5 is a bottom view thereof;
FIG. 6 is a left side view thereof; and,
FIG. 7 is a right side view thereof.

1 Claim, 4 Drawing Sheets



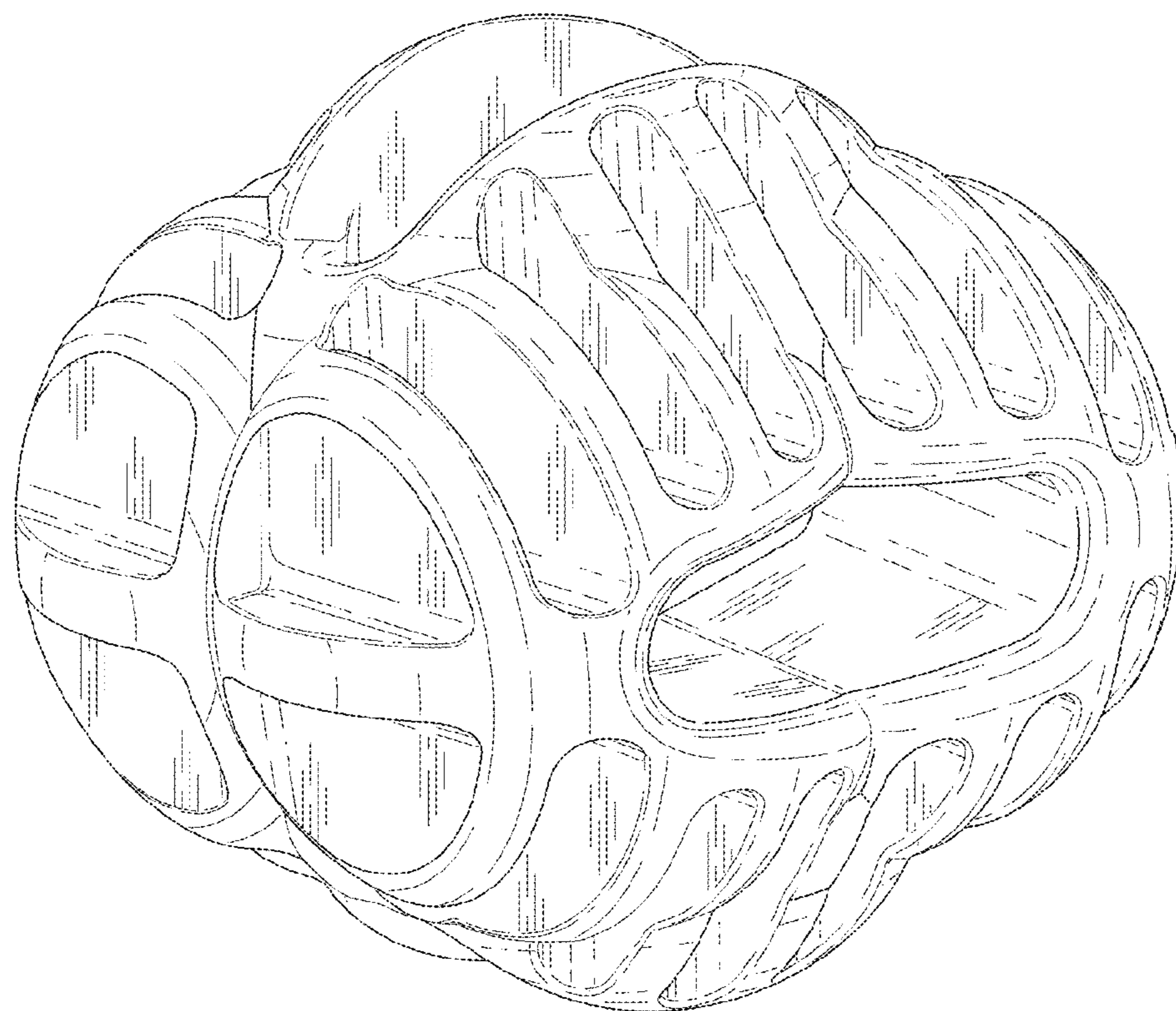


Fig. 1

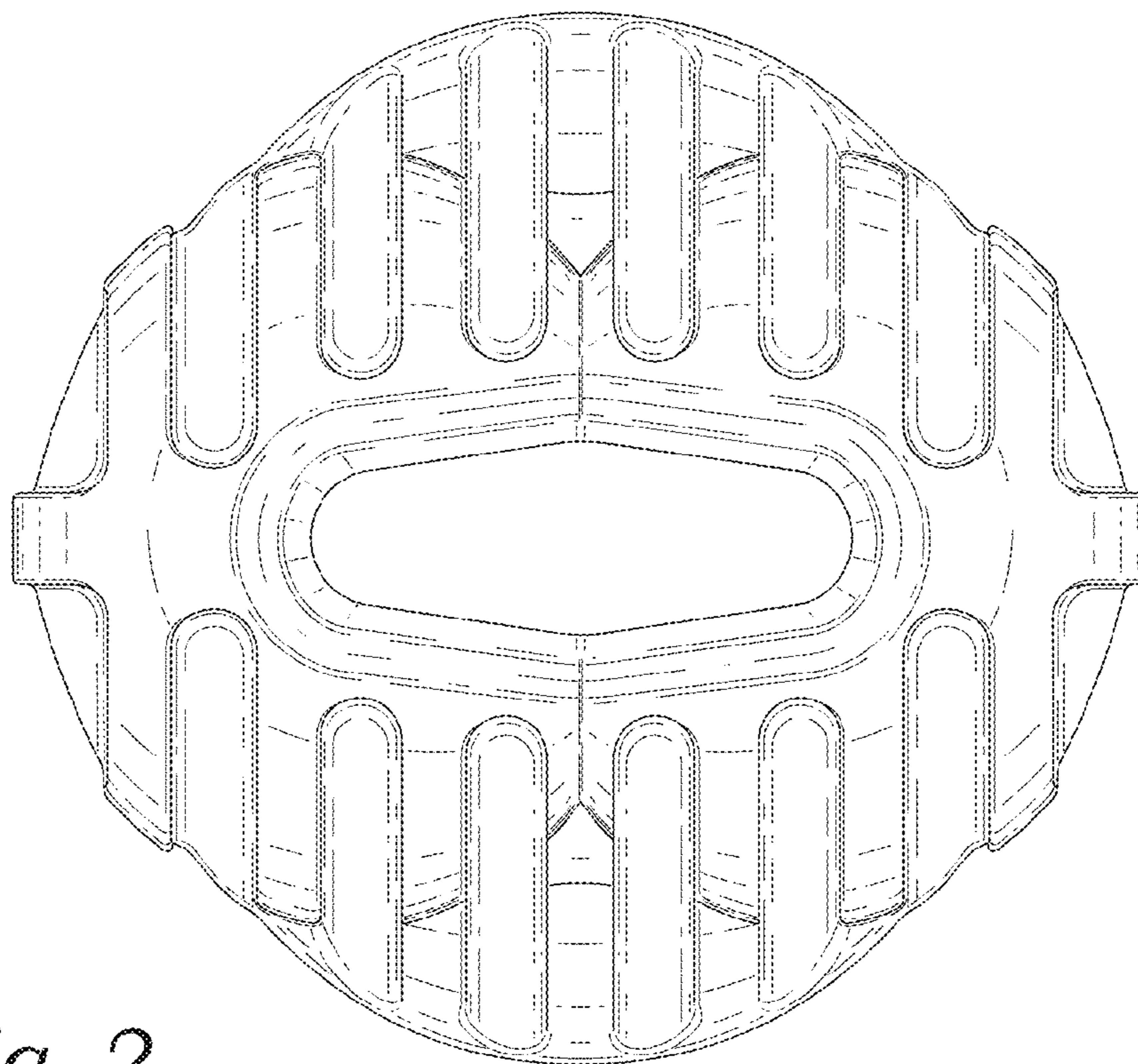


Fig. 2

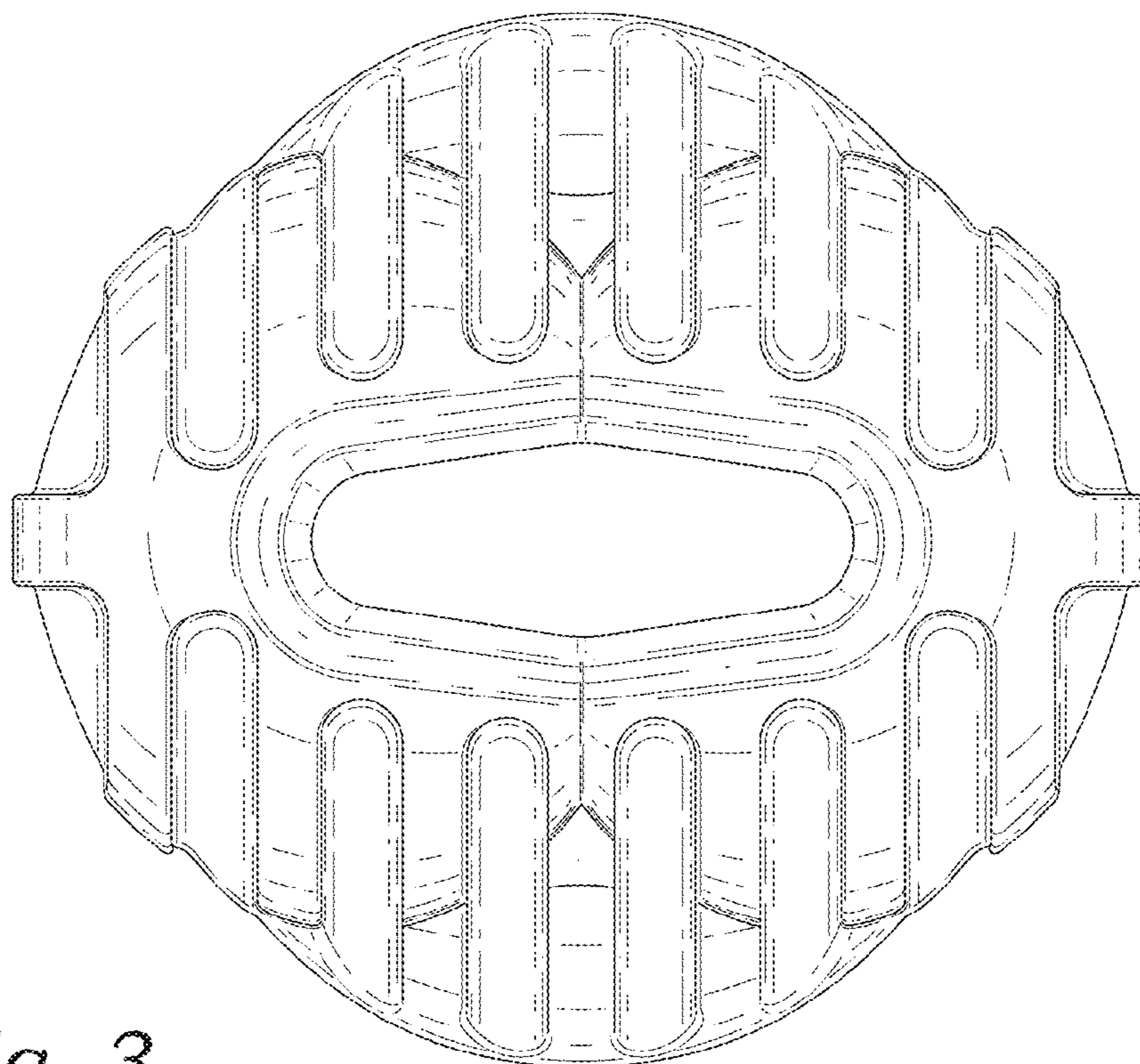


Fig. 3

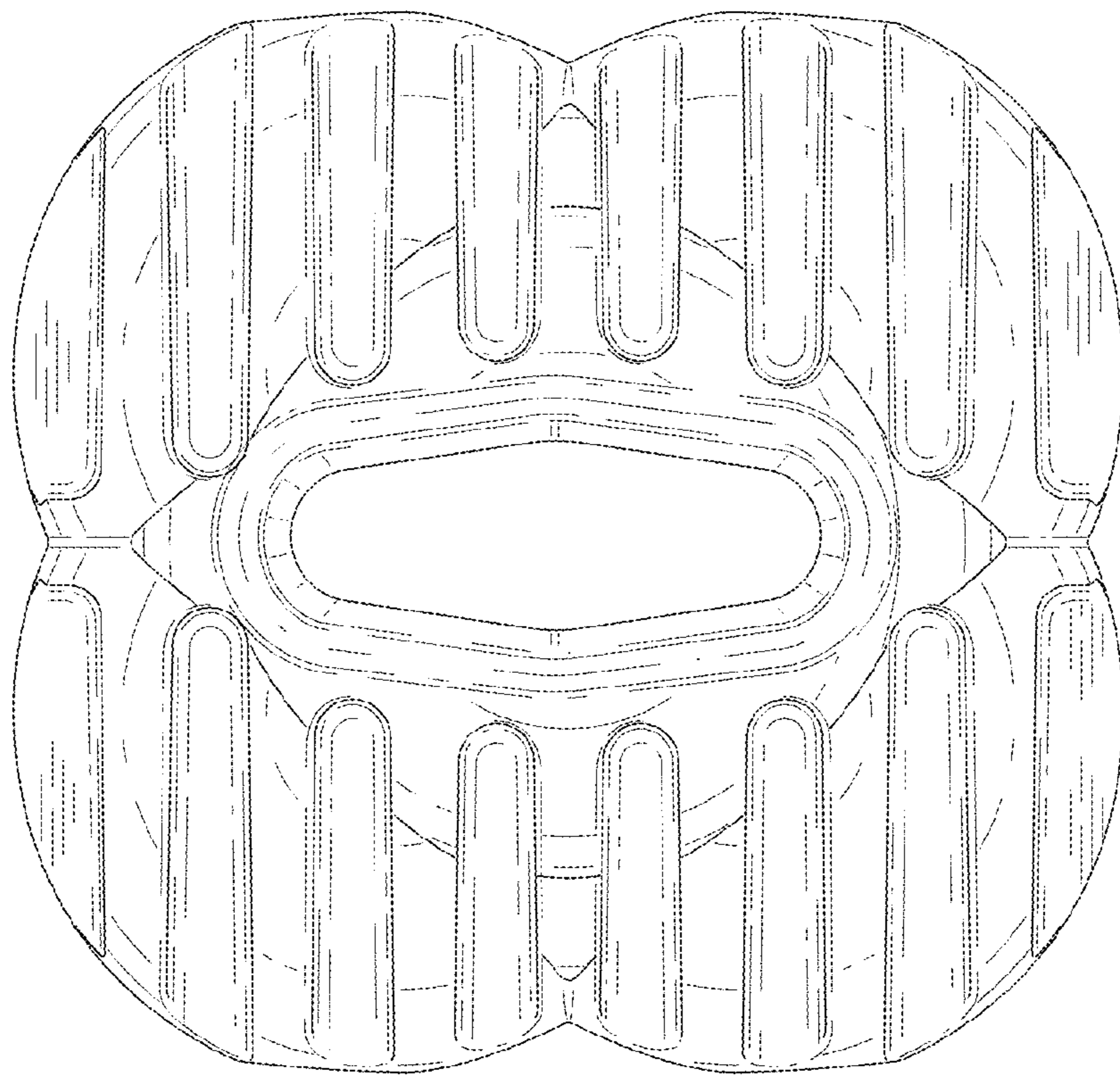


Fig. 4

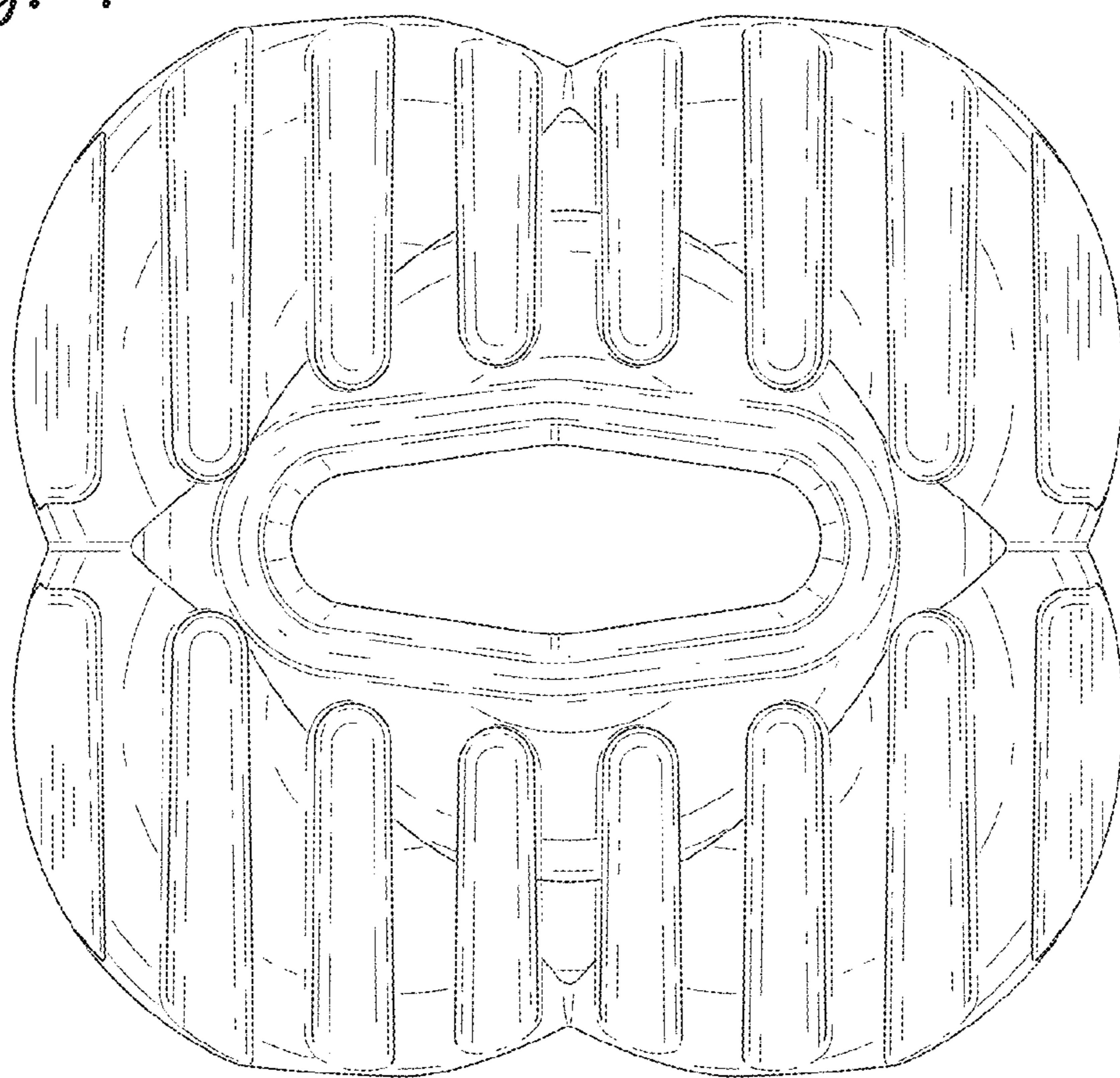


Fig. 5

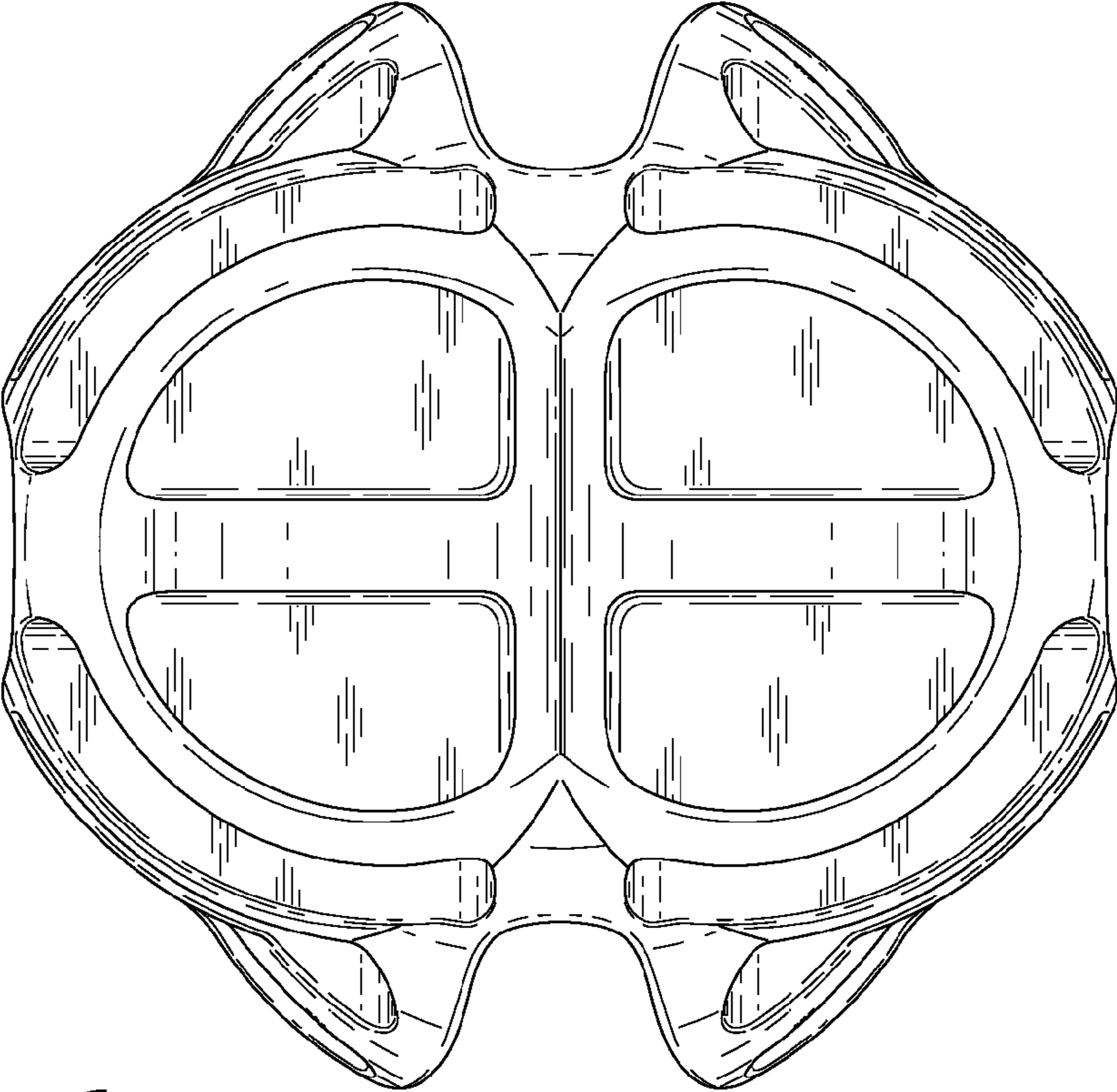


Fig. 6

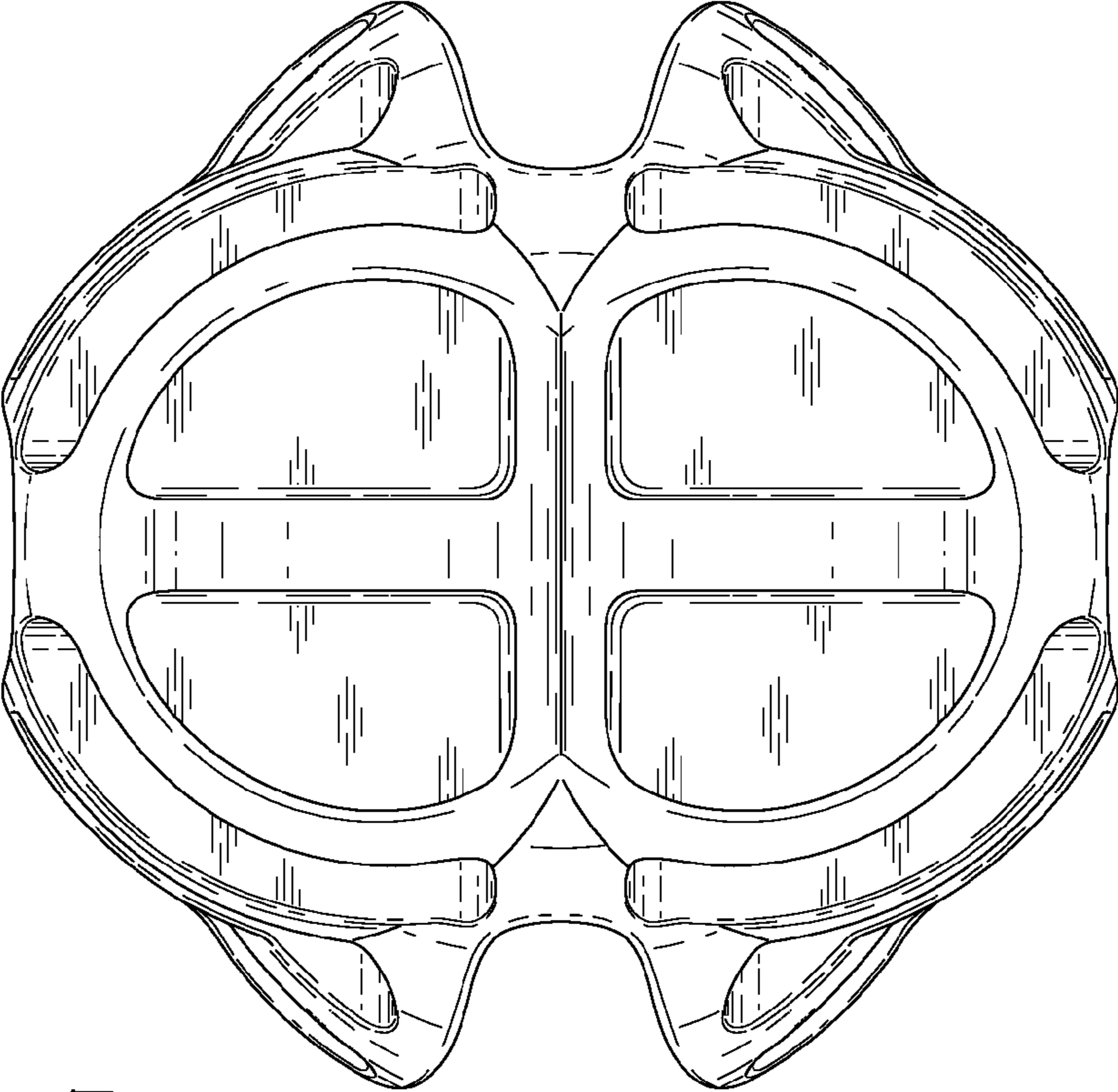


Fig. 7