



US00D695357S

(12) **United States Design Patent**
Shigeta

(10) **Patent No.:** **US D695,357 S**

(45) **Date of Patent:** **** Dec. 10, 2013**

(54) **TABLE GAMING DEVICE FOR PLAYING CARDS**

(75) Inventor: **Yasushi Shigeta**, Osaka (JP)

(73) Assignee: **Angel Playing Cards Co., Ltd.**, Kyoto (JP)

(**) Term: **14 Years**

(21) Appl. No.: **29/412,847**

(22) Filed: **Feb. 8, 2012**

(51) **LOC (9) Cl.** **21-01**

(52) **U.S. Cl.**
USPC **D21/396**

(58) **Field of Classification Search**

USPC D21/307–208, 334–368, 376–397;
273/236–287, 288–291

See application file for complete search history.

(56) **References Cited**

U.S. PATENT DOCUMENTS

D414,527 S * 9/1999 Tedham D21/396
D615,600 S * 5/2010 Scheper et al. D21/396

* cited by examiner

Primary Examiner — George D Kirschbaum

(74) *Attorney, Agent, or Firm* — Amster, Rothstein & Ebenstein LLP

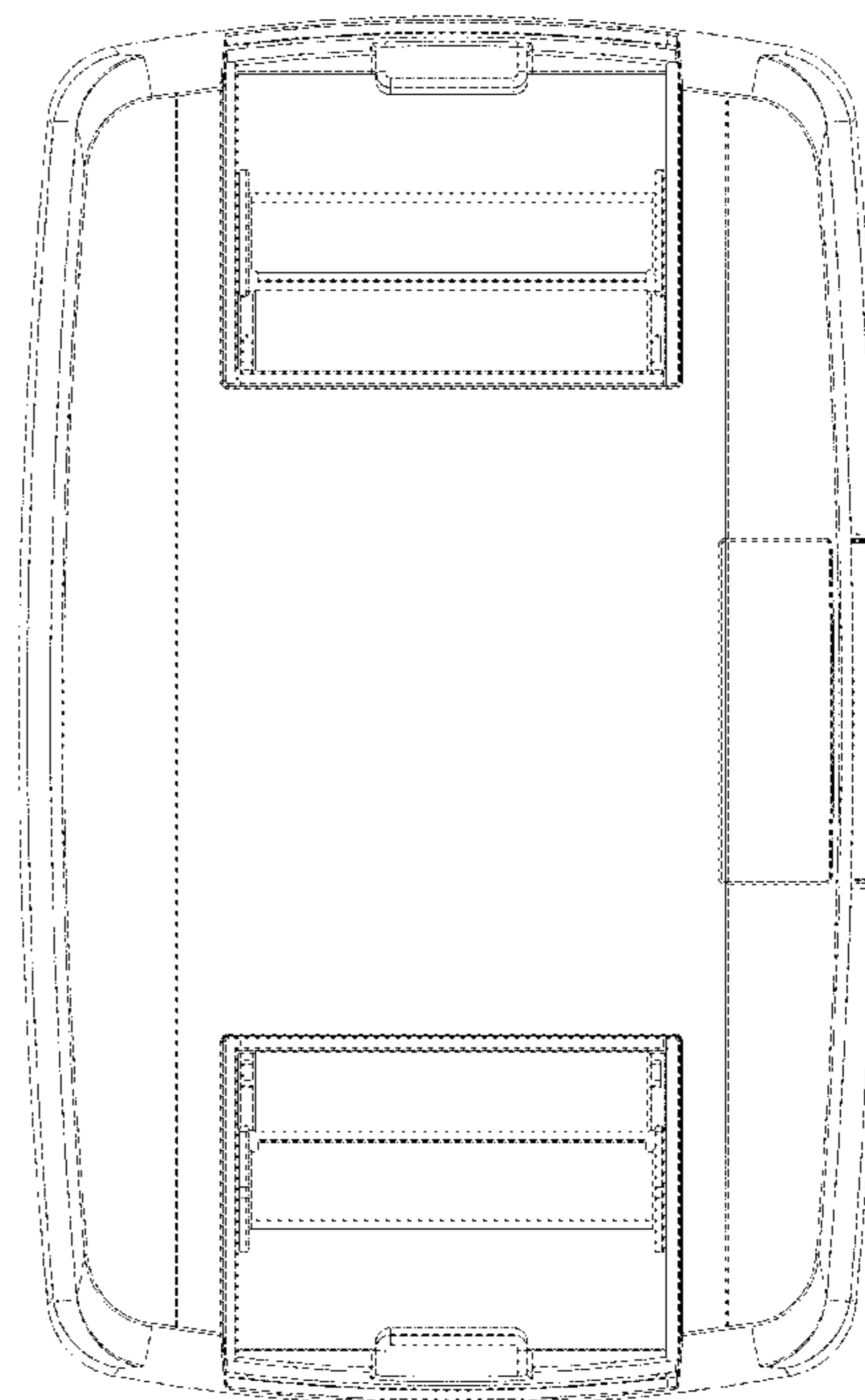
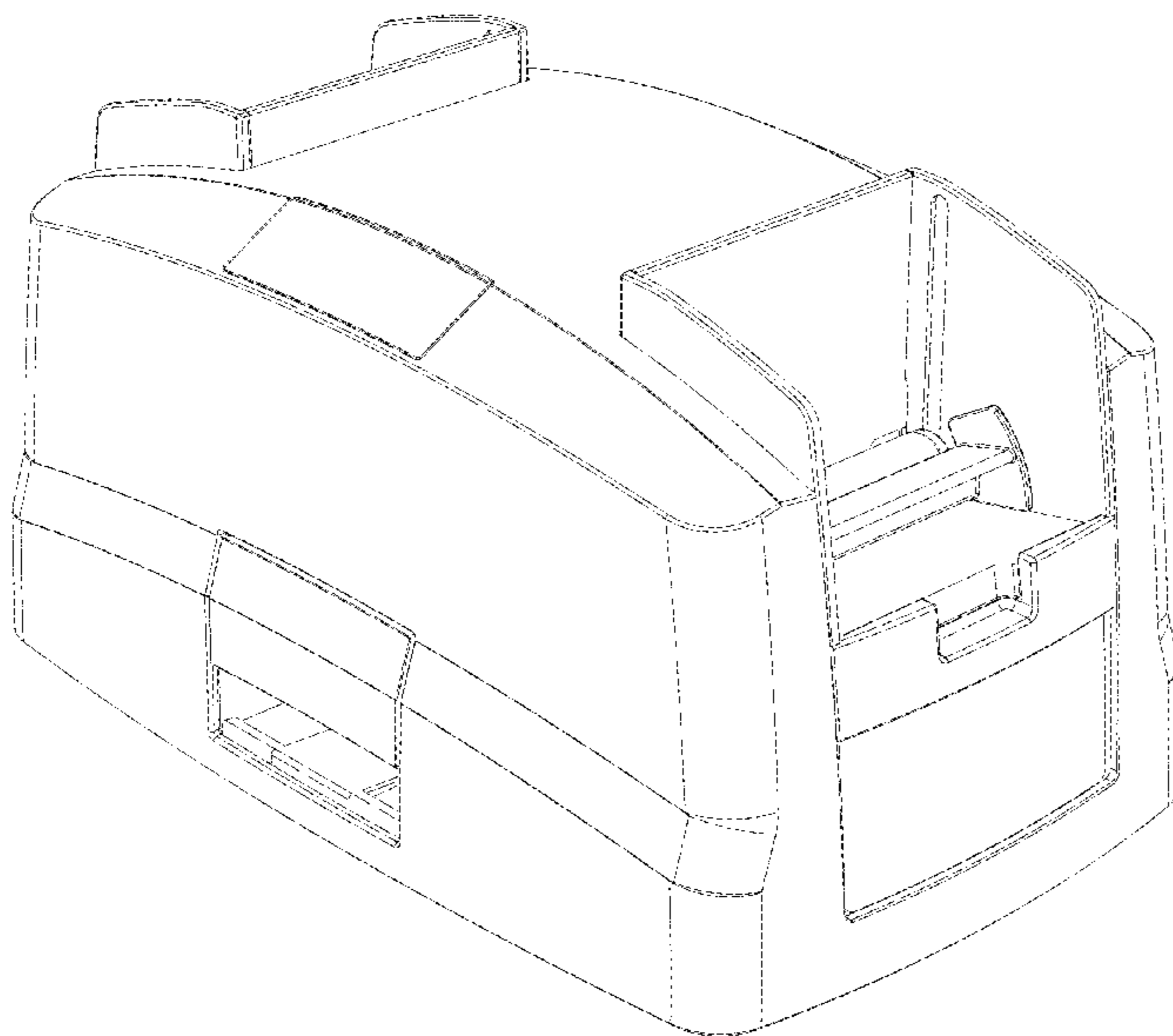
(57) **CLAIM**

I claim, the ornamental design for a table gaming device for playing cards, as shown and described.

DESCRIPTION

FIG. 1 is a perspective view of a table gaming device for playing cards showing my new design;
FIG. 2 is a back plan view thereof;
FIG. 3 is a bottom view thereof;
FIG. 4 is a front view thereof;
FIG. 5 is a side view thereof;
FIG. 6 is a side view thereof opposite to the side shown in FIG. 5; and,
FIG. 7 is a top view thereof.

1 Claim, 7 Drawing Sheets



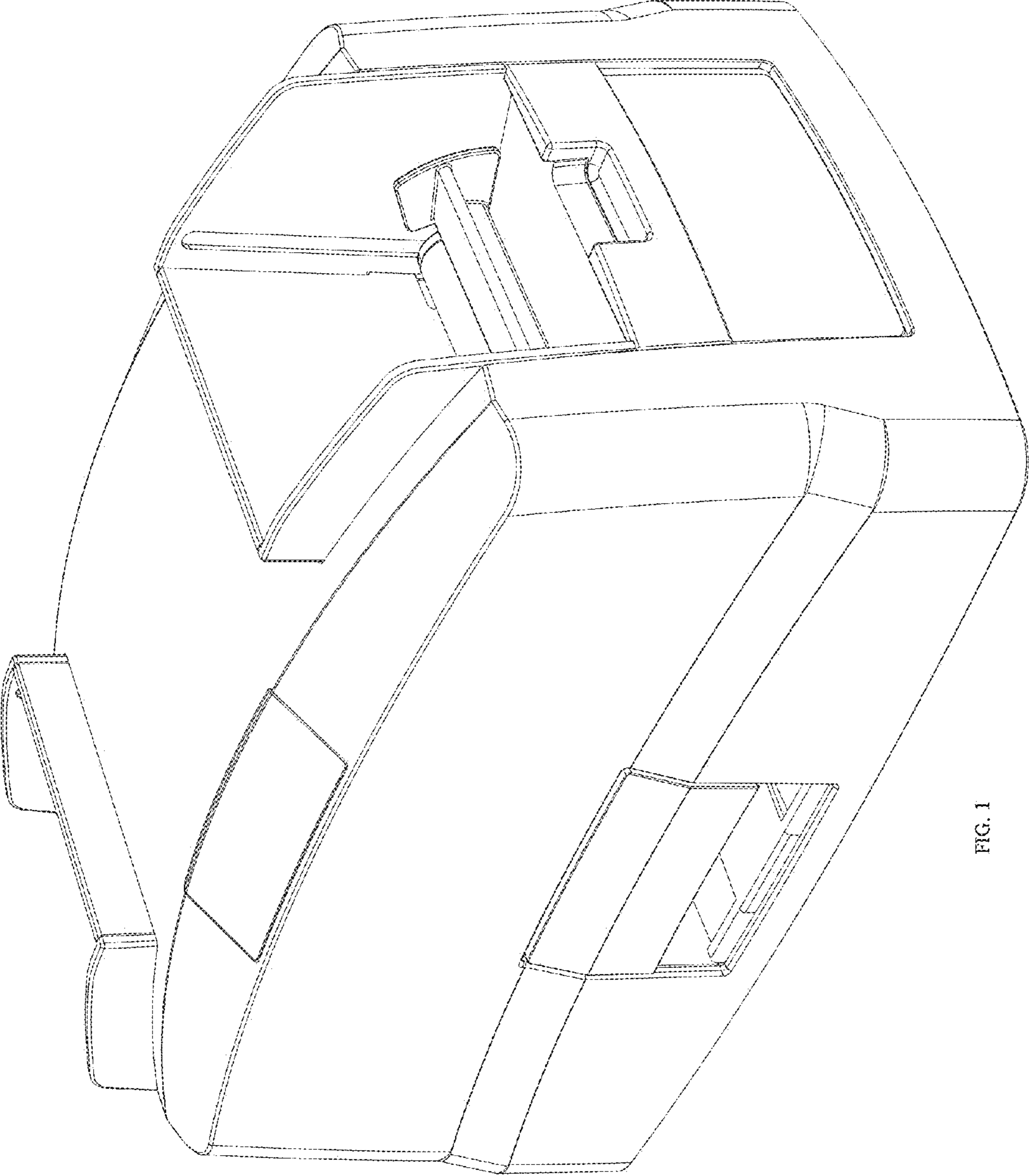


FIG. 1

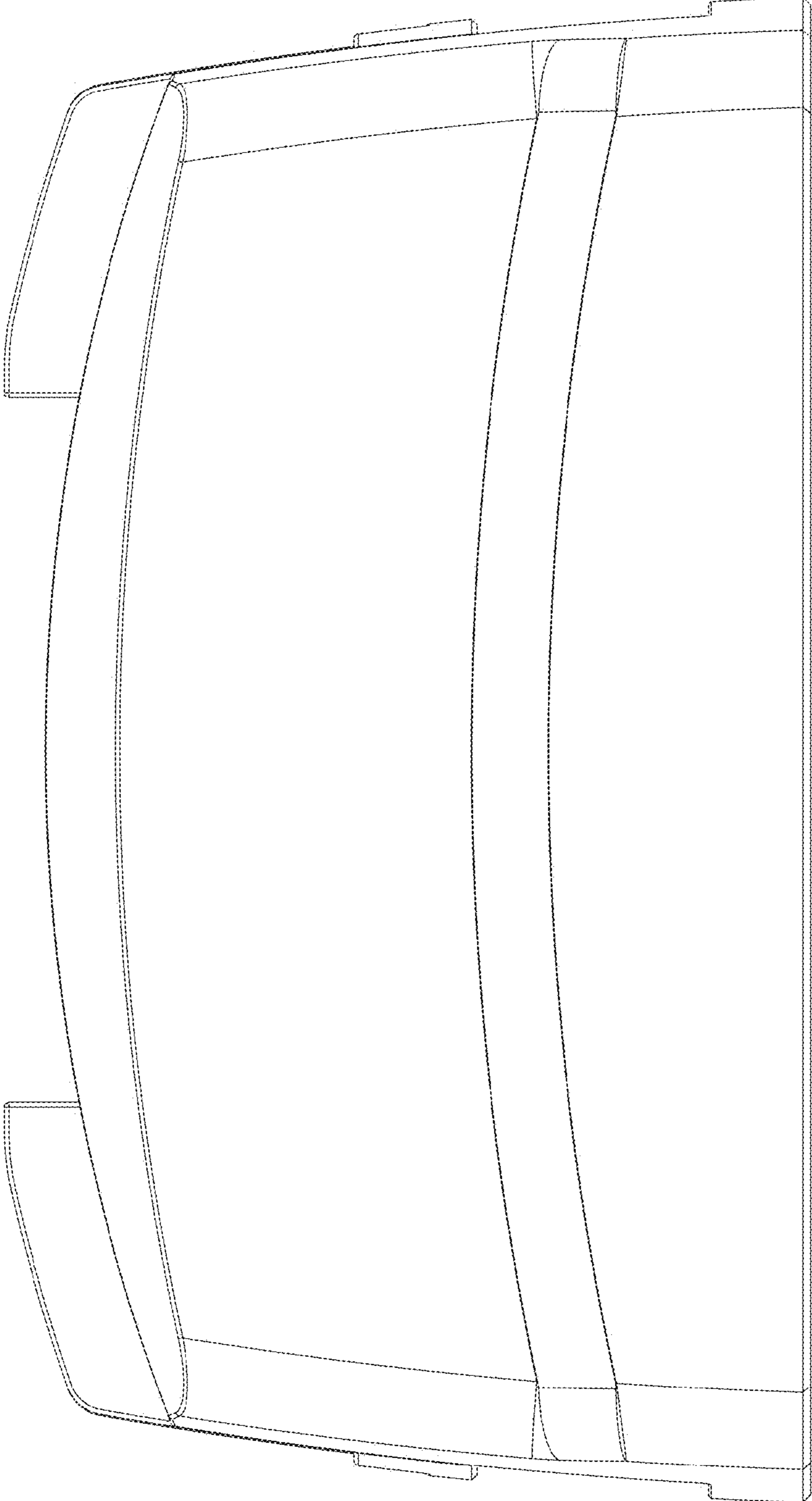


FIG. 2



FIG. 3

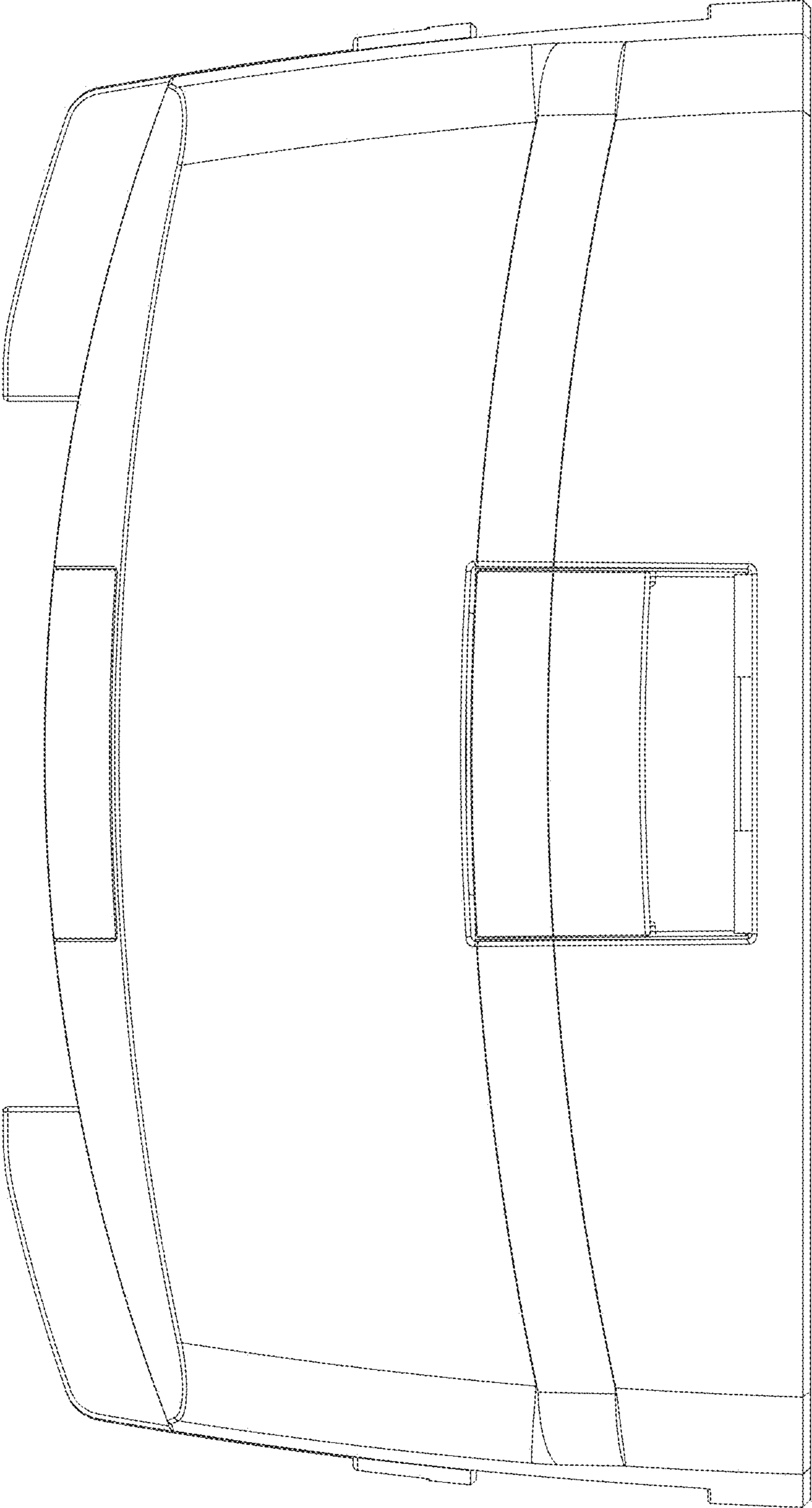


FIG. 4

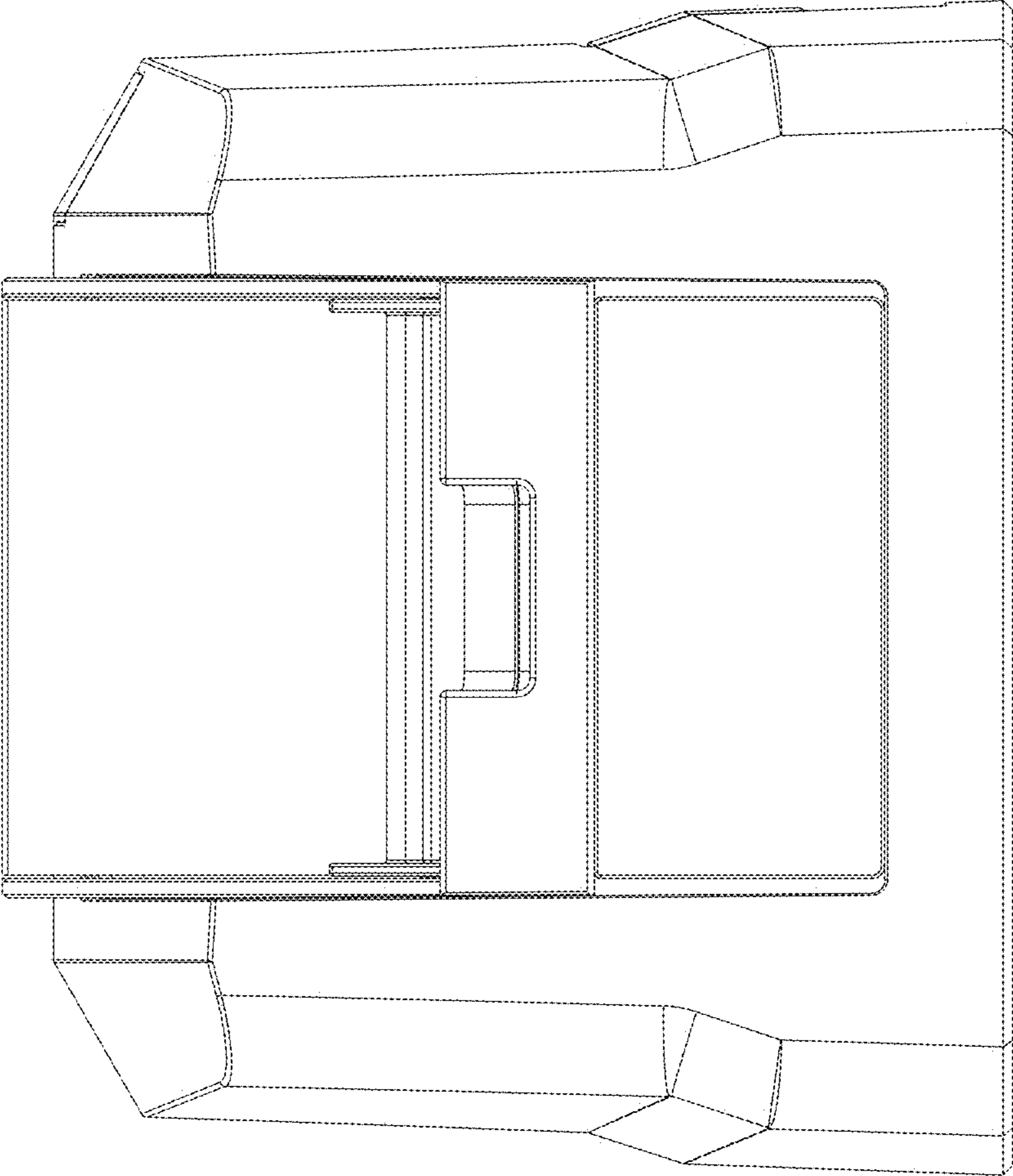


FIG. 5

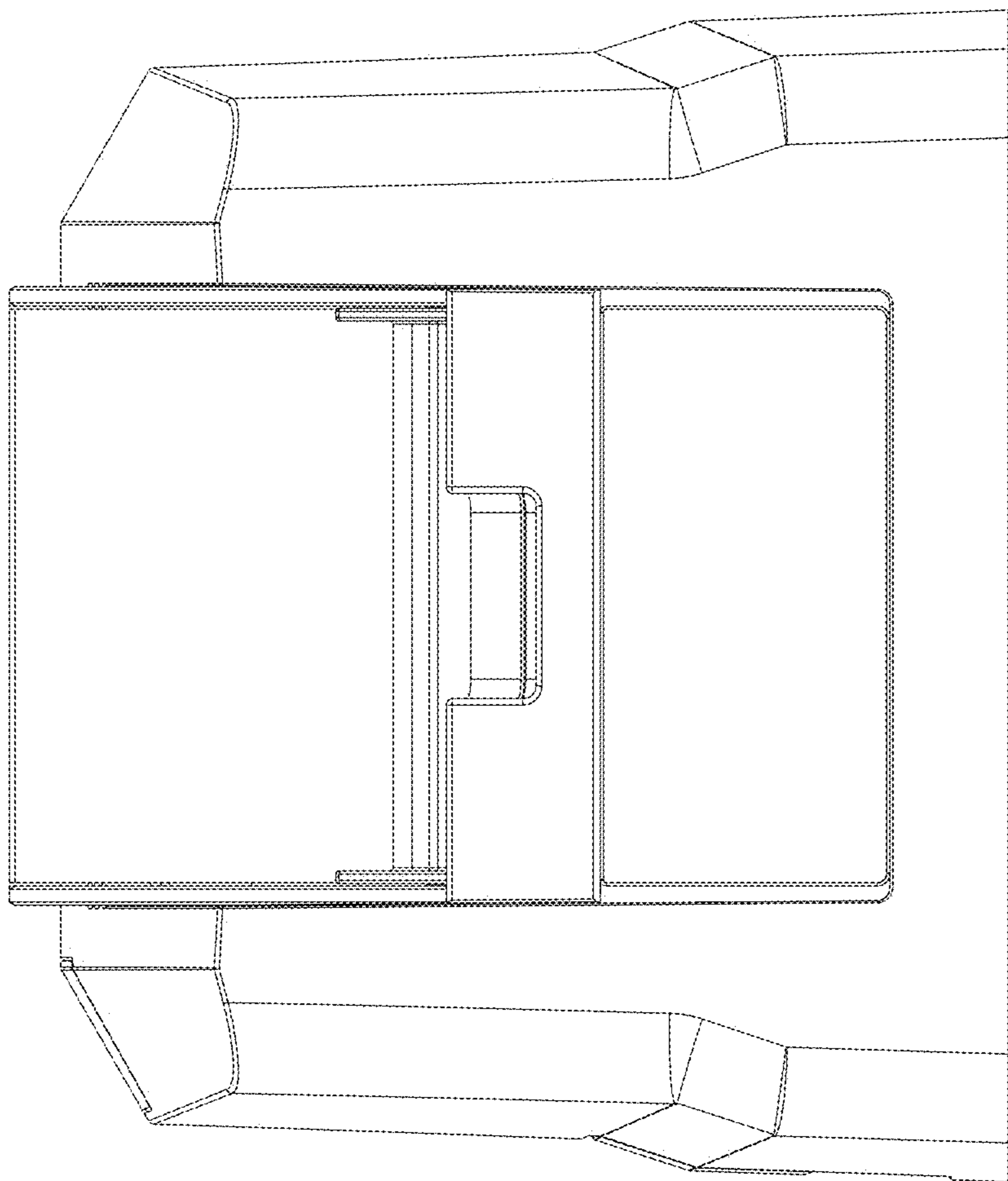


FIG. 6

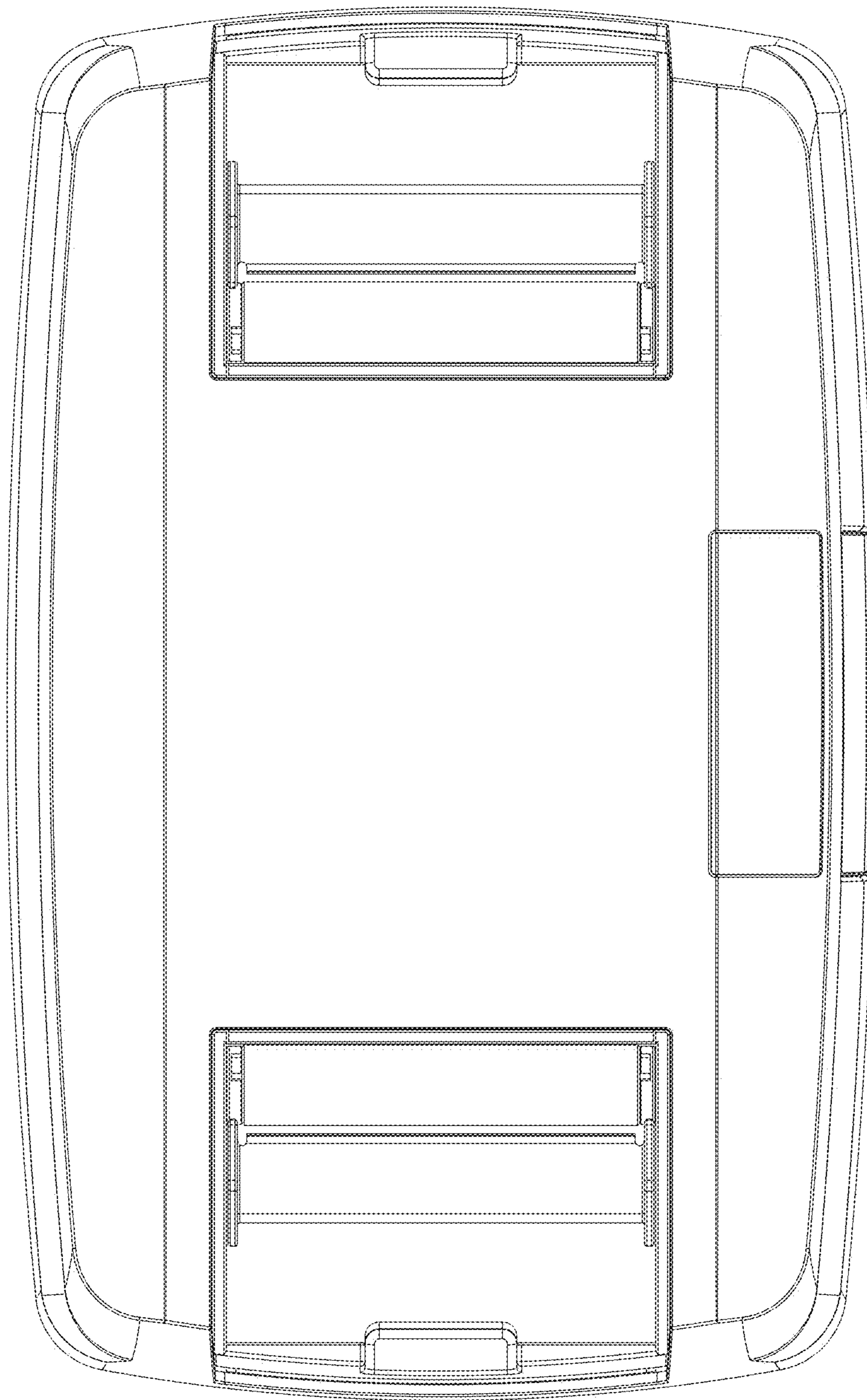


FIG. 7