



US00D695346S

(12) **United States Design Patent**
Kong et al.

(10) **Patent No.:** **US D695,346 S**

(45) **Date of Patent:** **** Dec. 10, 2013**

(54) **PEN AND TABLET HOLDER**

(75) Inventors: **Duck Young Kong**, Grand Rapids, MI (US); **Thomas Overthun**, San Francisco, CA (US); **Elger Oberwelz**, San Francisco, CA (US)

(73) Assignee: **Steelcase Inc.**, Grand Rapids, MI (US)

(**) Term: **14 Years**

(21) Appl. No.: **29/414,113**

(22) Filed: **Feb. 24, 2012**

(51) **LOC (9) Cl.** **19-02**

(52) **U.S. Cl.**
USPC **D19/78**

(58) **Field of Classification Search**
USPC D3/206, 304, 307, 308, 309, 310, 311, D3/312, 313, 314, 315; D19/75, 77, 78, D19/81, 84, 85; 206/214, 371, 425; 220/500, 516, 553, 555, 769; 211/45
See application file for complete search history.

(56) **References Cited**

U.S. PATENT DOCUMENTS

1,929,433	A	*	10/1933	Kenny	220/767
D198,236	S	*	5/1964	Schaefer	D3/308
3,907,105	A	*	9/1975	Nowak	206/216
4,119,200	A	*	10/1978	Cassidy et al.	206/387.1
D252,479	S	*	7/1979	Goeden	D3/306
D329,135	S	*	9/1992	Embree	D3/308
D364,039	S	*	11/1995	Kruger	D3/315
D367,172	S	*	2/1996	Brightbill et al.	D3/310
D386,616	S	*	11/1997	Nimer	D3/308
5,865,409	A	*	2/1999	Nimer	248/210
D484,011	S	*	12/2003	Strobel et al.	D7/706

D557,047	S	*	12/2007	Dretzka	D6/510
D600,017	S	*	9/2009	Christie	D3/304
7,921,994	B2	*	4/2011	Lee et al.	206/229
D643,311	S	*	8/2011	Meyers	D9/761
2009/0032538	A1	*	2/2009	Lee et al.	220/525

OTHER PUBLICATIONS

X-Pegs Sales Sheet, downloaded on Feb. 20, 2012 from www.nexusbyghent.com/assets/files/Nexus_XPeg.pdf (2 pages).
Caddy Sales Sheet, downloaded on Feb. 20, 2012 from www.nexusbyghent.com/assets/files/Nexus_Caddy.pdf (2 pages).
X-Hangers Sales Sheet, downloaded on Feb. 20, 2012 from www.nexusbyghent.com/assets/files/NexusX-HangersSellSheet.pdf (2 pages).

* cited by examiner

Primary Examiner — Elizabeth Albert

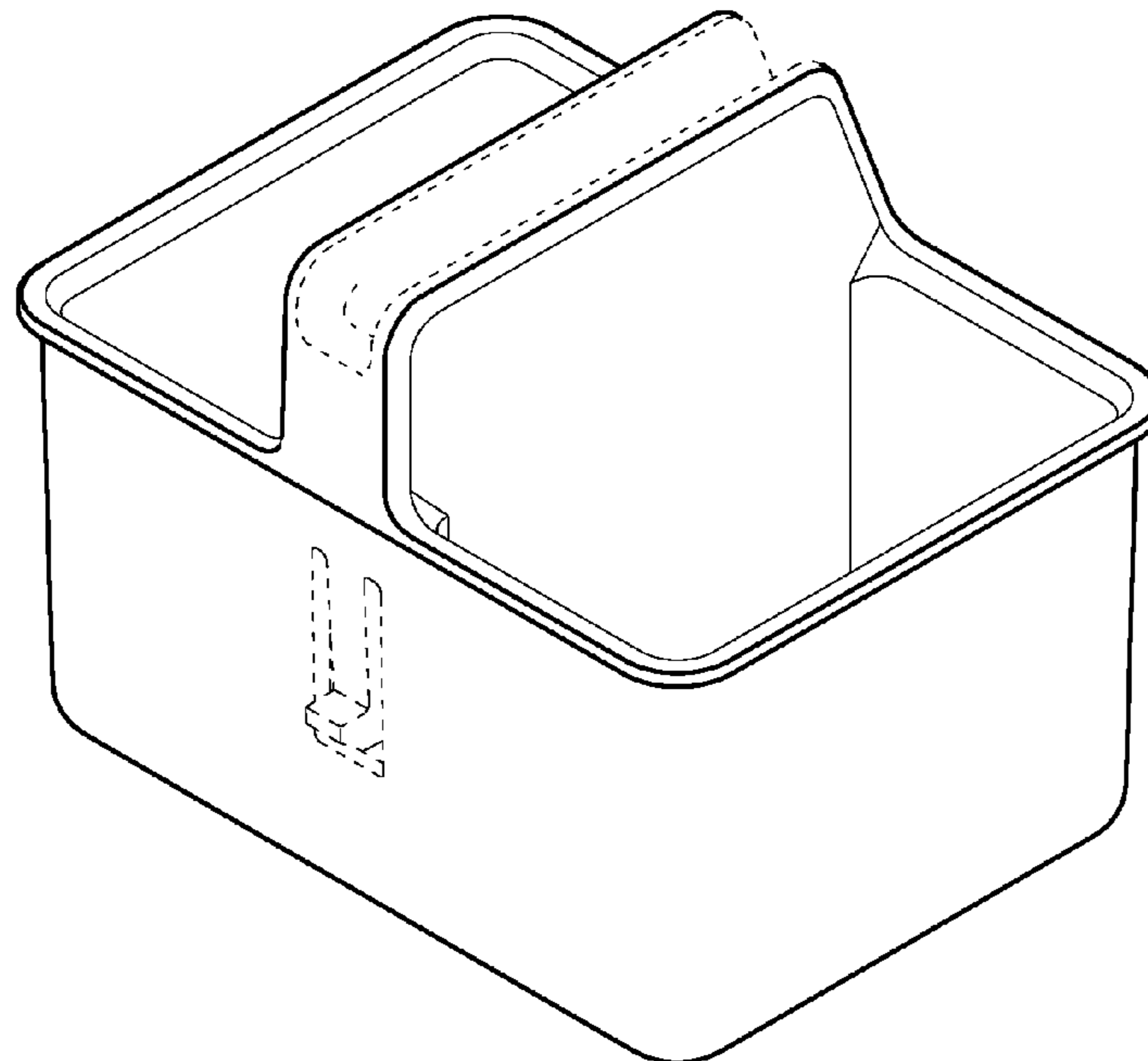
(57) **CLAIM**

We claim the ornamental design for a pen and tablet holder, as shown and described.

DESCRIPTION

FIG. 1 is a front perspective view of a pen and tablet holder, according to an embodiment;
FIG. 2 is a front view of a pen and tablet holder of FIG. 1;
FIG. 3 is a rear view of a pen and tablet holder of FIG. 1;
FIG. 4 is a left side view of a pen and tablet holder of FIG. 1;
FIG. 5 is a right side view of a pen and tablet holder of FIG. 1;
FIG. 6 is a top view of a pen and tablet holder of FIG. 1; and, FIG. 7 is a bottom view of a pen and tablet holder of FIG. 1. The broken lines in FIGS. 1-7 are included for the purpose of showing portions of the pen and tablet holder that form no part of the claimed design.

1 Claim, 2 Drawing Sheets



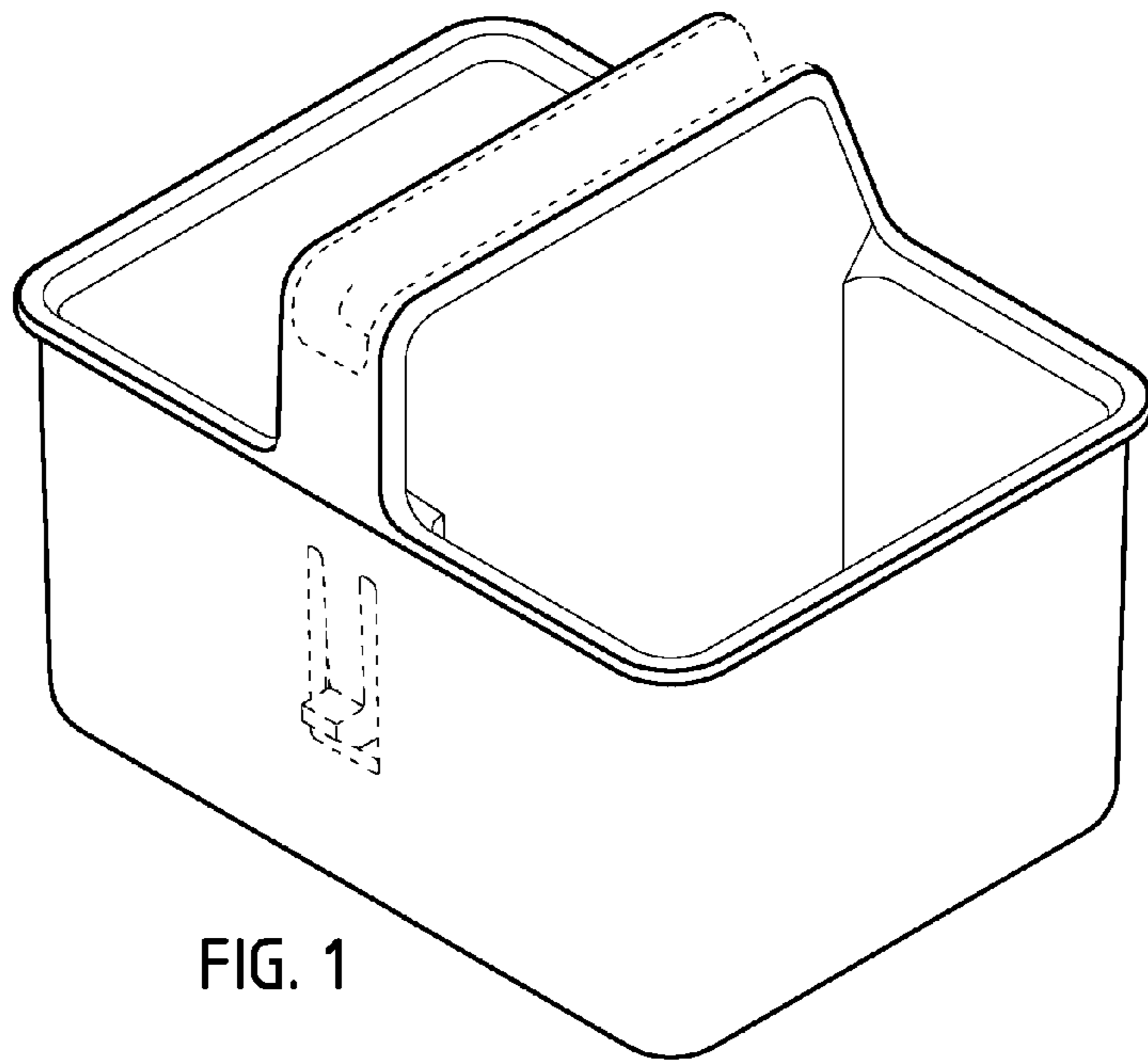


FIG. 1

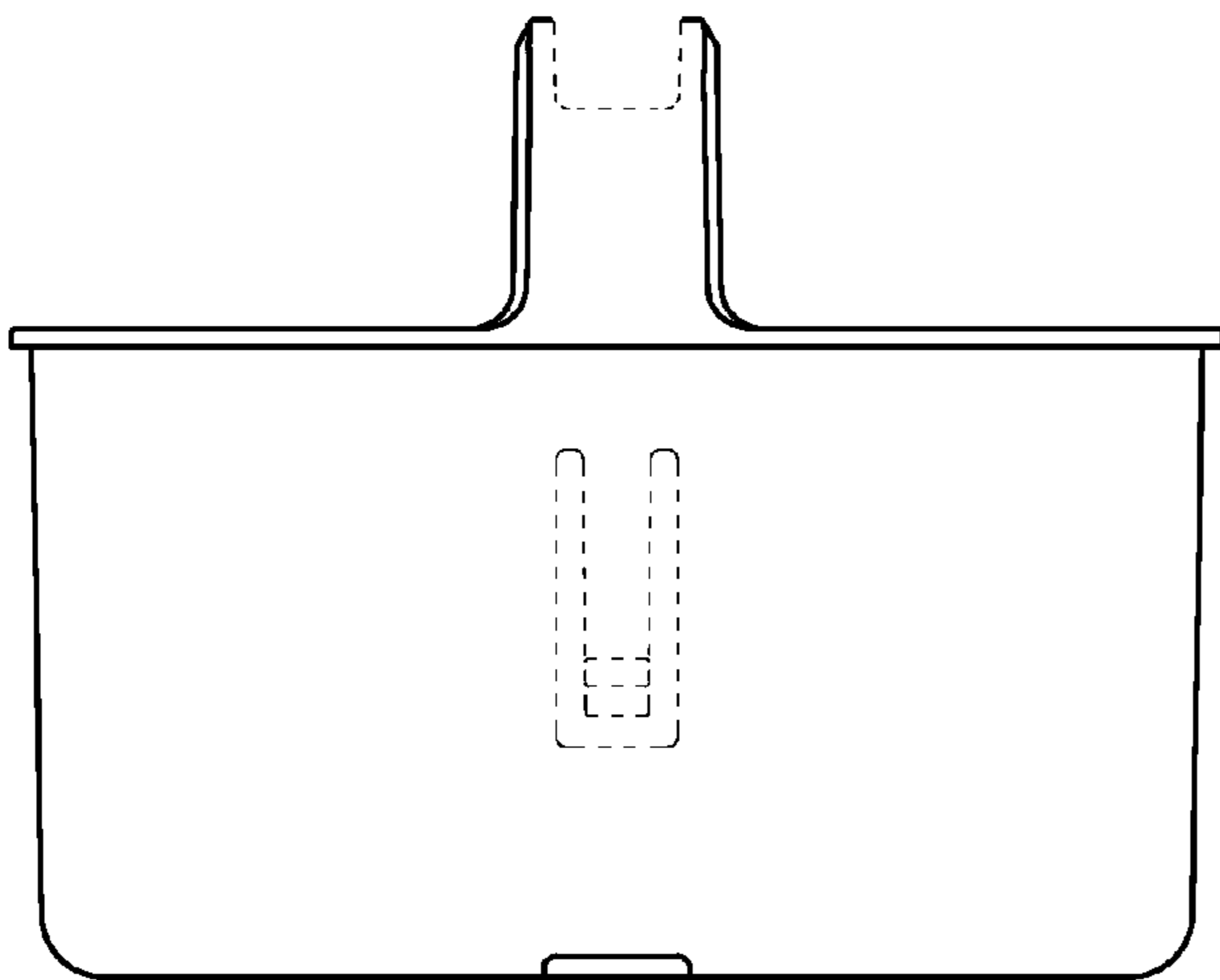


FIG. 2

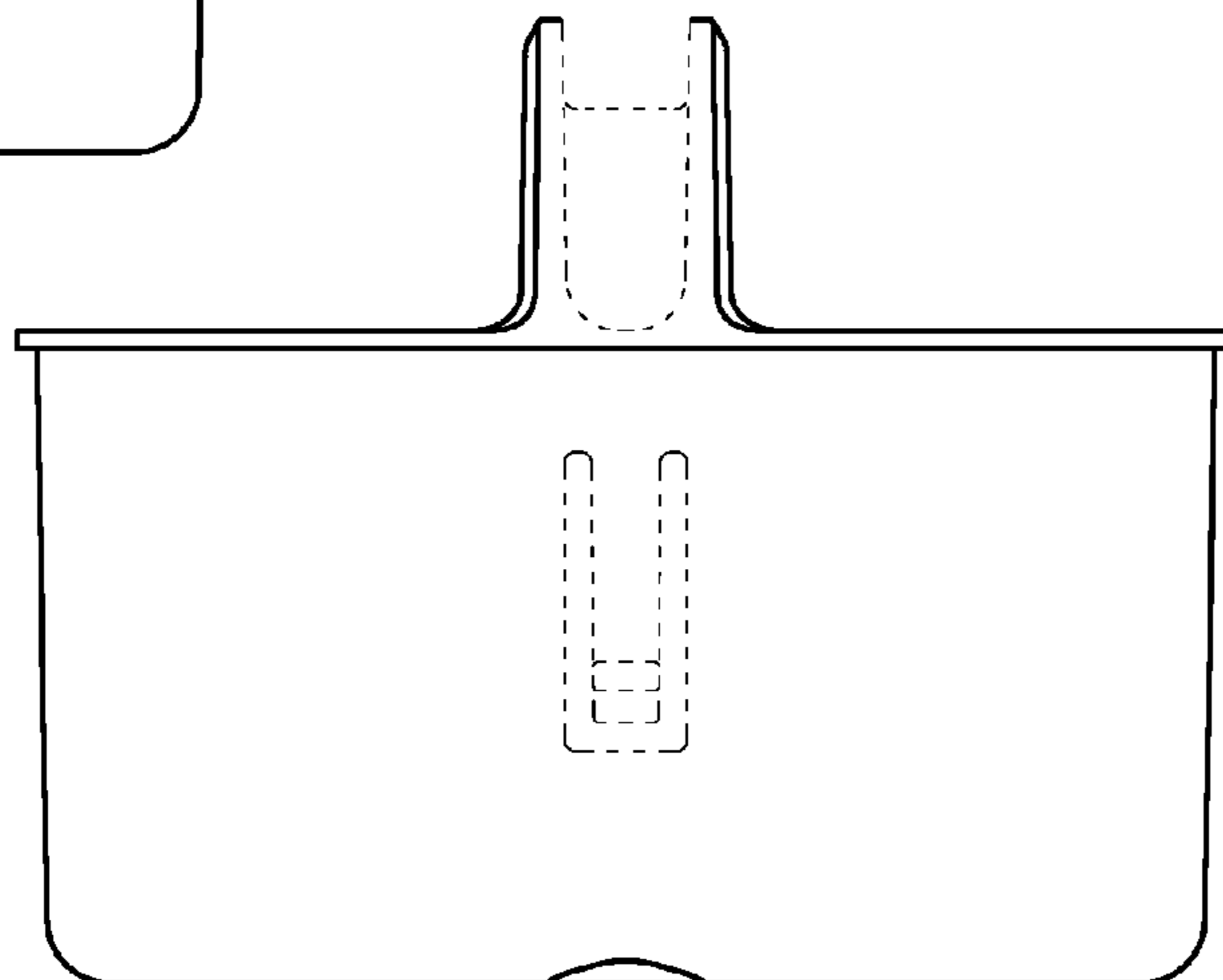


FIG. 3

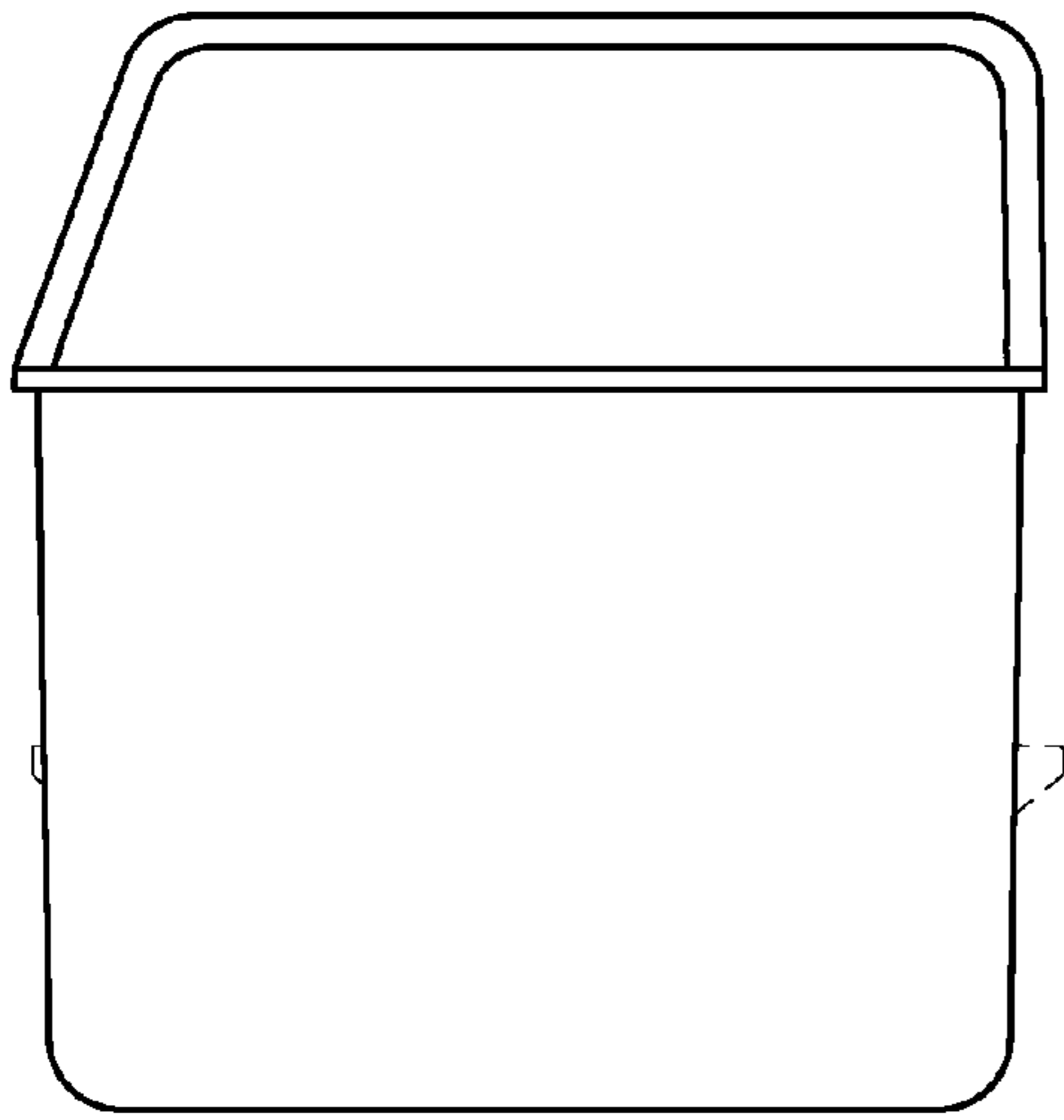


FIG. 4

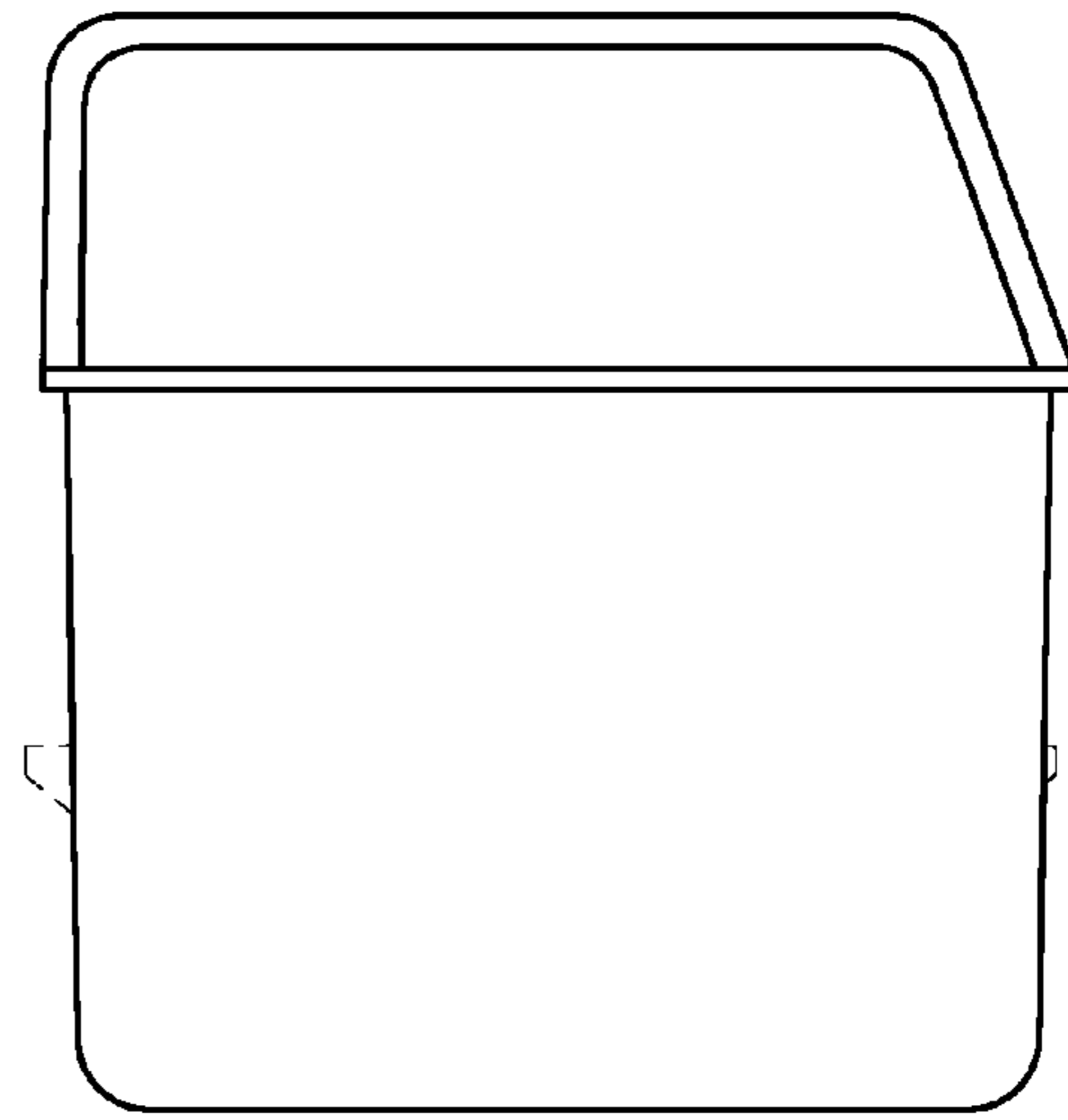


FIG. 5

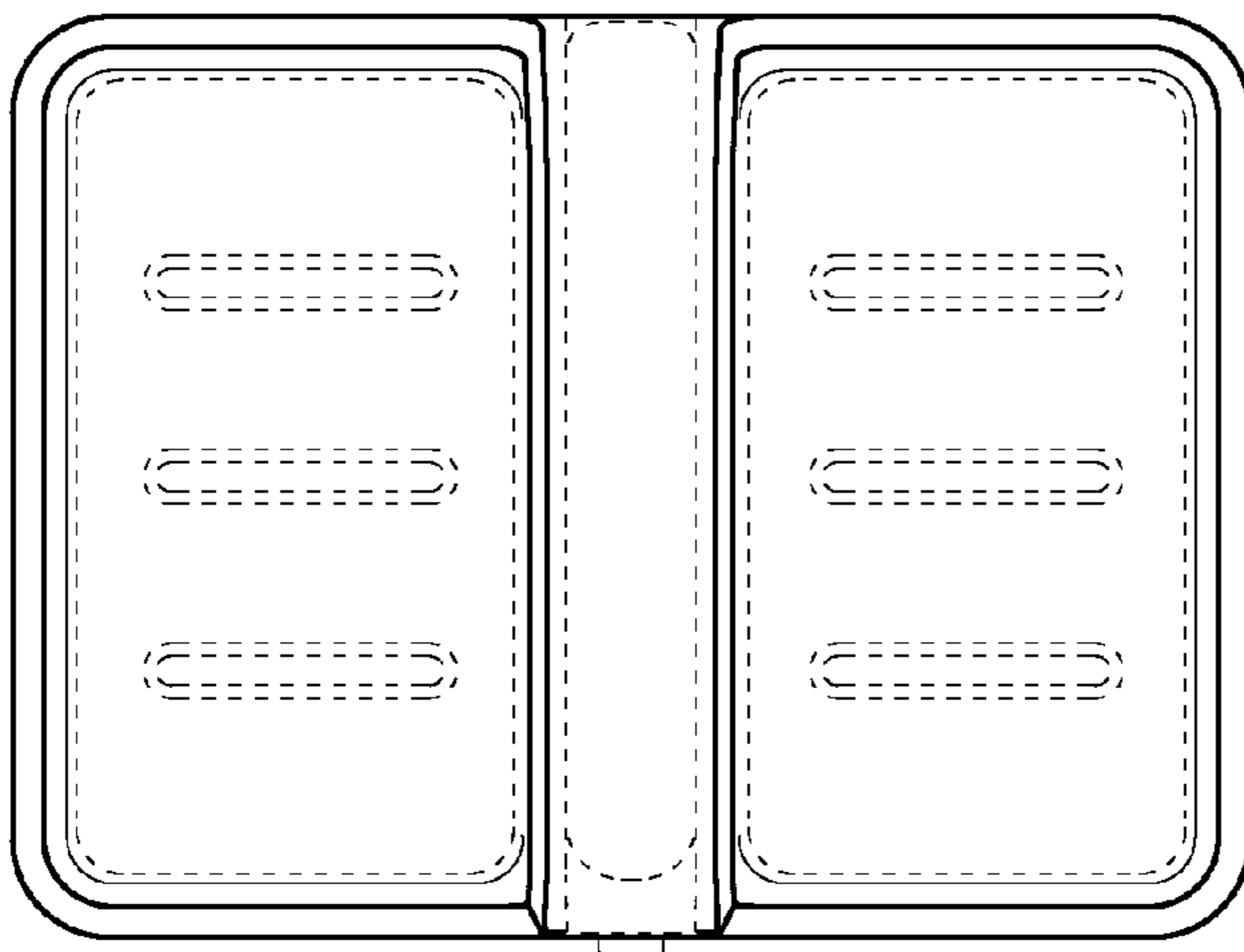


FIG. 6

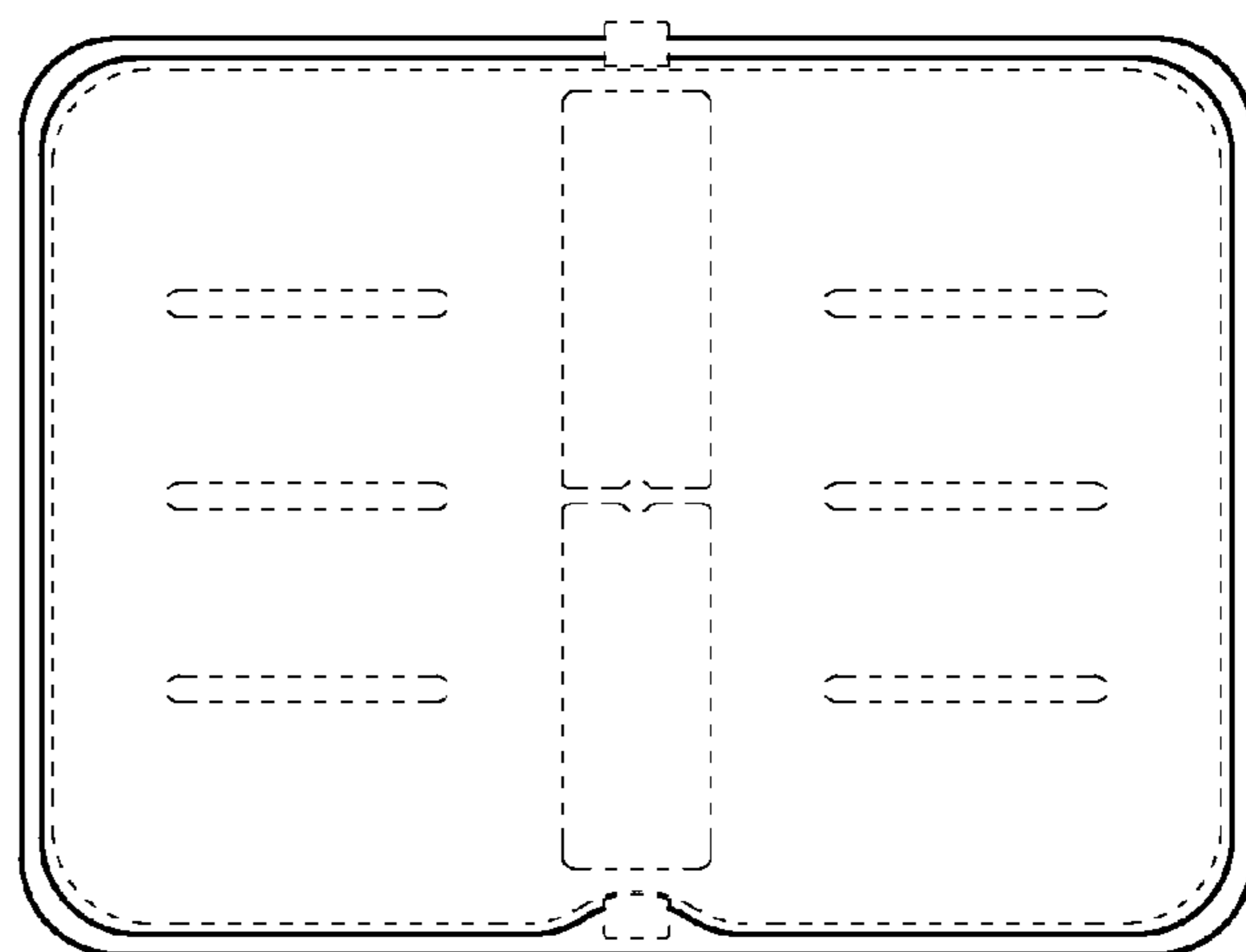


FIG. 7