



US00D695345S

(12) **United States Design Patent**
Park et al.

(10) **Patent No.:** **US D695,345 S**
(45) **Date of Patent:** **** Dec. 10, 2013**

(54) **EDUCATIONAL ROBOT**

(75) Inventors: **Hae-Jung Park**, Seoul (KR);
Heon-Moon Lim, Seoul (KR);
Gun-Yong Lee, Kyeonggi-do (KR);
Min-Yong Kwon, Seoul (KR); **Kyung Lee**, Seoul (KR); **Sung-Ju Hong**,
Kyeonggi-do (KR)

(73) Assignee: **KT Corporation**, Kyeonggi-do (KR)

(**) Term: **14 Years**

(21) Appl. No.: **29/408,844**

(22) Filed: **Dec. 16, 2011**

(30) **Foreign Application Priority Data**

Jul. 22, 2011 (KR) 30-2011-0030641

(51) **LOC (9) Cl.** **19-07**

(52) **U.S. Cl.**
USPC **D19/59**

(58) **Field of Classification Search**

USPC D19/59-64; D15/199; D21/621,
D21/578-583, 470, 592, 531, 576, 585,
D21/595; 434/156-185; 446/99, 268,
446/360-361, 382-384

See application file for complete search history.

(56) **References Cited**

U.S. PATENT DOCUMENTS

D293,345 S * 12/1987 Takizawa D21/578
D324,075 S * 2/1992 Leung D19/64
D350,794 S * 9/1994 Bro et al. D19/59
D370,703 S * 6/1996 Preziosi D21/578
D434,799 S * 12/2000 Wood D19/60

D450,788 S * 11/2001 Kawasaki D21/578
D461,512 S * 8/2002 Pohl D21/578
D497,645 S * 10/2004 Garcia D19/59
6,843,655 B1 * 1/2005 Duprey 434/133
D515,639 S * 2/2006 Robinson D21/578
D532,456 S * 11/2006 Wu D19/59
D563,443 S * 3/2008 Ahn et al. D15/199
D579,035 S * 10/2008 Kim et al. D15/199
D608,845 S * 1/2010 Tang D21/592
7,766,716 B2 * 8/2010 Fong et al. 446/99
D635,603 S * 4/2011 Paz Rodriguez D15/199
D636,448 S * 4/2011 Eisenstein et al. D21/621
D638,074 S * 5/2011 Wong D21/621
D650,869 S * 12/2011 Eisenstein et al. D21/621
D663,333 S * 7/2012 Kitano et al. D15/199

* cited by examiner

Primary Examiner — T. Chase Nelson

Assistant Examiner — Mark Cavanna

(74) *Attorney, Agent, or Firm* — IP & T Group LLP

(57) **CLAIM**

We claim the ornamental design for an educational robot, as shown and described.

DESCRIPTION

FIG. 1 is a top front perspective view of an educational robot showing the new design; and

FIG. 2 is a front elevational view of the educational robot;

FIG. 3 is a back elevational view of the educational robot;

FIG. 4 is a right side elevational view of the educational robot;

FIG. 5 is a left side elevational view of the educational robot;

FIG. 6 is a top plan view of the educational robot; and,

FIG. 7 is a bottom plan view of the educational robot.

The broken lines are included for the purpose of illustrating portions of the educational robot that form no part of the claimed design.

1 Claim, 7 Drawing Sheets

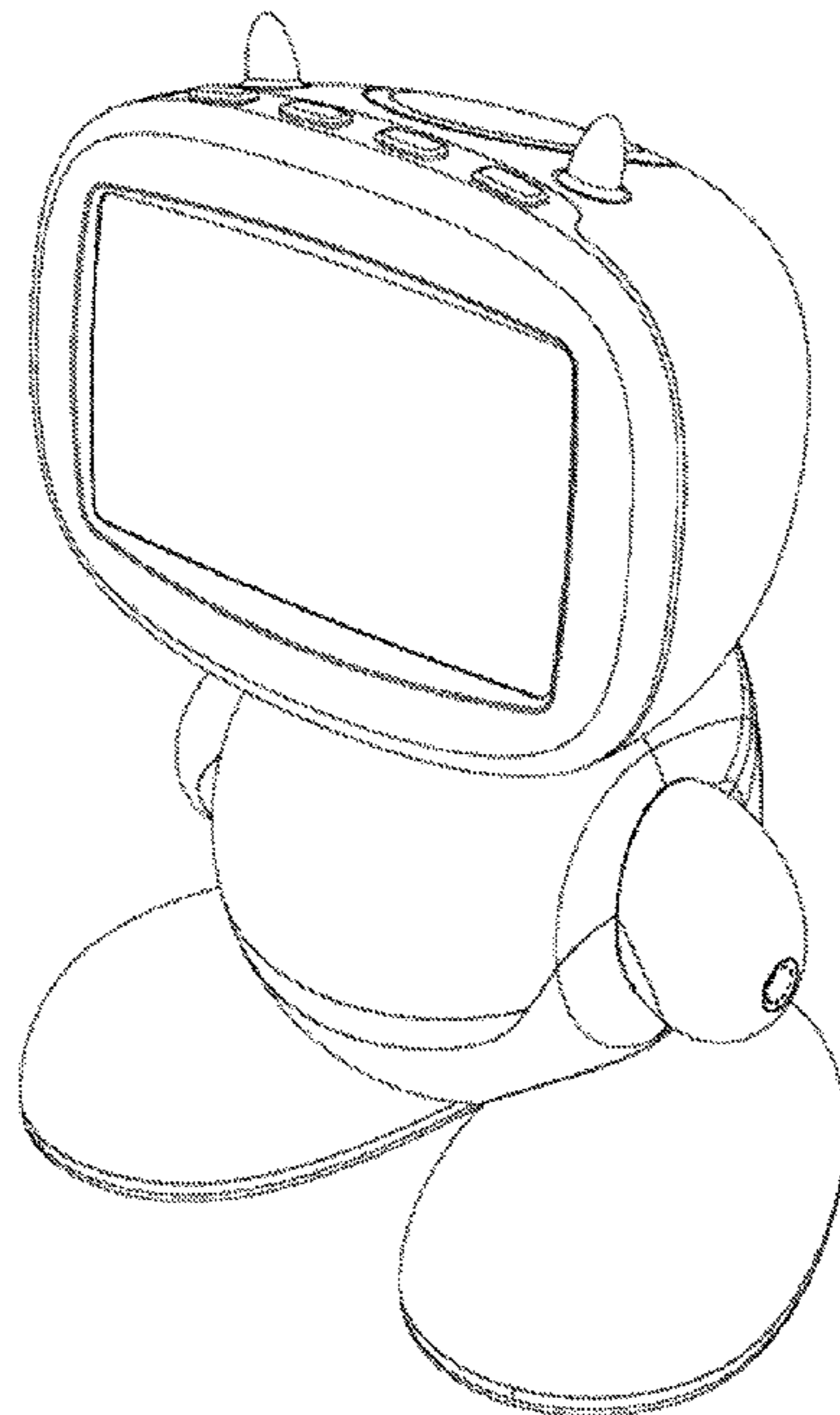


FIG. 1

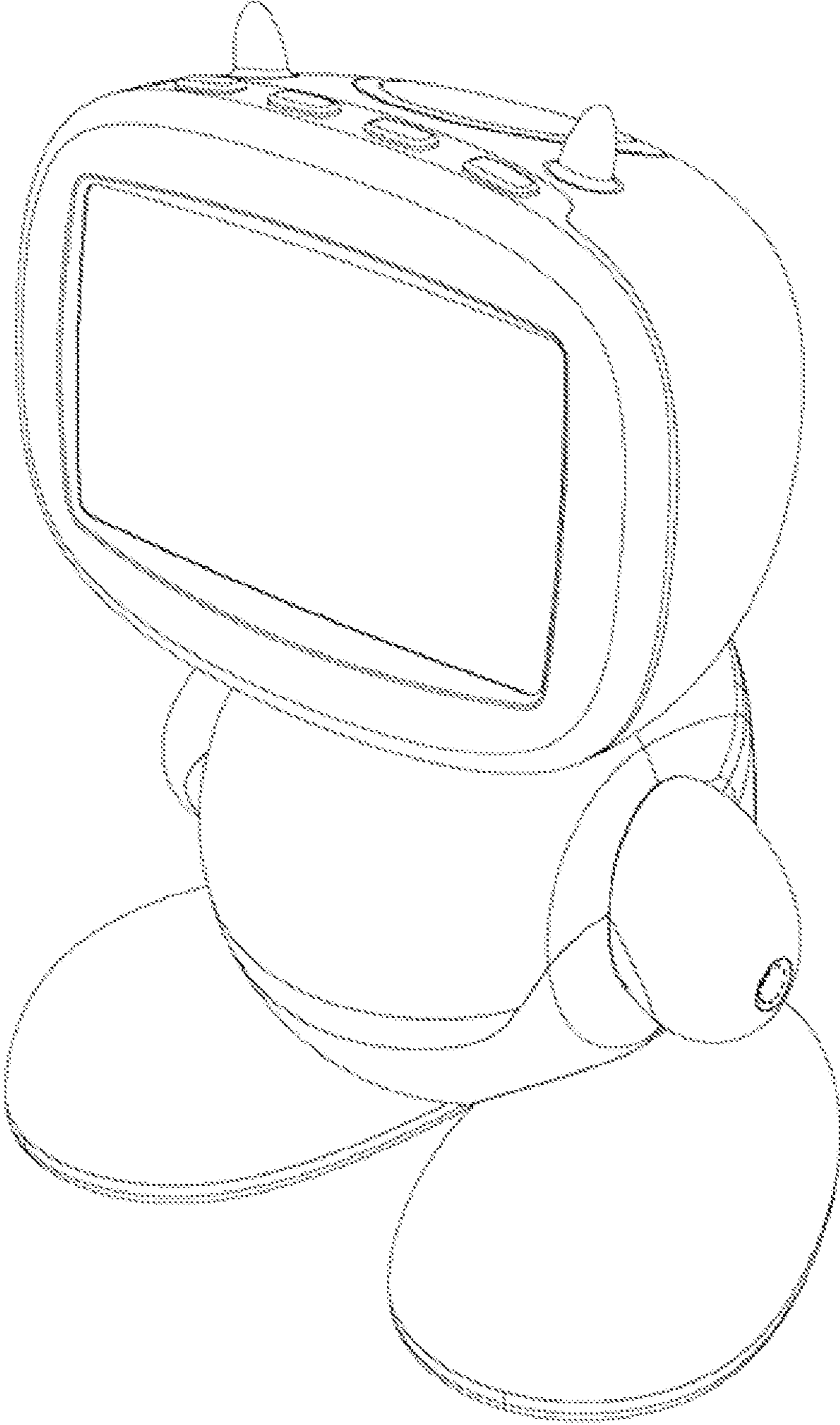


FIG. 2

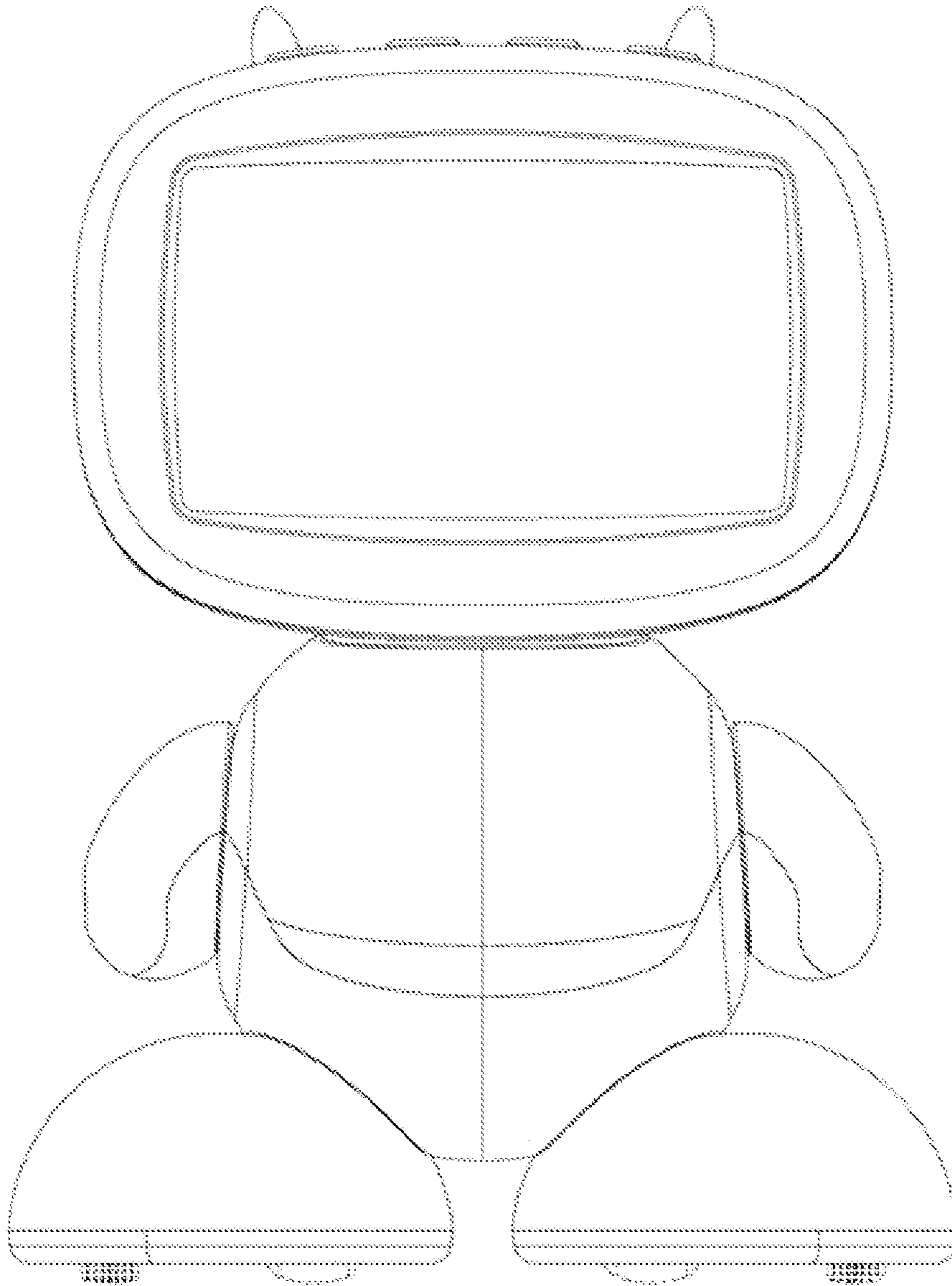


FIG. 3

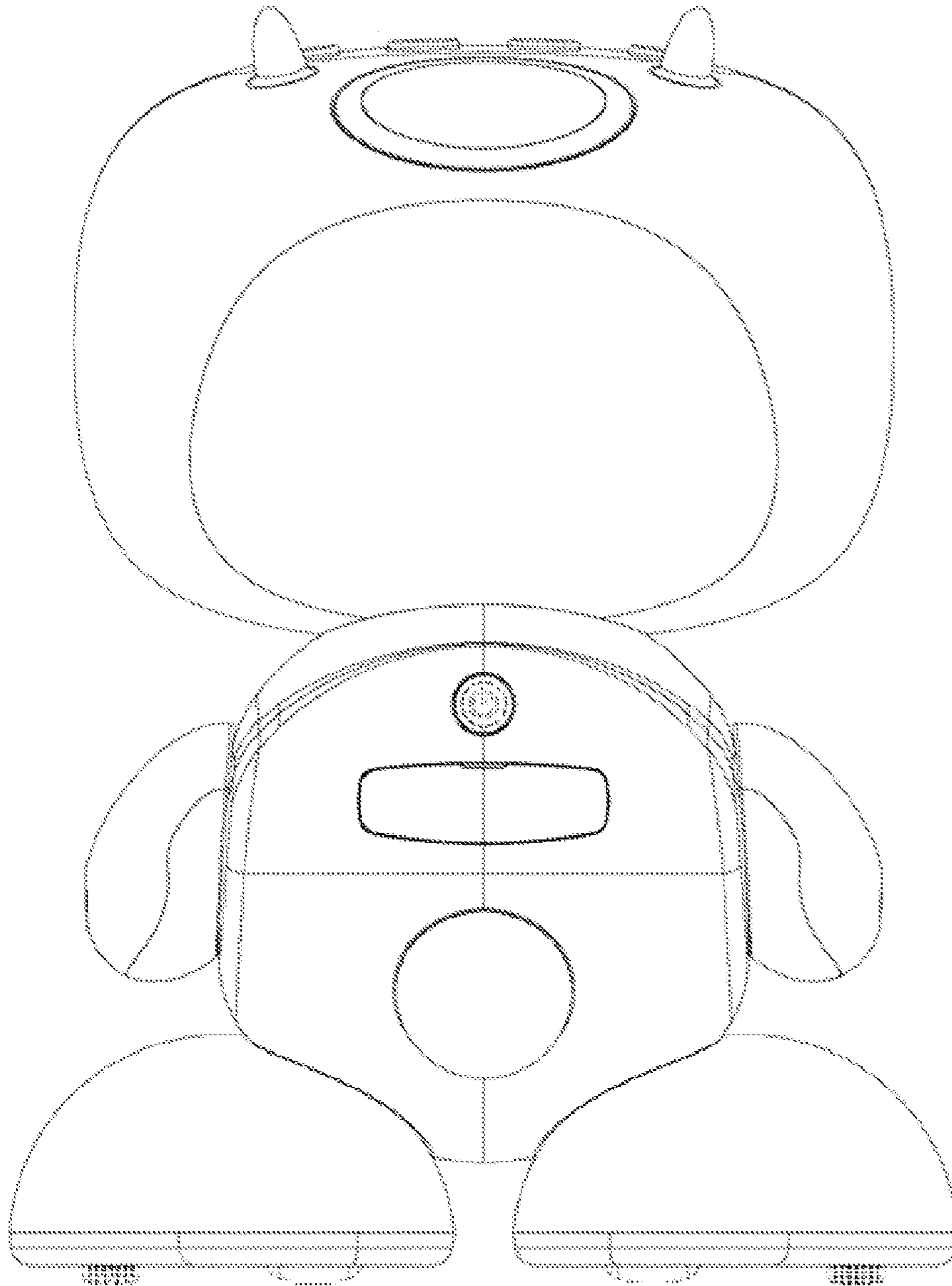


FIG. 4

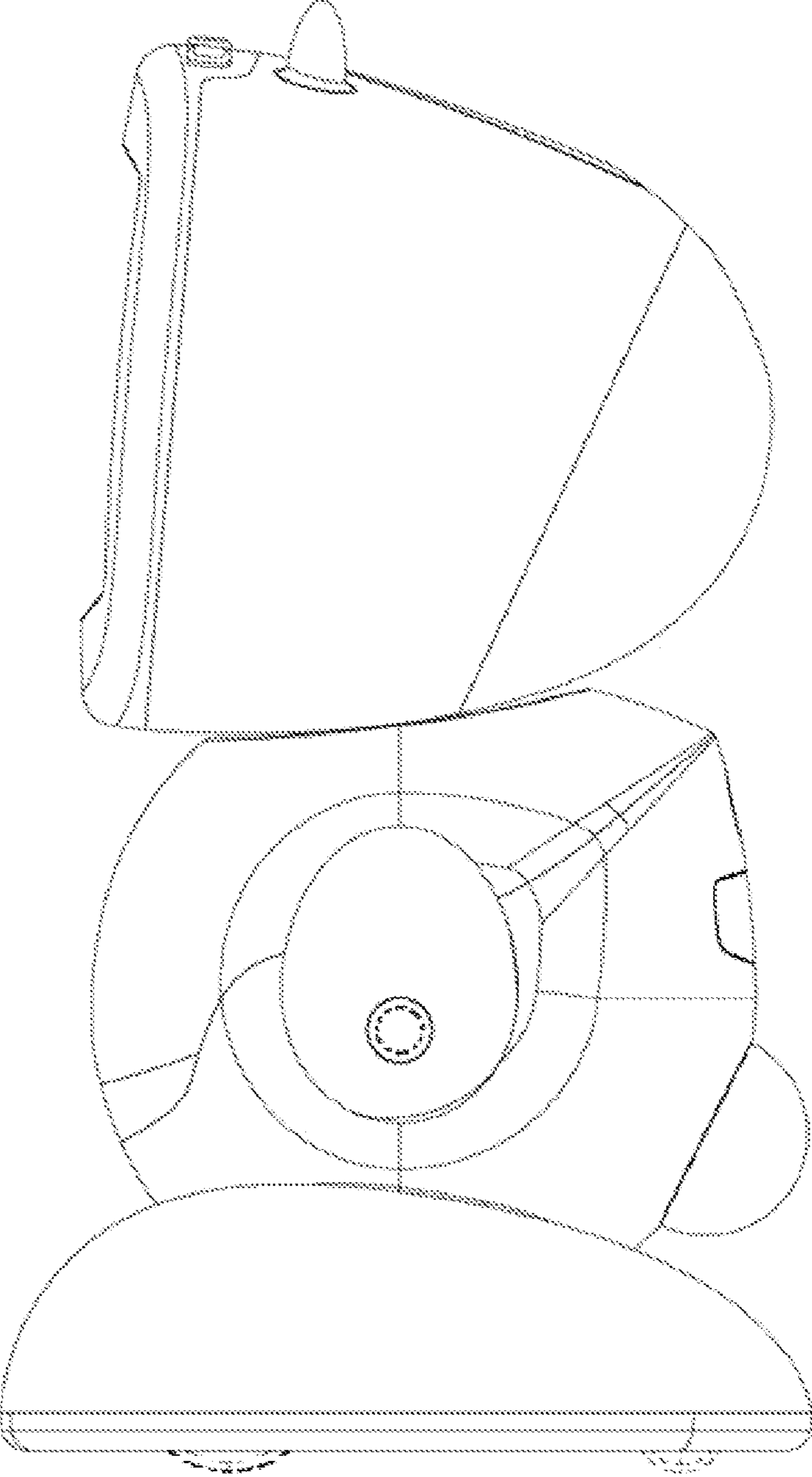


FIG. 5

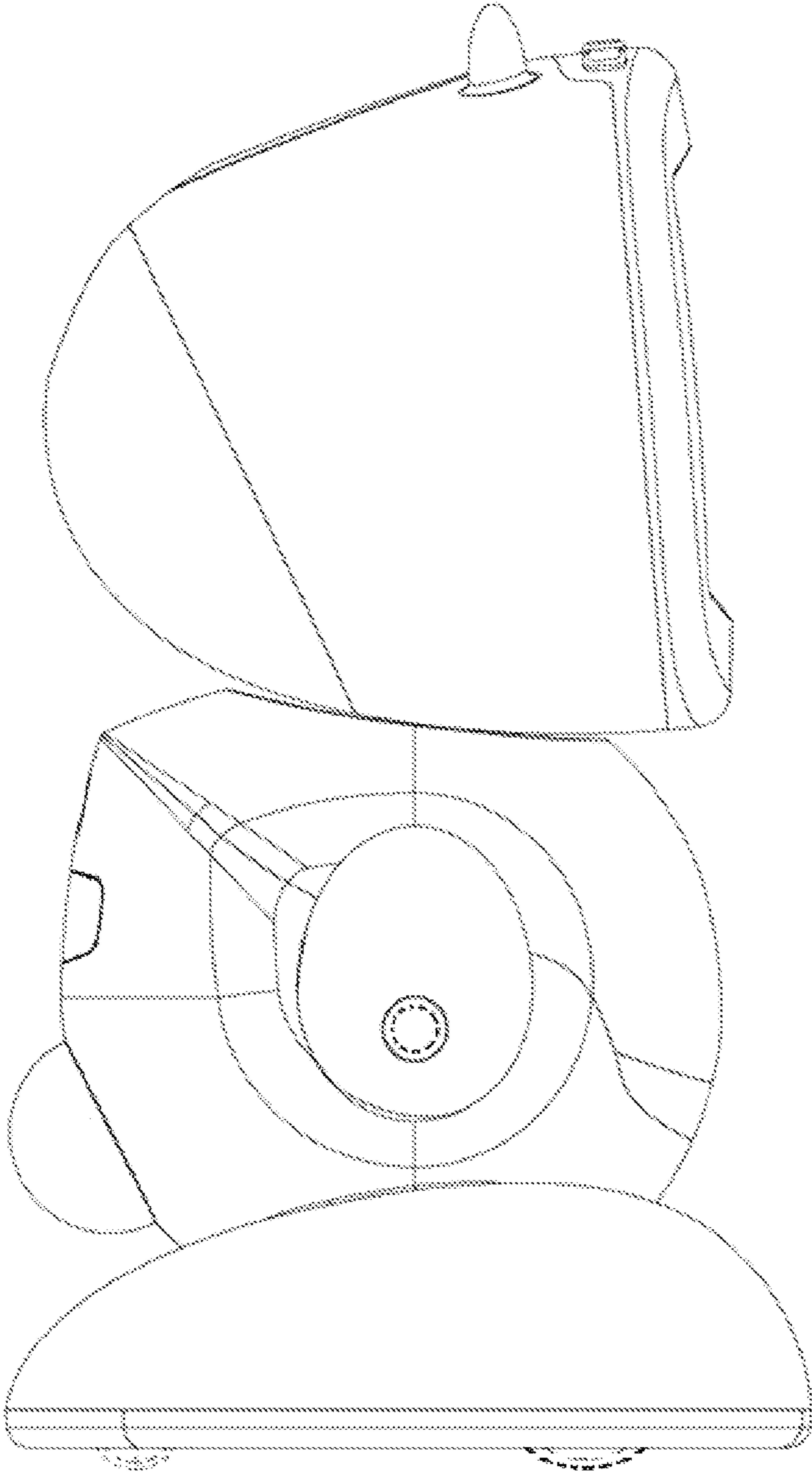


FIG. 6

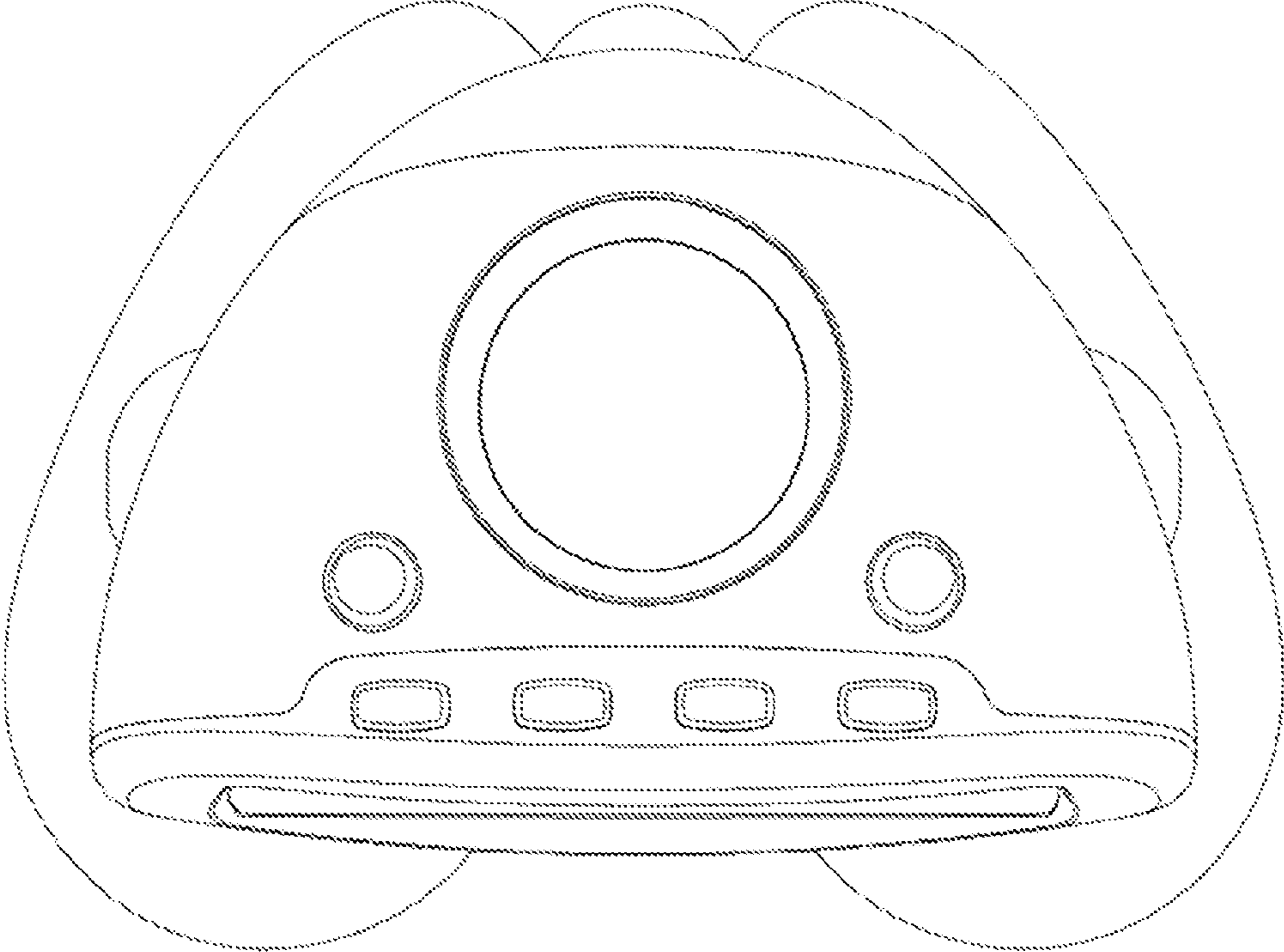


FIG. 7

