

US00D695339S

(12) **United States Design Patent**
Fukasawa et al.

(10) **Patent No.:** **US D695,339 S**

(45) **Date of Patent:** **** Dec. 10, 2013**

(54) **PRINTER**

(75) Inventors: **Naoto Fukasawa**, Tokyo (JP);
Jong-Kyu Kim, Seoul (KR);
Seung-Wook Jeong, Seoul (KR)

(73) Assignee: **Samsung Electronics Co., Ltd.**,
Gyeonggi-Do (KR)

(**) Term: **14 Years**

(21) Appl. No.: **29/427,369**

(22) Filed: **Jul. 17, 2012**

(30) **Foreign Application Priority Data**

Jan. 27, 2012 (KR) 30-2012-0003904

(51) **LOC (9) Cl.** **14-02**

(52) **U.S. Cl.**
USPC **D18/55; D18/53**

(58) **Field of Classification Search**

USPC D18/36-38, 50, 53, 54, 54.1, 55;
D14/420-425, 462-470; 400/613,
400/613.1-613.4, 690.1-690.4, 691-694
See application file for complete search history.

(56) **References Cited**

U.S. PATENT DOCUMENTS

D326,867 S 6/1992 Kwak
D502,210 S * 2/2005 Katori et al. D18/39
D536,372 S * 2/2007 Lim et al. D18/53

D537,109 S * 2/2007 Mizusugi et al. D18/39
D557,737 S * 12/2007 Falk et al. D18/53
D573,177 S * 7/2008 Isogai et al. D18/39
D577,763 S * 9/2008 Hidaka et al. D18/39
D580,483 S * 11/2008 Park et al. D18/39
D626,587 S * 11/2010 Ishio et al. D18/39
D626,588 S 11/2010 Kim et al.
D665,012 S * 8/2012 Saito et al. D18/39
D673,603 S * 1/2013 Suzuki et al. D18/55

OTHER PUBLICATIONS

U.S. Appl. No. 29/418,382, Applicant: Jong-Kyu Kim, et al., filed Apr. 16, 2012 entitled Printer.

* cited by examiner

Primary Examiner — Cathy A MacCormac

(74) *Attorney, Agent, or Firm* — Flynn, Thiel, Boutell & Tanis, P.C.

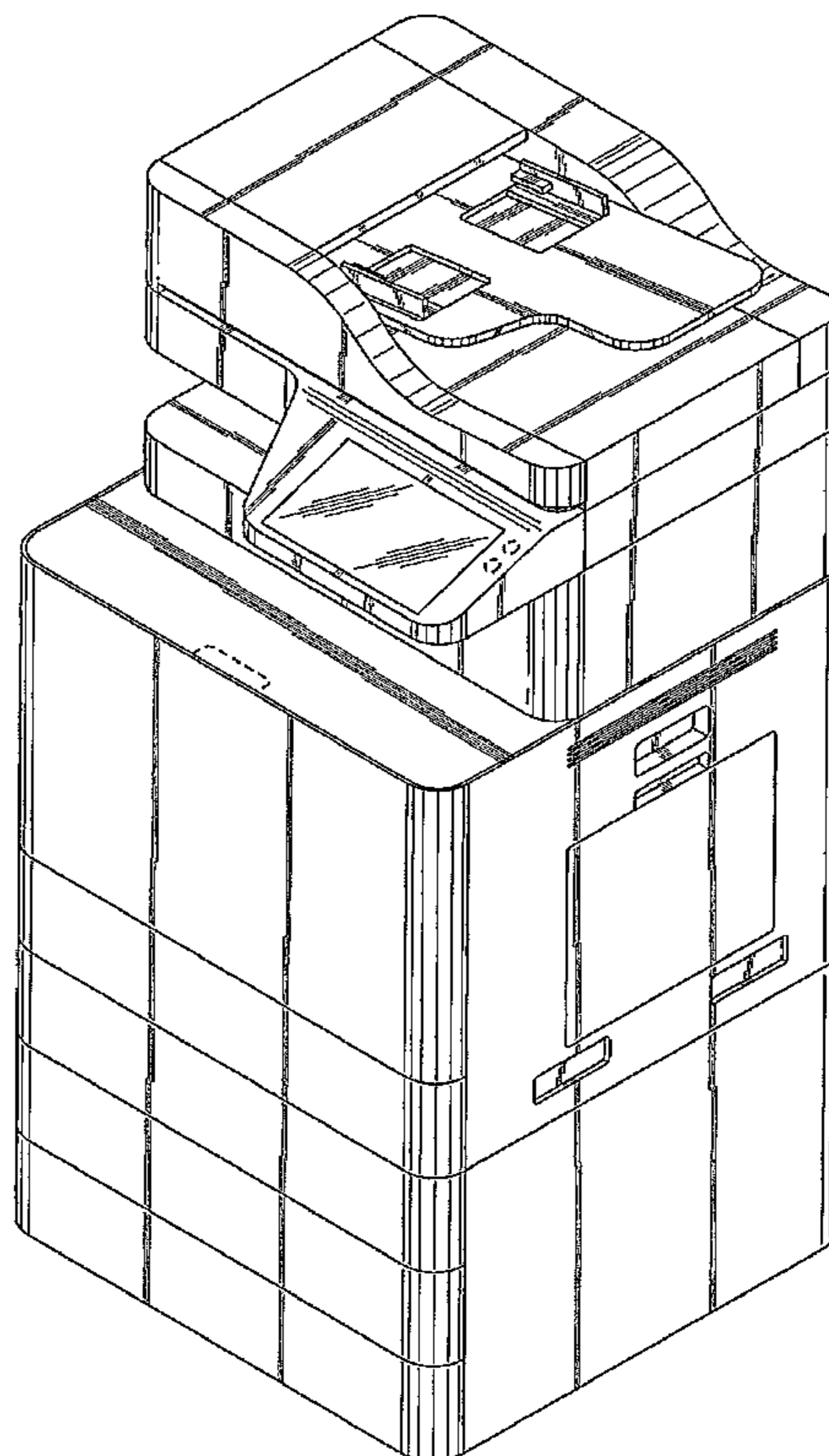
(57) **CLAIM**

The ornamental design for a printer, as shown and described.

DESCRIPTION

FIG. 1 is a top front perspective view of a printer showing our new design;
FIG. 2 is a front elevational view thereof;
FIG. 3 is a rear elevational view thereof;
FIG. 4 is a left side elevational view thereof;
FIG. 5 is a right side elevational view thereof;
FIG. 6 is a top plan view thereof; and,
FIG. 7 is a bottom plan view thereof.
The broken lines depict environmental subject matter only and form no part of the claimed design.

1 Claim, 6 Drawing Sheets



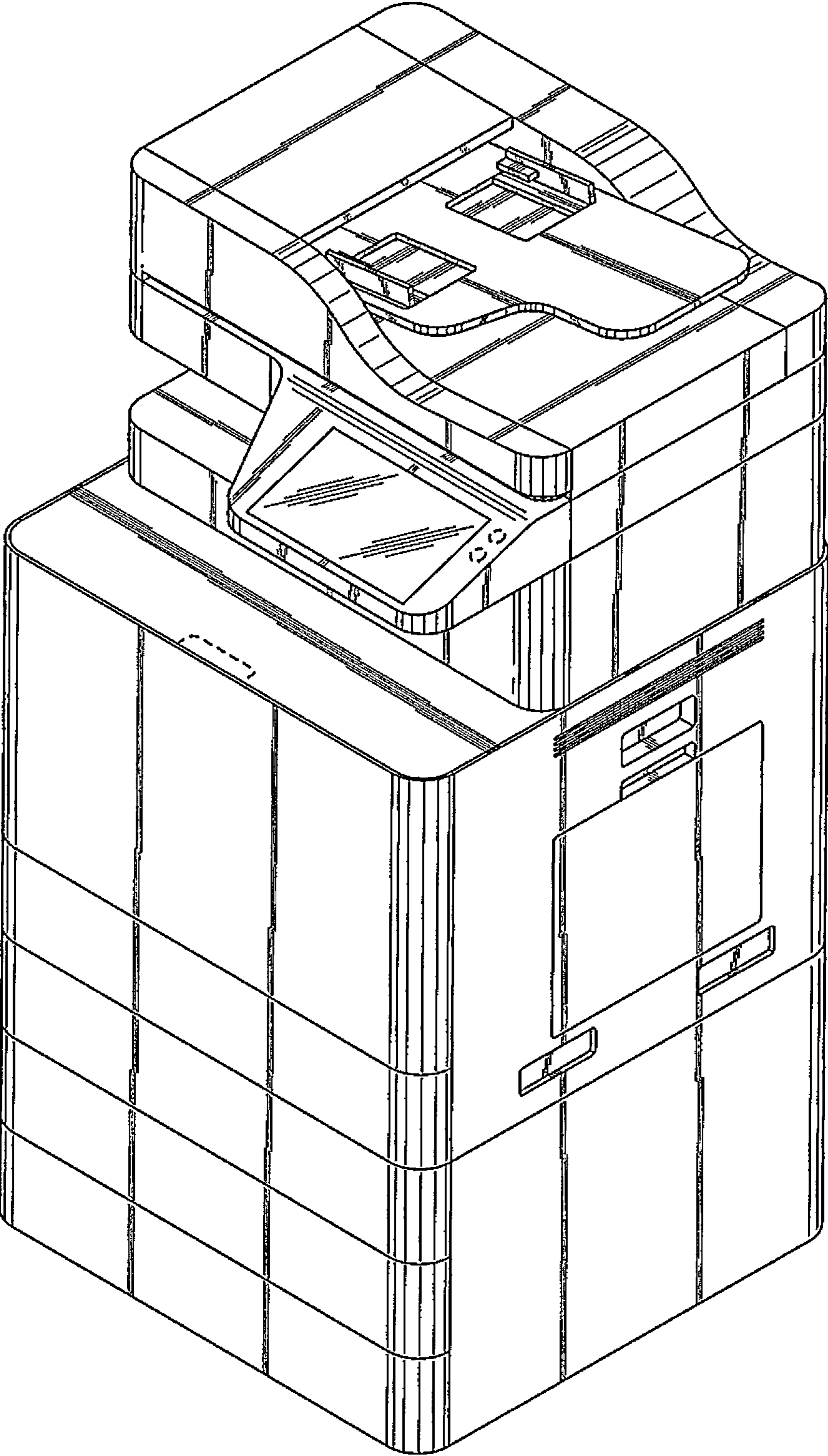


FIG. 1

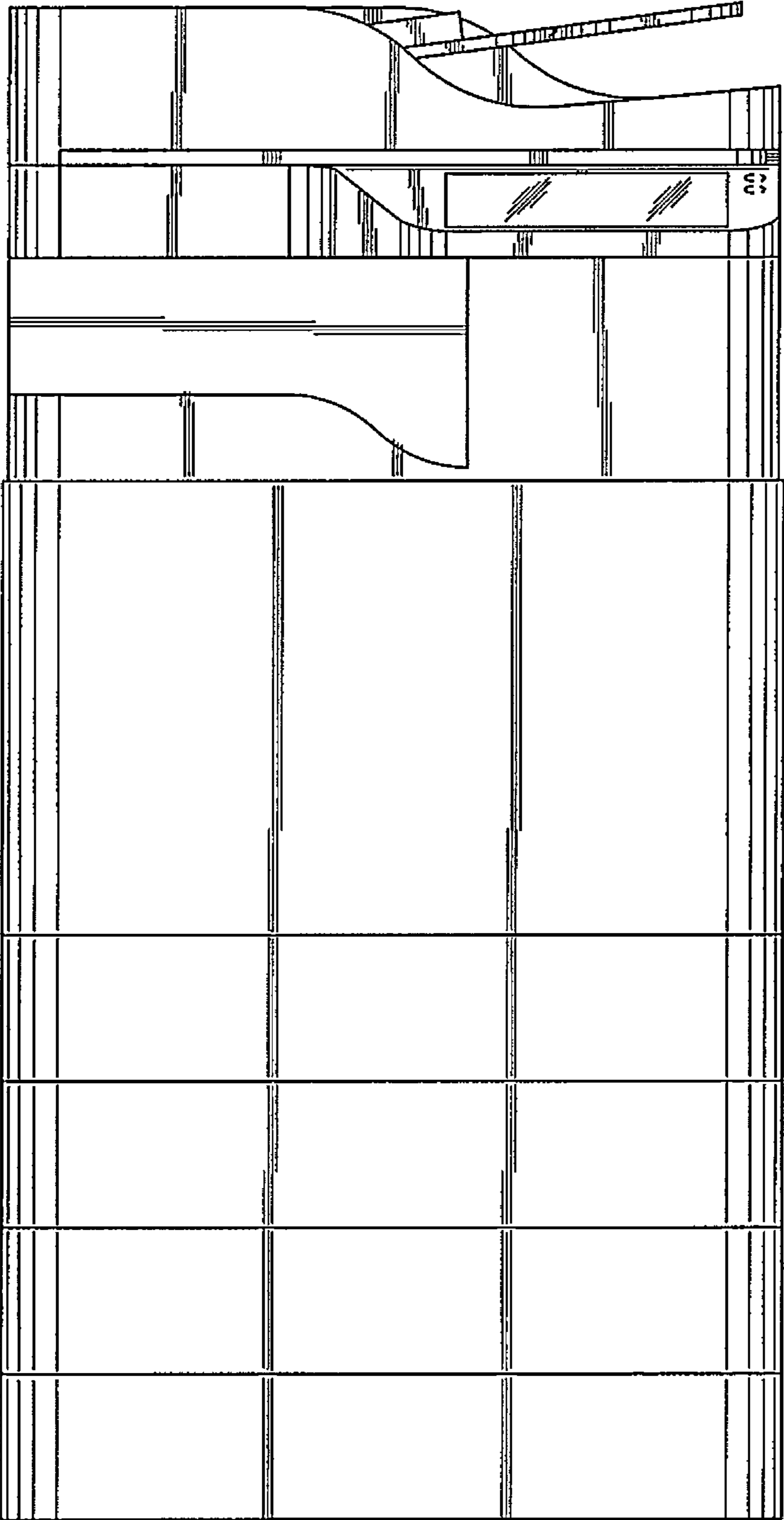


FIG. 2

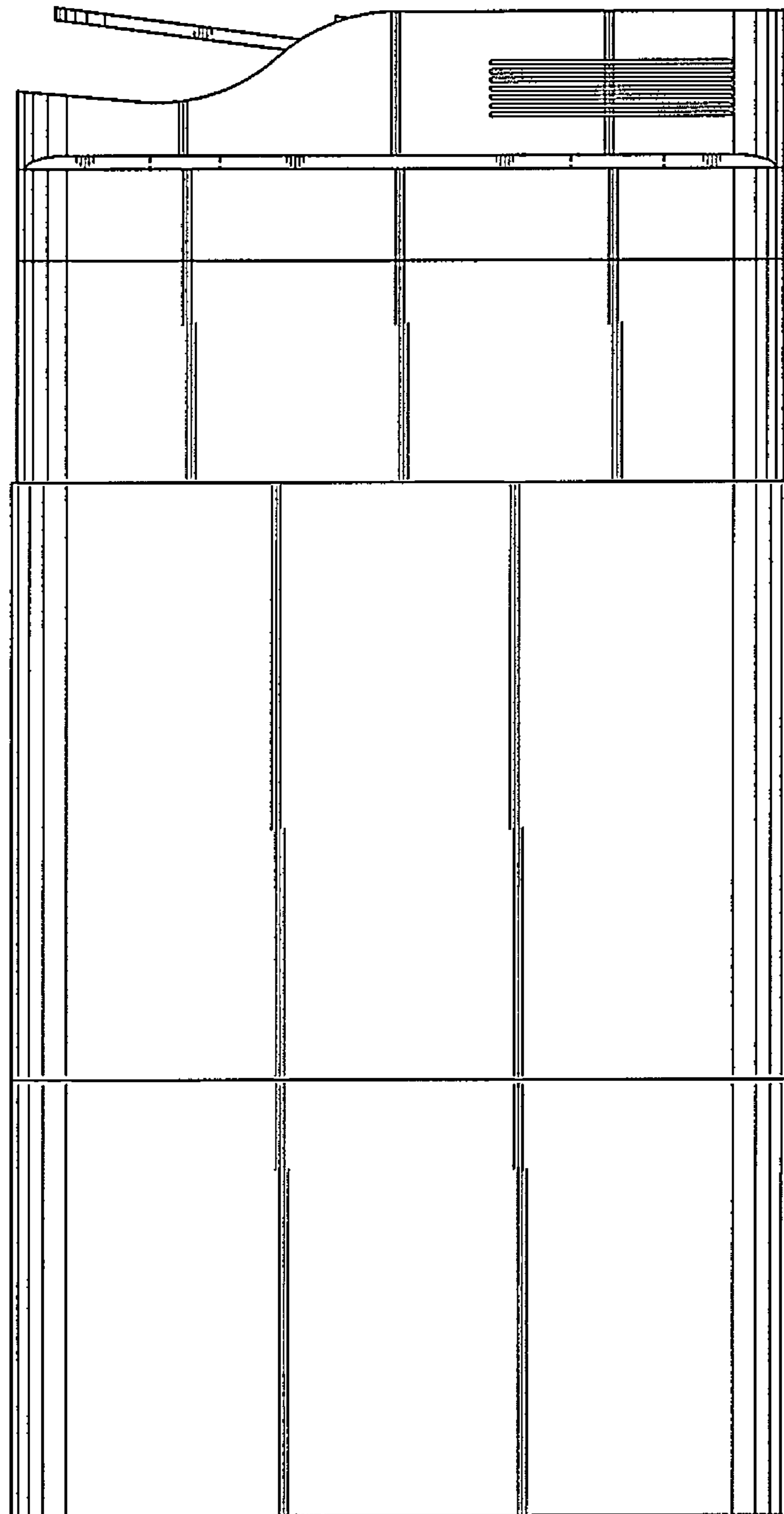


FIG. 3

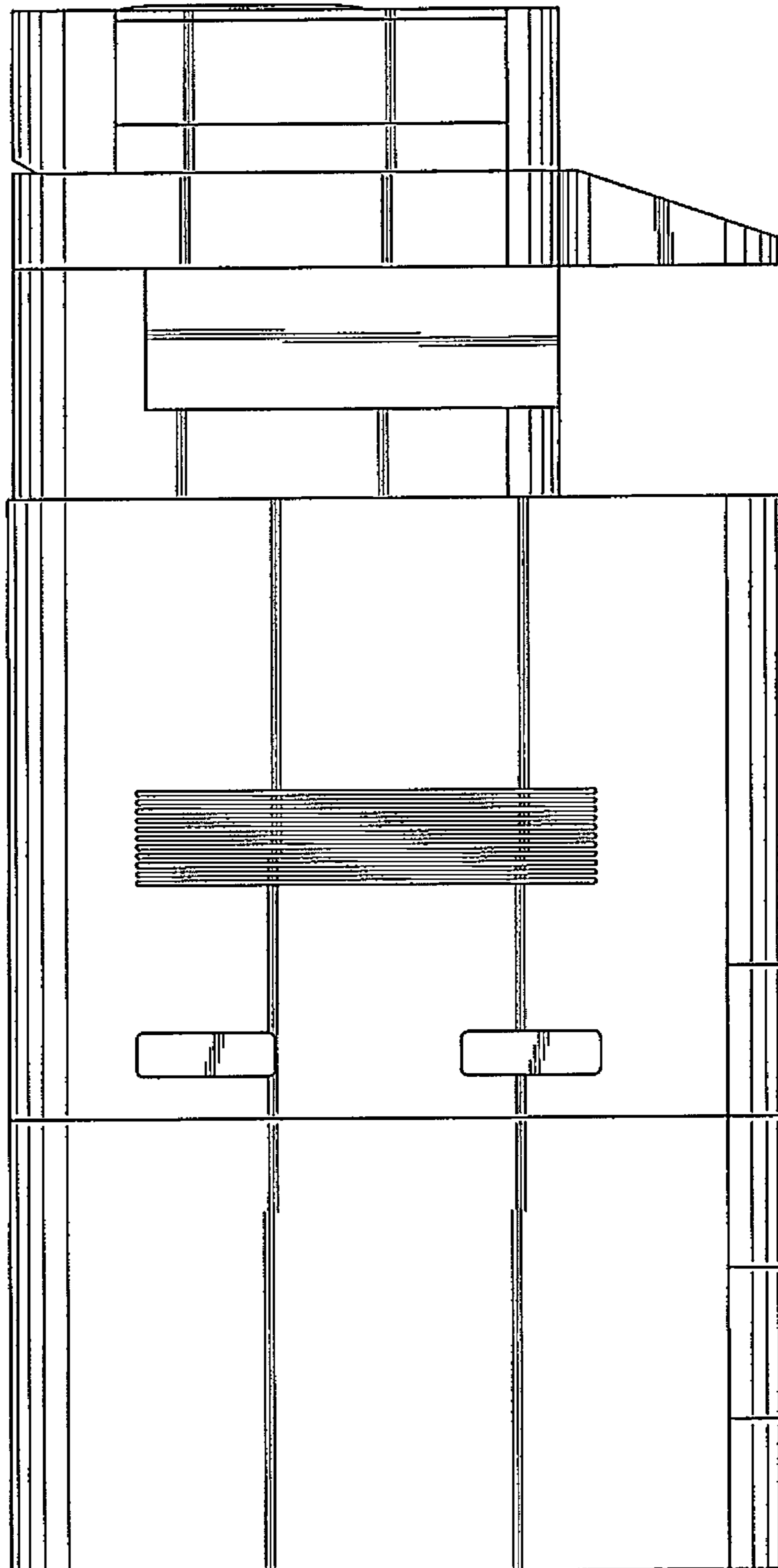


FIG. 4

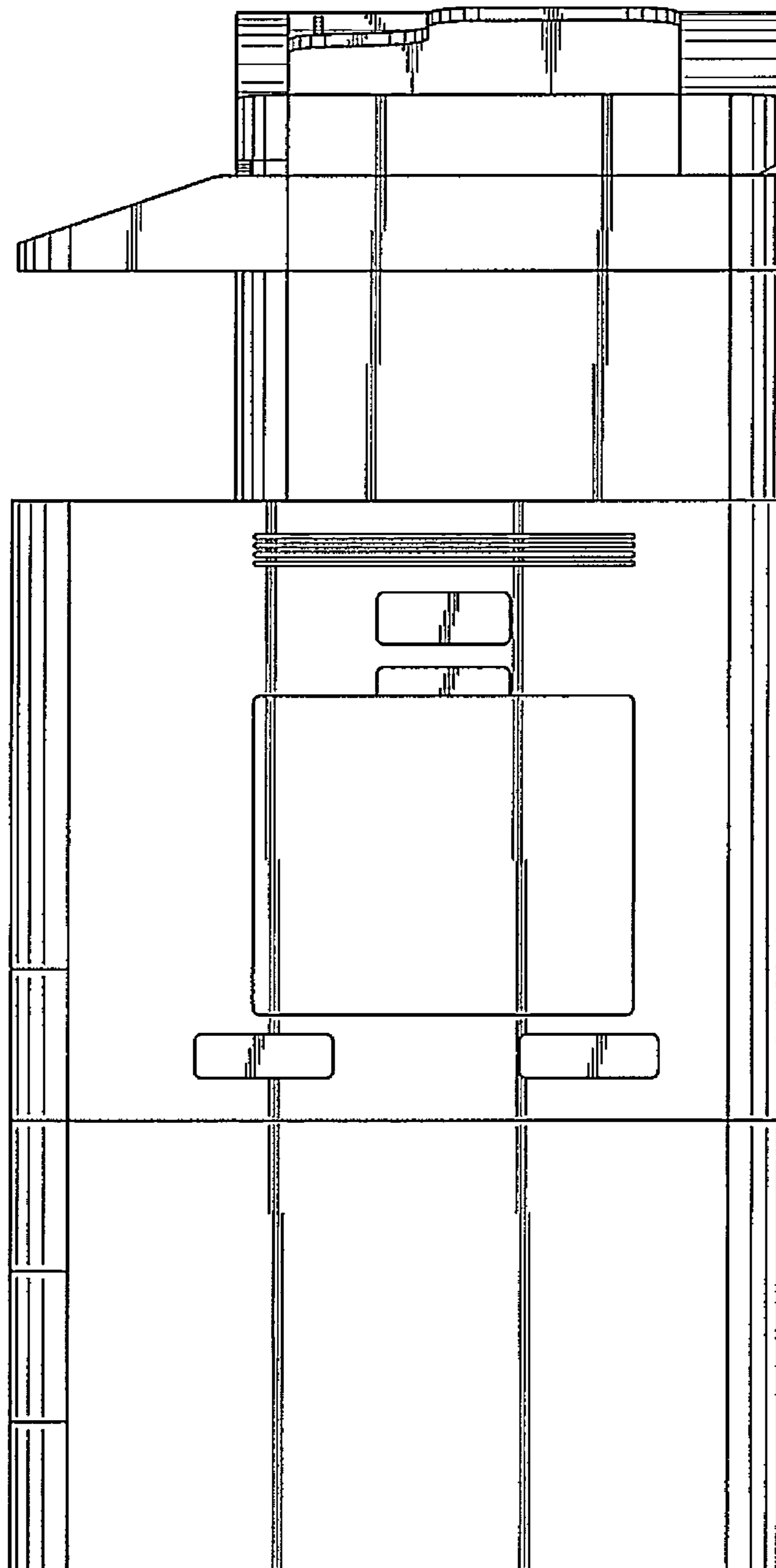


FIG. 5

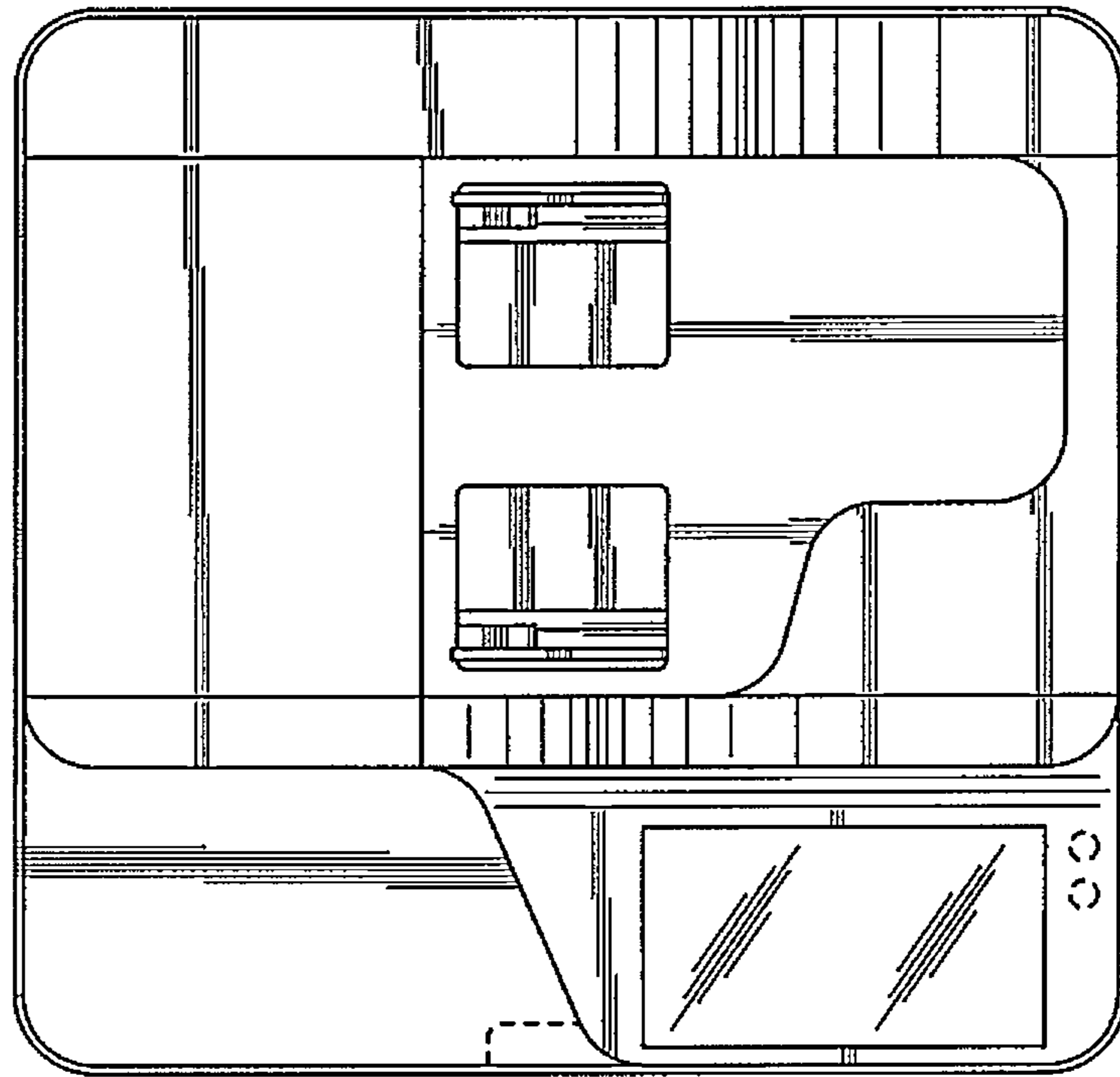


FIG. 6

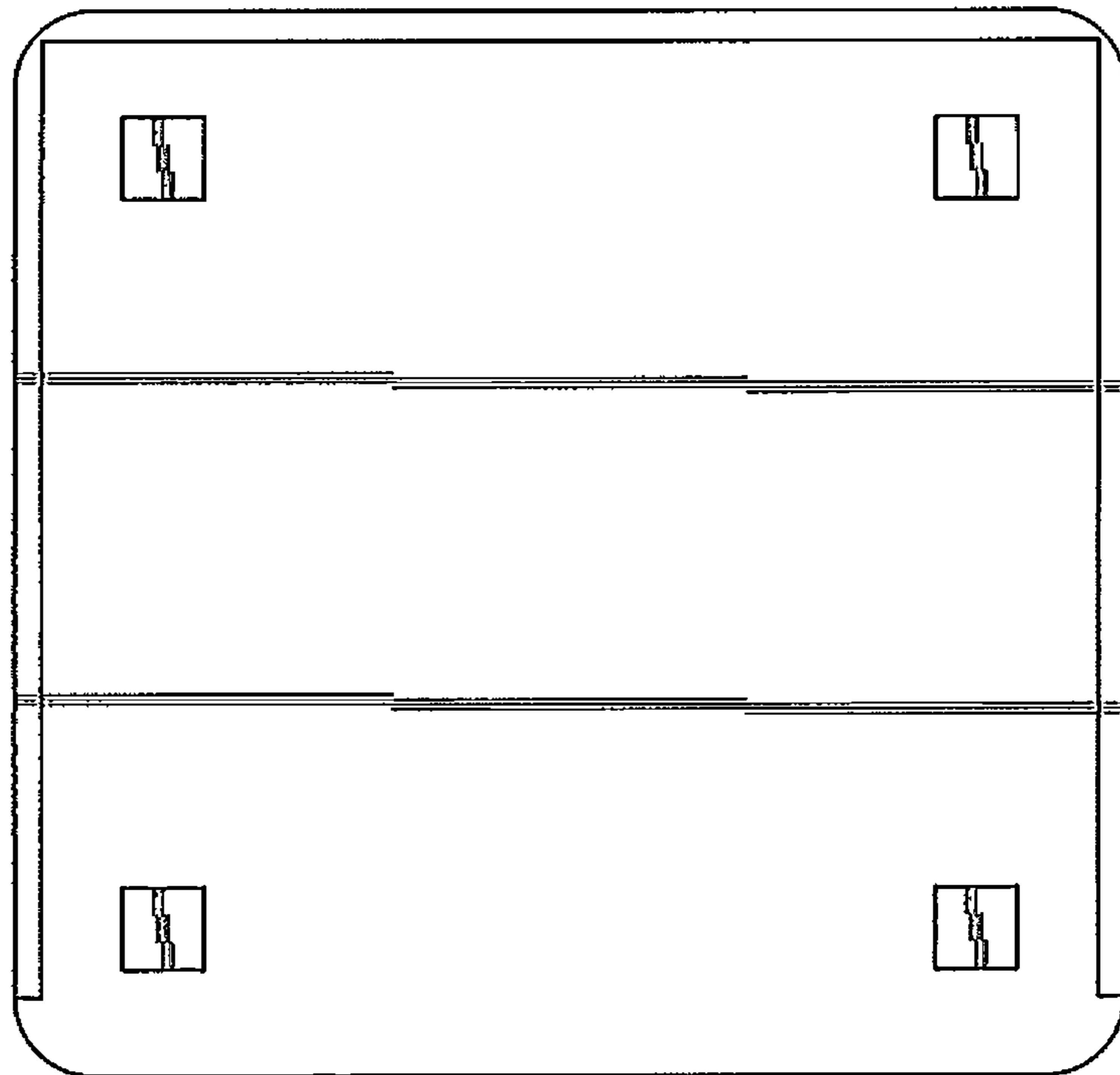


FIG. 7