

US00D695336S

(12) **United States Design Patent**
Wang Lee

(10) **Patent No.:** **US D695,336 S**
(45) **Date of Patent:** **** Dec. 10, 2013**

(54) **TEMPLE OF EYEGLASSES**
(76) Inventor: **Ta-Tung Wang Lee**, Tainan (TW)
(**) Term: **14 Years**
(21) Appl. No.: **29/426,385**
(22) Filed: **Jul. 5, 2012**
(51) **LOC (9) Cl.** **16-06**
(52) **U.S. Cl.**
USPC **D16/335**
(58) **Field of Classification Search**
USPC D16/101, 300-342, 900; D29/109-110;
351/41, 44, 51-52, 62, 158, 92,
351/103-123, 140-153, 45-46; 2/426-432,
2/447-449, 441, 434-437, 13, 15;
D21/483, 659-661; D14/372
See application file for complete search history.

(56) **References Cited**
U.S. PATENT DOCUMENTS
5,347,325 A * 9/1994 Lei 351/118
D370,931 S * 6/1996 Huang D16/315
5,812,234 A * 9/1998 Carswell 351/120
D428,040 S * 7/2000 Pedeaussaut D16/320
D458,293 S * 6/2002 Lee D16/314
6,409,336 B1 * 6/2002 Kuo 351/118

D475,394 S * 6/2003 Yang D16/315
7,104,646 B2 * 9/2006 Yang 351/120
D607,483 S * 1/2010 Yang D16/315
D617,364 S * 6/2010 Chou D16/315
D621,866 S * 8/2010 Yang D16/315
D650,825 S * 12/2011 Yee et al. D16/326

* cited by examiner

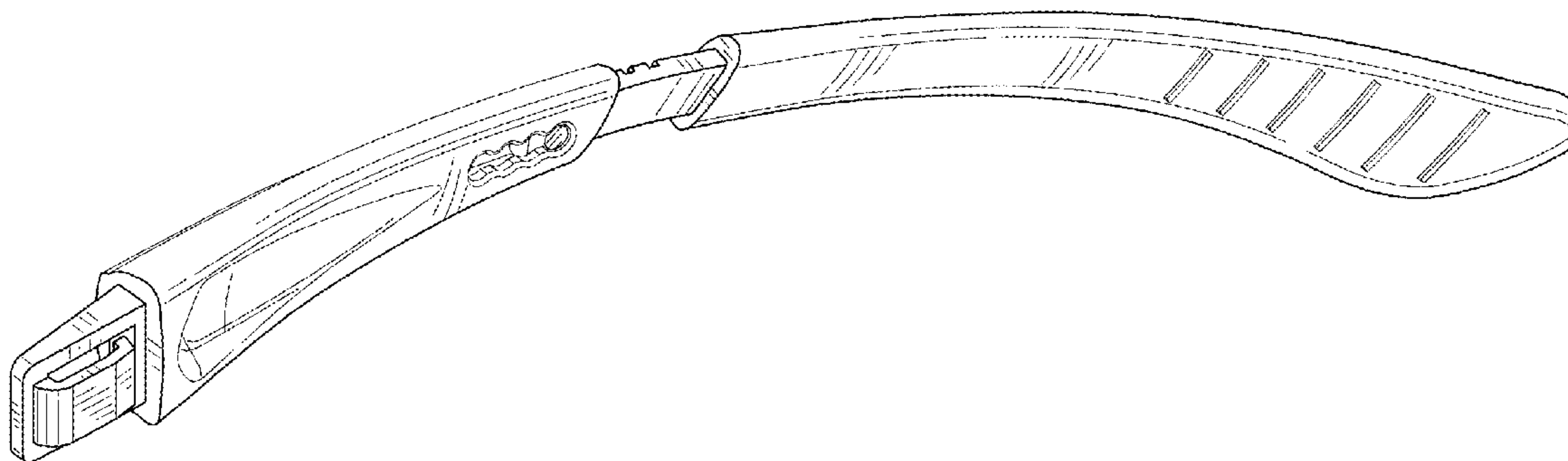
Primary Examiner — Raphael Barkai
(74) *Attorney, Agent, or Firm* — Merchant & Gould P.C.

(57) **CLAIM**
The ornamental design for temple of eyeglasses, as shown and described.

DESCRIPTION

FIG. 1 is a perspective view of temple of eyeglasses showing my new design;
FIG. 2 is a front elevational view thereof;
FIG. 3 is a rear elevational view thereof;
FIG. 4 is a left side elevational view thereof;
FIG. 5 is a right side elevational view thereof;
FIG. 6 is a top plan view thereof;
FIG. 7 is a bottom plan view thereof;
FIG. 8 is a perspective view in use; and,
FIG. 9 is a top perspective view in use.

1 Claim, 8 Drawing Sheets



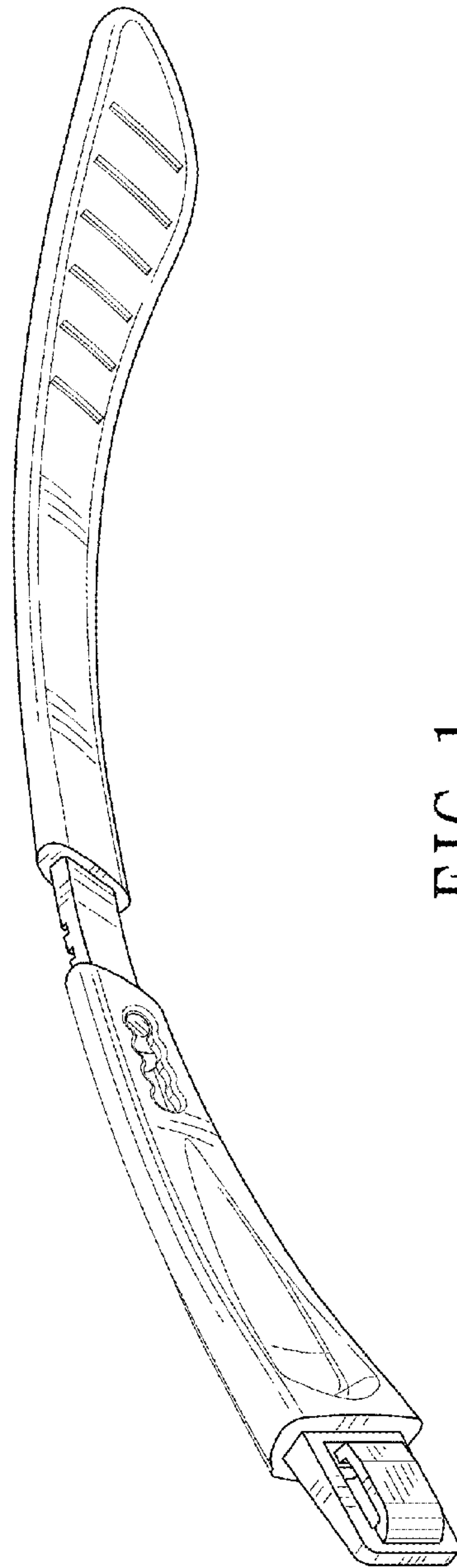


FIG. 1

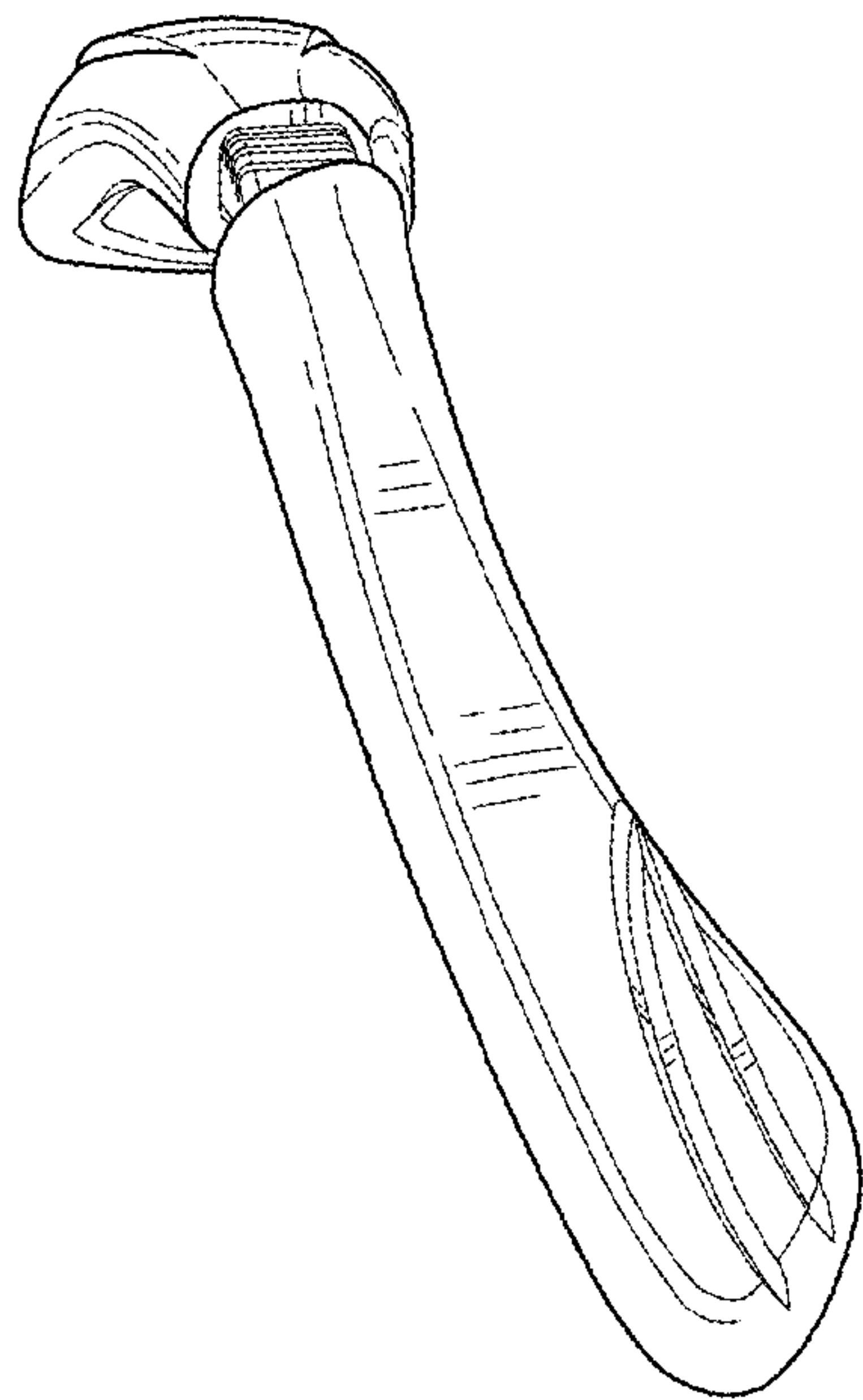


FIG. 3

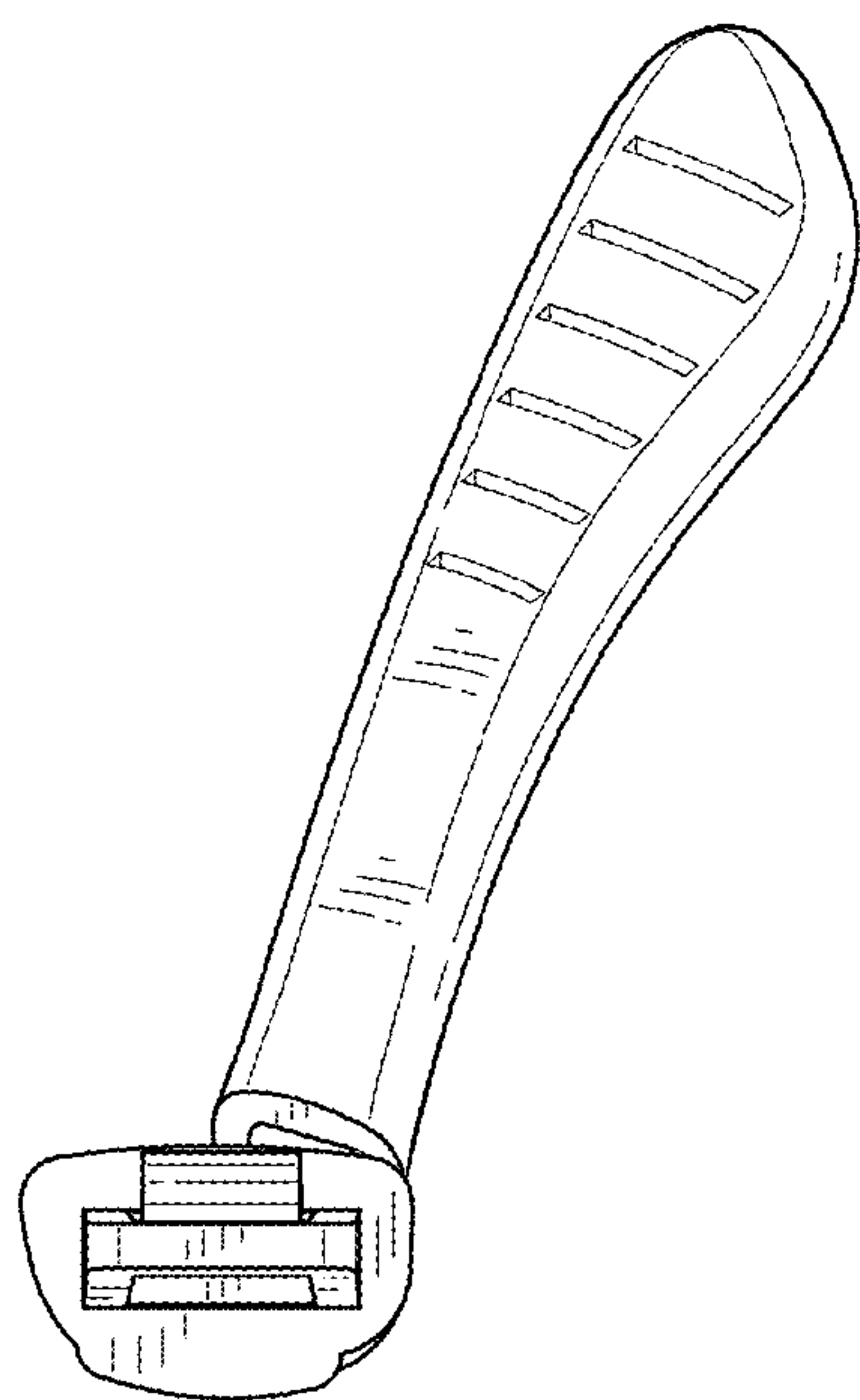


FIG. 2

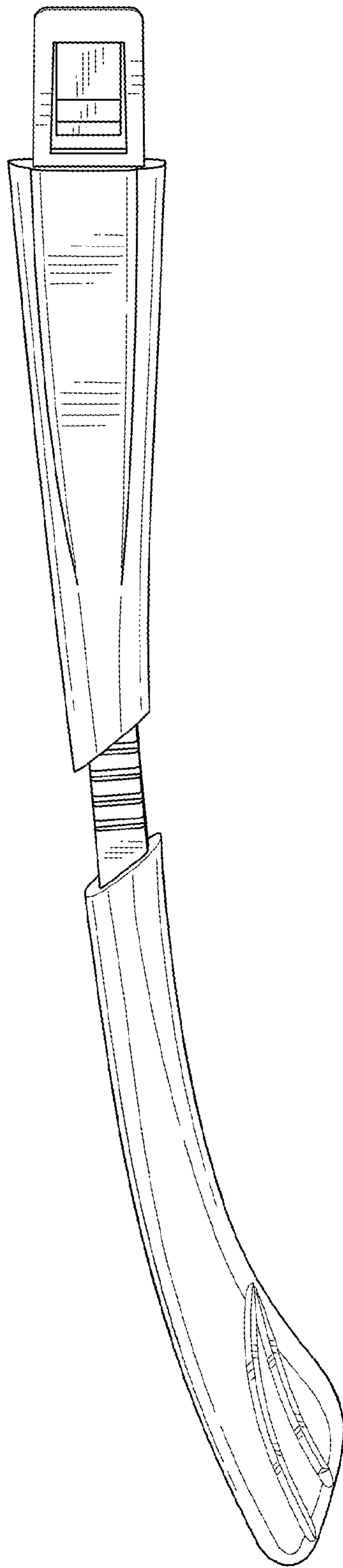


FIG. 4

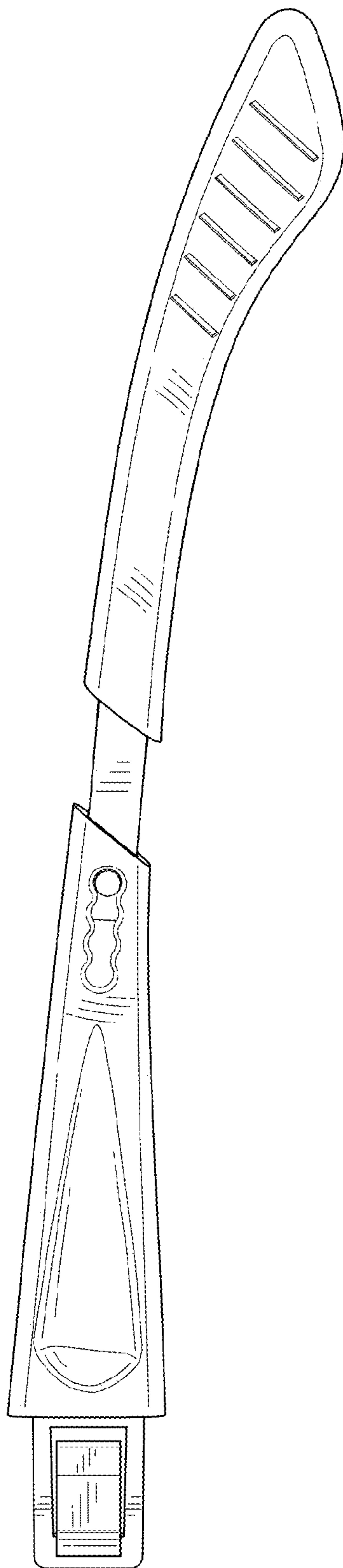


FIG. 5

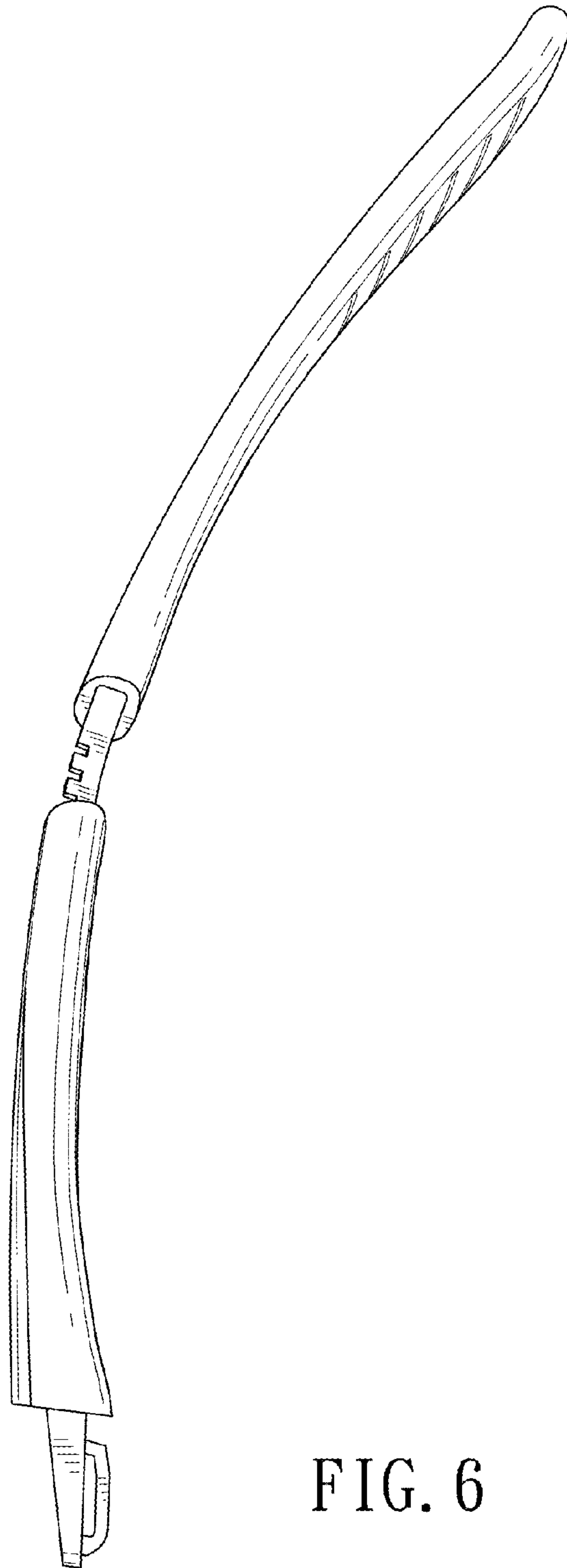


FIG. 6

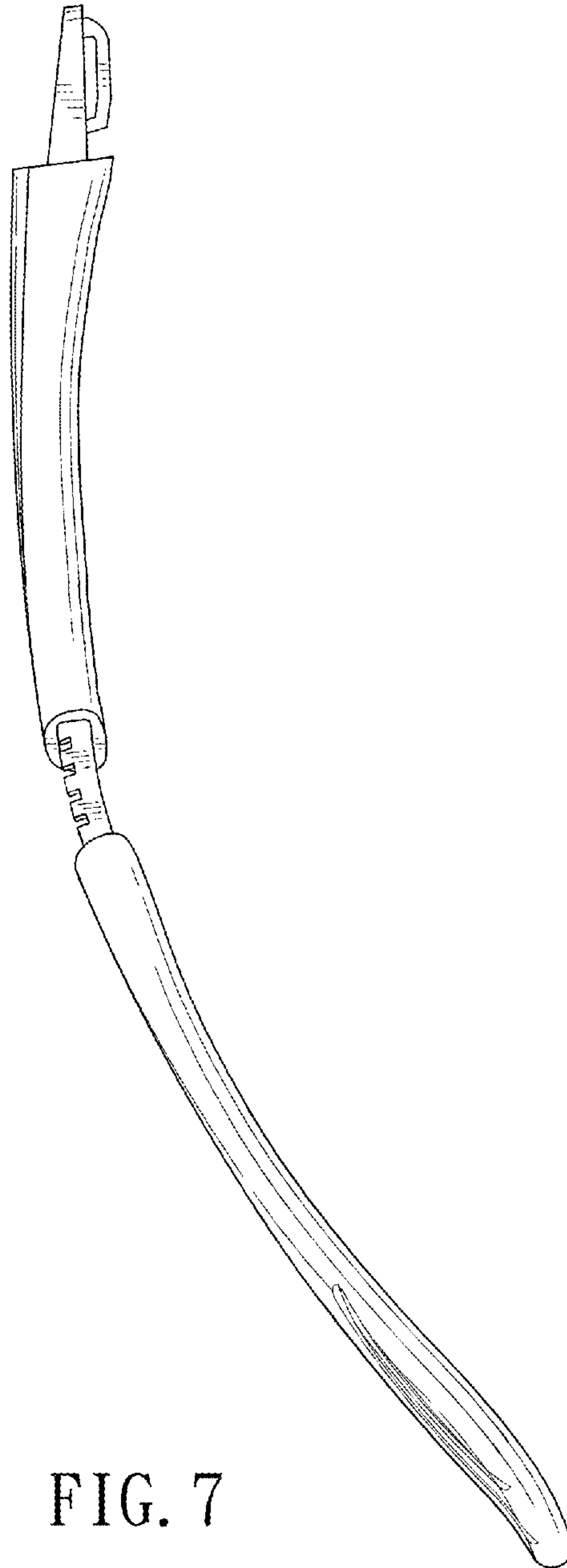


FIG. 7

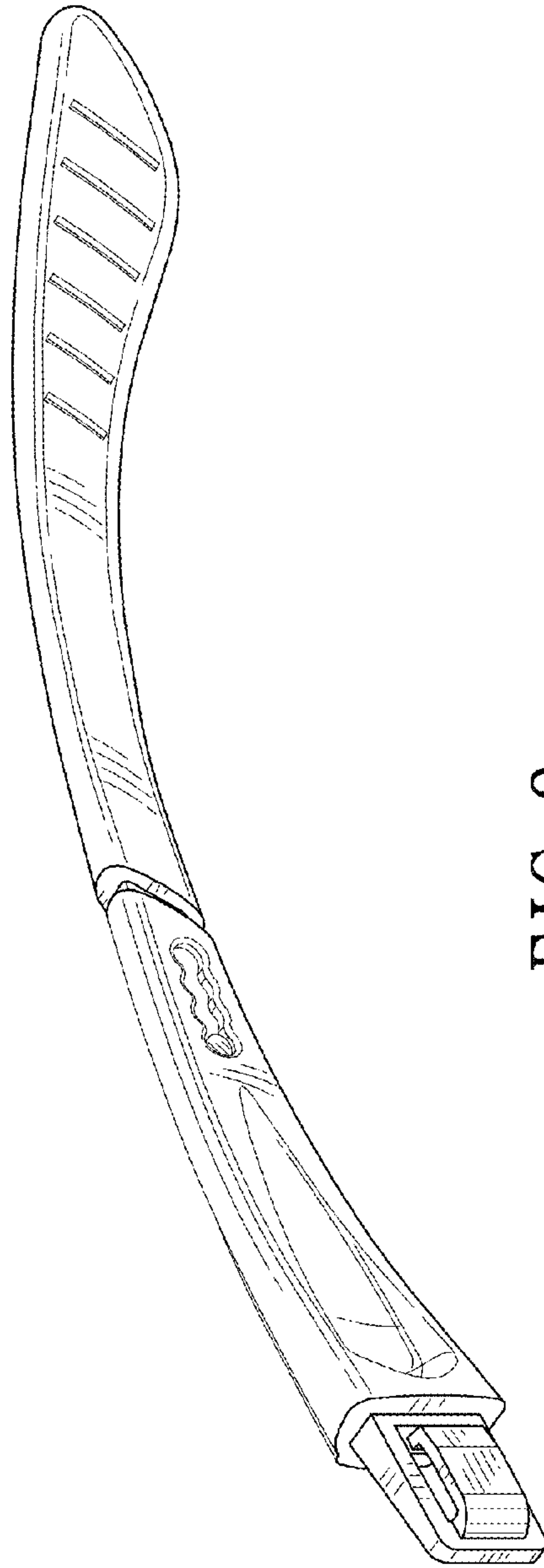


FIG. 8

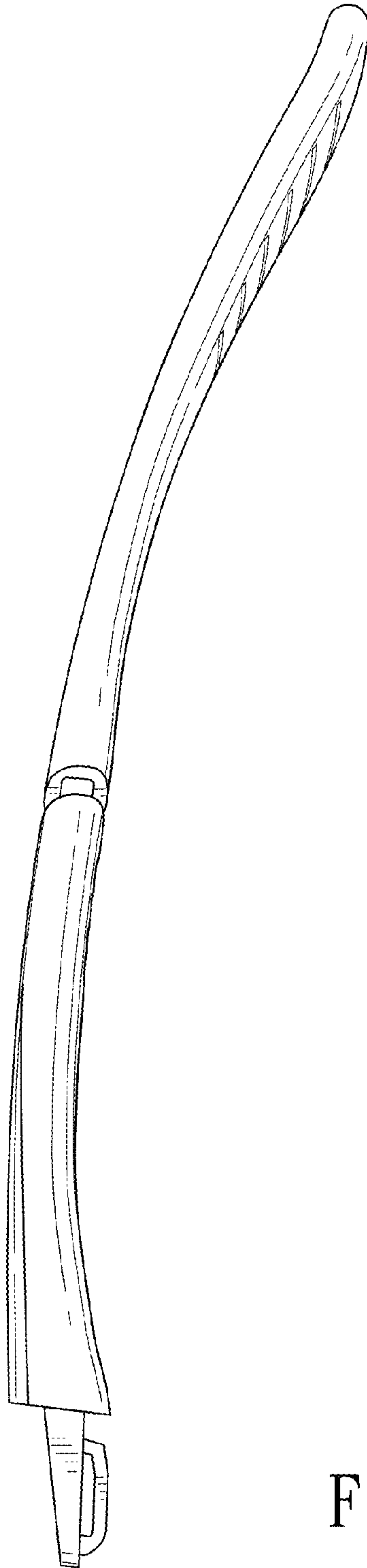


FIG. 9