



US00D695334S

(12) **United States Design Patent**  
**Waller et al.**

(10) **Patent No.:** **US D695,334 S**

(45) **Date of Patent:** **\*\* Dec. 10, 2013**

(54) **GOGGLES**

(75) Inventors: **Tom Waller**, Nottingham (GB); **Chris Johnson**, Nottingham (GB); **Joseph Santry**, Nottingham (GB)

(73) Assignee: **Speedo International Limited**, London (GB)

(\*\*) Term: **14 Years**

(21) Appl. No.: **29/422,907**

(22) Filed: **May 24, 2012**

(30) **Foreign Application Priority Data**

Nov. 28, 2011 (EM) ..... 001954272-0001

(51) **LOC (9) Cl.** ..... **16-06**

(52) **U.S. Cl.**  
USPC ..... **D16/311**

(58) **Field of Classification Search**  
USPC ..... D16/101, 300-342, 900; D29/109-110;  
351/41, 44, 51-52, 62, 158, 92,  
351/103-123, 140-153, 45-46; 2/426-432,  
2/447-449, 441, 434-437, 13, 15;  
D21/483, 659-661; D14/372

See application file for complete search history.

(56) **References Cited**

**U.S. PATENT DOCUMENTS**

D422,615 S \* 4/2000 Yoshizawa ..... D16/303  
D457,181 S \* 5/2002 Chiang ..... D16/303

D460,979 S \* 7/2002 Chiang ..... D16/311  
D503,735 S \* 4/2005 Harwell, IV ..... D16/311  
D574,032 S \* 7/2008 Chiang ..... D16/303  
D675,243 S \* 1/2013 Waller et al. .... D16/311

\* cited by examiner

*Primary Examiner* — Raphael Barkai

(74) *Attorney, Agent, or Firm* — Fross Zelnick Lehrman & Zissu, P.C.; Charles T. J. Weigell, Esq.

(57) **CLAIM**

The ornamental design for goggles, as shown and described.

**DESCRIPTION**

FIG. 1 is a front perspective view of goggles showing the new design;

FIG. 2 is a front view of the goggles shown in FIG. 1;

FIG. 3 is a rear view of the goggles shown in FIG. 1;

FIG. 4 is a left side view of the goggles shown in FIG. 1;

FIG. 5 is a right side view of the goggles shown in FIG. 1;

FIG. 6 is a top view of the goggles shown in FIG. 1; and

FIG. 7 is a bottom view of the goggles shown in FIG. 1.

FIG. 8 is a front perspective view of the goggles shown in FIG. 1 with the strap omitted;

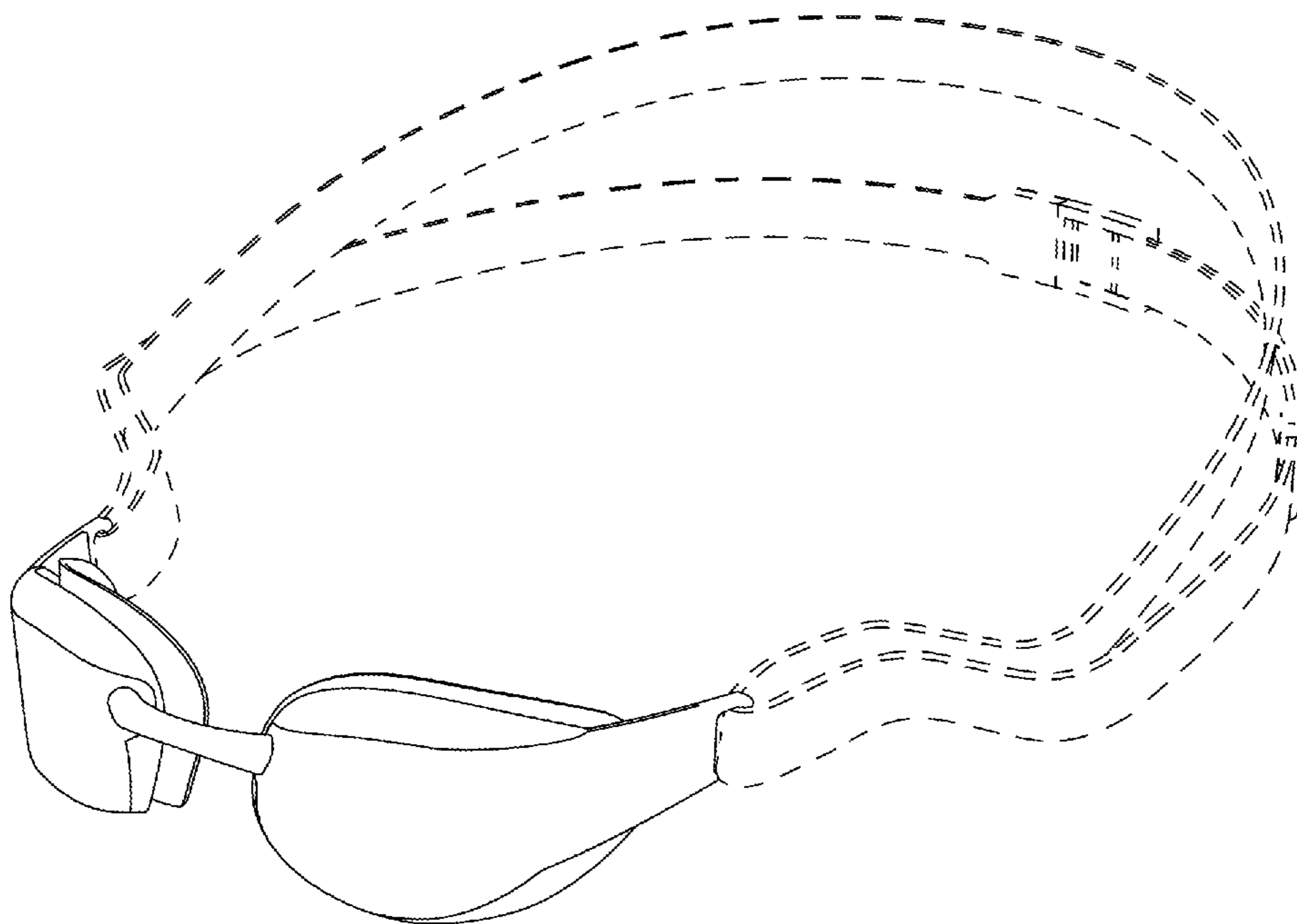
FIG. 9 is rear view of the goggles shown in FIG. 1 with the strap omitted;

FIG. 10 is a front view of the goggles shown in FIG. 1 with the strap omitted; and,

FIG. 11 is a left side view of the goggles shown in FIG. 1 with the strap omitted.

The broken lines showing of the strap shows unclaimed subject matter.

**1 Claim, 11 Drawing Sheets**



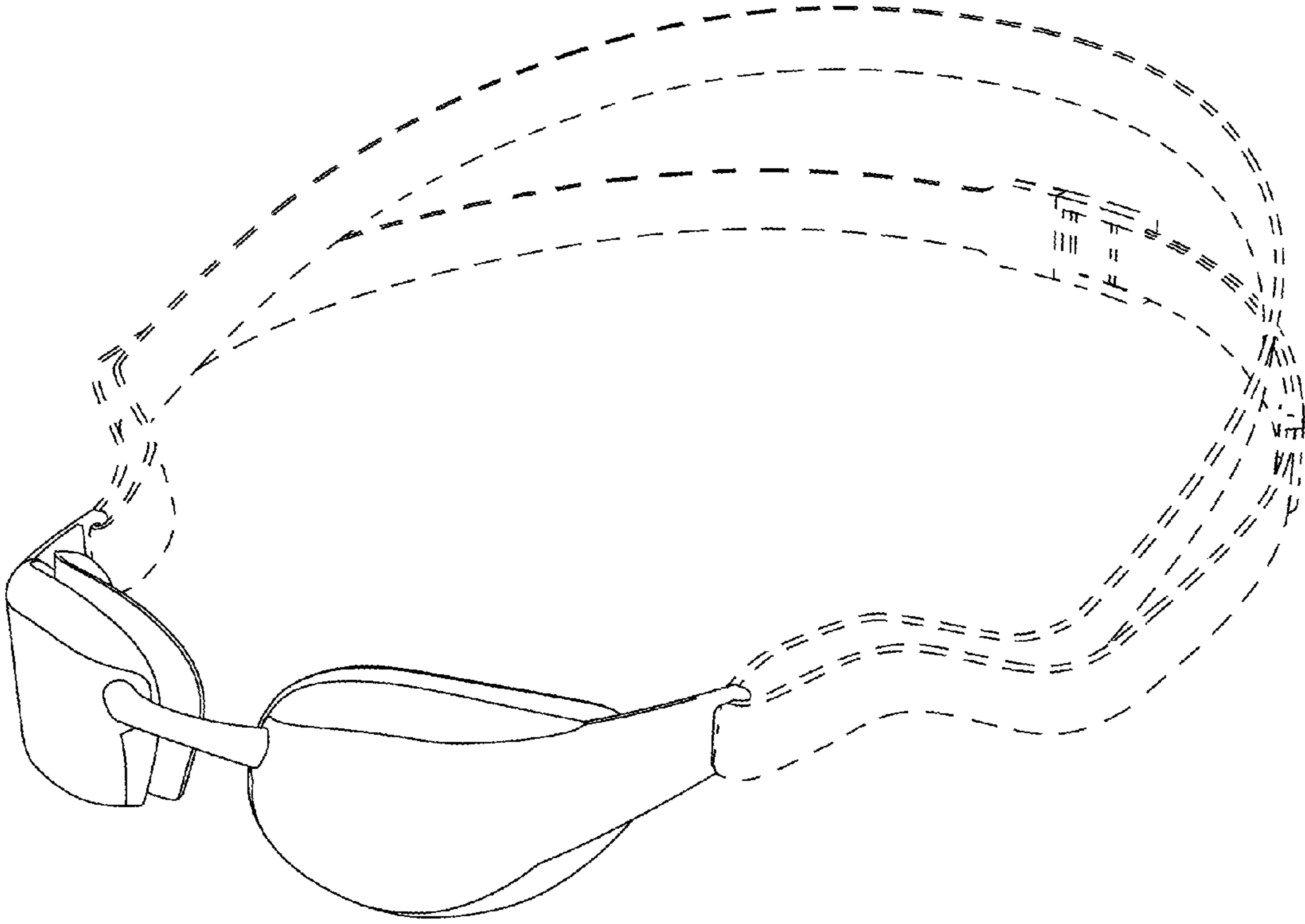


FIG. 1

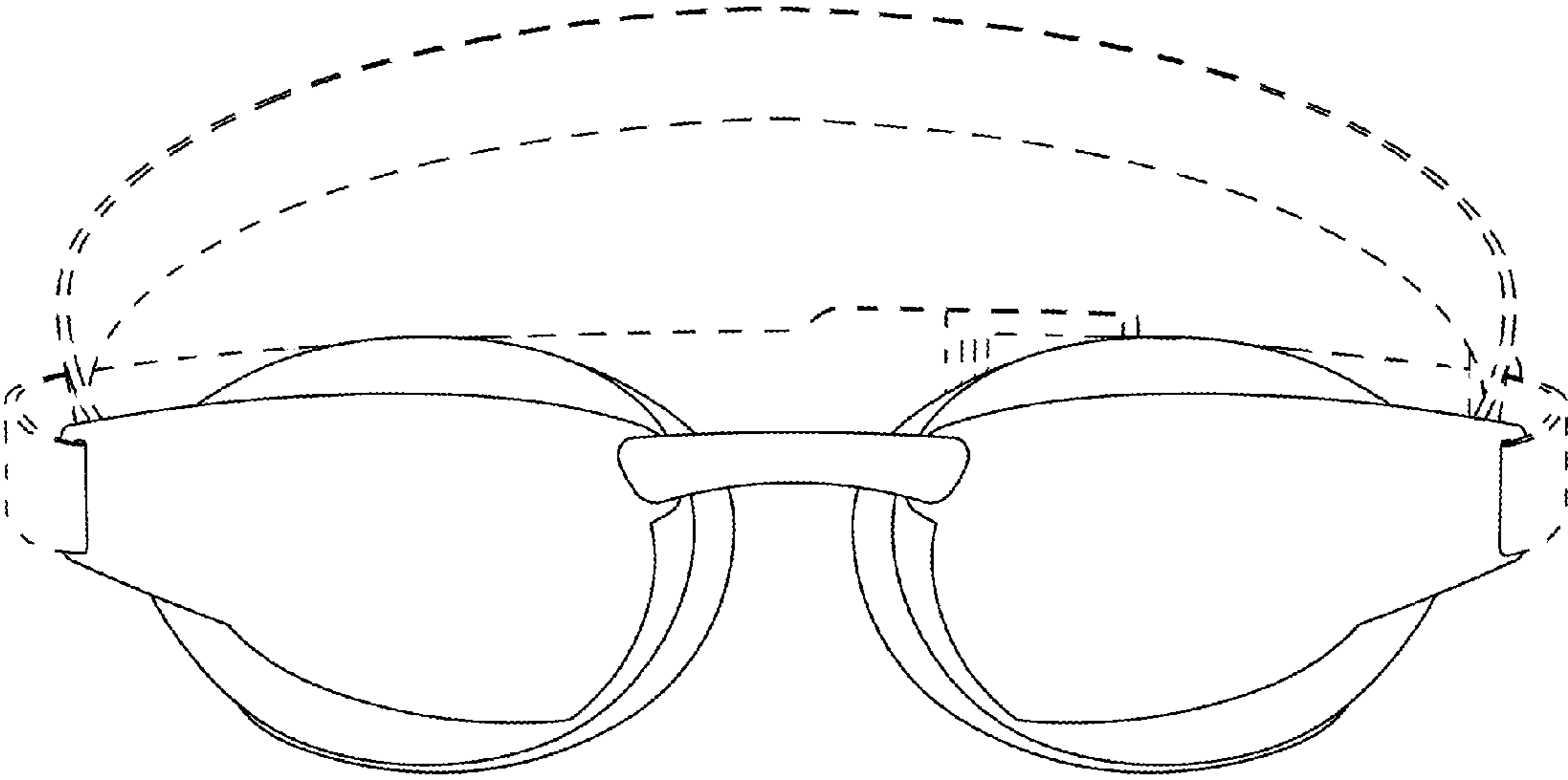


FIG. 2

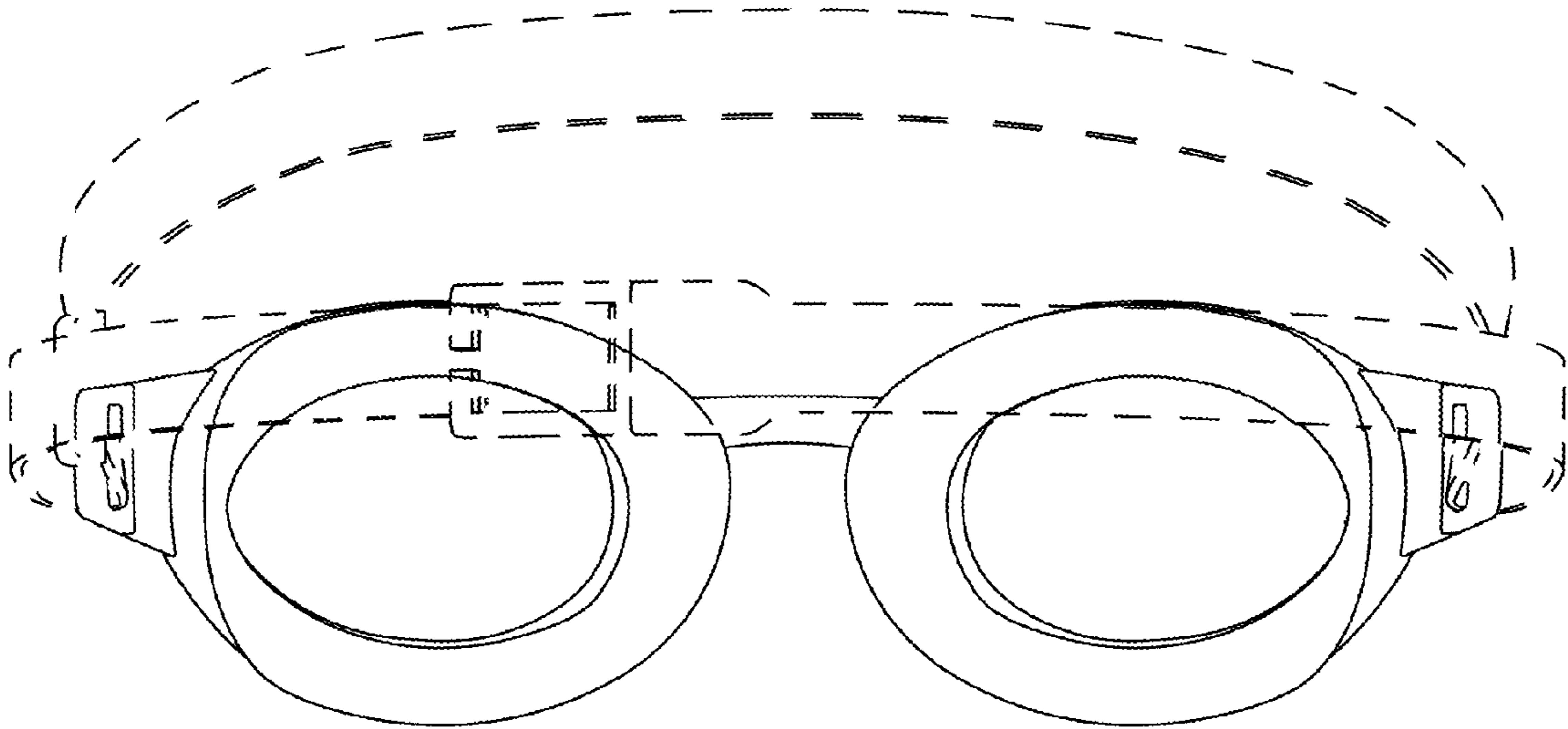


FIG. 3

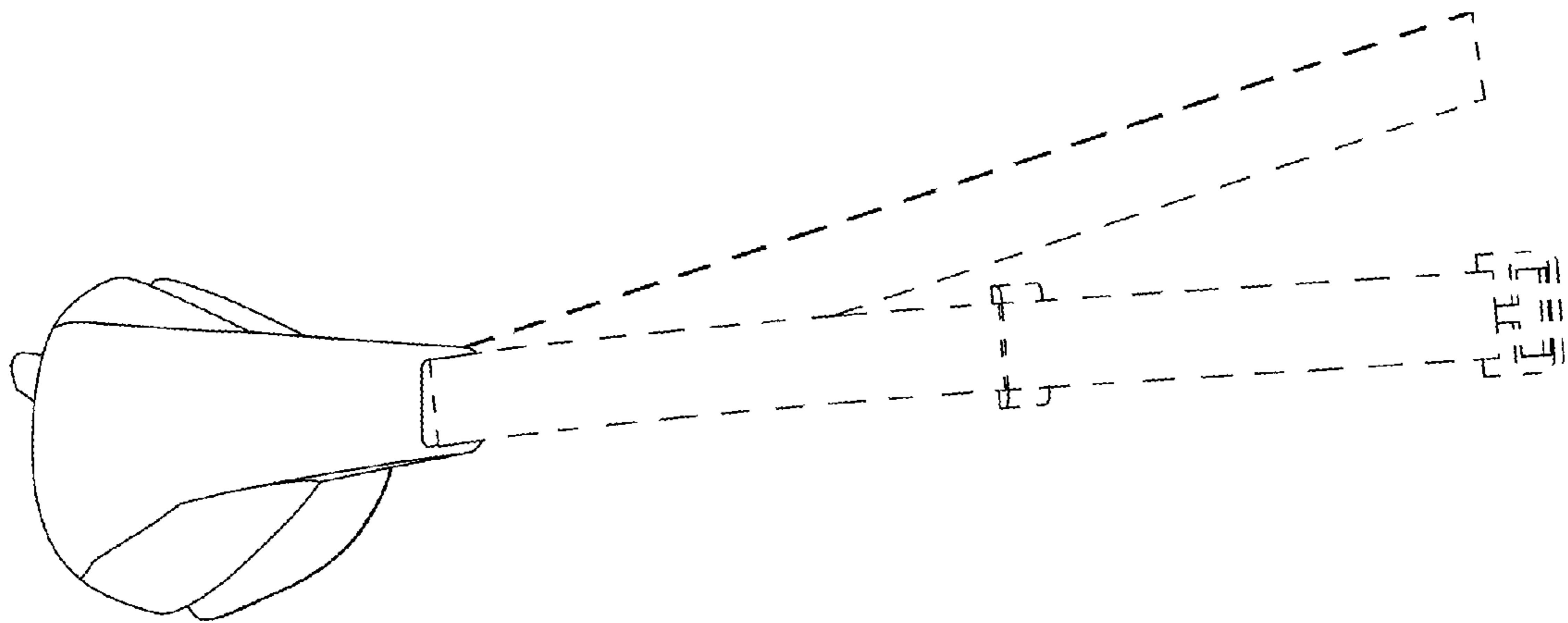


FIG. 4

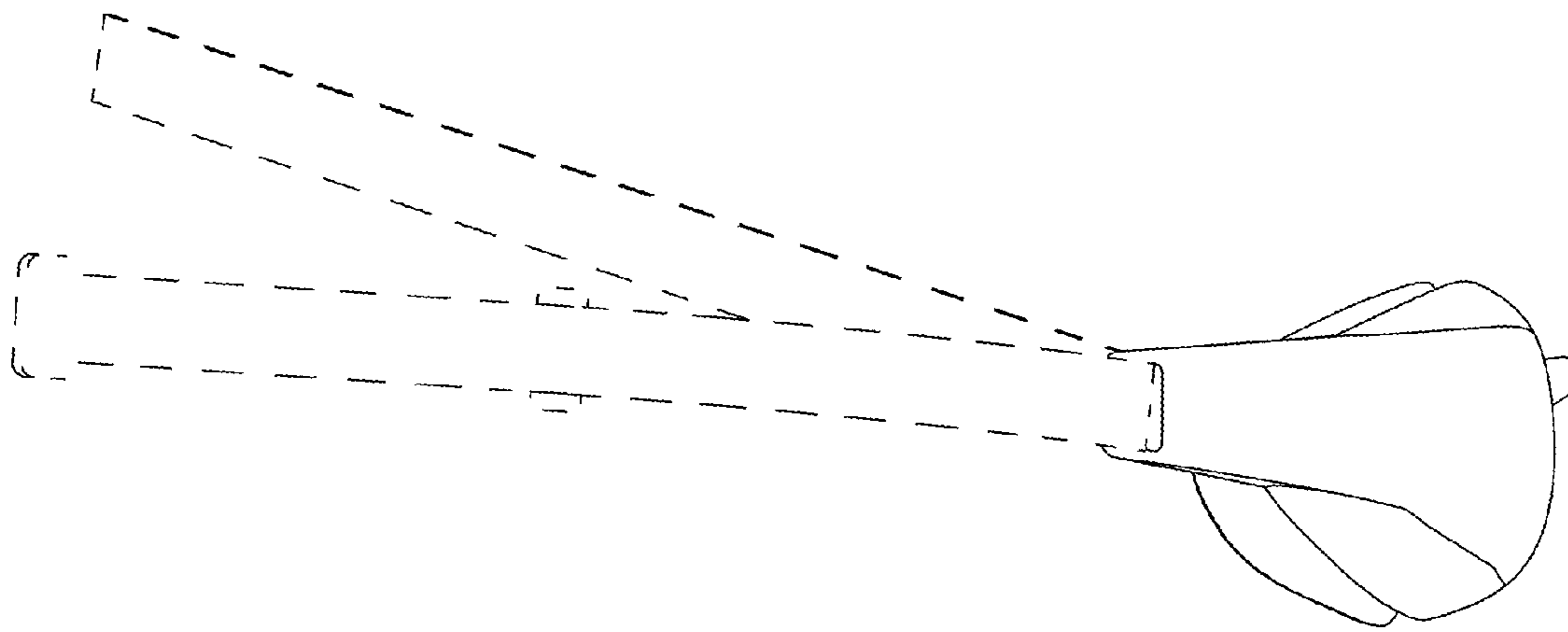


FIG. 5

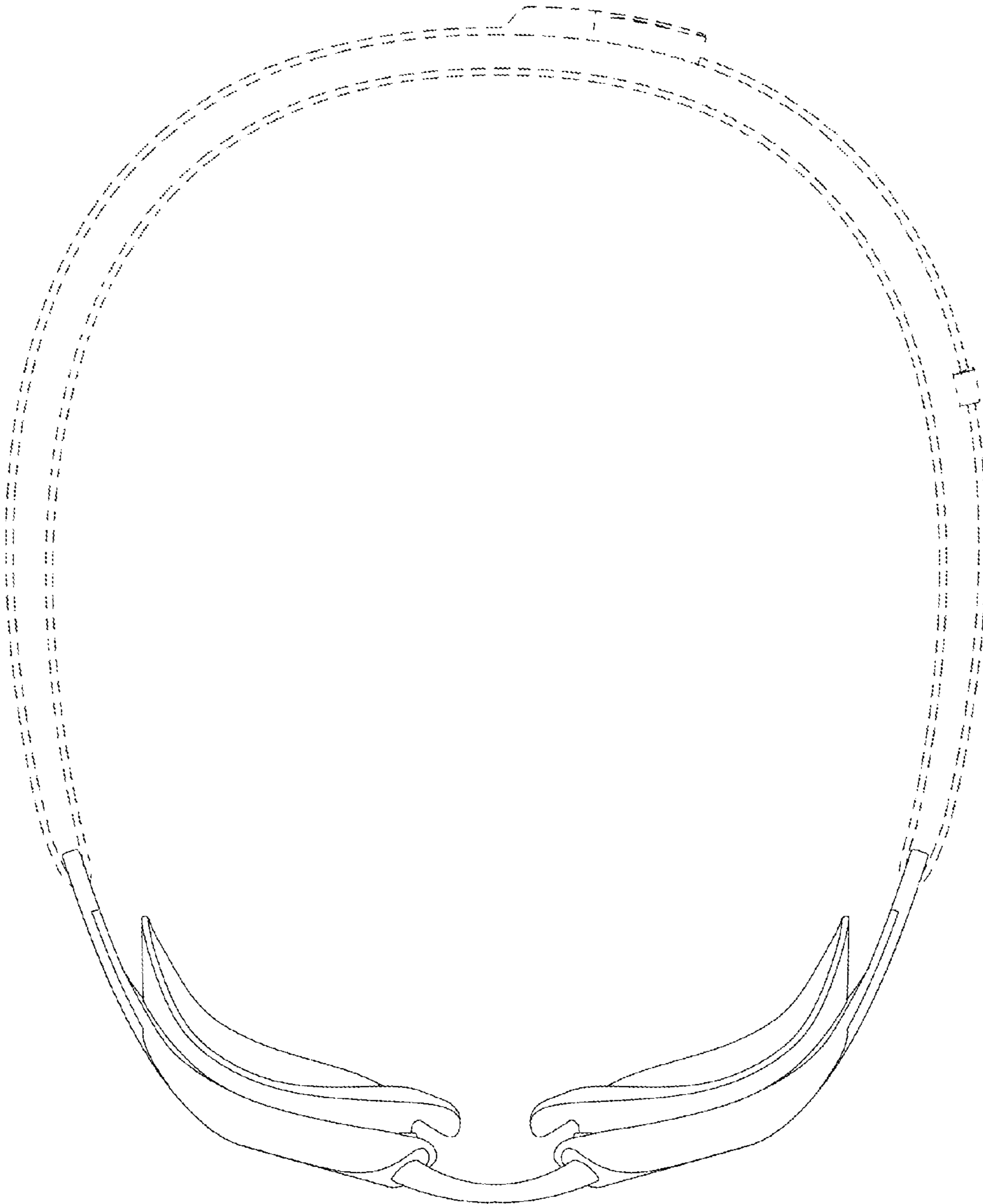


FIG. 6

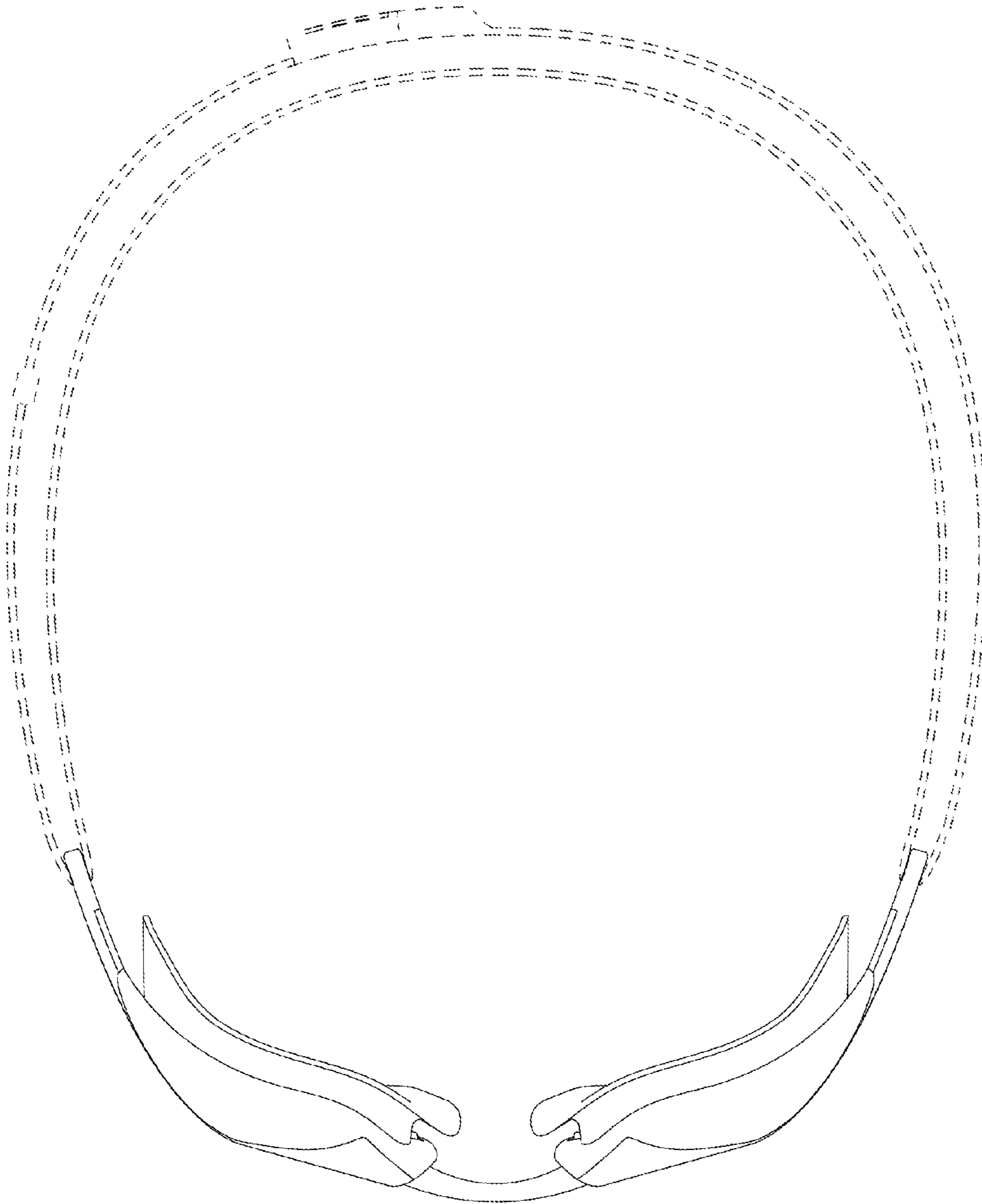


FIG. 7



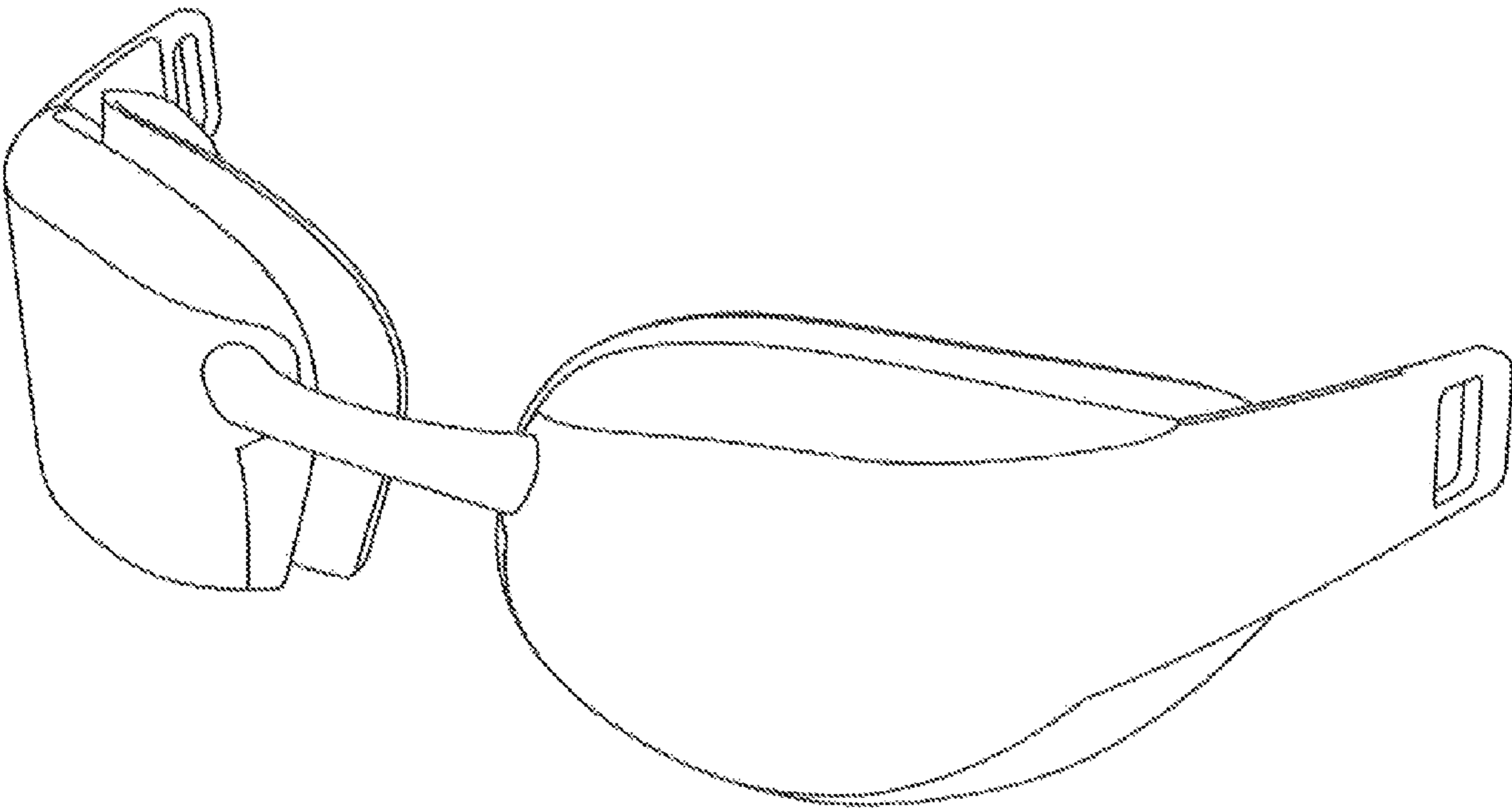


Fig. 8

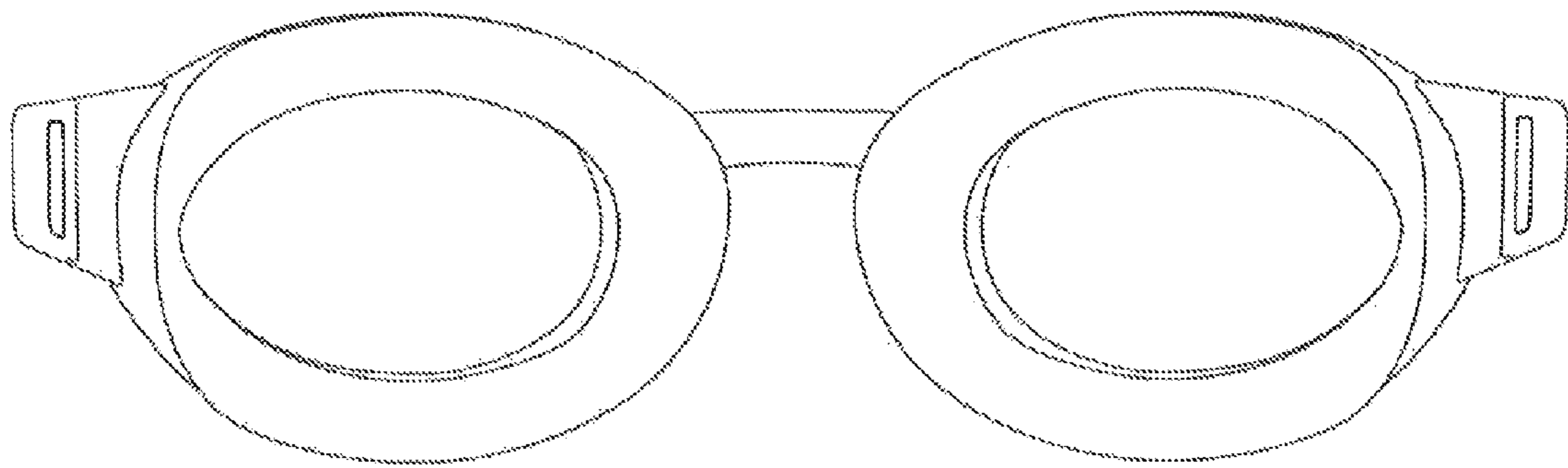


Fig. 9

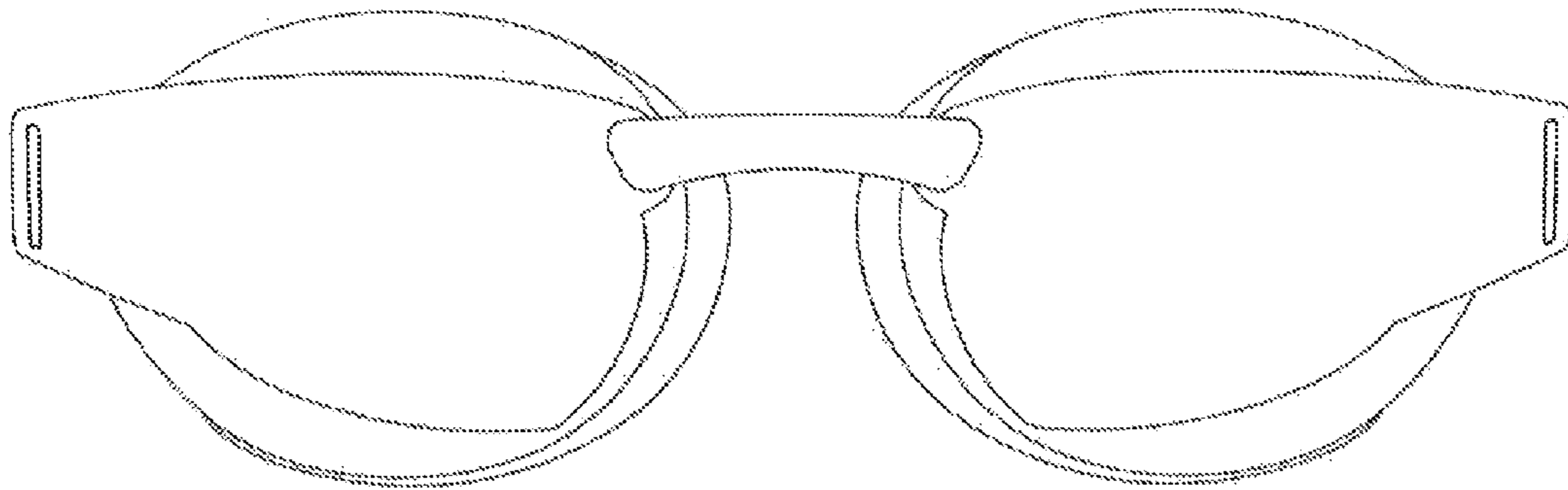


Fig. 10

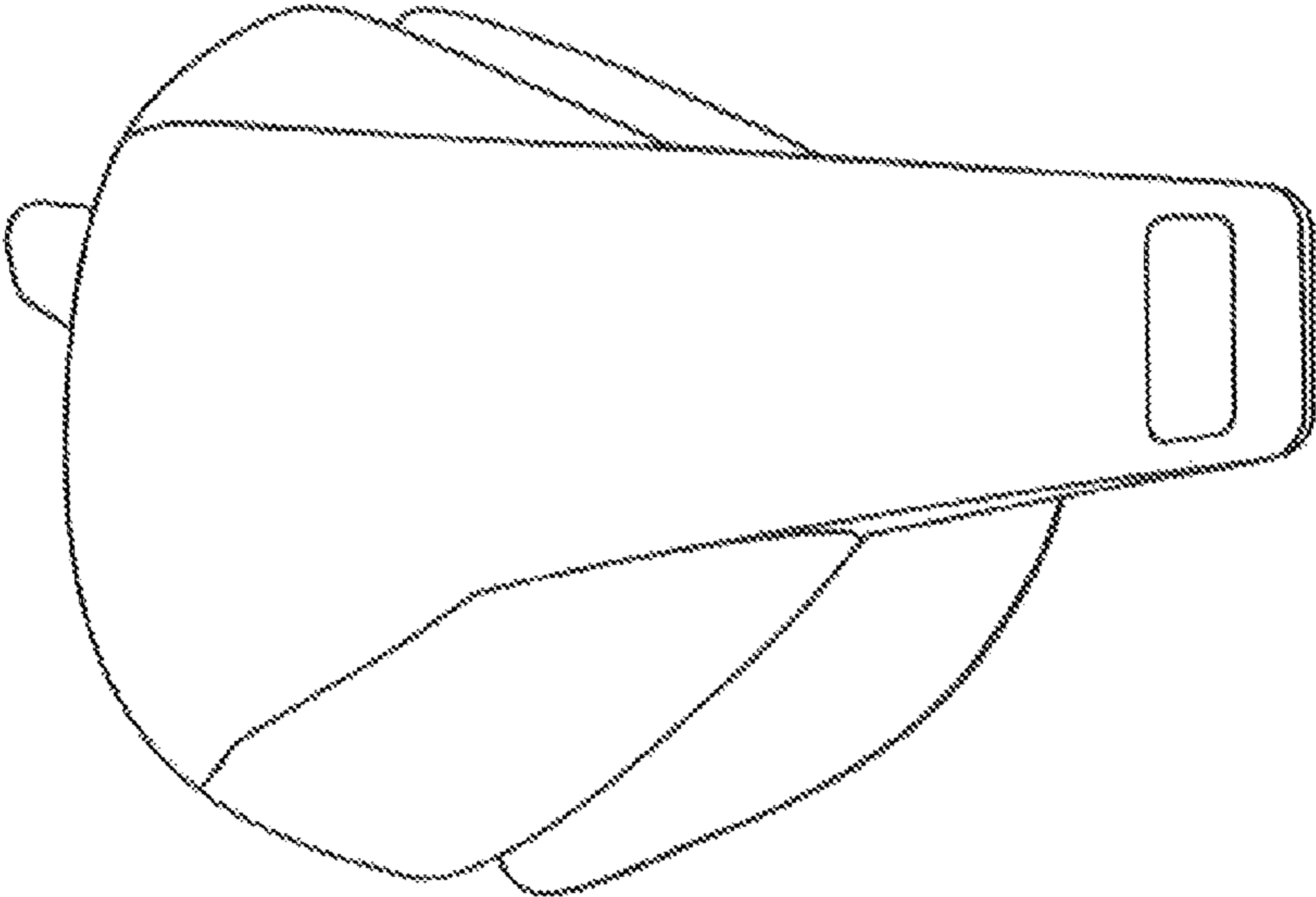


Fig. 11