



US00D695331S

(12) **United States Design Patent**  
**Ohashi**

(10) **Patent No.:** **US D695,331 S**

(45) **Date of Patent:** **\*\* Dec. 10, 2013**

(54) **PROJECTOR**

(75) Inventor: **Ippei Ohashi**, Osaka (JP)

(73) Assignee: **Sanyo Electric Co., Ltd.**, Osaka (JP)

(\*\*) Term: **14 Years**

(21) Appl. No.: **29/417,138**

(22) Filed: **Mar. 30, 2012**

(30) **Foreign Application Priority Data**

Oct. 4, 2011 (JP) ..... 2011-022774  
Oct. 4, 2011 (JP) ..... 2011-022775

(51) **LOC (9) Cl.** ..... **16-02**

(52) **U.S. Cl.**  
USPC ..... **D16/235**; D16/230

(58) **Field of Classification Search**  
USPC ..... D16/221, 225, 230–231, 234–235;  
D21/514; 353/52, 115, 119, 122  
See application file for complete search history.

(56) **References Cited**

**U.S. PATENT DOCUMENTS**

D418,532 S \* 1/2000 Kuramoto et al. .... D16/230  
7,850,309 B2 \* 12/2010 Hirouchi et al. .... 353/52  
D648,366 S \* 11/2011 Yuyama ..... D16/230  
D658,699 S \* 5/2012 Azuma ..... D16/230  
D667,480 S \* 9/2012 Yamada et al. .... D16/230  
8,398,250 B2 \* 3/2013 Adachi et al. .... 353/119  
2010/0208209 A1 \* 8/2010 Hirouchi ..... 353/119

**FOREIGN PATENT DOCUMENTS**

CN 301276361 \* 6/2010  
JP D1102869 S 3/2001  
JP D1129121 S 12/2001

JP D1144209 S 6/2002  
JP D1144210 S 6/2002  
JP D1144211 S 6/2002  
JP D1144399 S 6/2002  
JP D1144738 S 6/2002  
JP D1144952 S 6/2002  
JP D1145082 S 6/2002  
JP D1171266 S 4/2003  
JP D1171728 S 4/2003  
JP D1173517 S 5/2003  
JP D1174119 S 5/2003  
JP D1174209 S 5/2003  
JP D1188400 S 10/2003  
JP D1188404 S 10/2003  
JP D1201430 S 4/2004  
JP D1255769 S 11/2005  
JP D1272806 S 6/2006  
JP D1340460 S 9/2008  
JP D1351188 S 2/2009  
JP D1356468 S 4/2009  
JP D1395193 S 8/2010

\* cited by examiner

*Primary Examiner* — Wan Laymon

(74) *Attorney, Agent, or Firm* — McDermott Will & Emery LLP

(57) **CLAIM**

A new original design for projector, substantially as shown and described.

**DESCRIPTION**

FIG. 1 is a front, top, right-side perspective view of a design of a portion of the projector;  
FIG. 2 is a top elevation view thereof, wherein the bottom and rear features are identical, and disclaimed, with the exception of the lens housing; and,  
FIG. 3 is a left-side elevation view thereof.  
Wherein the broken lines form no part of the claimed design.

**1 Claim, 2 Drawing Sheets**

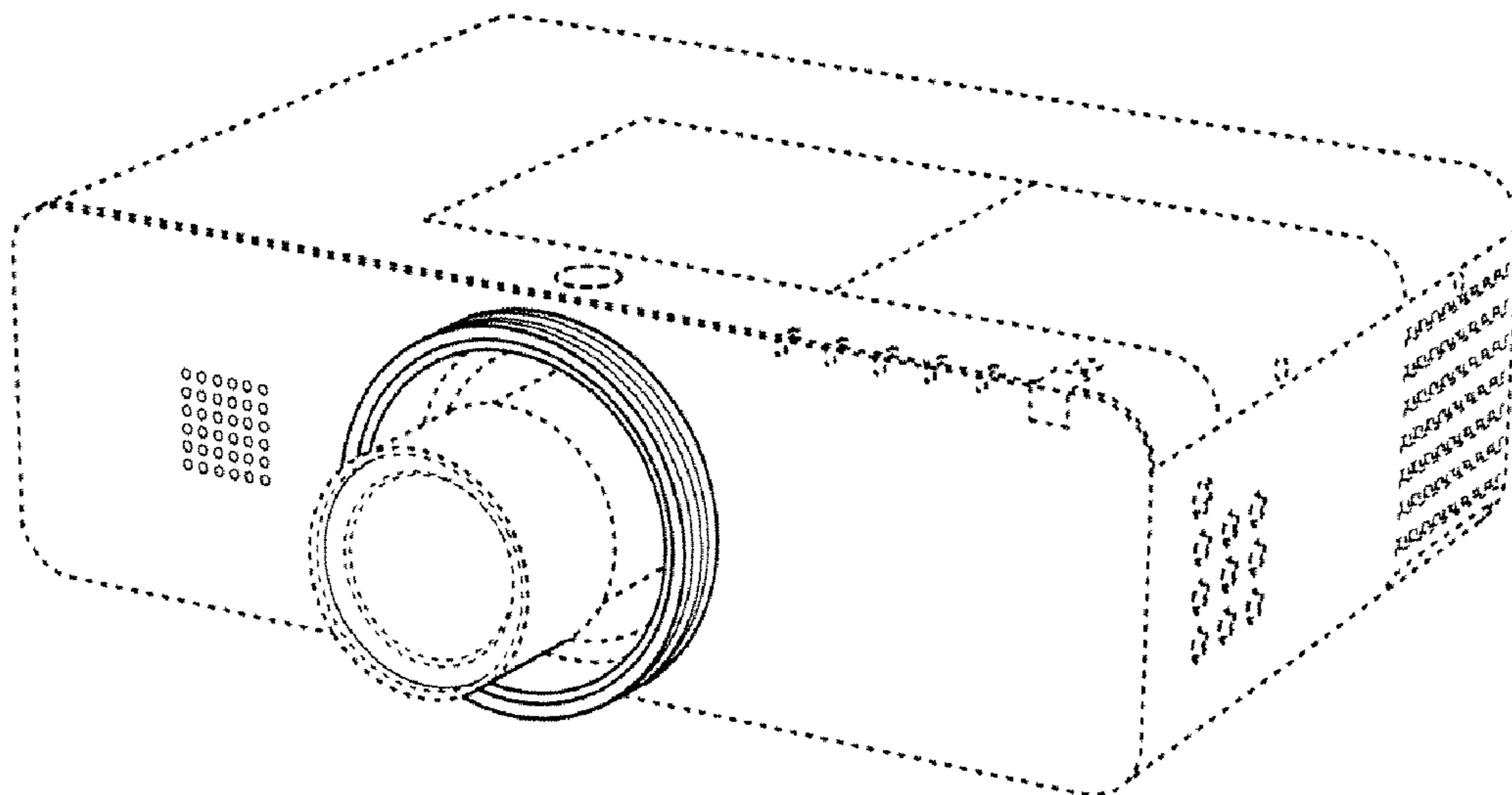


FIG. 1

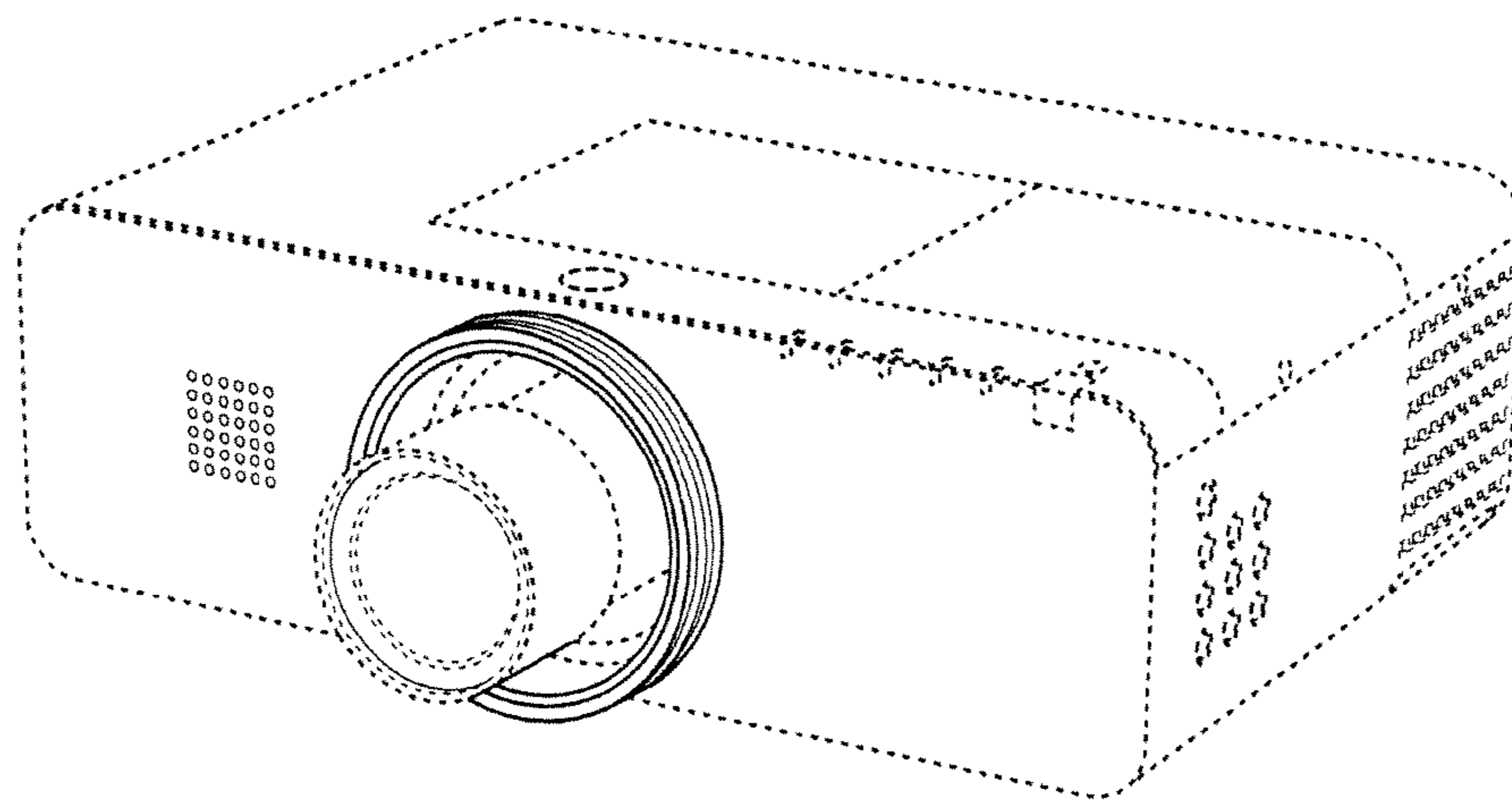


FIG. 2

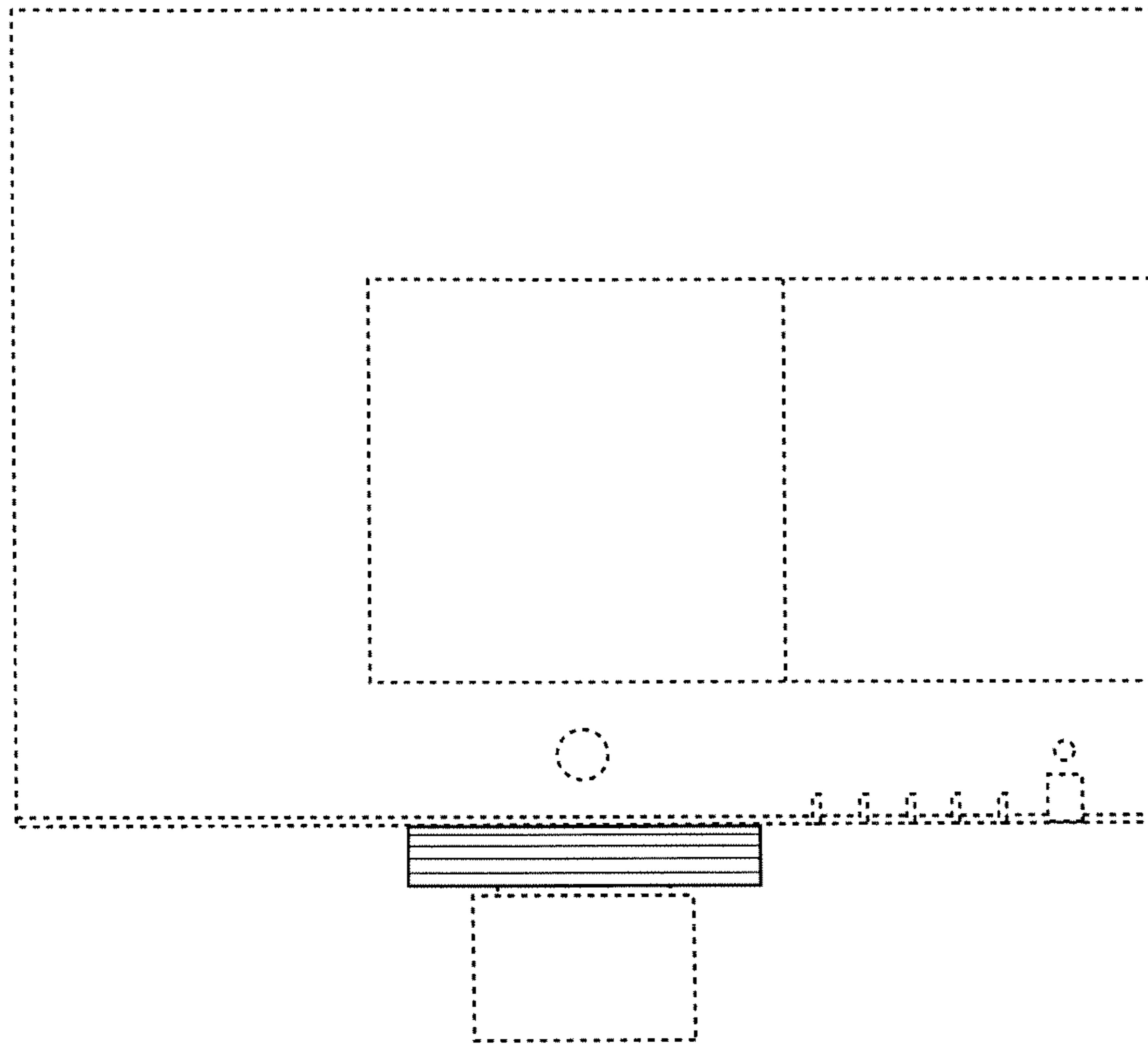


FIG. 3

