



US00D695330S

(12) **United States Design Patent**
Shimizu et al.

(10) **Patent No.:** **US D695,330 S**

(45) **Date of Patent:** **** Dec. 10, 2013**

(54) **PORTABLE DIGITAL CAMERA**

(71) Applicant: **Sony Corporation**, Tokyo (JP)

(72) Inventors: **Naoto Shimizu**, San Diego, CA (US);
Keiichi Totsuka, Rancho Palos Verdes,
CA (US)

(73) Assignee: **Sony Corporation**, Tokyo (JP)

(**) Term: **14 Years**

(21) Appl. No.: **29/438,160**

(22) Filed: **Nov. 27, 2012**

(51) **LOC (9) Cl.** **16-01**

(52) **U.S. Cl.**
USPC **D16/202; D16/203**

(58) **Field of Classification Search**
USPC D16/200, 202, 203, 204, 205, 218, 219;
348/143, 373–376; 396/535–541
See application file for complete search history.

(56) **References Cited**

U.S. PATENT DOCUMENTS

D255,362 S * 6/1980 Coleman D16/203
D366,271 S * 1/1996 Hasegawa D16/203
5,940,122 A * 8/1999 Kizawa et al. 348/143

7,440,693 B2 * 10/2008 Kouchi et al. 396/535
7,859,592 B2 * 12/2010 Takahashi et al. 348/373
D631,495 S * 1/2011 Lee et al. D16/202
D666,660 S * 9/2012 Amit et al. D16/203
D671,585 S * 11/2012 Mihara et al. D16/203

* cited by examiner

Primary Examiner — Adir Aronovich

(74) *Attorney, Agent, or Firm* — John L. Rogitz

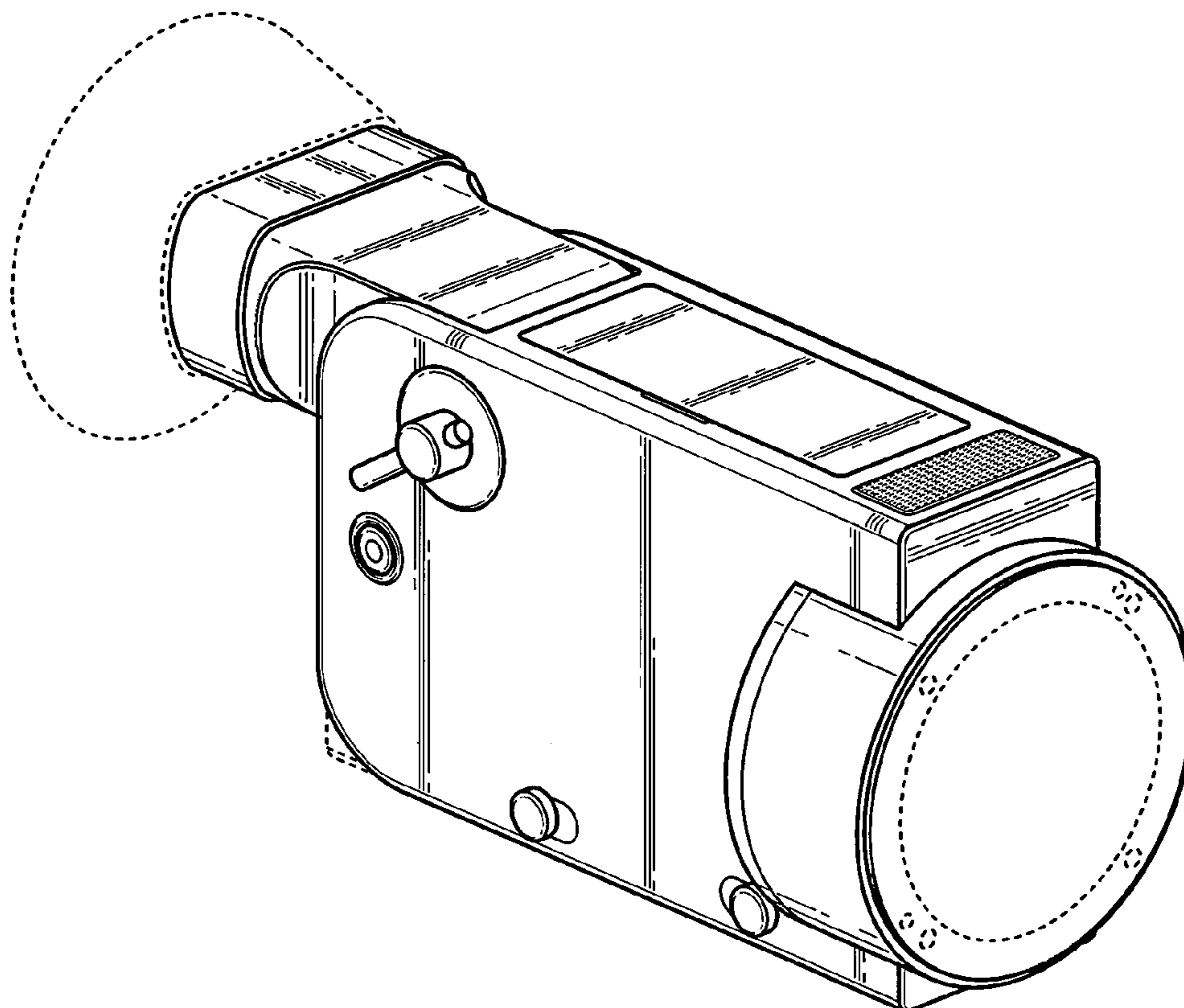
(57) **CLAIM**

The ornamental design for a portable digital camera, as shown and described.

DESCRIPTION

FIG. 1 is a top, front and left side perspective view of a portable digital camera showing our new design;
FIG. 2 is a front elevational view thereof;
FIG. 3 is a rear elevational view thereof;
FIG. 4 is a top plan view thereof;
FIG. 5 is a bottom plan view thereof;
FIG. 6 is a left side elevational view thereof; and,
FIG. 7 is right side elevational view thereof.
The portions of the portable digital camera in broken lines are shown for illustrative purposes only and form no part of the claimed design.

1 Claim, 4 Drawing Sheets



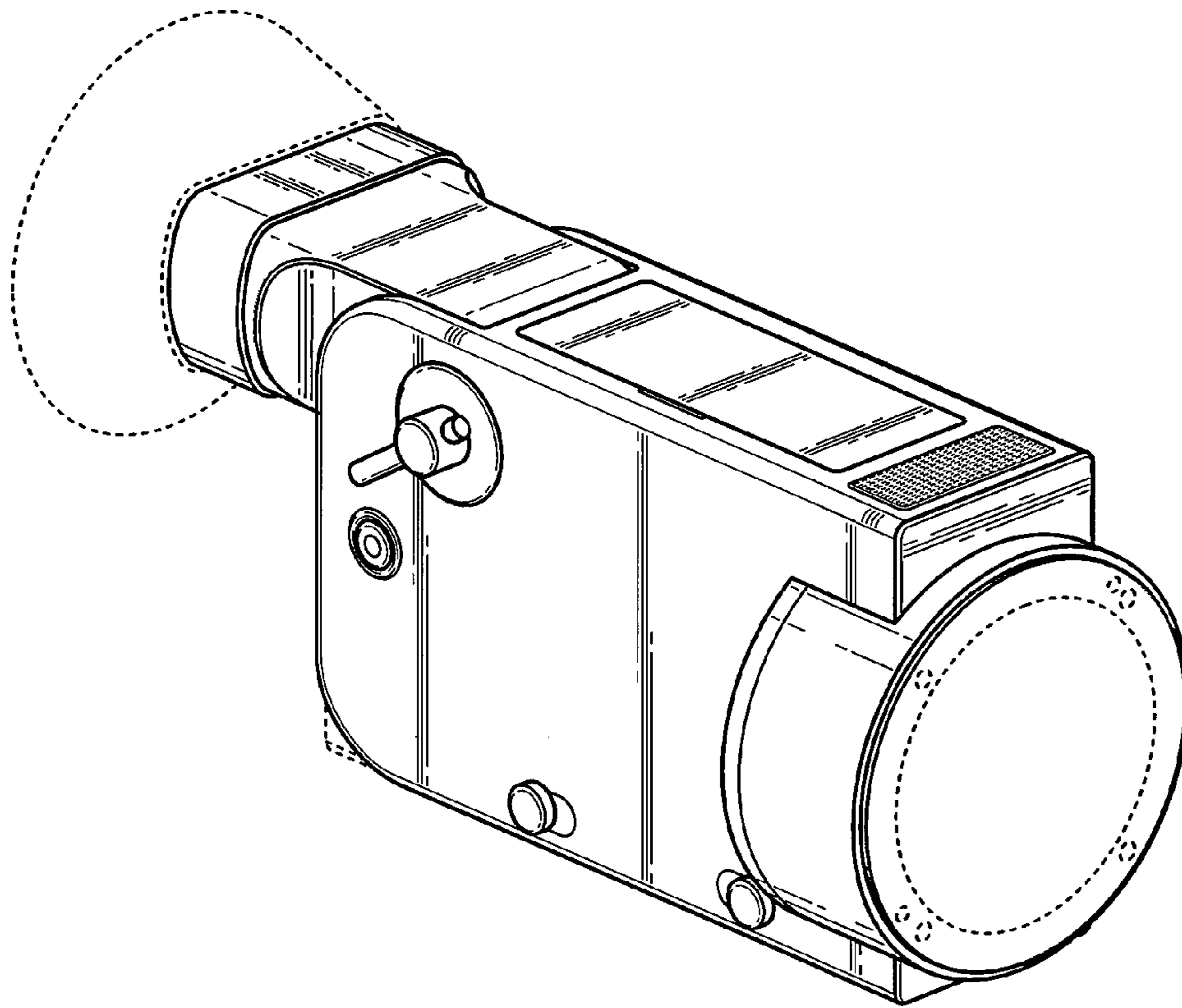


FIG. 1

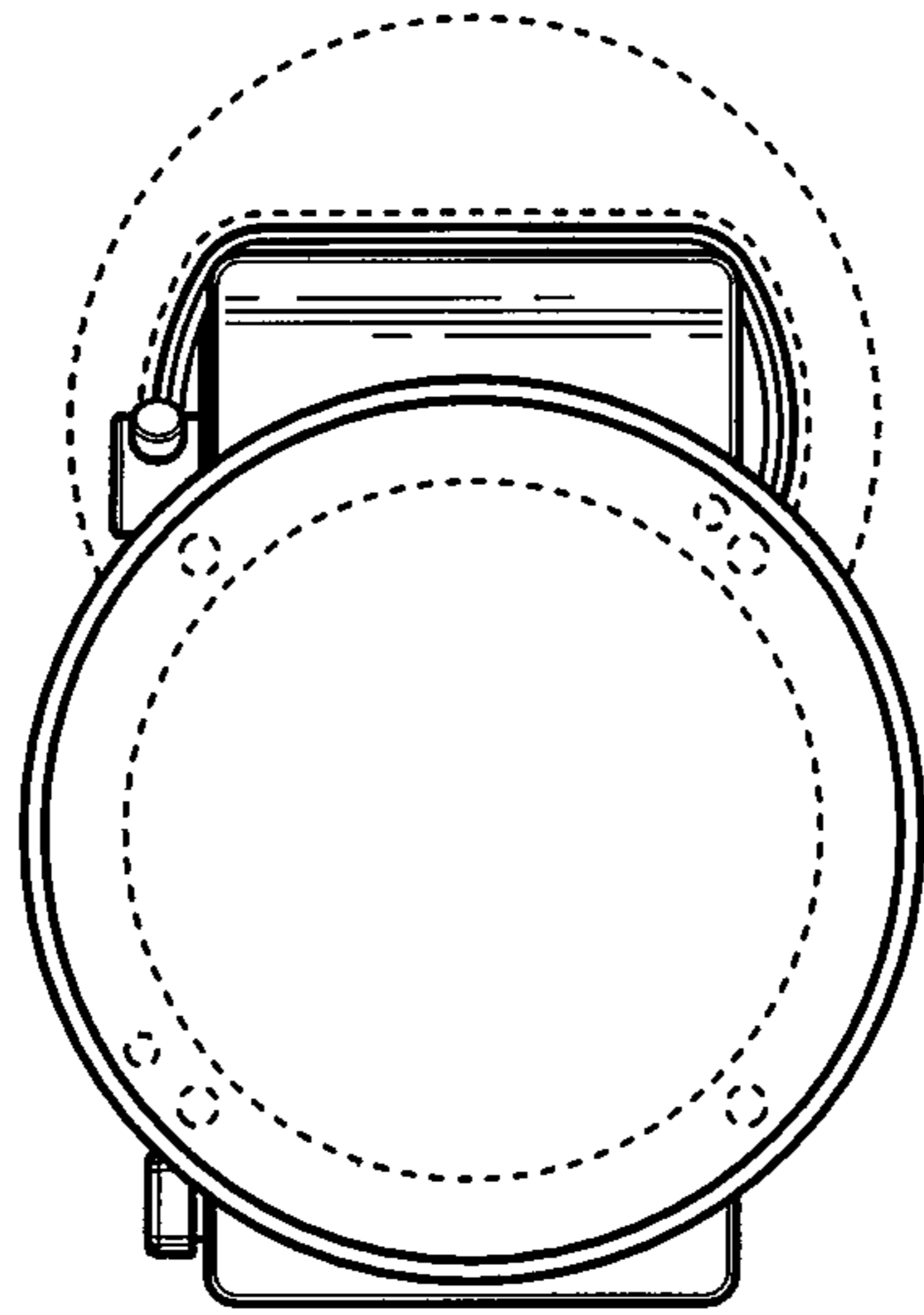


FIG. 2

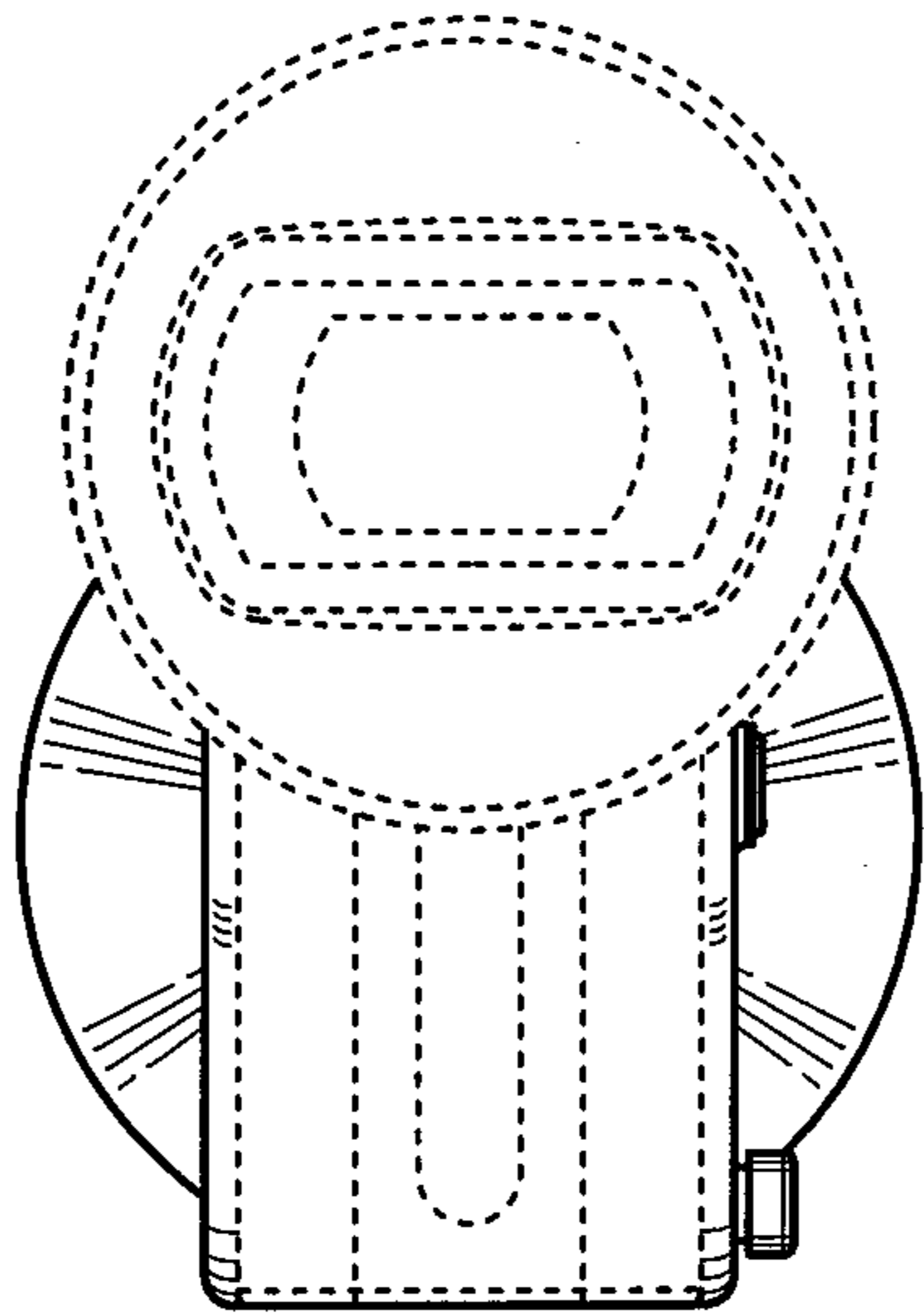


FIG. 3

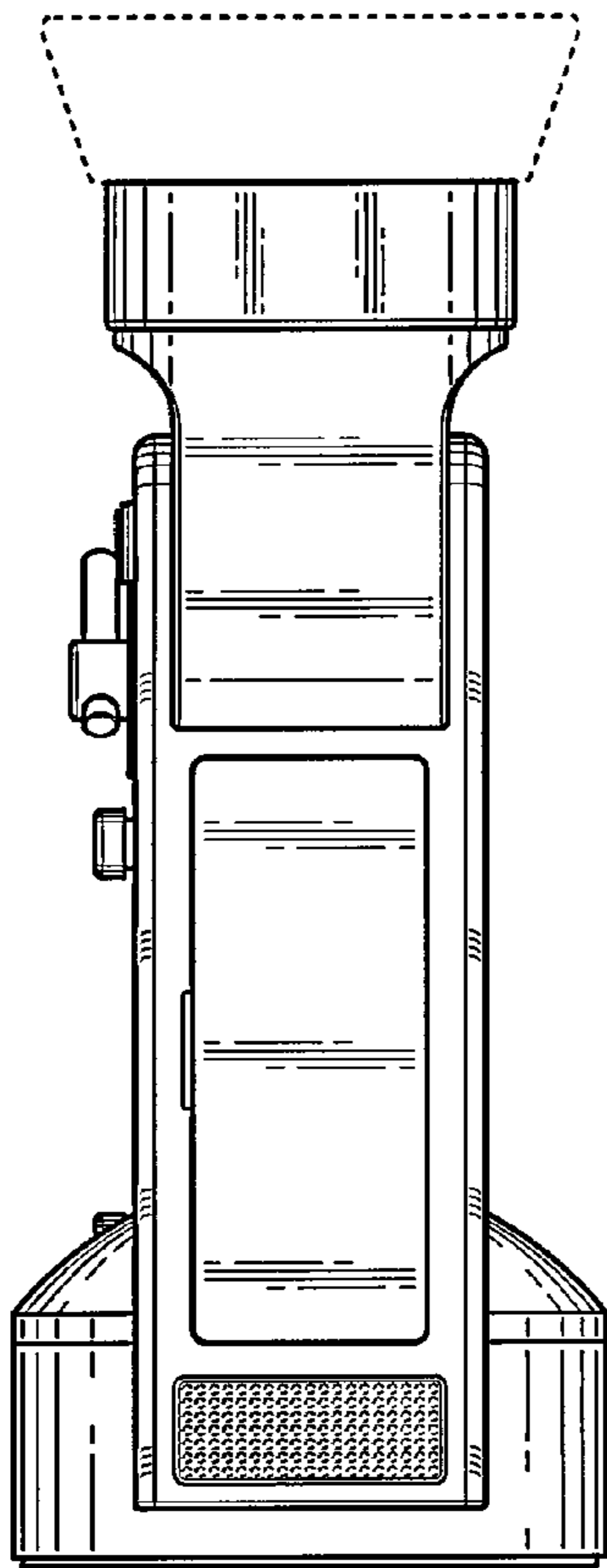


FIG. 4

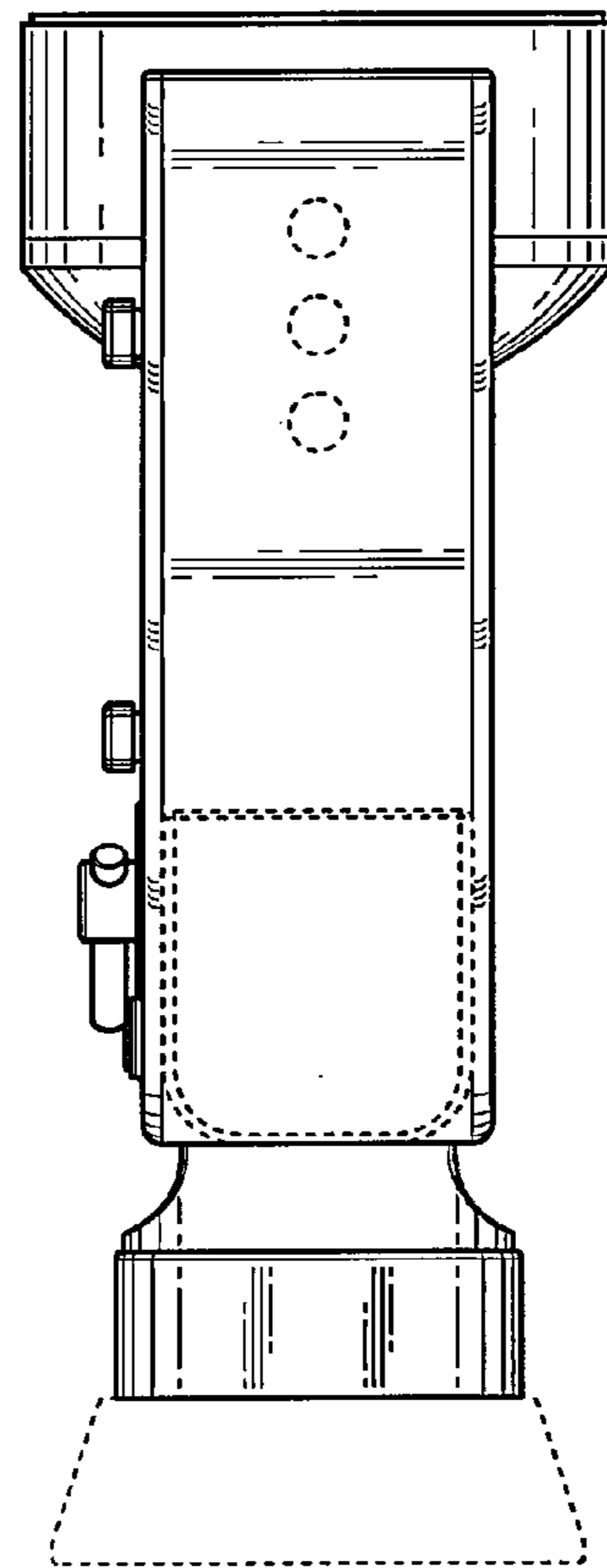


FIG. 5

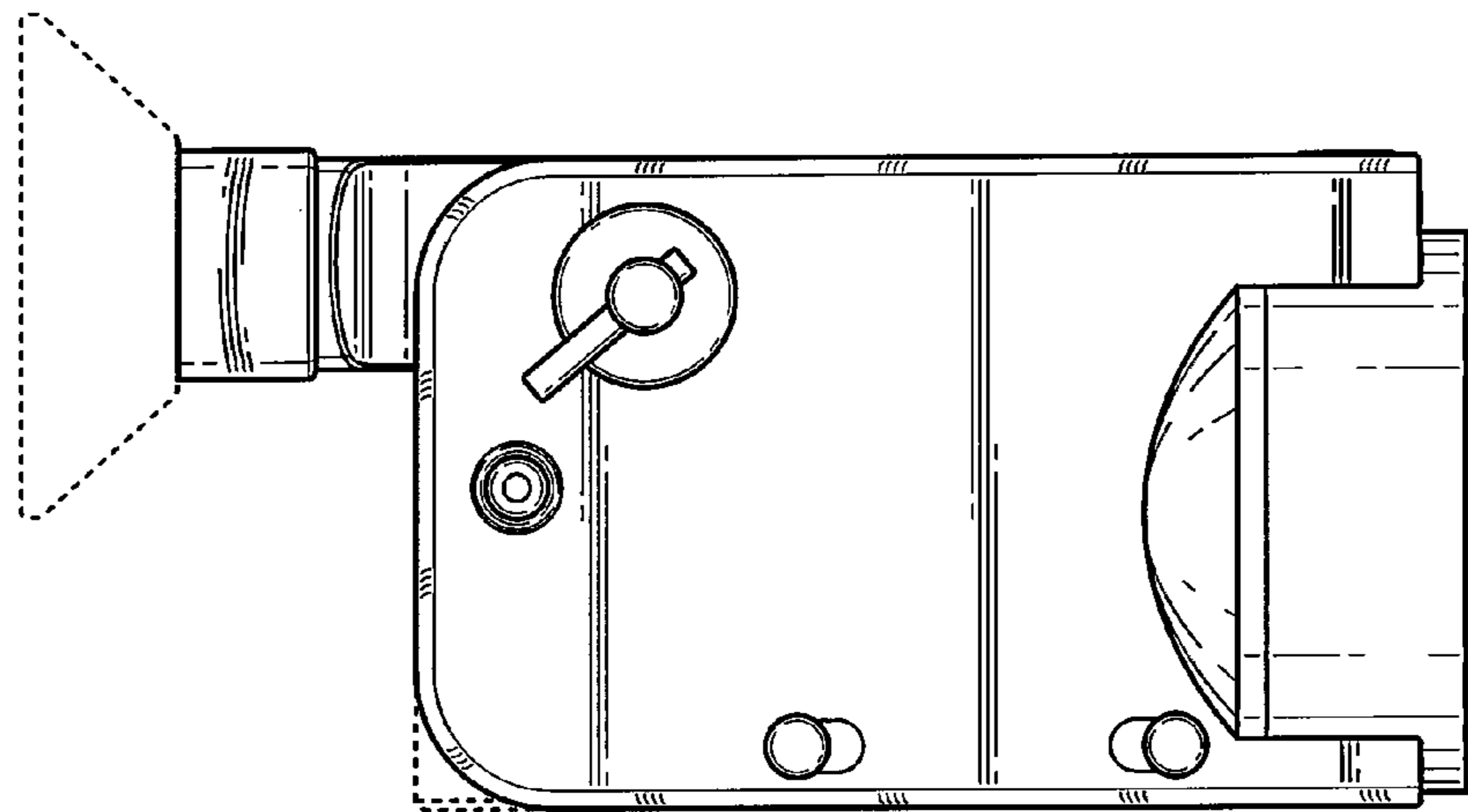


FIG. 6

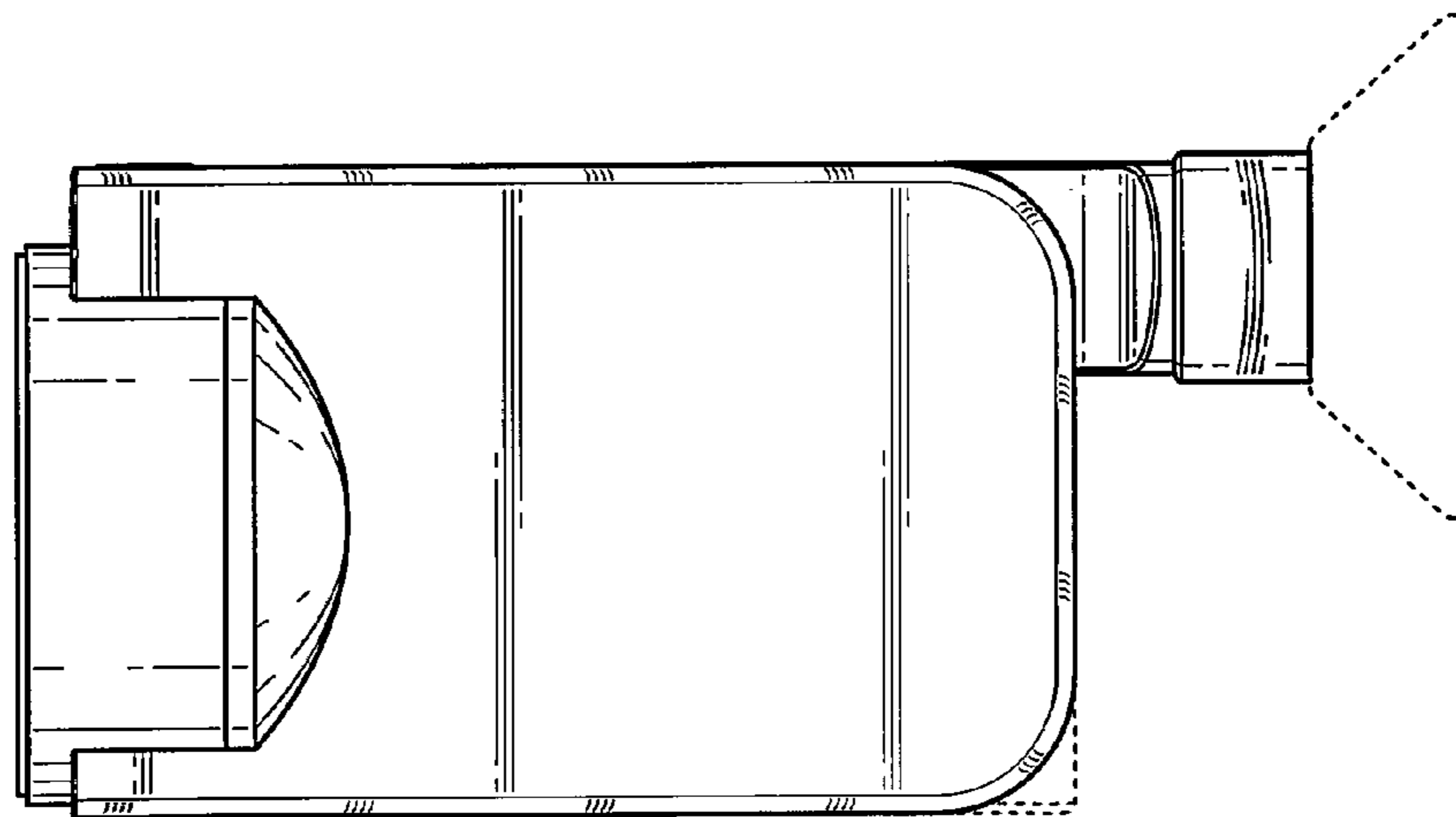


FIG. 7