



US00D695329S

(12) **United States Design Patent**  
**Fujita et al.**

(10) **Patent No.:** **US D695,329 S**

(45) **Date of Patent:** **\*\* Dec. 10, 2013**

(54) **DIGITAL CAMERA**

(75) Inventors: **Chikara Fujita**, Tokyo (JP); **Tatsuya Kobayashi**, Tokyo (JP)

(73) Assignee: **Nikon Corporation**, Tokyo (JP)

(\*\*) Term: **14 Years**

(21) Appl. No.: **29/428,069**

(22) Filed: **Jul. 25, 2012**

(30) **Foreign Application Priority Data**

Jan. 31, 2012 (JP) ..... 2012-001936

(51) **LOC (9) Cl.** ..... **16-01**

(52) **U.S. Cl.**  
USPC ..... **D16/202**

(58) **Field of Classification Search**  
USPC ..... D16/200, 202, 203, 204, 218;  
348/373-376; 358/909.1; 396/535-541  
See application file for complete search history.

(56) **References Cited**

**U.S. PATENT DOCUMENTS**

D536,356 S \* 2/2007 Nakamura ..... D16/202  
D545,335 S \* 6/2007 Kanno ..... D16/202

D604,348 S \* 11/2009 Inaba ..... D16/202  
7,646,426 B2 \* 1/2010 Saiki et al. .... 348/373  
D635,604 S \* 4/2011 Sul et al. .... D16/202  
8,014,667 B2 \* 9/2011 Saiki ..... 396/535  
D650,409 S \* 12/2011 Lee ..... D16/202  
D652,853 S \* 1/2012 Tsukamoto ..... D16/202

\* cited by examiner

*Primary Examiner* — Adir Aronovich

(74) *Attorney, Agent, or Firm* — Wolf, Greenfield & Sacks, P.C.; Randy J. Pritzker

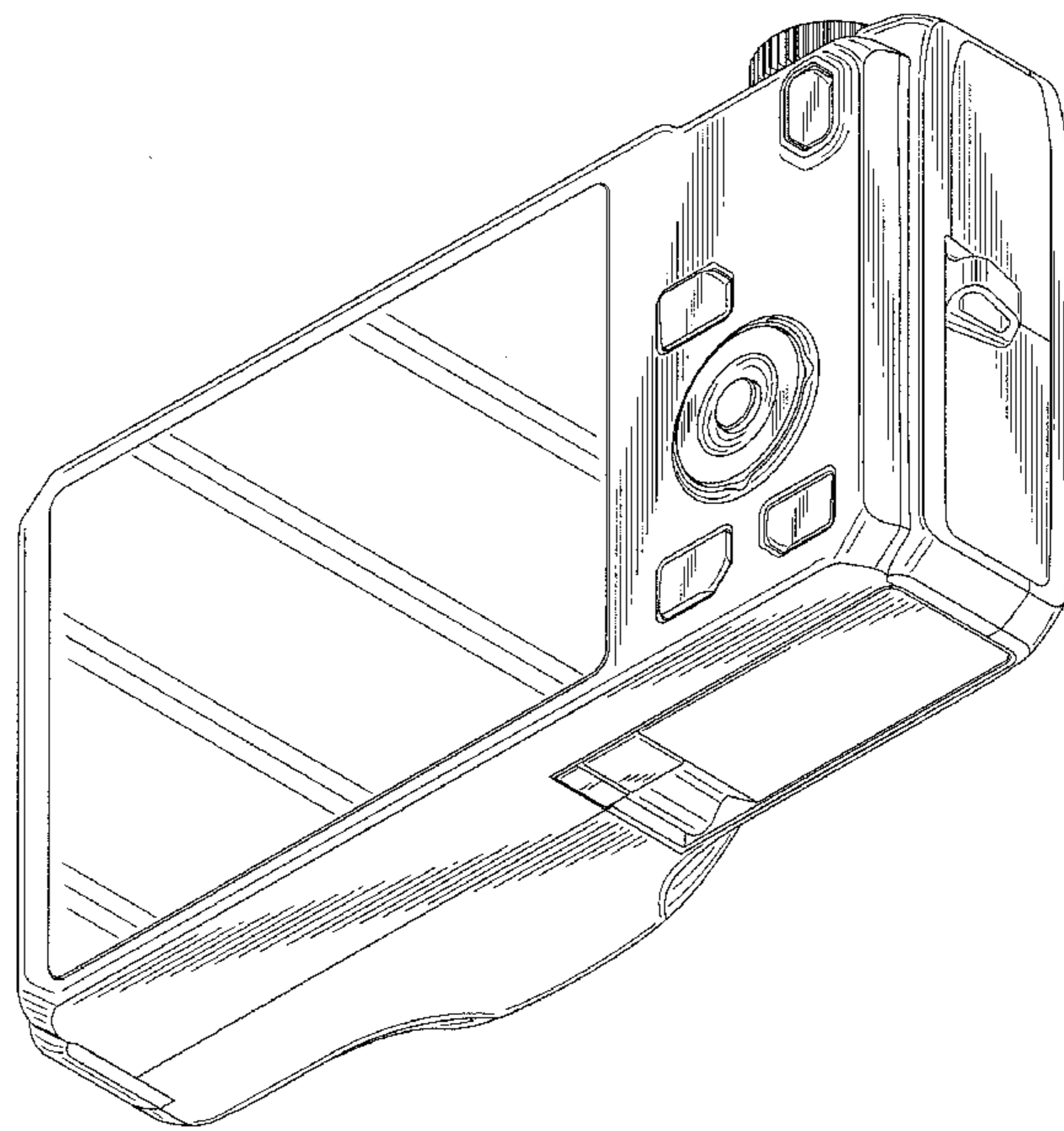
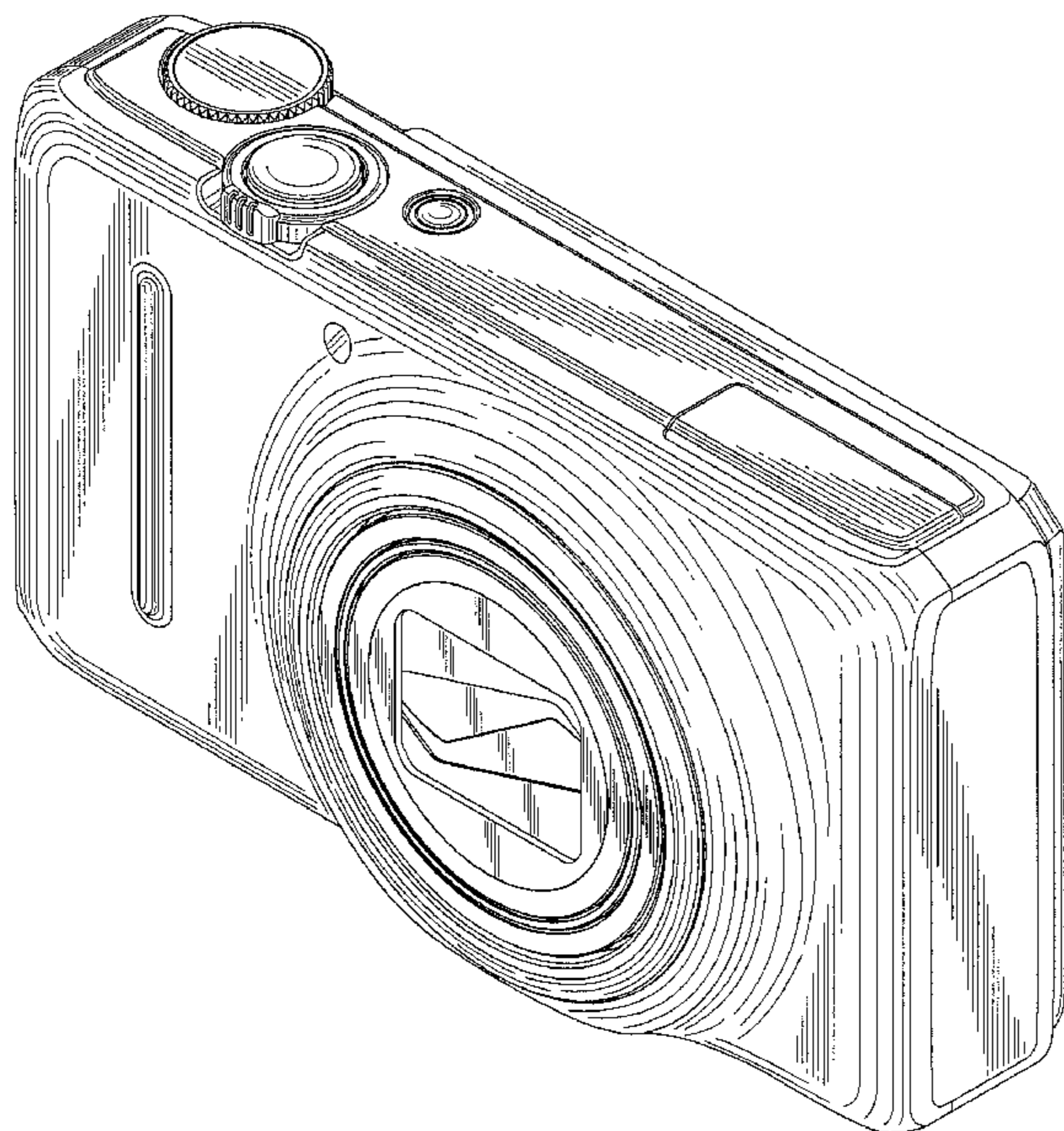
(57) **CLAIM**

The ornamental design for a digital camera, as shown.

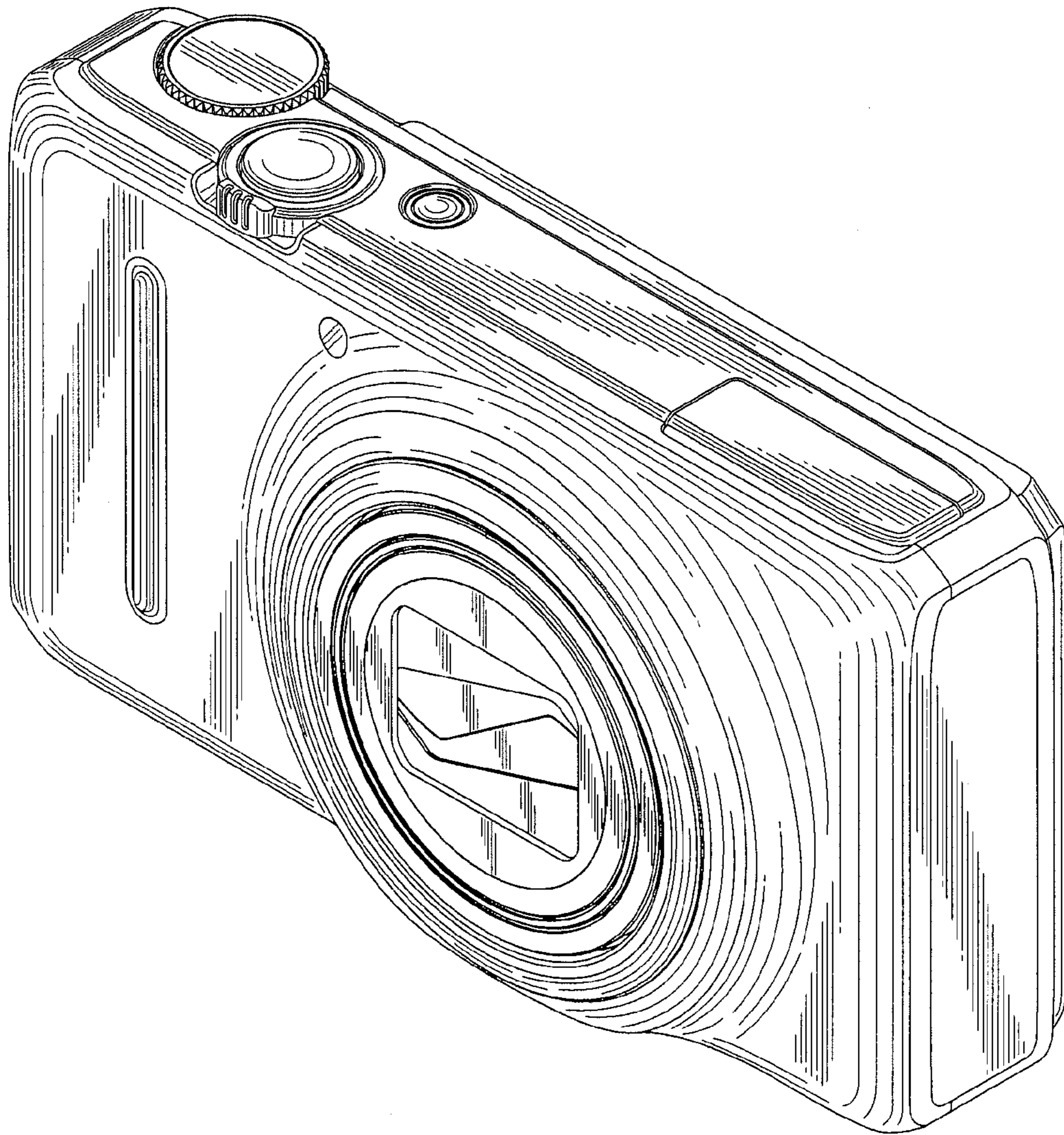
**DESCRIPTION**

FIG. 1 is a top, front and right side perspective view of a digital camera showing our new design; FIG. 2 is a rear perspective view thereof; FIG. 3 is a front elevational view thereof; FIG. 4 is a rear elevational view thereof; FIG. 5 is a top plan view thereof; FIG. 6 is a bottom plan view thereof; FIG. 7 is a right side elevational view thereof; and, FIG. 8 is a left side elevational view thereof.

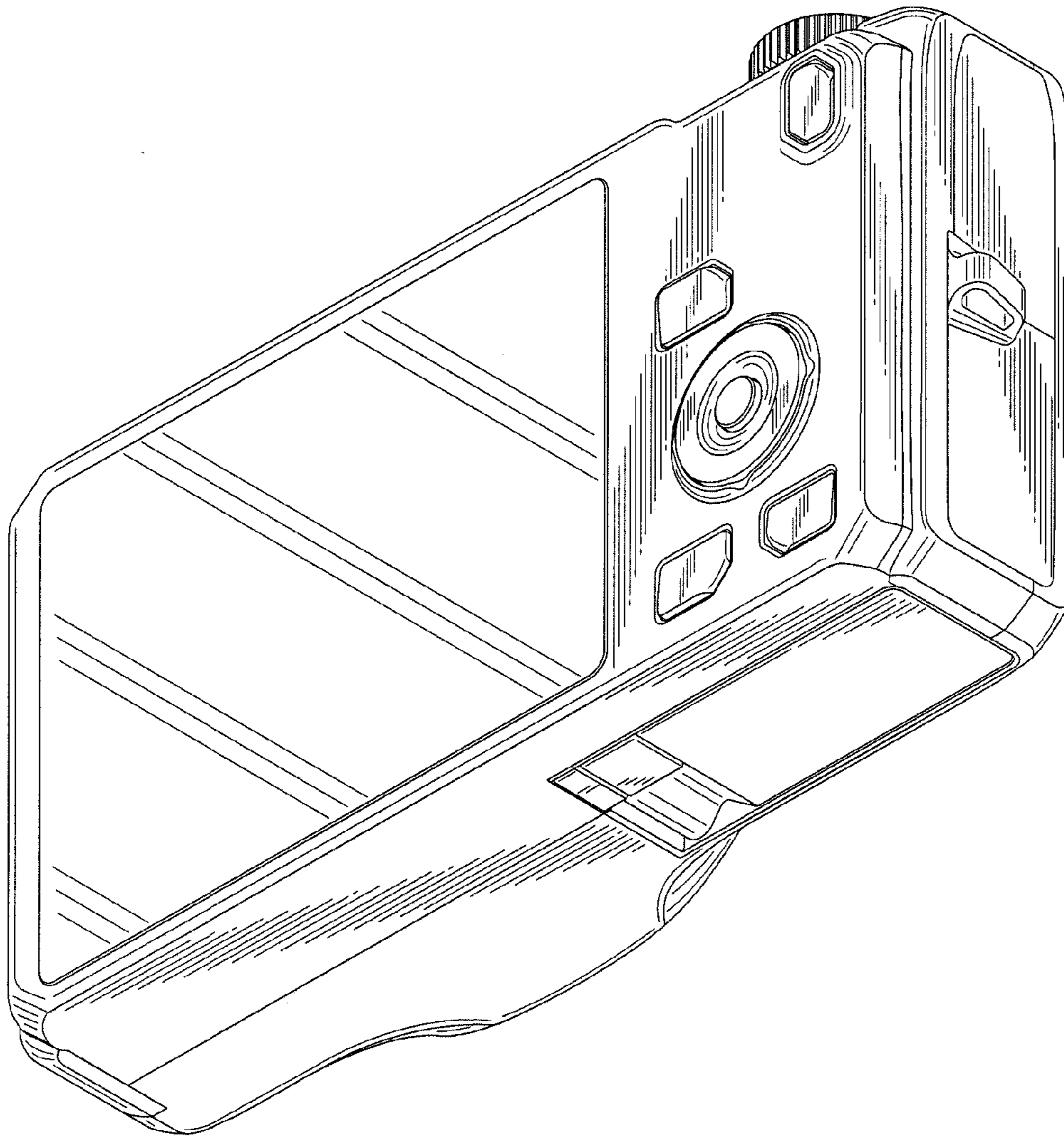
**1 Claim, 8 Drawing Sheets**



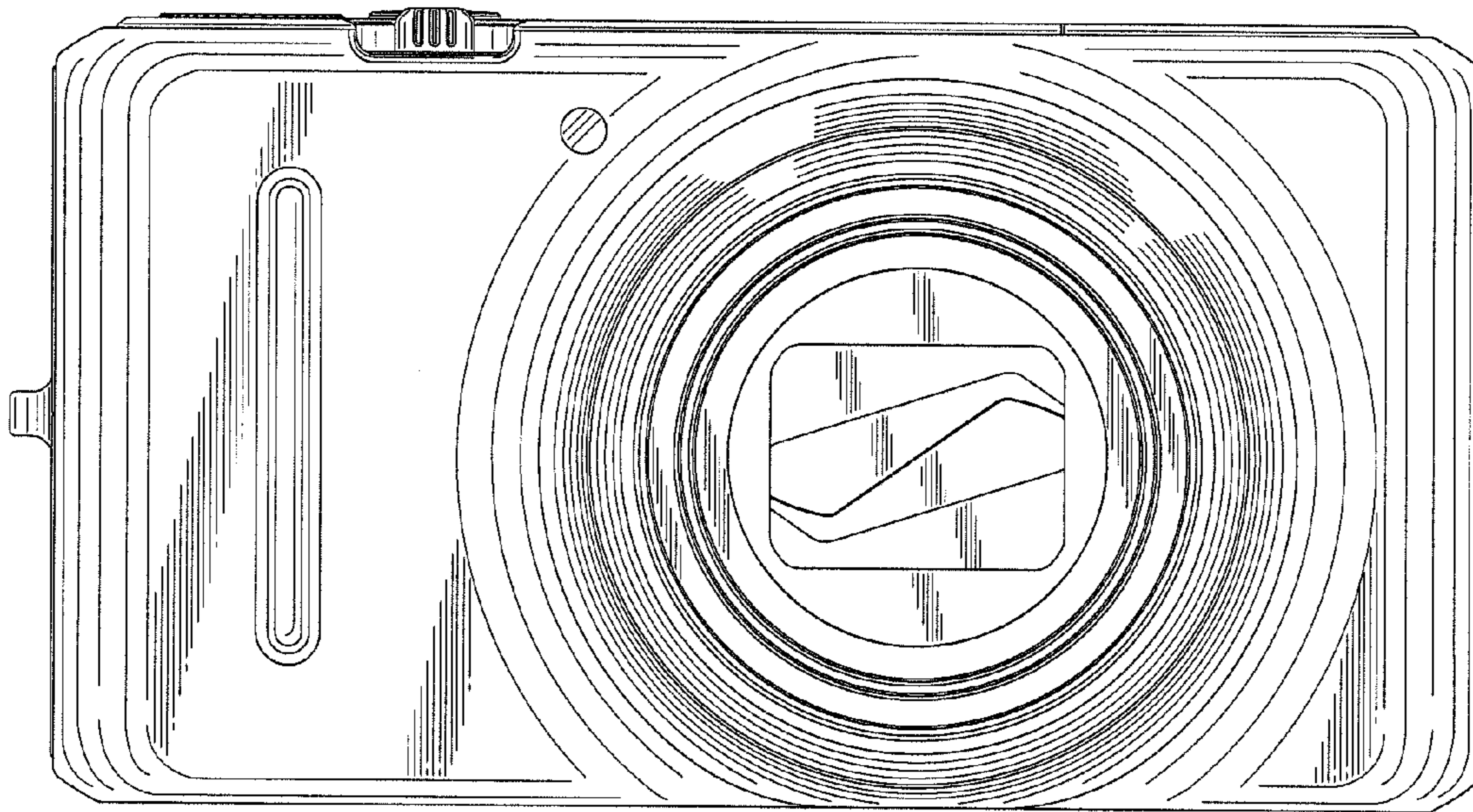
*FIG. 1*



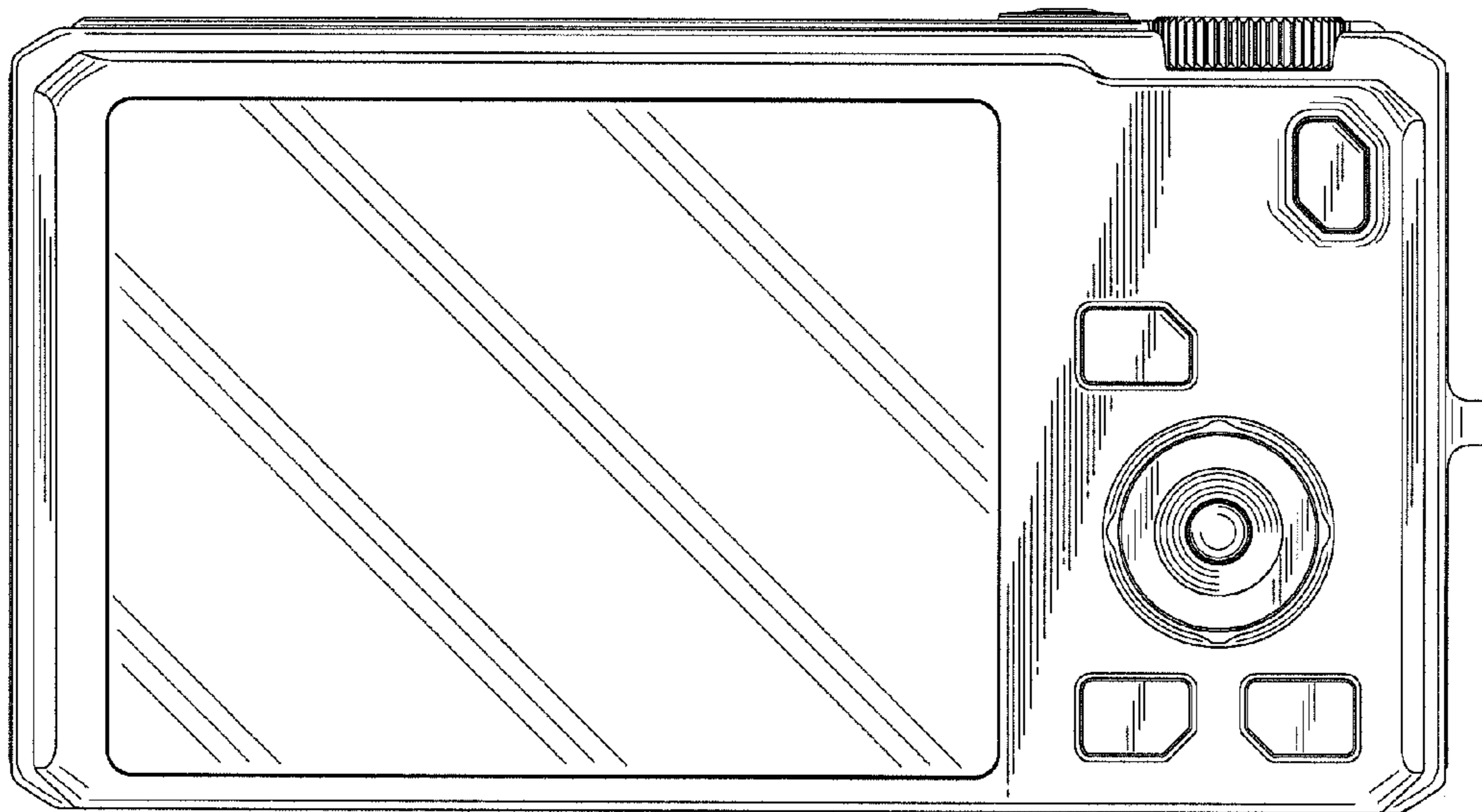
**FIG. 2**



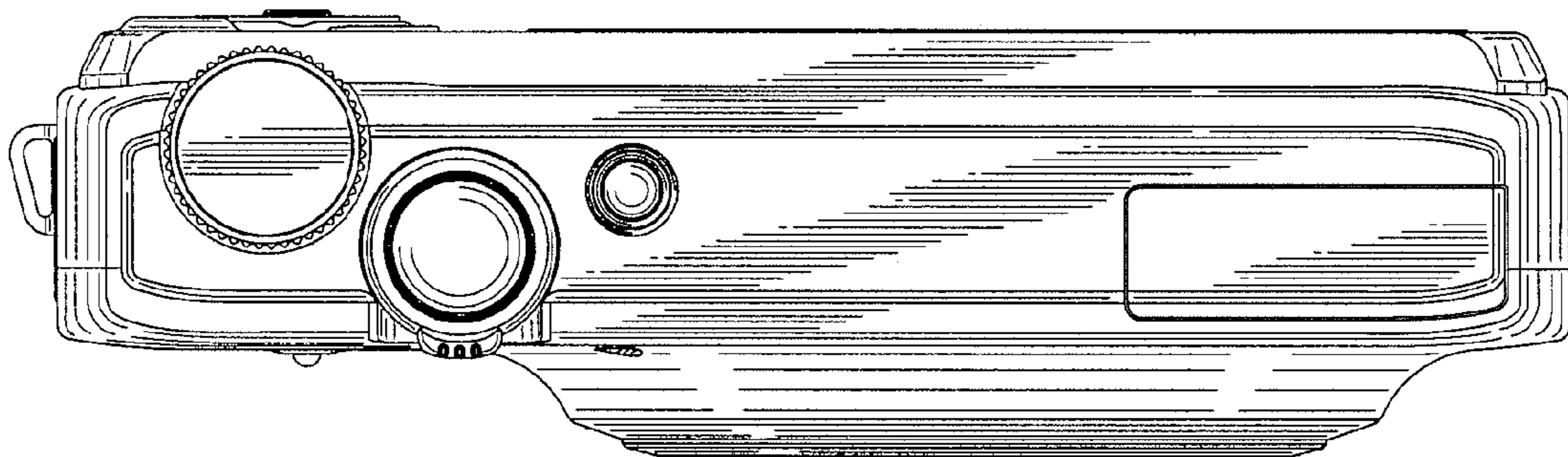
**FIG. 3**



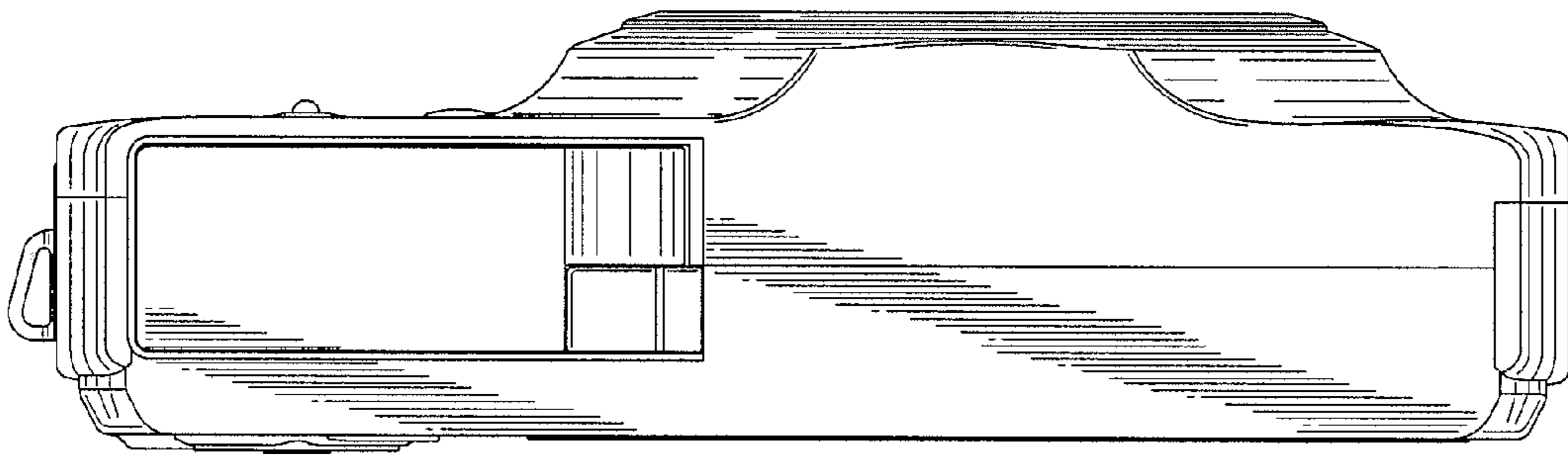
*FIG. 4*



*FIG. 5*



**FIG. 6**



***FIG. 7***





*FIG. 8*

