

US00D695328S

(12) **United States Design Patent**  
**Sul**

(10) **Patent No.:** **US D695,328 S**

(45) **Date of Patent:** **\*\* Dec. 10, 2013**

(54) **DIGITAL CAMERA**

(75) Inventor: **Sung-Woo Sul**, Kyunggi-do (KR)

(73) Assignee: **Samsung Electronics Co., Ltd.**,  
Suwon-Si (KR)

(\*\*) Term: **14 Years**

(21) Appl. No.: **29/423,486**

(22) Filed: **Jun. 1, 2012**

(51) **LOC (9) Cl.** ..... **16-01**

(52) **U.S. Cl.**  
USPC ..... **D16/202**

(58) **Field of Classification Search**  
USPC ..... D16/200, 202, 204, 206, 208, 218;  
348/373-376; 358/909.1; 396/535-541  
See application file for complete search history.

(56) **References Cited**

**U.S. PATENT DOCUMENTS**

D576,650 S *	9/2008	Shibata et al.	.....	D16/202
D585,084 S *	1/2009	Yamamoto et al.	.....	D16/202
D596,214 S *	7/2009	Kim et al.	.....	D16/218

7,646,426 B2 *	1/2010	Saiki et al.	.....	348/373
7,929,859 B2 *	4/2011	Saiki	.....	396/535
D639,841 S *	6/2011	Sul	.....	D16/202
8,014,667 B2 *	9/2011	Saiki	.....	396/535
D650,409 S *	12/2011	Lee	.....	D16/202

\* cited by examiner

*Primary Examiner* — Adir Aronovich

(74) *Attorney, Agent, or Firm* — Ladas & Parry LLP

(57) **CLAIM**

I claim the ornamental design for a digital camera, as shown.

**DESCRIPTION**

FIG. 1 is a top, front, and left-side perspective view of a digital camera showing my new design;  
FIG. 2 is a front elevational view thereof;  
FIG. 3 is a rear elevational view thereof;  
FIG. 4 is a left-side elevational view thereof;  
FIG. 5 is a right-side elevational view thereof;  
FIG. 6 is a top plan view thereof; and,  
FIG. 7 is a bottom plan view thereof.

**1 Claim, 6 Drawing Sheets**

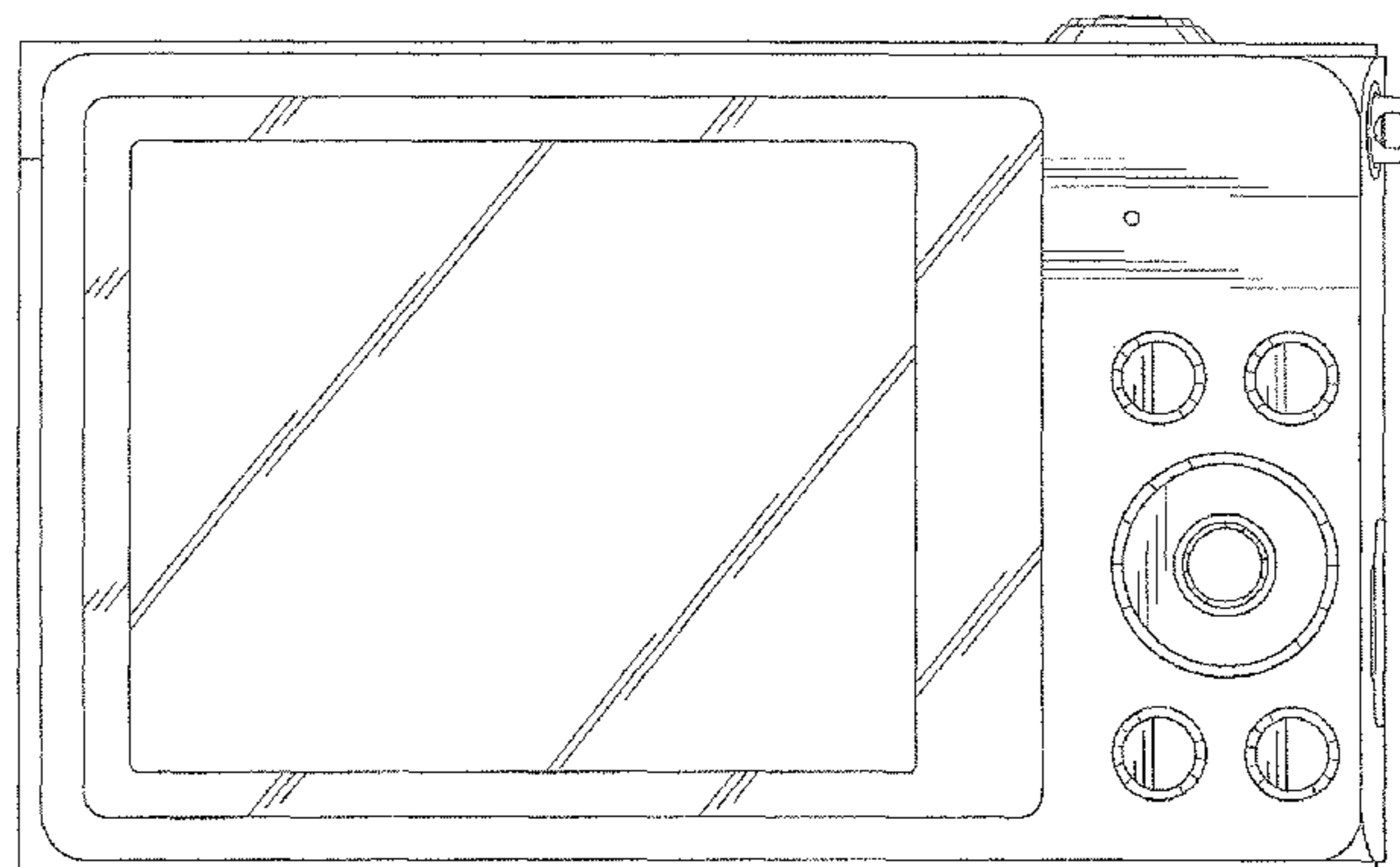
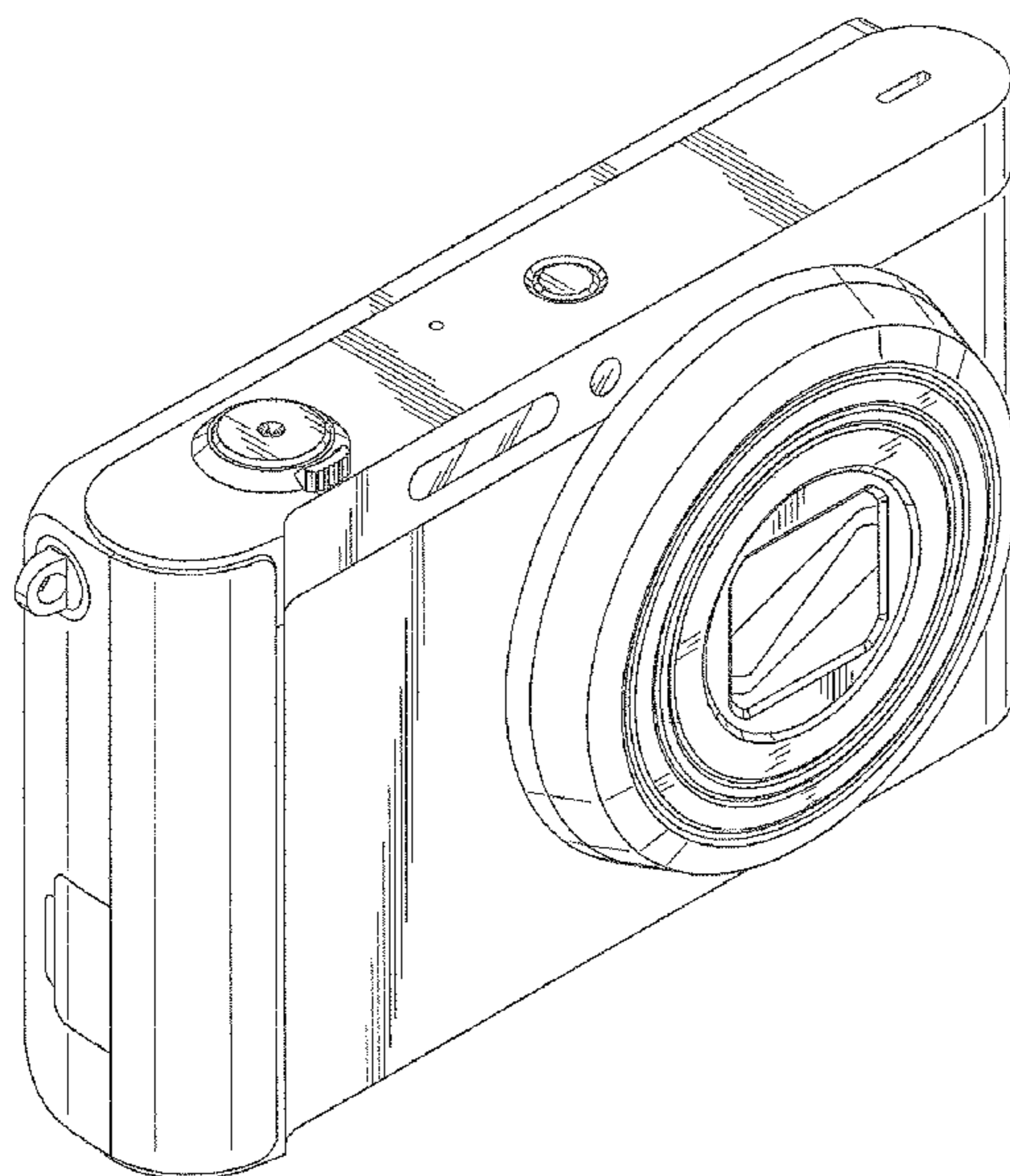


FIG. 1

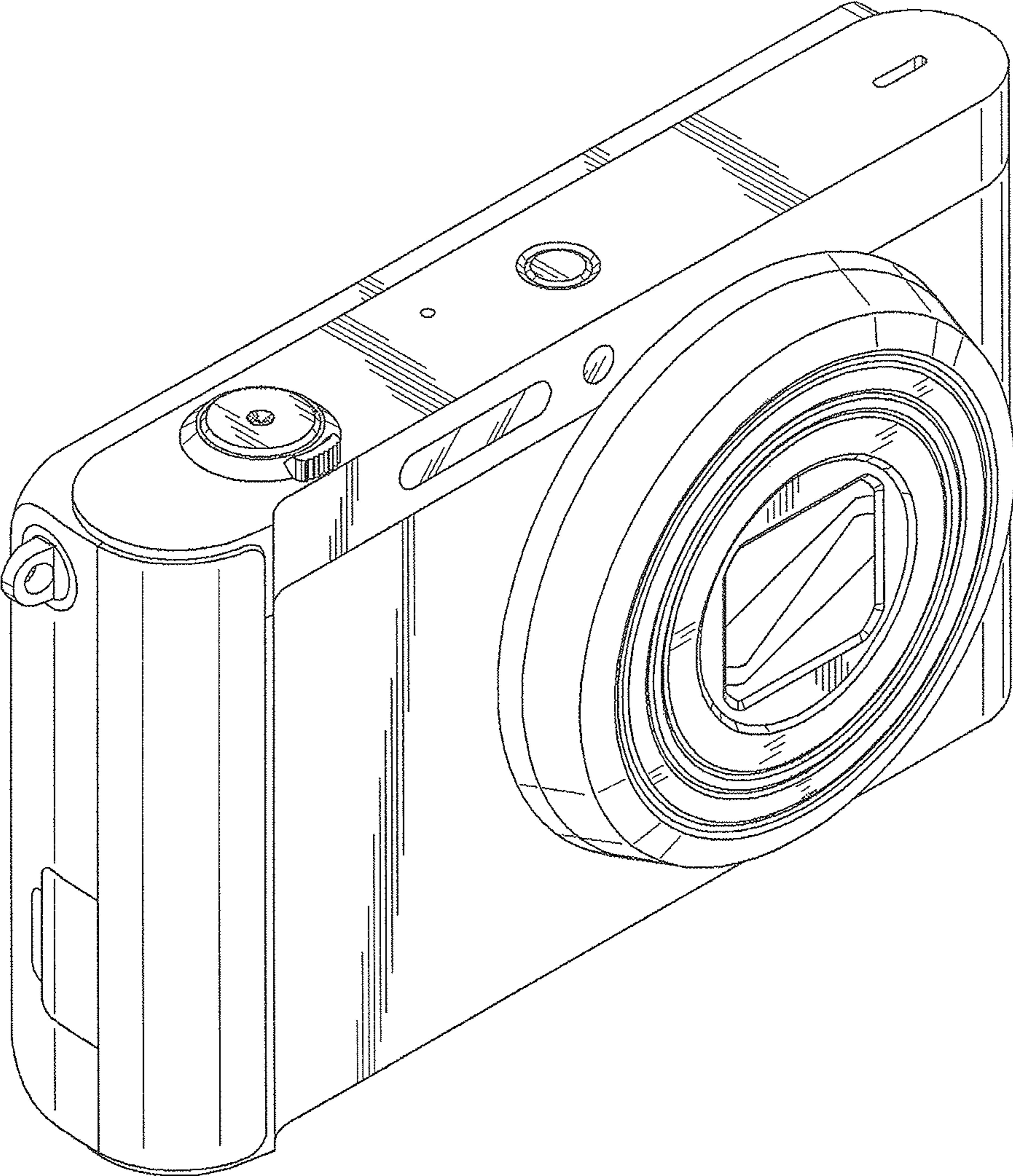


FIG. 2

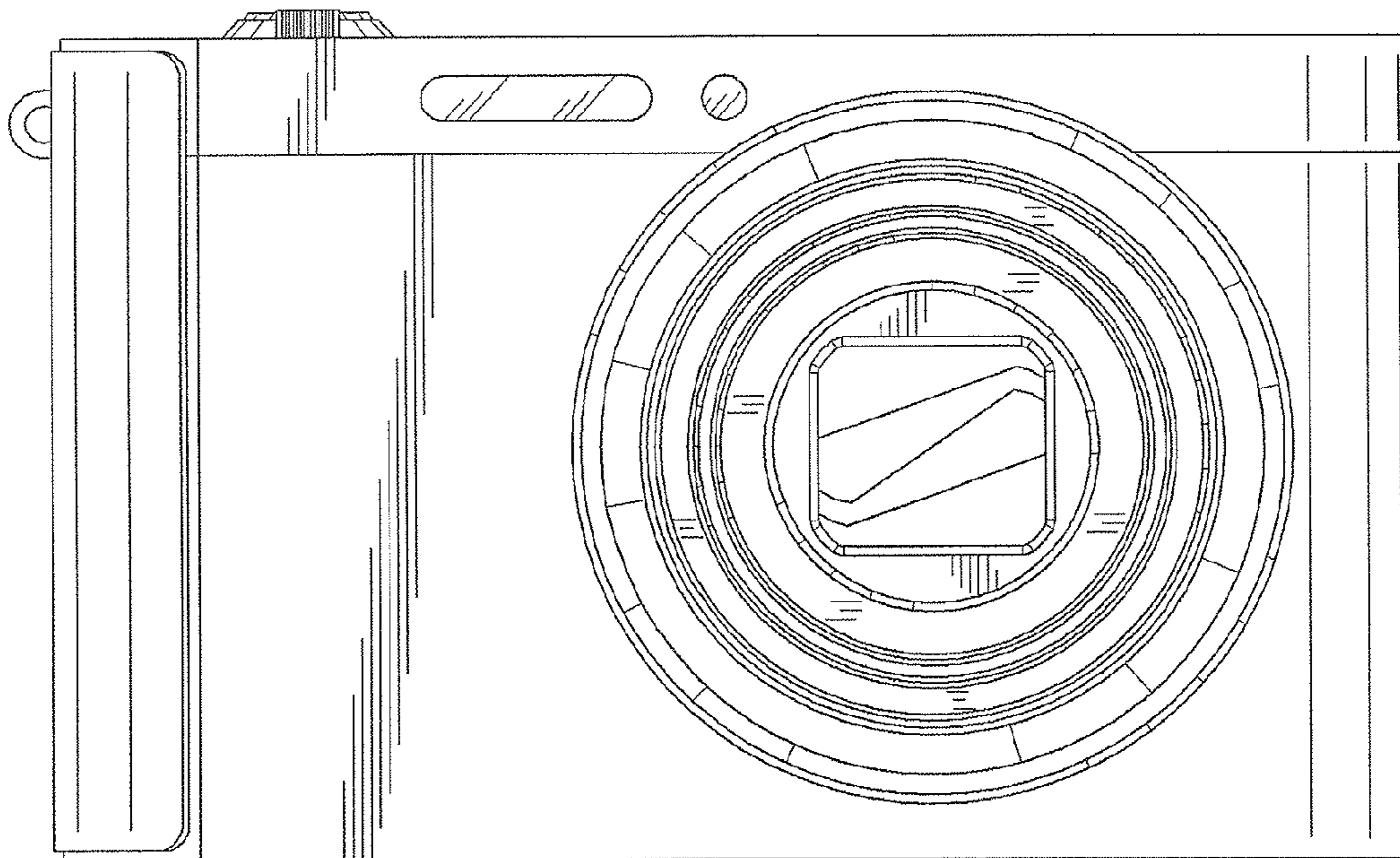


FIG. 3

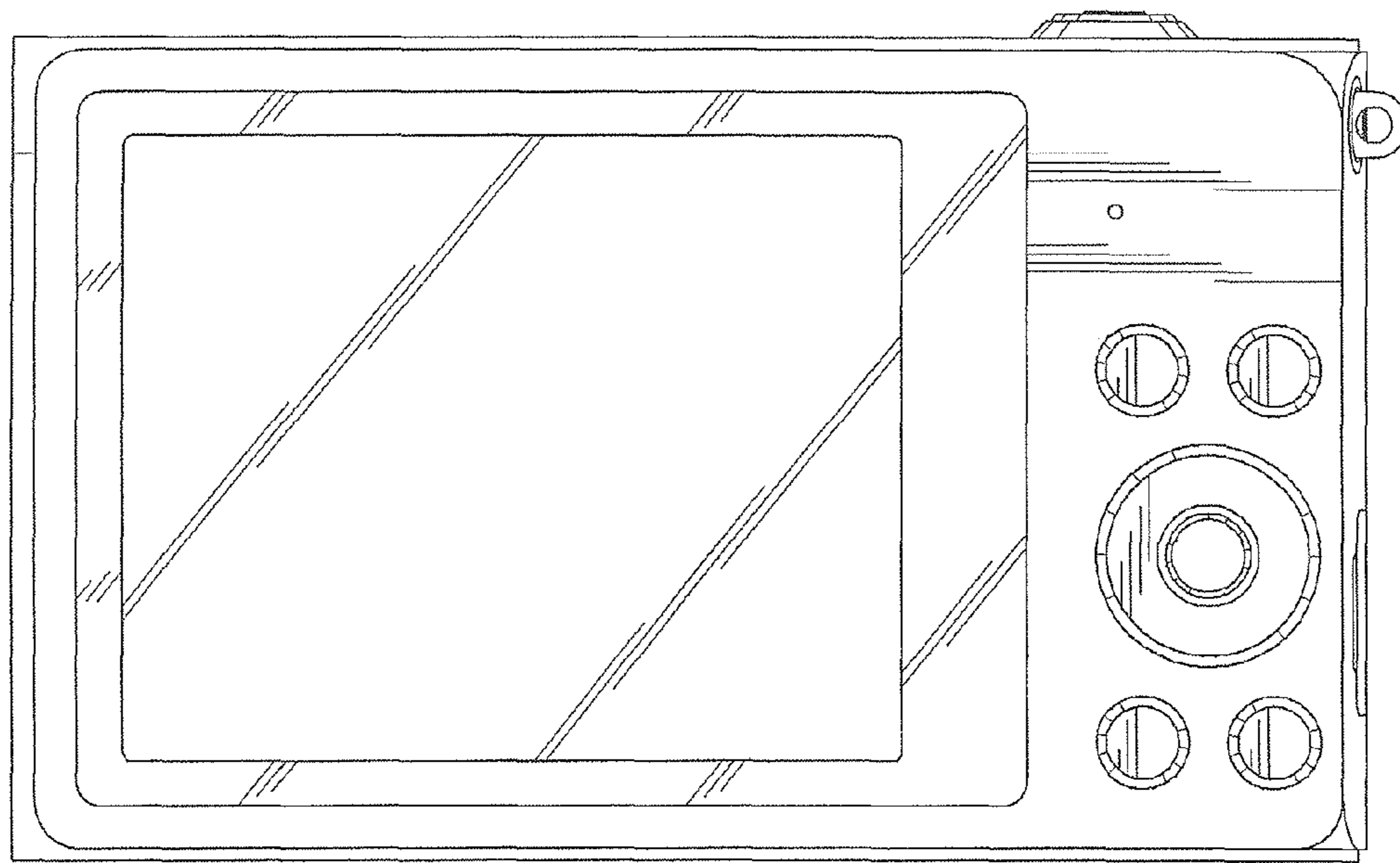


FIG. 4

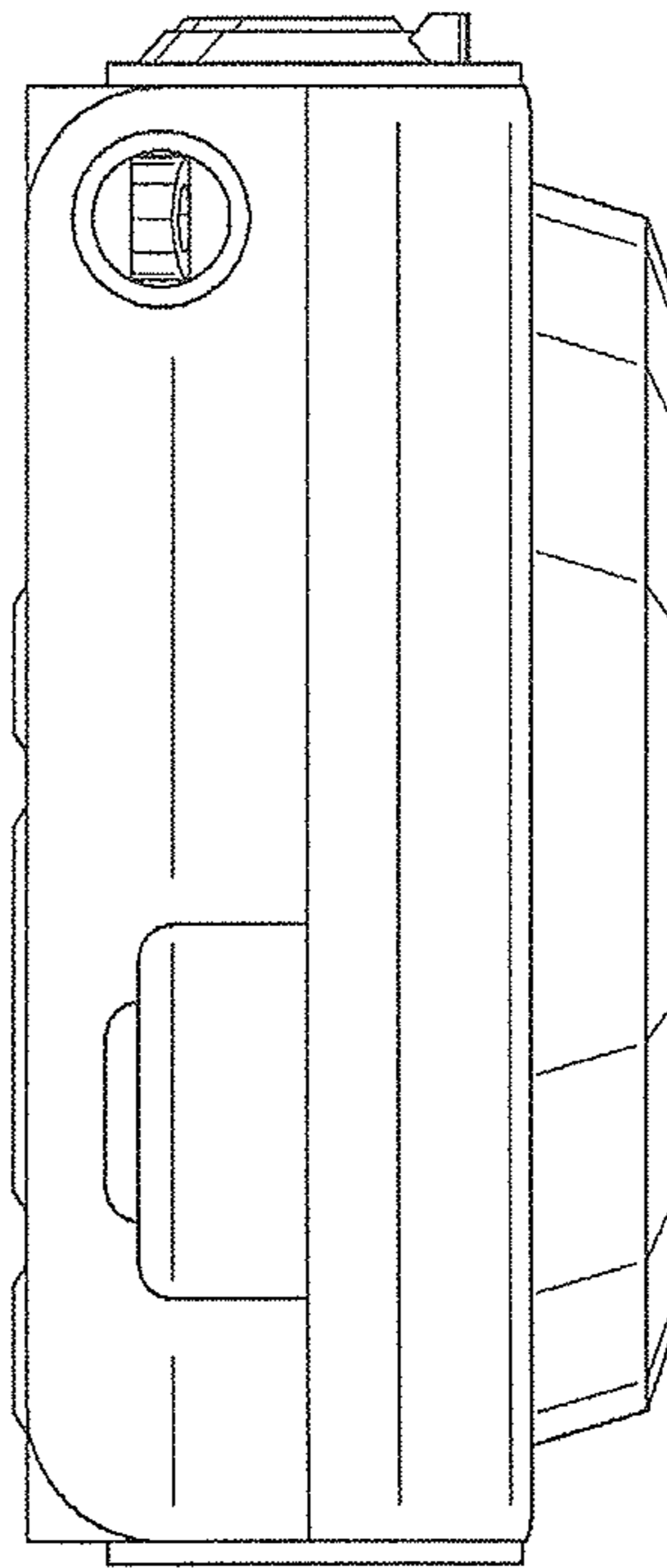


FIG. 5

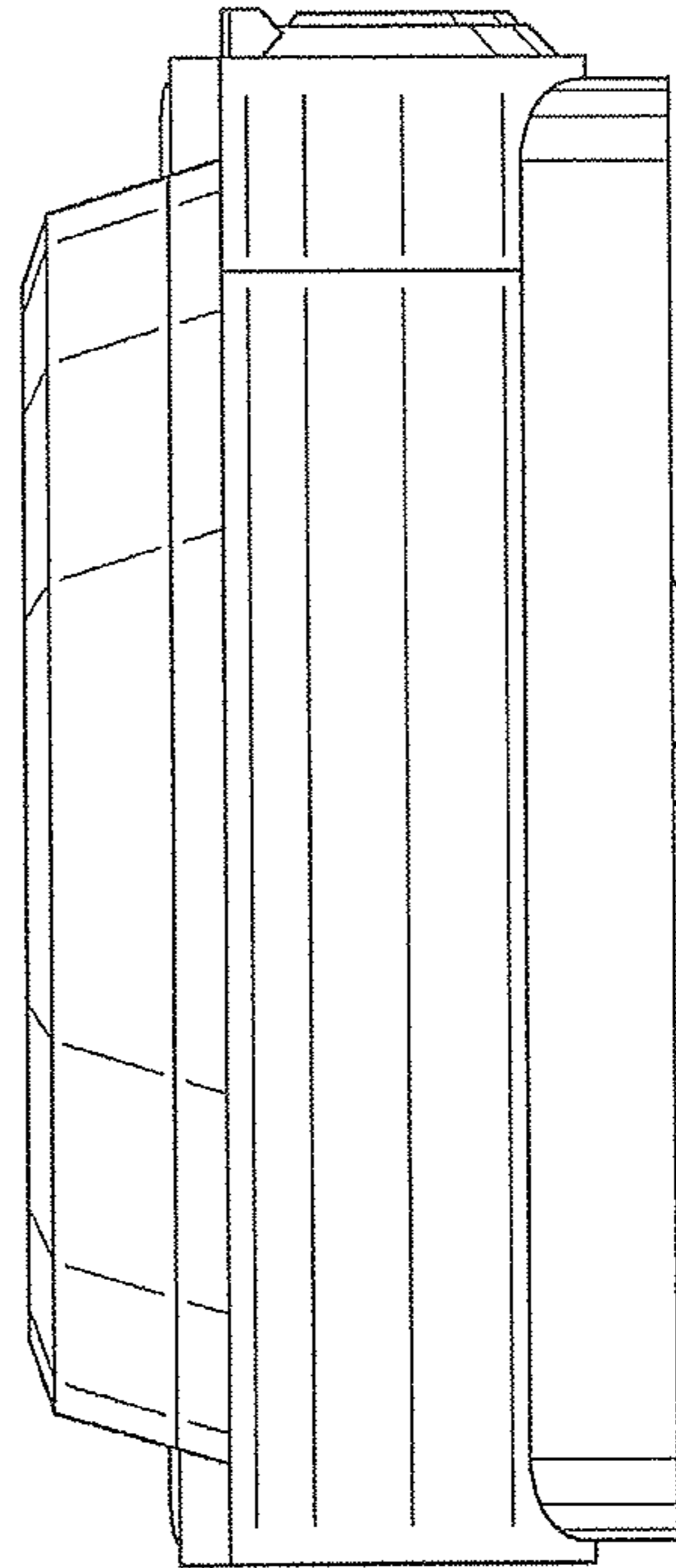


FIG. 6

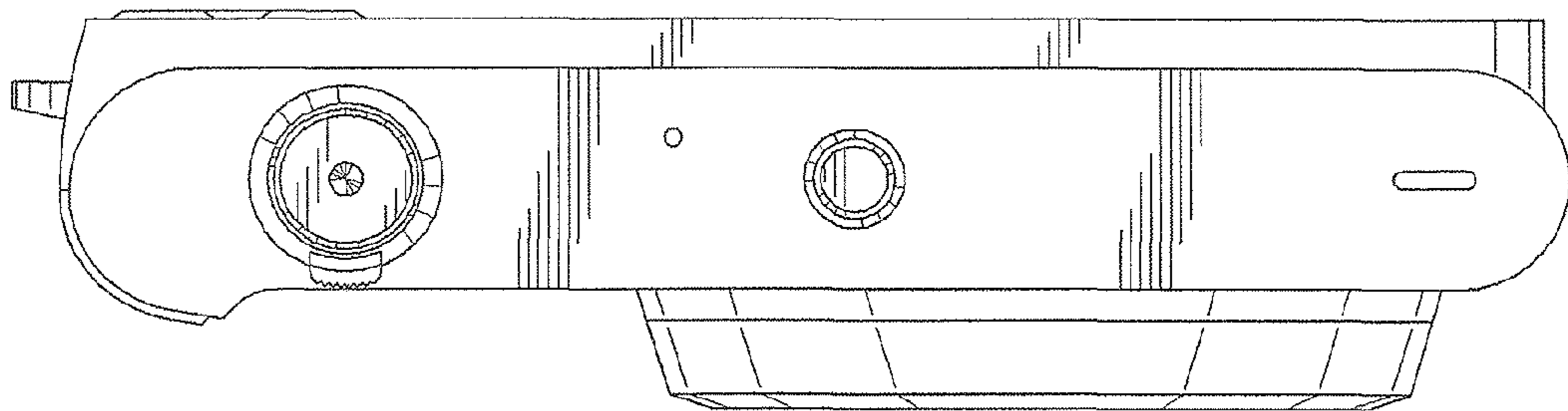


FIG. 7

