



US00D695326S

(12) **United States Design Patent**
Hoelbl

(10) **Patent No.:** **US D695,326 S**

(45) **Date of Patent:** **** Dec. 10, 2013**

(54) **MODULAR TELESCOPE**

(71) Applicant: **Swarovski-Optik KG., Absam (AT)**

(72) Inventor: **Werner Hoelbl, Vienna (AT)**

(73) Assignee: **Swarovski-Optik K.G., Absam (AT)**

(**) Term: **14 Years**

(21) Appl. No.: **29/437,480**

(22) Filed: **Nov. 16, 2012**

(30) **Foreign Application Priority Data**

Jun. 4, 2012 (EM) 002051961-0017

(51) **LOC (9) Cl.** **16-06**

(52) **U.S. Cl.**
USPC **D16/132**

(58) **Field of Classification Search**

USPC D16/132, 203; 33/1 SC; D21/483, 403,
D21/514; 359/353, 382, 383, 384, 399, 405,
359/407, 412, 422, 428, 617, 827, 426, 513,
359/350, 351, 400, 819, 530

See application file for complete search history.

(56) **References Cited**

U.S. PATENT DOCUMENTS

D96,664	S	*	8/1935	Hageman	D16/132
2,051,050	A	*	8/1936	Langsner	359/426
D123,486	S	*	11/1940	Miles	D16/132
D159,719	S	*	8/1950	Davidson	D16/132
D165,231	S	*	11/1951	Kieffer	D16/132
2,610,545	A	*	9/1952	Davidson	359/827
D215,355	S	*	9/1969	Weatherby	D16/132
D219,623	S	*	12/1970	Bushnell	D16/132
D247,625	S	*	3/1978	Huckenbeck	D16/132
D272,916	S	*	3/1984	Tomatsuri et al.	D16/132
D285,698	S	*	9/1986	Ogasawara	D16/132
D285,802	S	*	9/1986	Ogasawara	D16/132

D288,210	S	*	2/1987	Mise	D16/132
D300,039	S	*	2/1989	Huckenbeck	D16/132
D374,021	S	*	9/1996	Meinzer	D16/132
D390,580	S	*	2/1998	Ogasawara et al.	D16/132
5,946,132	A	*	8/1999	Phillips	359/351
D439,259	S	*	3/2001	Yamaguchi	D16/132
D454,144	S	*	3/2002	Ogasawara et al.	D16/132
D454,898	S	*	3/2002	Ogasawara et al.	D16/132
D479,255	S	*	9/2003	Hamamura	D16/132
D482,709	S	*	11/2003	Meinzer	D16/132
D490,097	S	*	5/2004	Regan et al.	D16/132
D512,449	S	*	12/2005	Regan et al.	D16/132
D534,193	S	*	12/2006	Ono	D16/132
D550,263	S	*	9/2007	Zhou	D16/132
D572,740	S	*	7/2008	Kitera	D16/132
D587,290	S	*	2/2009	Meinzer	D16/132
D594,493	S	*	6/2009	Chujo et al.	D16/132
D594,494	S	*	6/2009	Chujo et al.	D16/132
D595,754	S	*	7/2009	Hamilton	D16/132
D675,239	S	*	1/2013	Wunnicke et al.	D16/132
D676,886	S	*	2/2013	Hoshi	D16/132
D685,832	S	*	7/2013	Wunnicke et al.	D16/132
D686,264	S	*	7/2013	Hoshi	D16/132
8,509,185	B2	*	8/2013	Haddad	370/331

* cited by examiner

Primary Examiner — Paula Greene

(74) *Attorney, Agent, or Firm* — Collard & Roe, P.C.

(57) **CLAIM**

The ornamental design for a modular telescope, as shown and described.

DESCRIPTION

FIG. 1 is a top view of a modular telescope showing my new design;

FIG. 2 is a side view thereof;

FIG. 3 is an opposite side view thereof;

FIG. 4 is a bottom view thereof;

FIG. 5 is a front end view thereof;

FIG. 6 is a rear end view thereof; and,

FIG. 7 is a top, rear and side perspective view thereof.

1 Claim, 6 Drawing Sheets

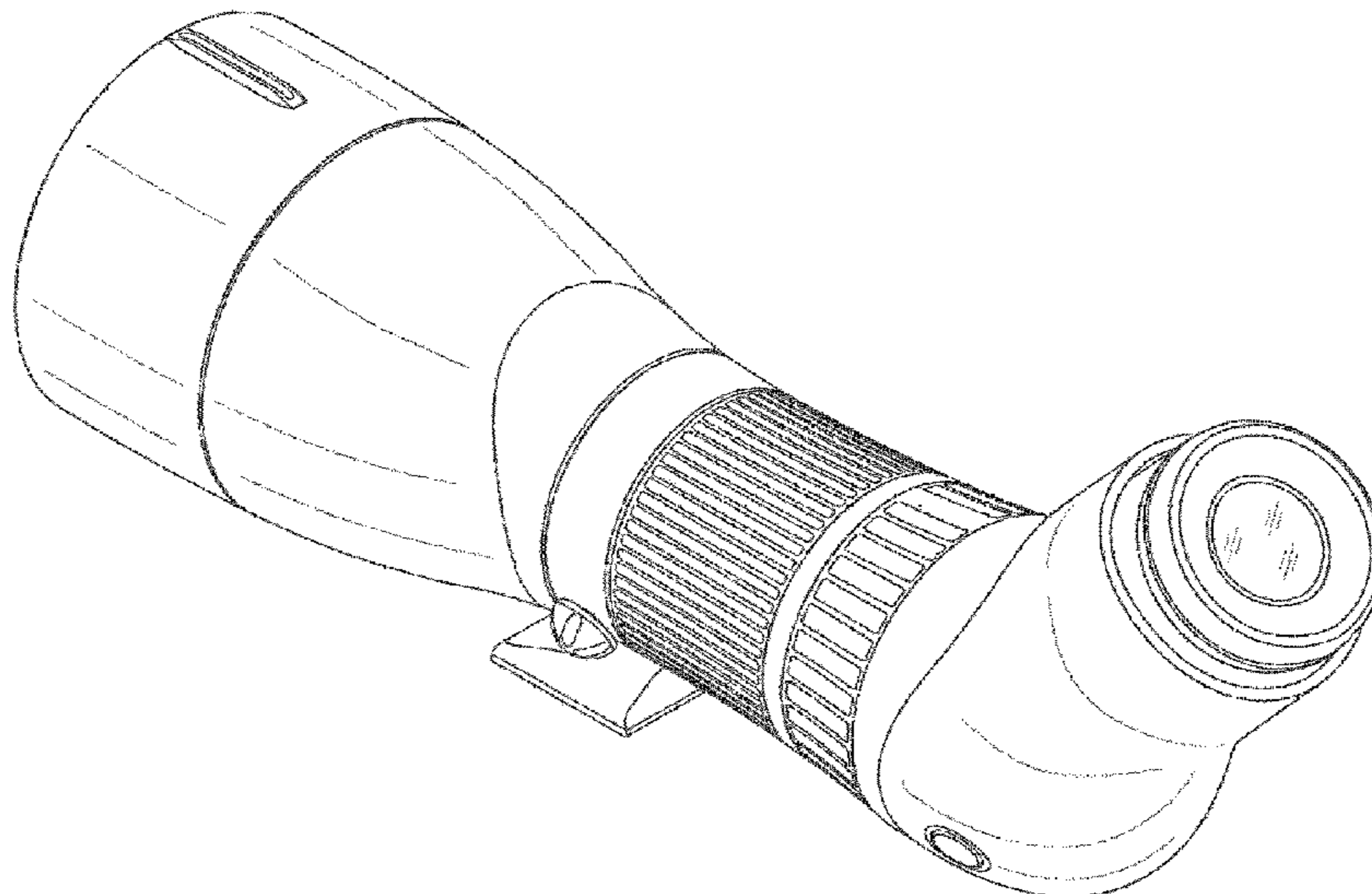


FIG. 1

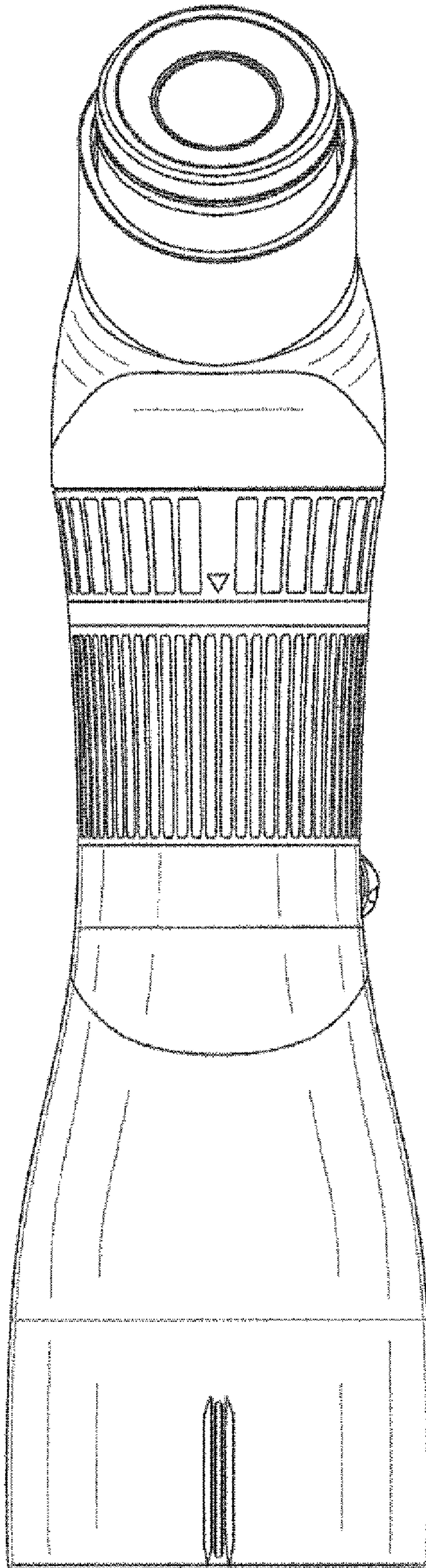


FIG. 2

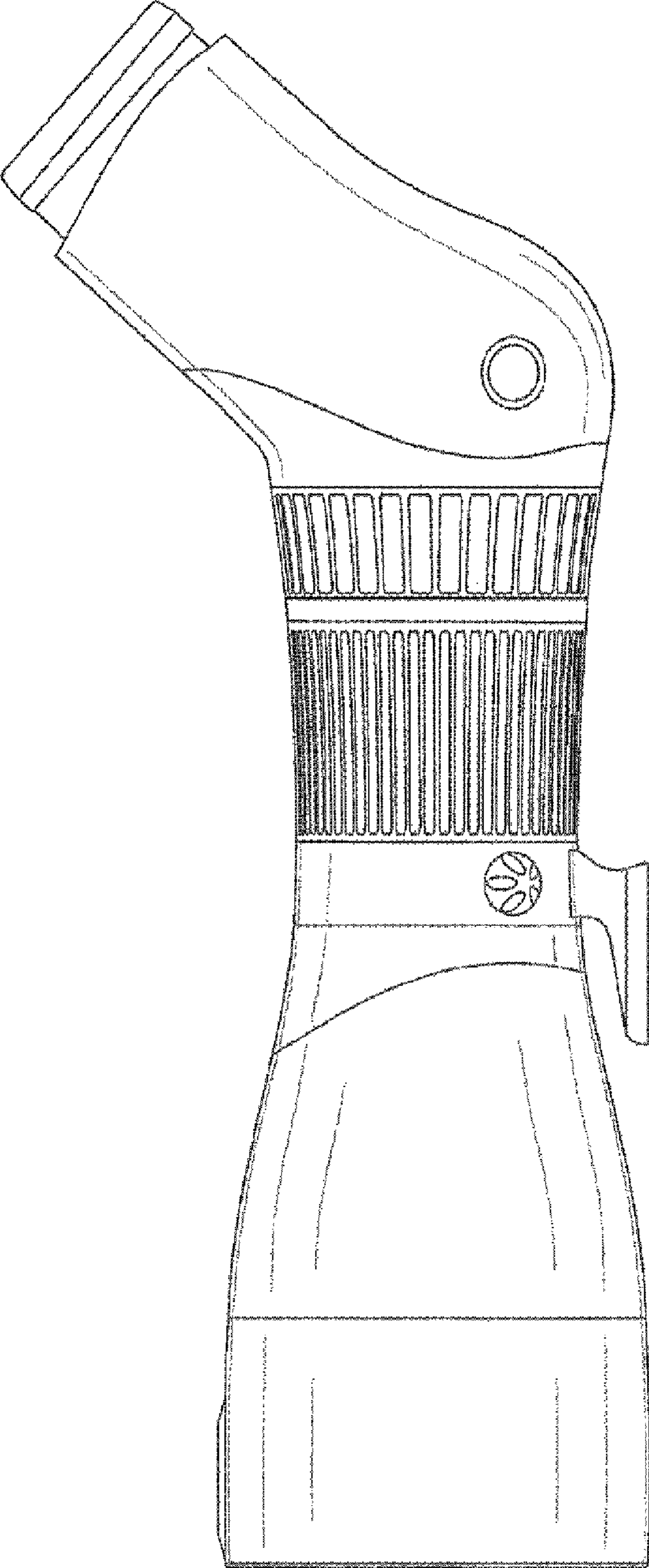


FIG. 3

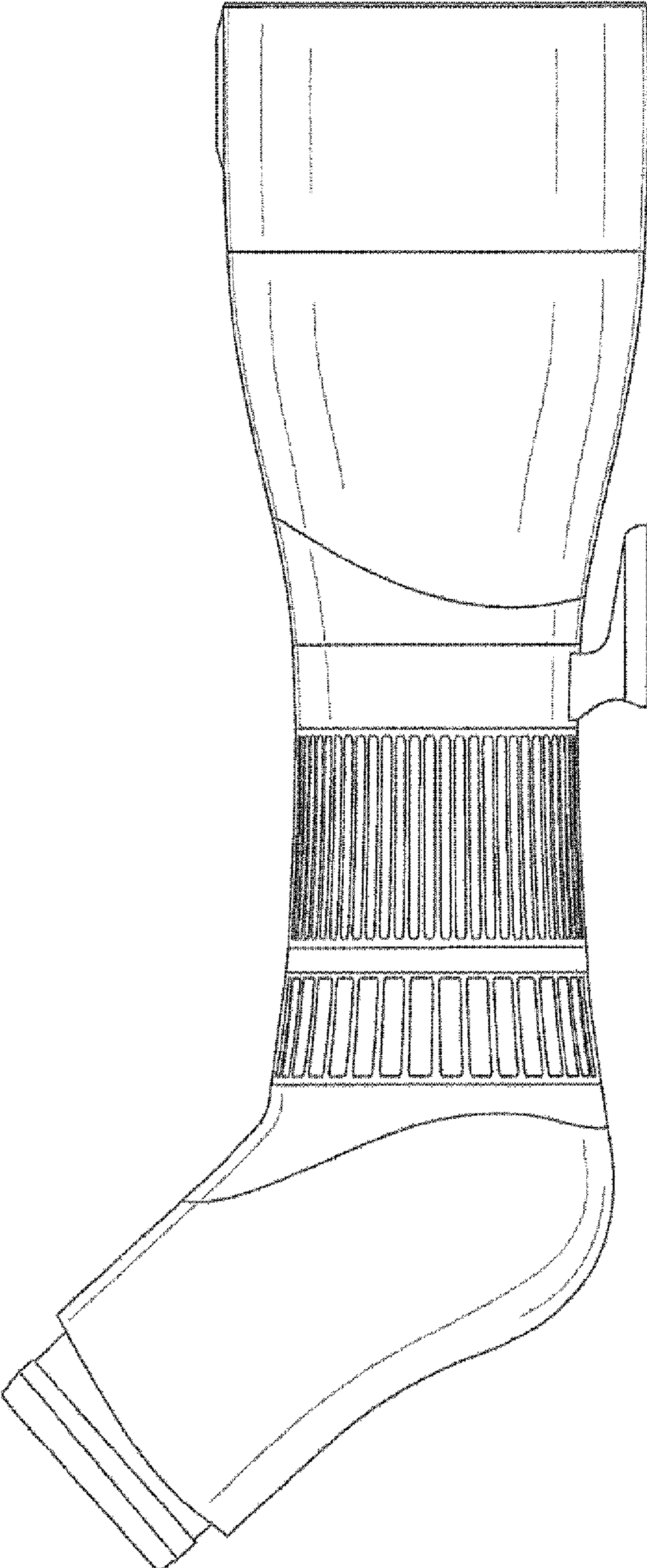
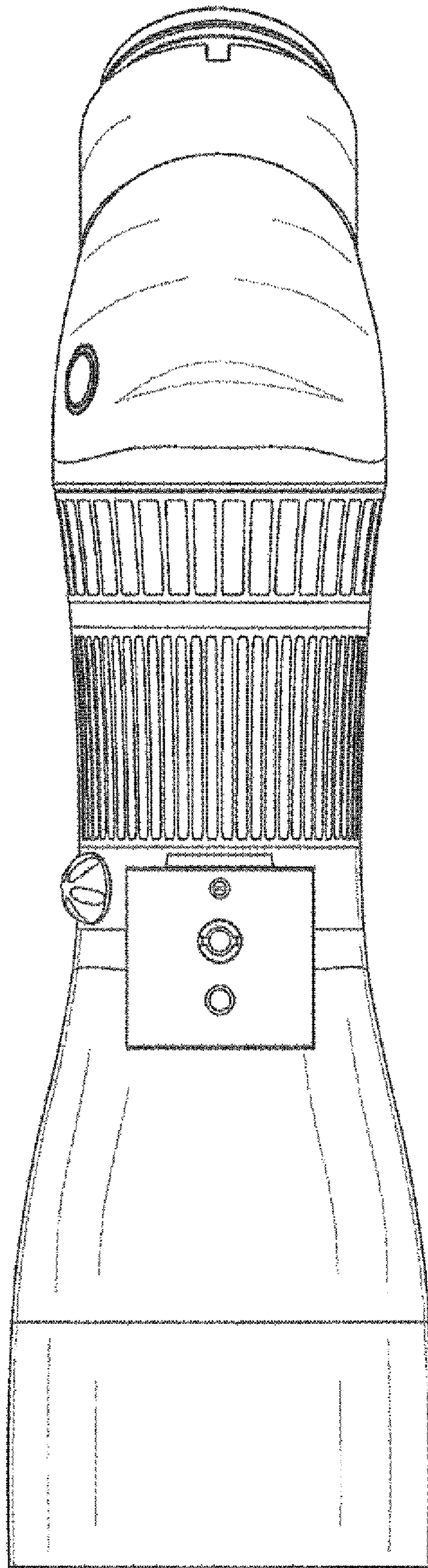


FIG. 4



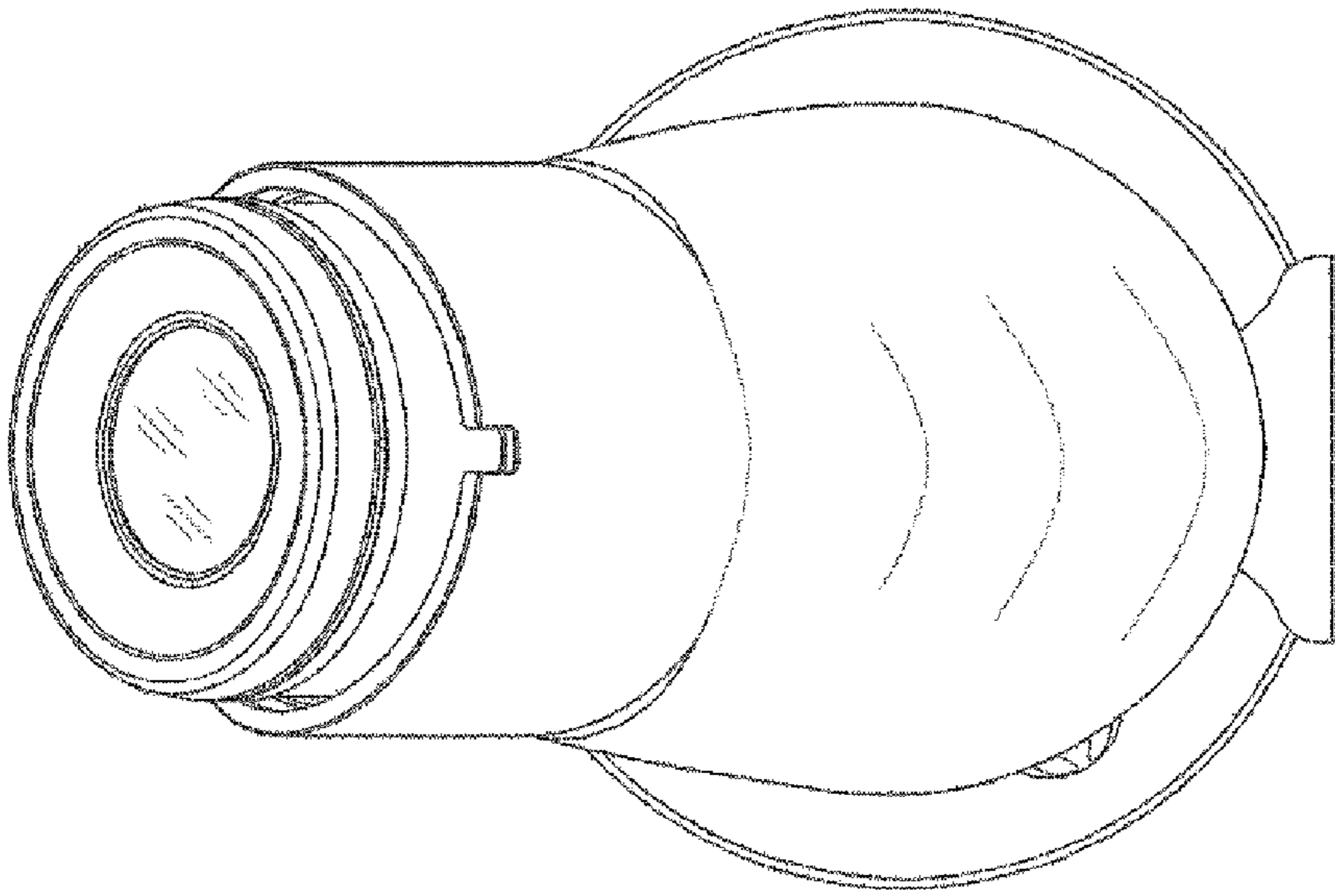


FIG. 6

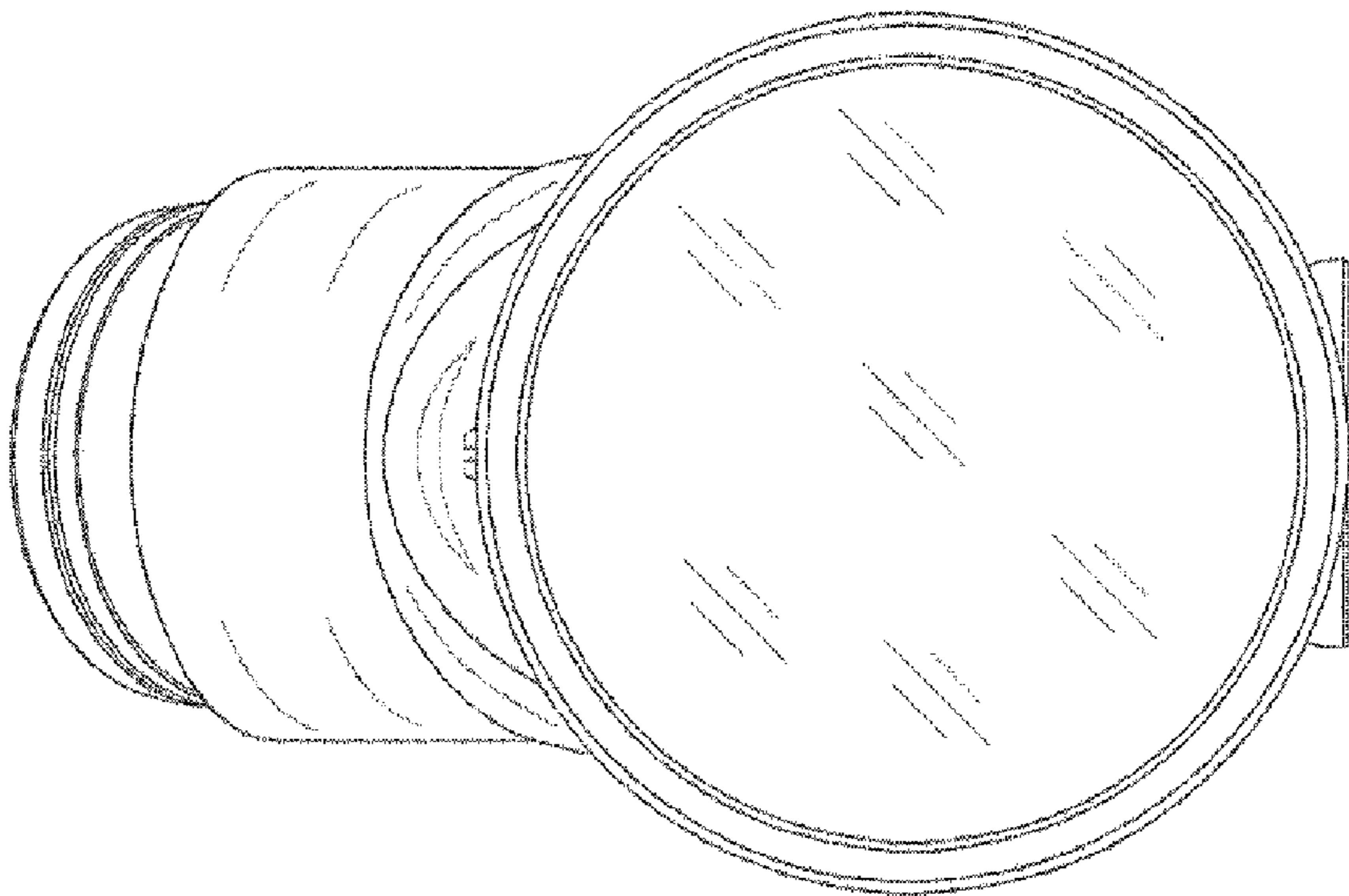


FIG. 5

FIG. 7

