



US00D695324S

(12) **United States Design Patent**  
**Ballweg**

(10) **Patent No.:** **US D695,324 S**

(45) **Date of Patent:** **\*\* Dec. 10, 2013**

(54) **MIXING MACHINE**

(75) Inventor: **Johannes Ballweg**,  
Hardheim-Schweinberg (DE)

(73) Assignee: **Maschinenfabrik Gustav Eirich**  
**GmbH & Co. KG**, Hardheim (DE)

(\*\*) Term: **14 Years**

(21) Appl. No.: **29/409,198**

(22) Filed: **Dec. 21, 2011**

(30) **Foreign Application Priority Data**

Jul. 7, 2011 (EM) ..... 001888116

(51) **LOC (9) Cl.** ..... **15-09**

(52) **U.S. Cl.**  
USPC ..... **D15/122**

(58) **Field of Classification Search**  
USPC ..... D7/376, 384; D15/135, 136, 137, 199;  
277/26 R, 95; 366/47, 48, 57, 60, 63,  
366/65, 76.7, 143, 149, 168.1, 181.3, 185,  
366/192, 193, 217, 219, 228, 232, 241-260,  
366/309, 326.1, 601, 604, 605  
See application file for complete search history.

(56) **References Cited**

**U.S. PATENT DOCUMENTS**

D213,917 S \* 4/1969 Peterson ..... D15/147  
D258,213 S \* 2/1981 Lydford ..... D15/147  
D264,218 S \* 5/1982 Neuner et al. .... D15/147  
4,568,194 A \* 2/1986 Gargioni ..... 366/213  
4,842,415 A \* 6/1989 Cane et al. .... 366/110  
D347,645 S \* 6/1994 Miller ..... D15/147  
5,383,163 A \* 1/1995 Brunn ..... 366/217  
D374,677 S \* 10/1996 Hodson et al. .... D15/147  
D393,476 S \* 4/1998 Lodige ..... D15/147  
5,906,433 A \* 5/1999 Mazzalveri ..... 366/209  
D426,422 S \* 6/2000 Otto ..... D7/384

D448,966 S \* 10/2001 Hsieh ..... D7/376  
D473,420 S \* 4/2003 Lo et al. .... D7/376  
D477,331 S \* 7/2003 Tsai ..... D15/19  
D527,943 S \* 9/2006 Feil ..... D7/384  
D543,551 S \* 5/2007 Blencowe ..... D14/486  
D555,420 S \* 11/2007 Voss ..... D7/376

(Continued)

**OTHER PUBLICATIONS**

Mixing Technology, Eirich Intensive Mixer, Type R01,  
Maschinenfabrik Gustav Eirich GmbH & Co KG., two (2) pages,  
leaflet No. MR 1452-3-EN, www.eirich.com, Germany. Relevance is  
in the illustrations.

(Continued)

*Primary Examiner* — Patricia Palasik  
(74) *Attorney, Agent, or Firm* — Paul & Paul

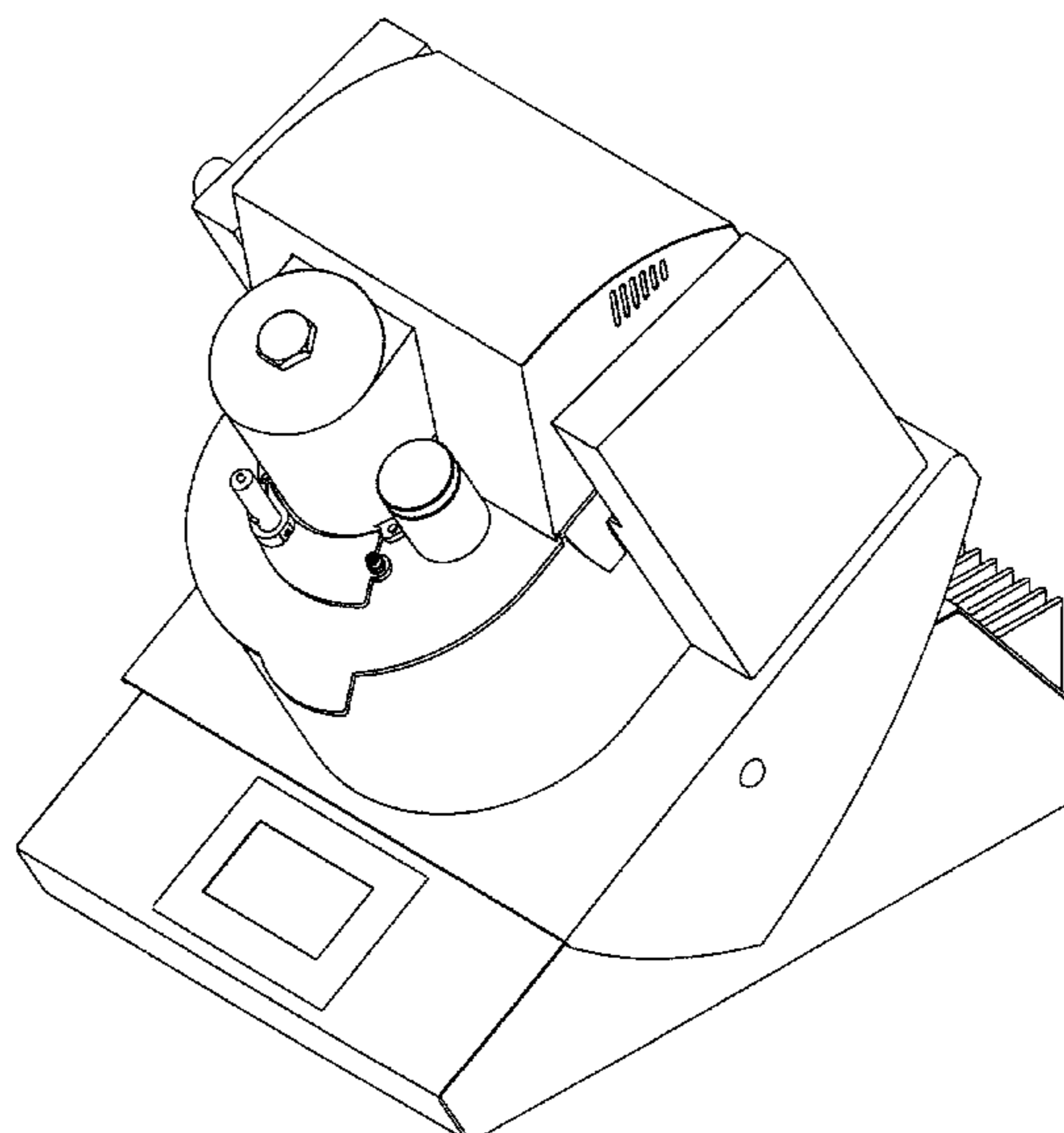
(57) **CLAIM**

The ornamental design for a mixing machine, as shown and  
described.

**DESCRIPTION**

FIG. 1 is a top, front and right side perspective view of the  
mixing machine of my new design.  
FIG. 2 is a front elevational view of the mixing machine of  
FIG. 1.  
FIG. 3 is a right side elevational view of the mixing machine  
of FIG. 1.  
FIG. 4 is a left side elevational view of the mixing machine of  
FIG. 1.  
FIG. 5 is a rear elevational view of the mixing machine of  
FIG. 1.  
FIG. 6 is a top plan view of the mixing machine of FIG. 1; and,  
FIG. 7 is a bottom view of the mixing machine of FIG. 1.  
The broken lines in the drawings depict unclaimed environ-  
mental subject matter.

**1 Claim, 7 Drawing Sheets**



(56)

**References Cited**

U.S. PATENT DOCUMENTS

D583,398 S \* 12/2008 Seiler ..... D15/147  
D598,479 S \* 8/2009 Seiler ..... D15/147  
D662,117 S \* 6/2012 Dorbath ..... D15/147  
2008/0096214 A1 \* 4/2008 Ammann et al. .... 435/6

OTHER PUBLICATIONS

Mixing Technology, Eirich Intensive Mixer, Type R02,  
Maschinenfabrik Gustav Eirich GmbH & Co KG., two (2) pages,

leaflet No. MR 1834-0-en, www.eirich.com, Germany. Relevance is  
in the illustrations.

Gebr., Ruberg GmbH & Co. KG, Gebr. Ruberg, two pages (2),  
www.g-ruberg.de, Germany. Relevance is in the illustrations.

Lancaster Products, Lancaster K-Lab High Shear Mixer, two pages  
(2), www.lancasterproducts.com, USA.

Labmix, Mixing in Laboratory and product development, Allround  
Mixer, two pages (2), www.Glass-Maschinen.de, Germany. Rel-  
evance is in the illustrations.

\* cited by examiner

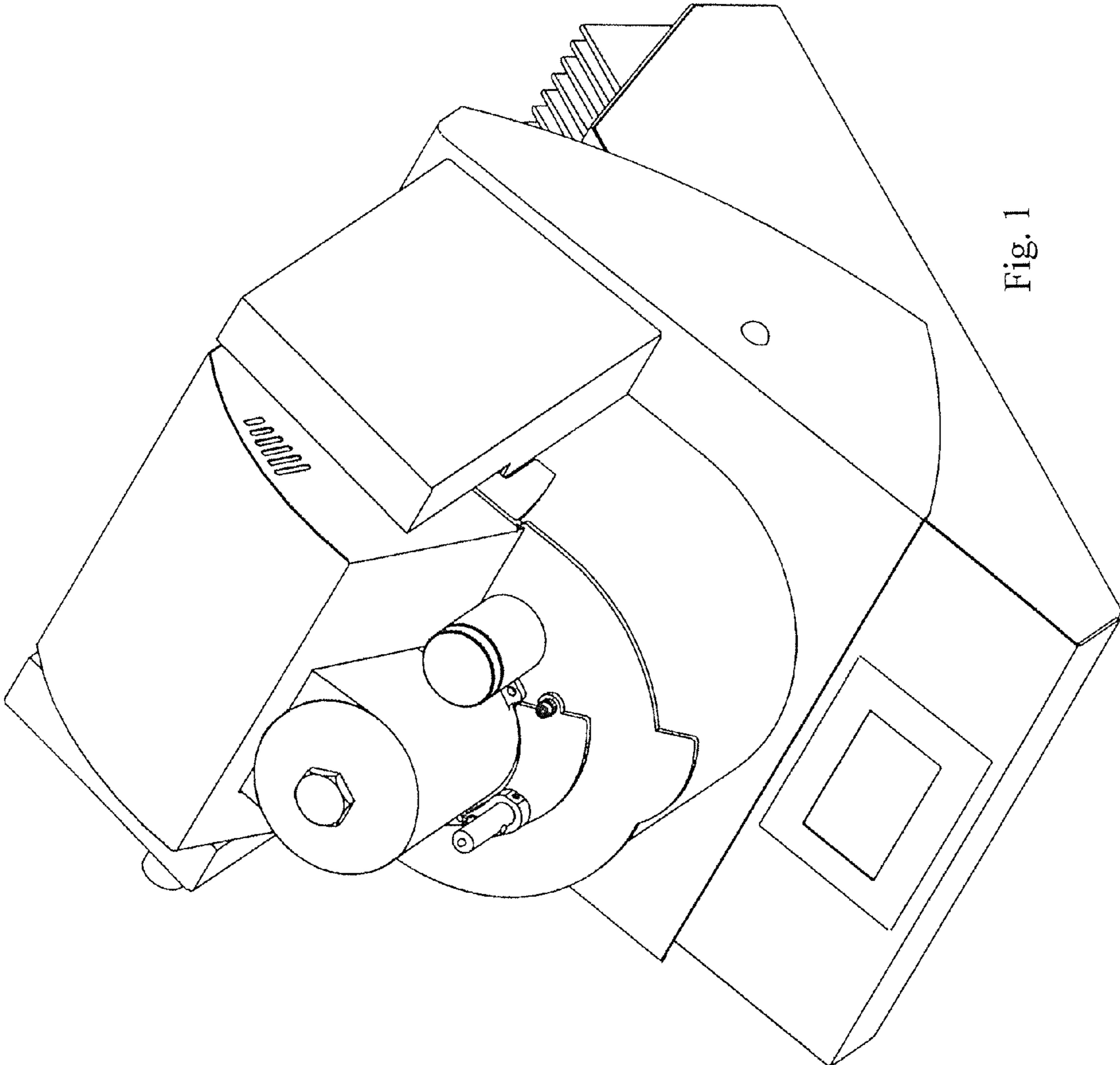


Fig. 1

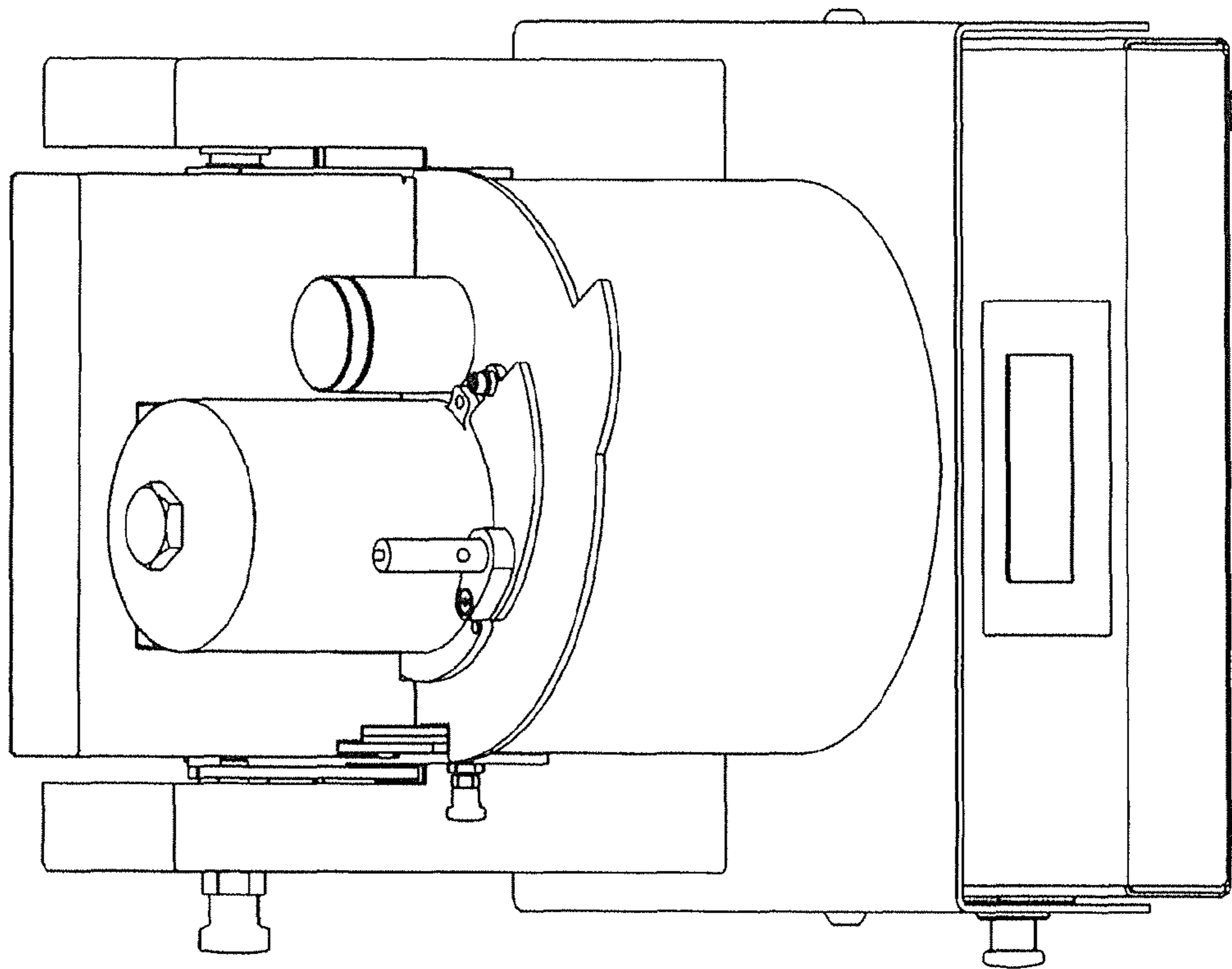


Fig. 2

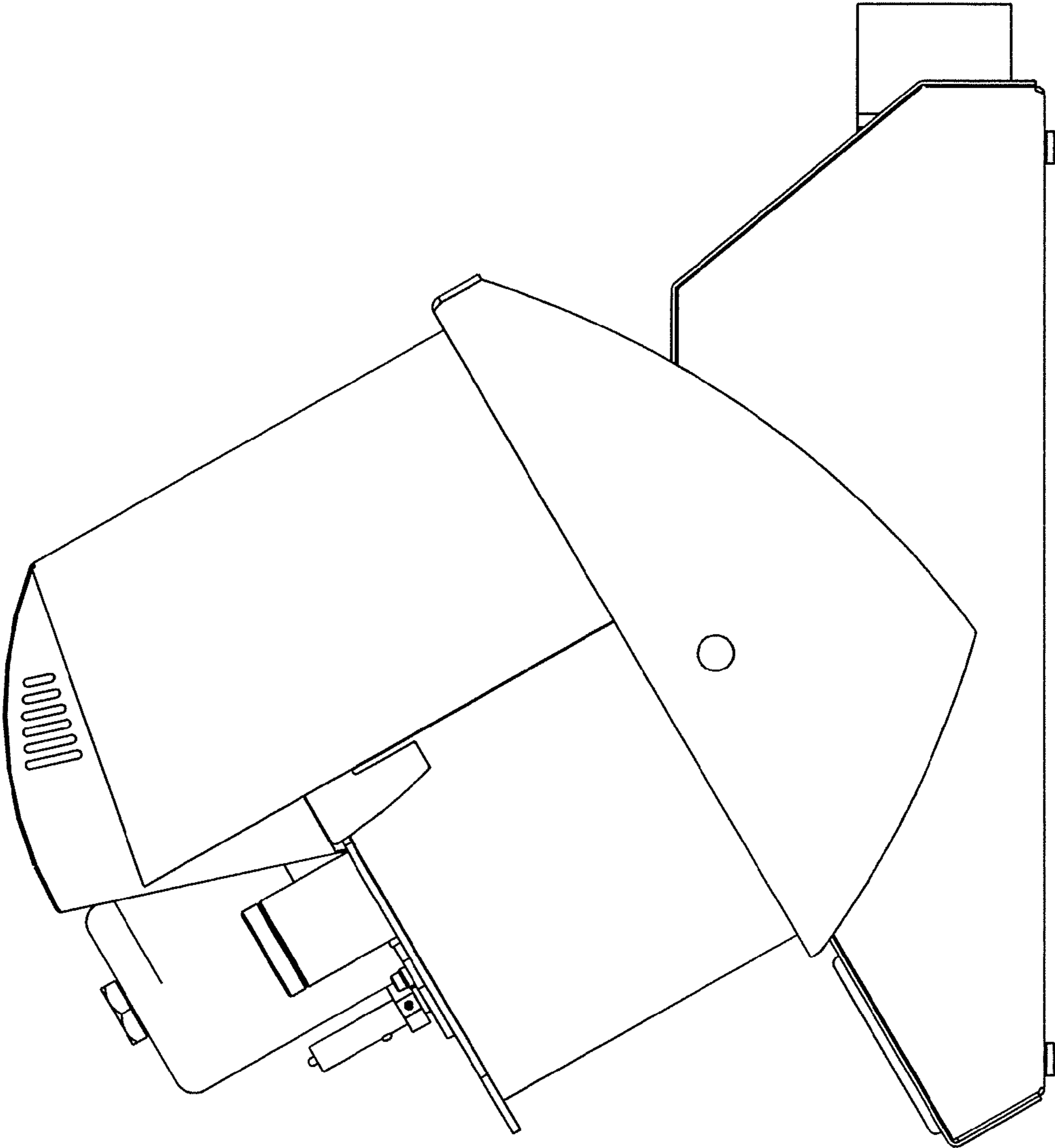


Fig. 3

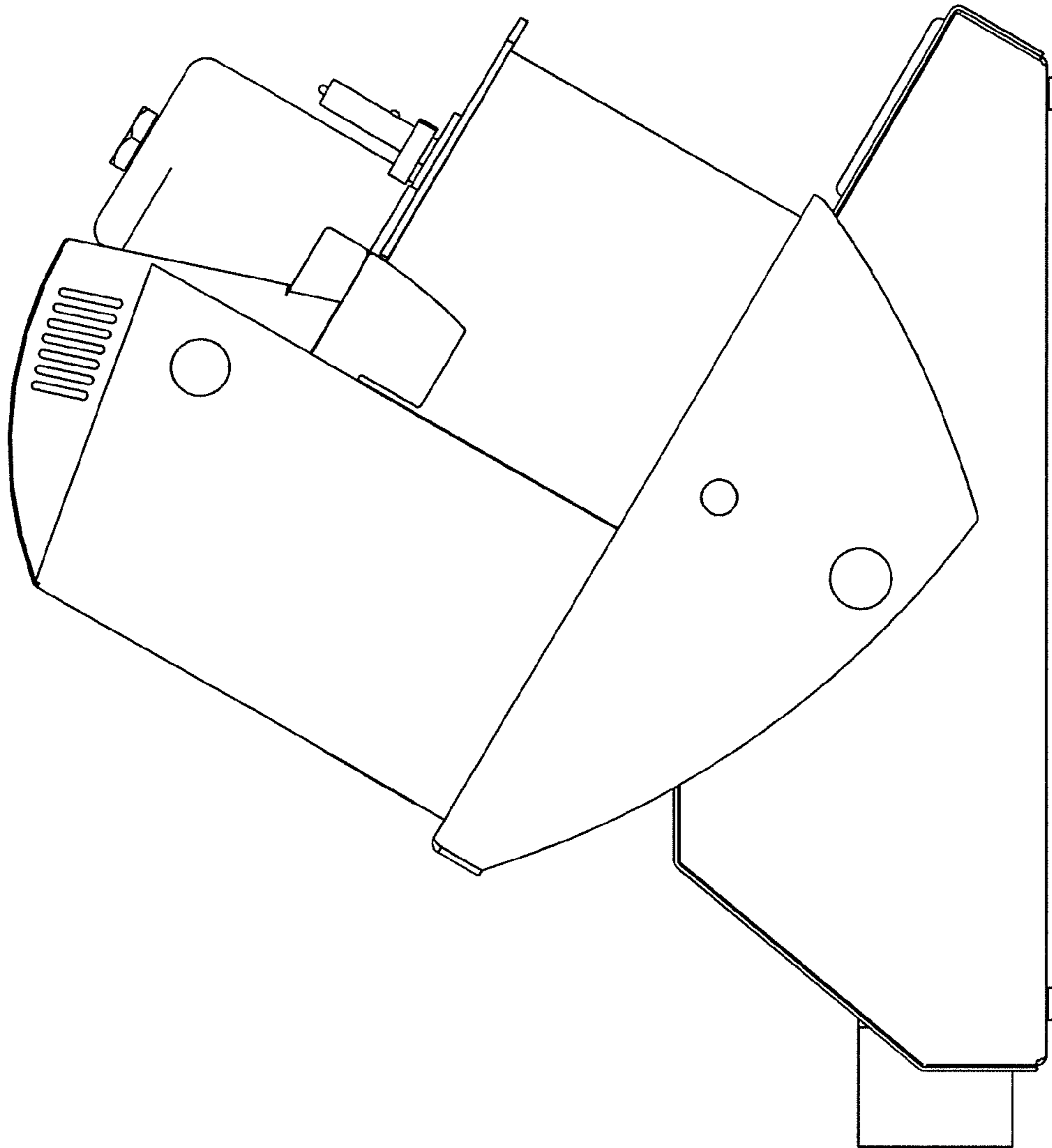


Fig. 4

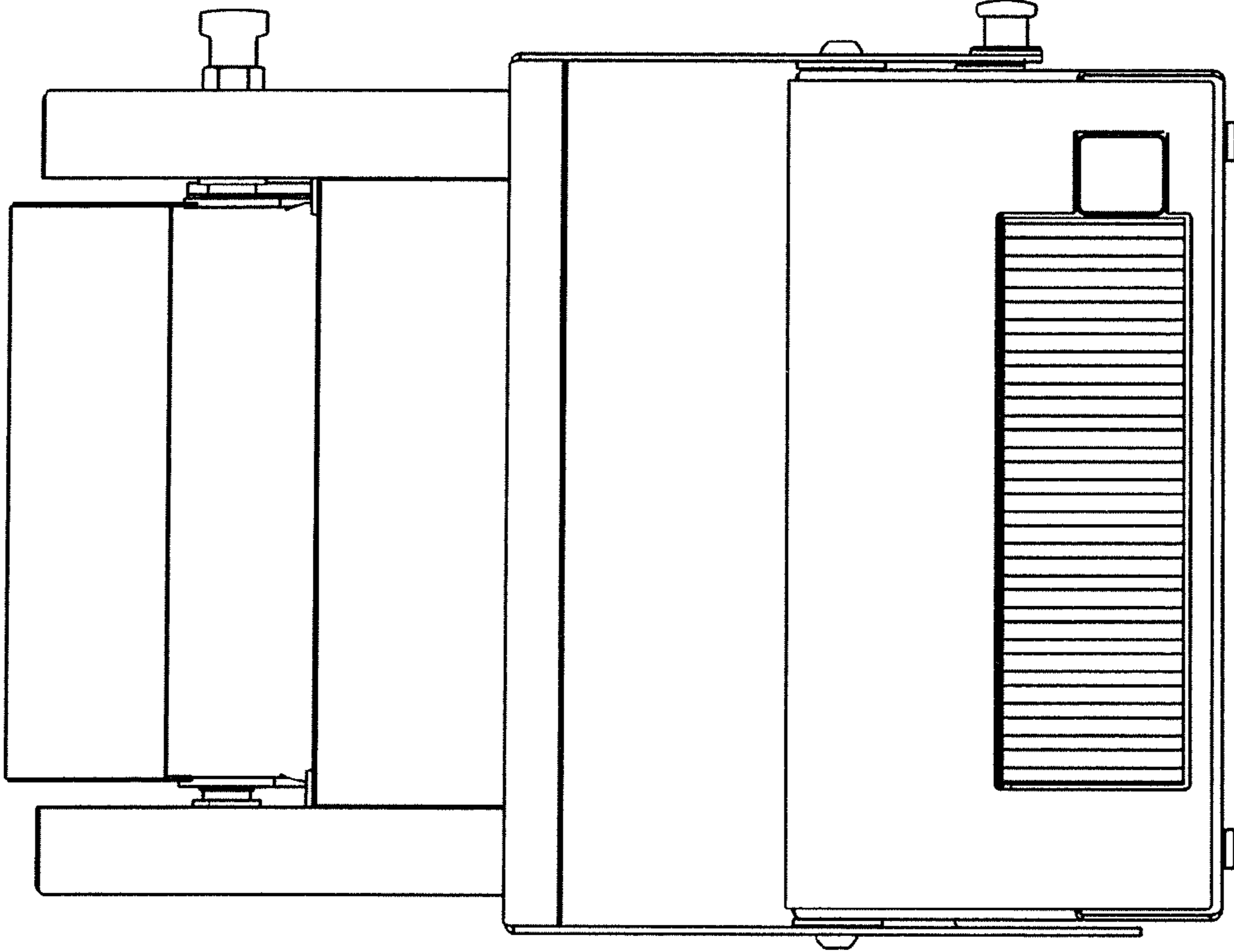


Fig. 5

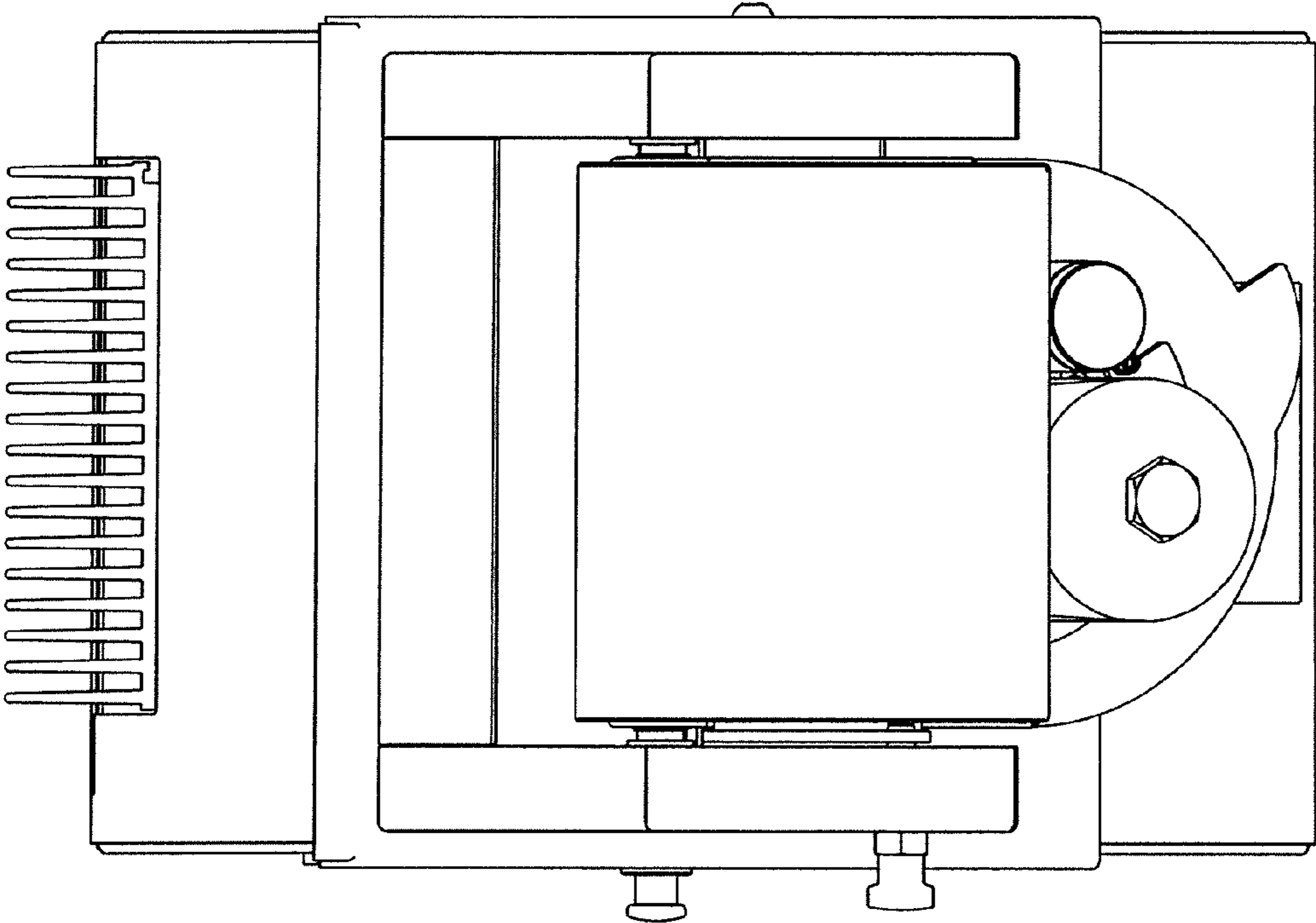


Fig. 6



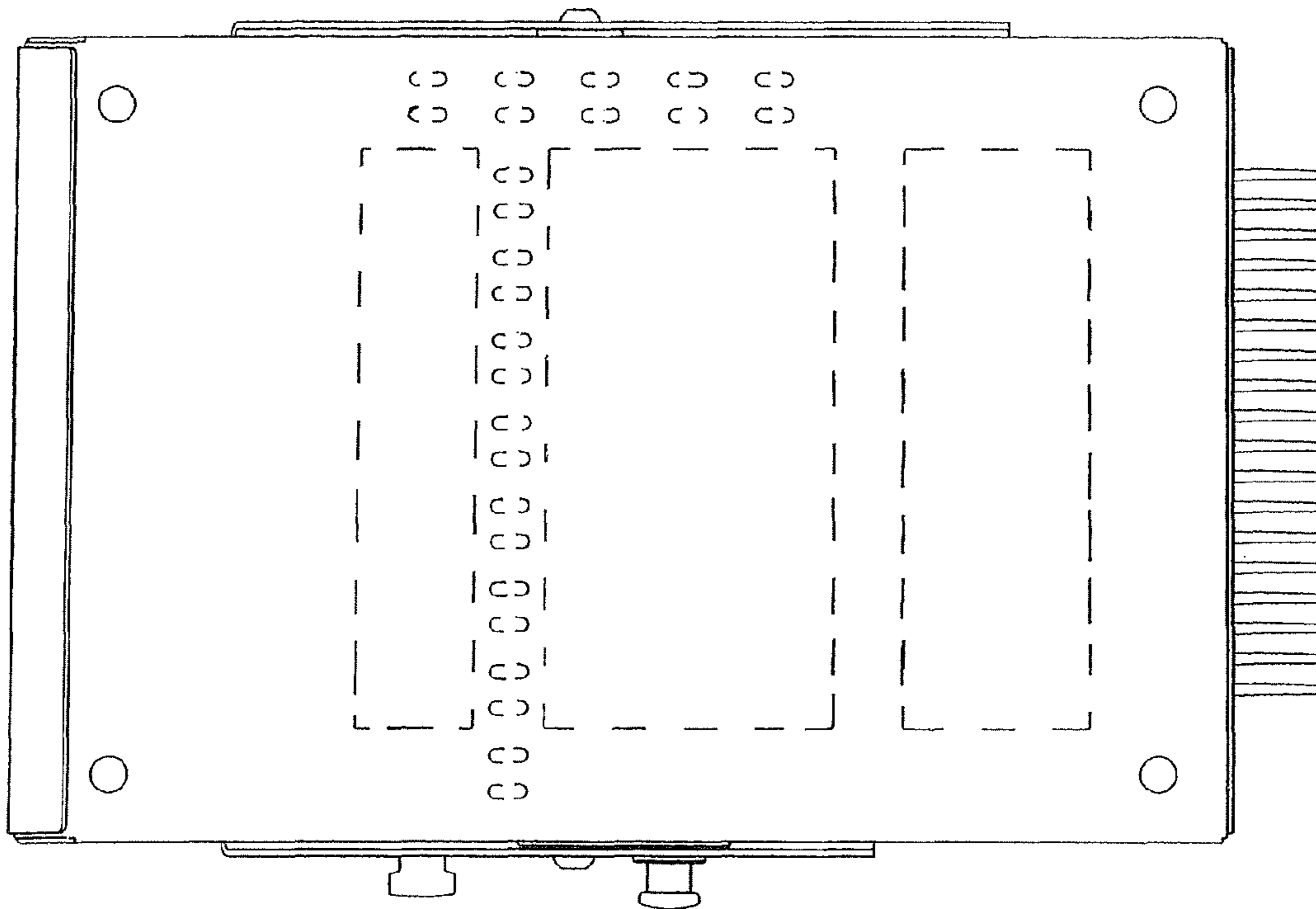


Fig. 7