



US00D695323S

(12) **United States Design Patent**
Strandemo et al.

(10) **Patent No.:** **US D695,323 S**

(45) **Date of Patent:** **** Dec. 10, 2013**

(54) **ICE BUCKET**

(71) Applicant: **Whirlpool Corporation**, Benton Harbor, MI (US)

(72) Inventors: **Garett L. Strandemo**, Evansville, IN (US); **Eric W. Kost**, Evansville, IN (US)

(73) Assignee: **Whirlpool Corporation**, Benton Harbor, MI (US)

(**) Term: **14 Years**

(21) Appl. No.: **29/434,579**

(22) Filed: **Oct. 15, 2012**

(51) **LOC (9) Cl.** **15-06**

(52) **U.S. Cl.**
USPC **D15/90**

(58) **Field of Classification Search**
USPC D15/79-90; 62/344, 327, 329, 326,
62/448, 449, 125, 126, 137; 312/401-407,
312/321, 306

See application file for complete search history.

(56) **References Cited**

U.S. PATENT DOCUMENTS

6,148,624 A * 11/2000 Bishop et al. 62/344
D447,493 S * 9/2001 Shelley et al. D15/90

D522,542 S * 6/2006 Czach et al. D15/89
D541,316 S * 4/2007 McDougal et al. D15/89
7,743,623 B2 * 6/2010 Guarino et al. 62/344

* cited by examiner

Primary Examiner — Mitchell Siegel

(57) **CLAIM**

We claim the ornamental design for an ice bucket, substantially as shown and described.

DESCRIPTION

FIG. 1 is a perspective view of the ice bucket according to the present invention.

FIGS. 2 and 3 are front and rear elevation views of the ice bucket of the present invention.

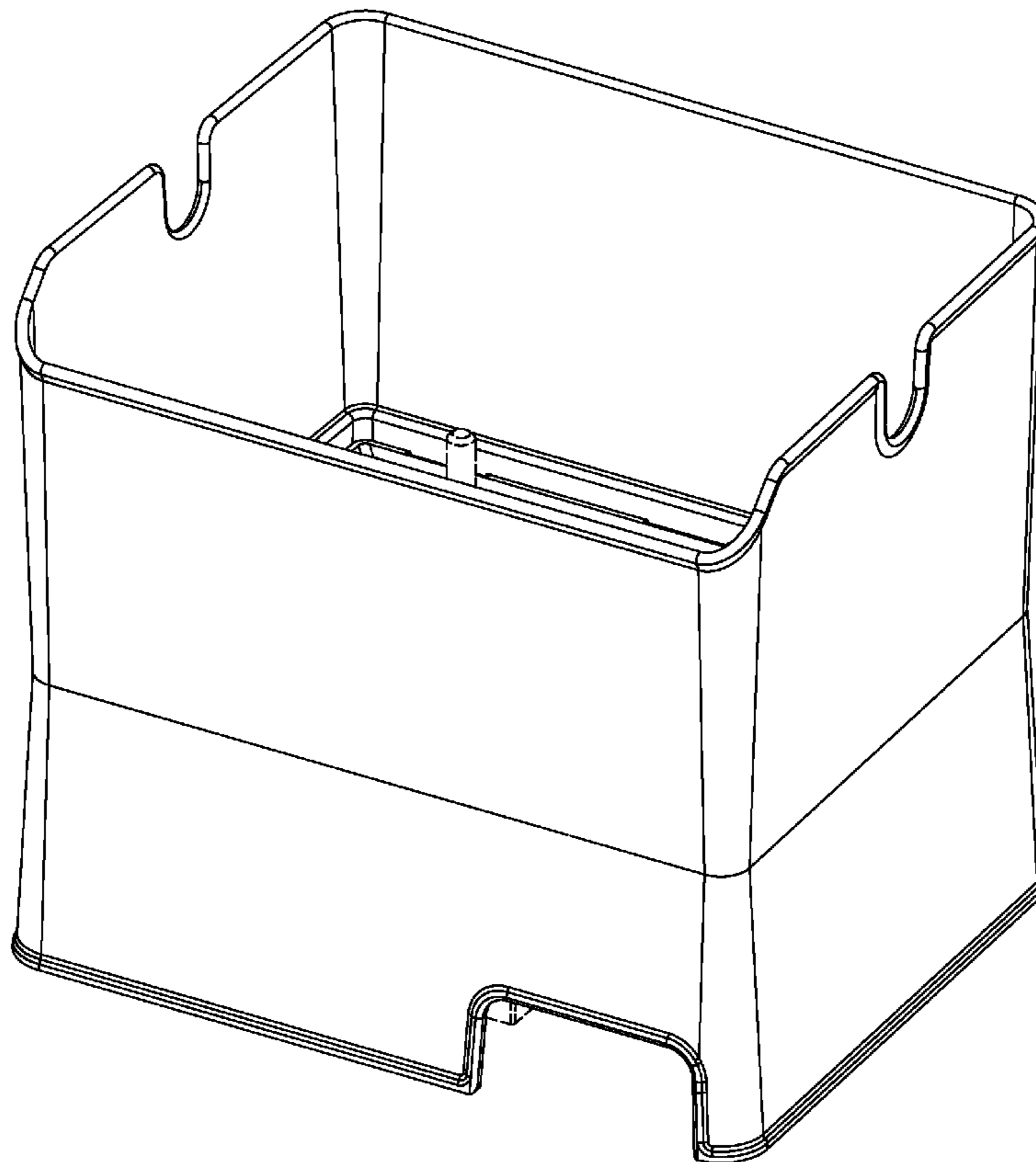
FIGS. 4 and 5 are elevation views of opposite sides of the ice bucket of the present invention.

FIG. 6 is a top plan view of the ice bucket of the present invention; and,

FIG. 7 is a bottom plan view of the ice bucket of the present invention.

The broken line showing is included for the purpose of illustrating and forms no part of the claimed design.

1 Claim, 7 Drawing Sheets



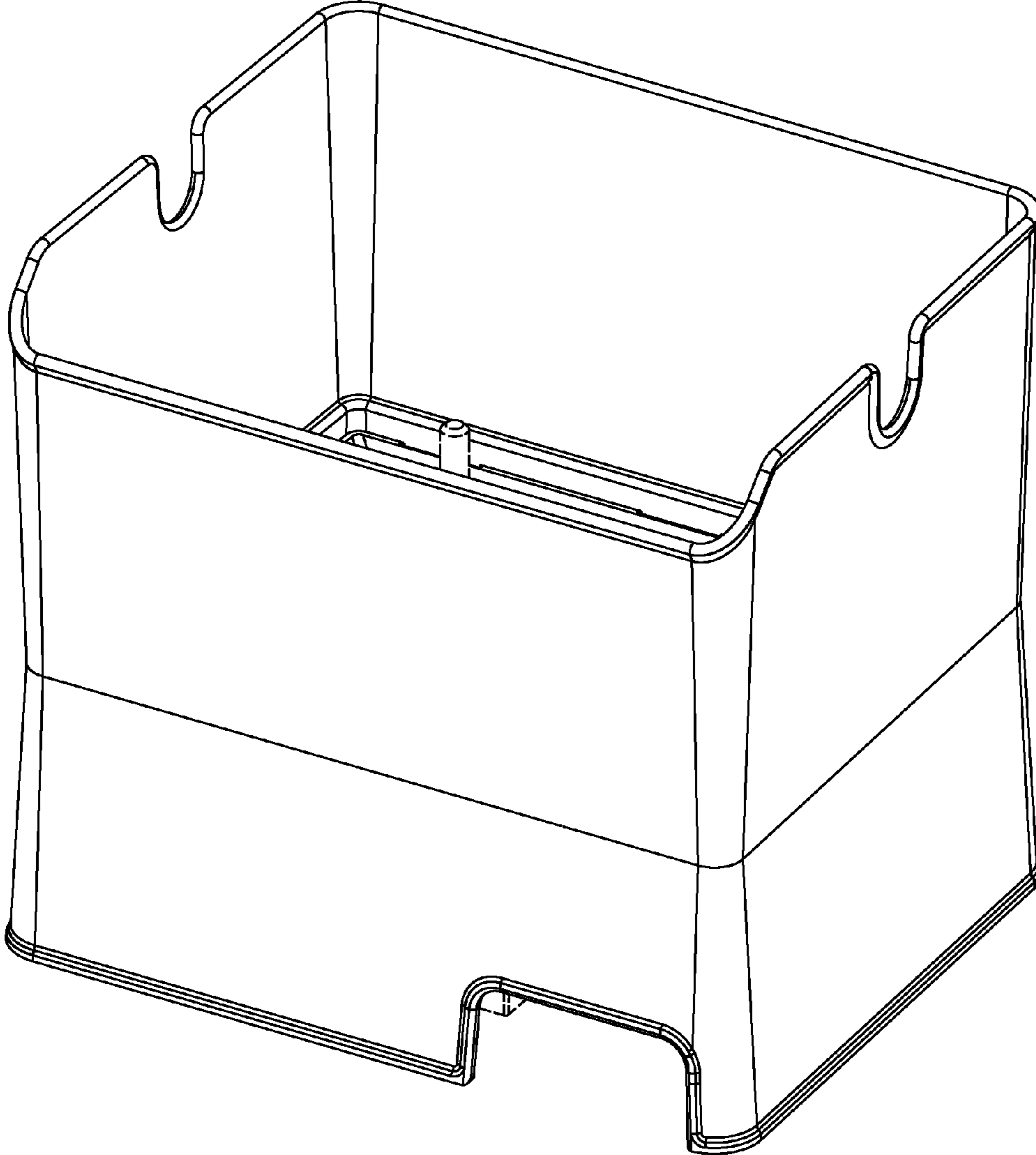


Fig. 1

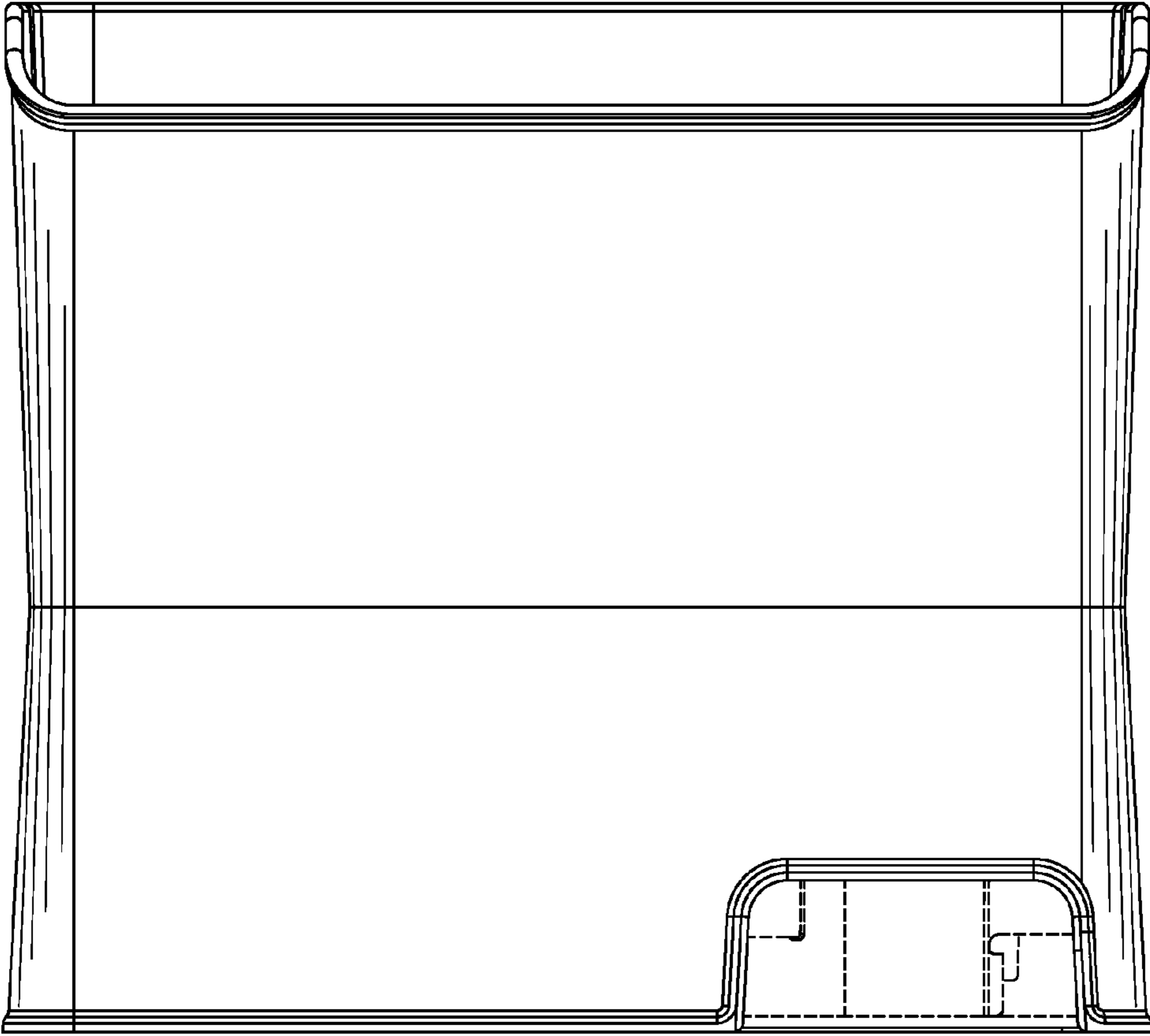


Fig. 2

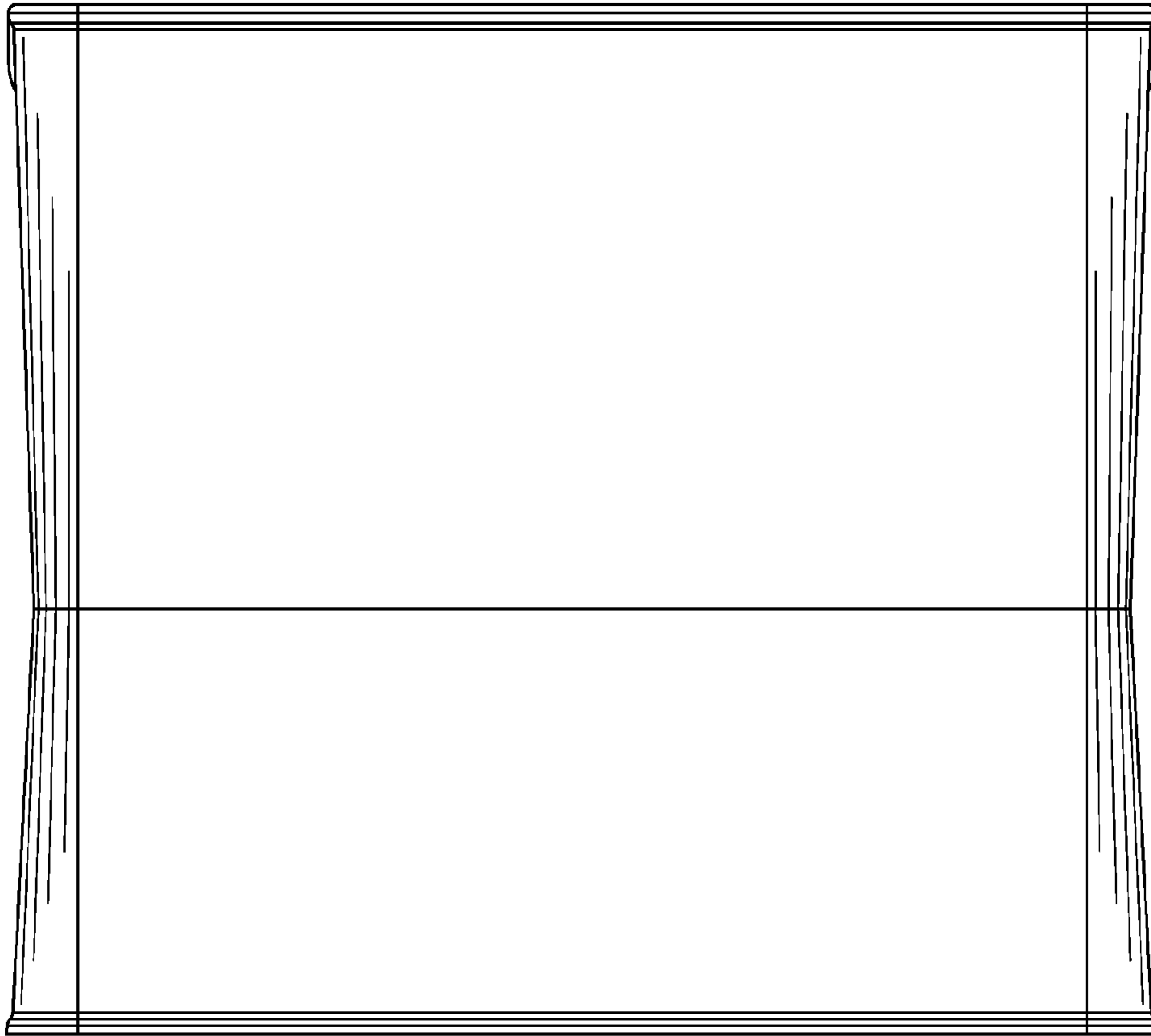


Fig. 3

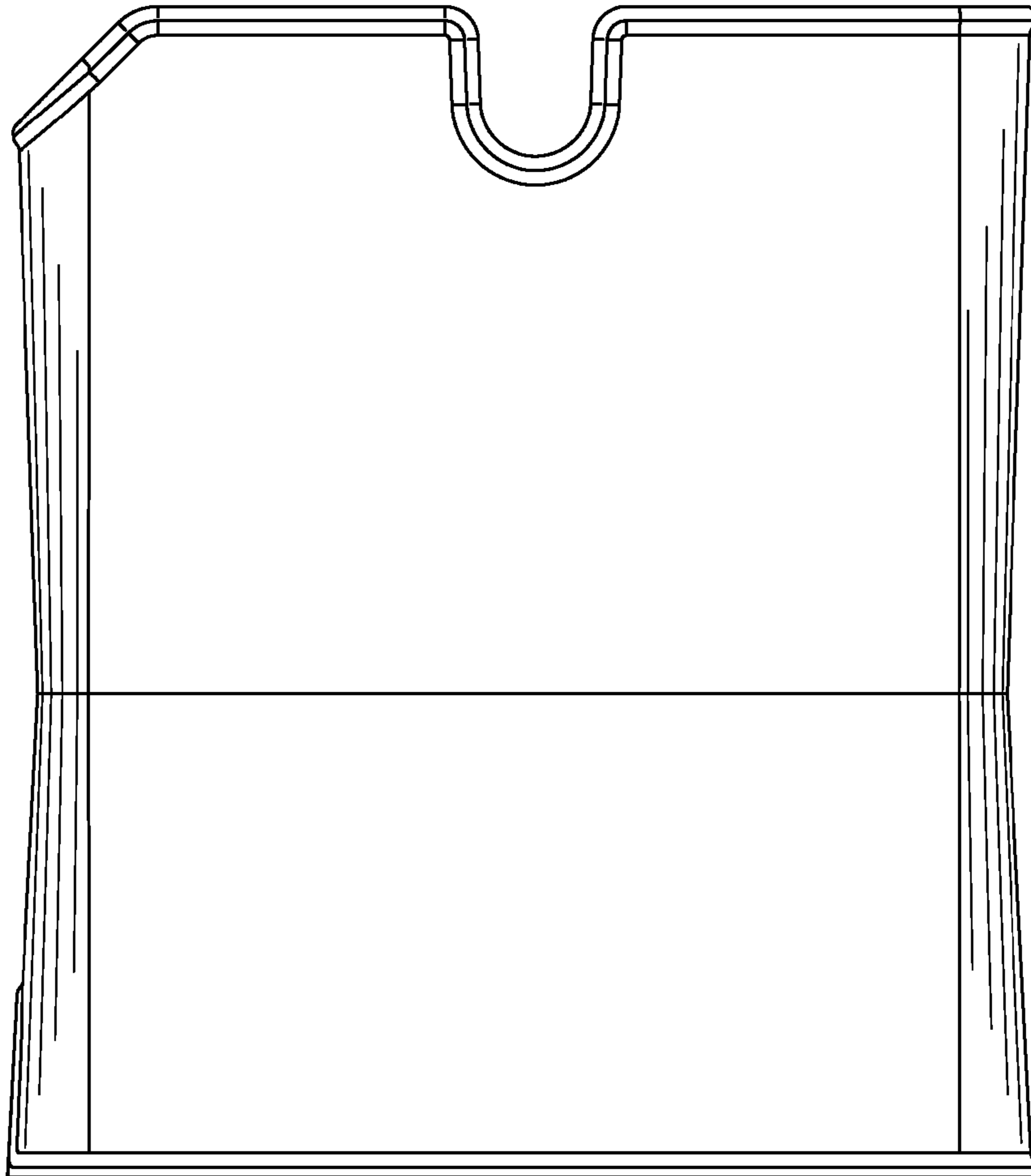


Fig. 4

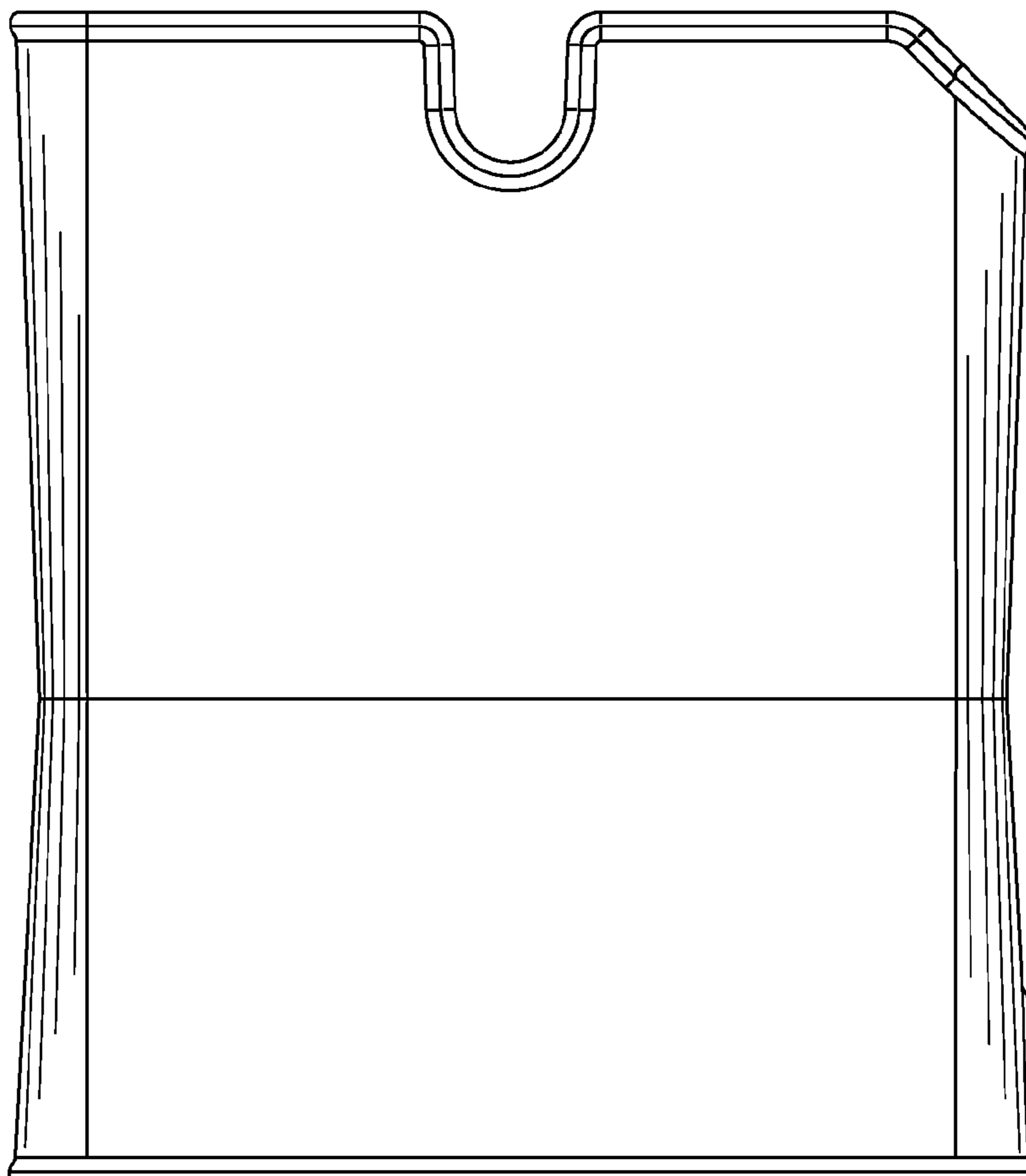


Fig. 5

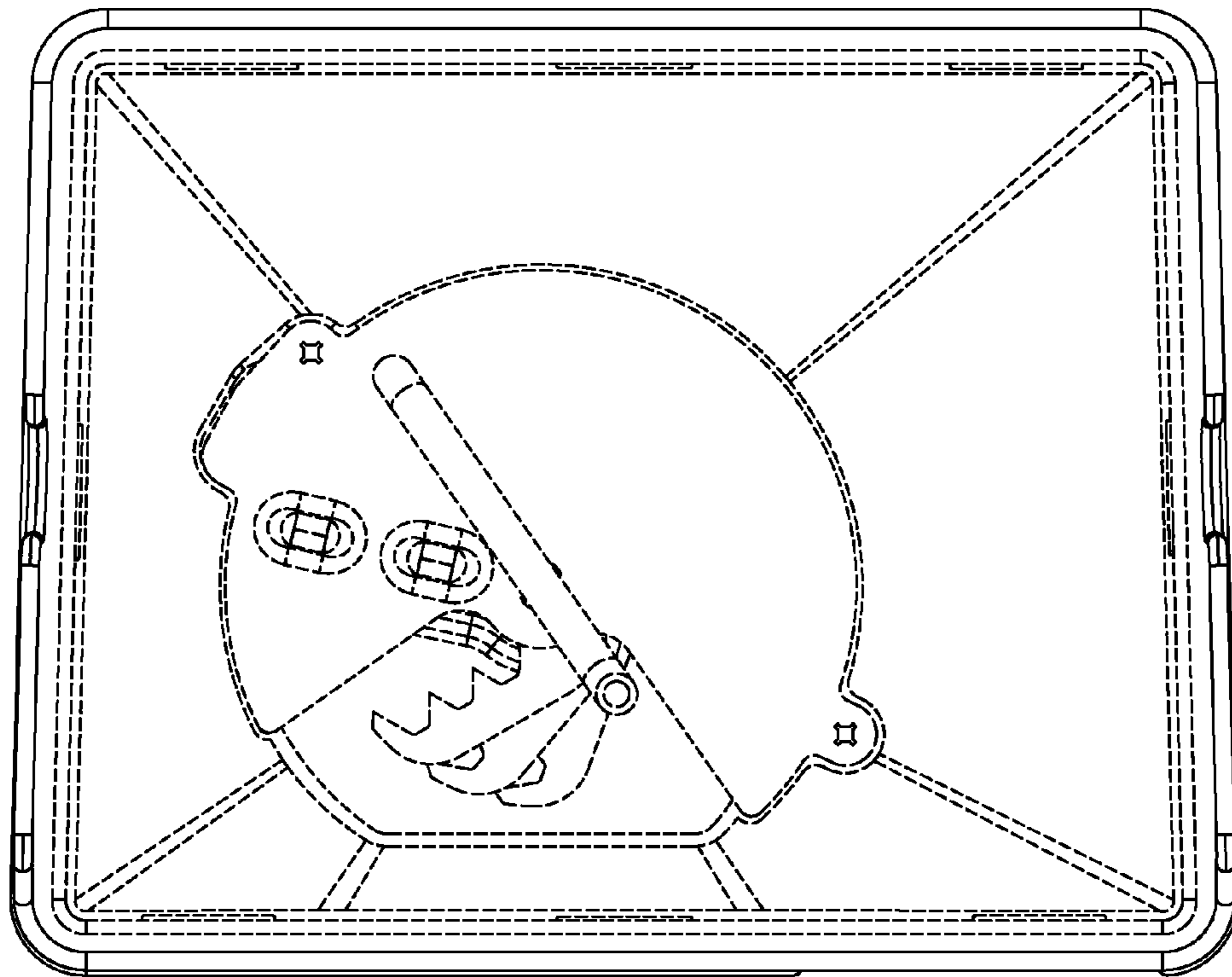


Fig. 6

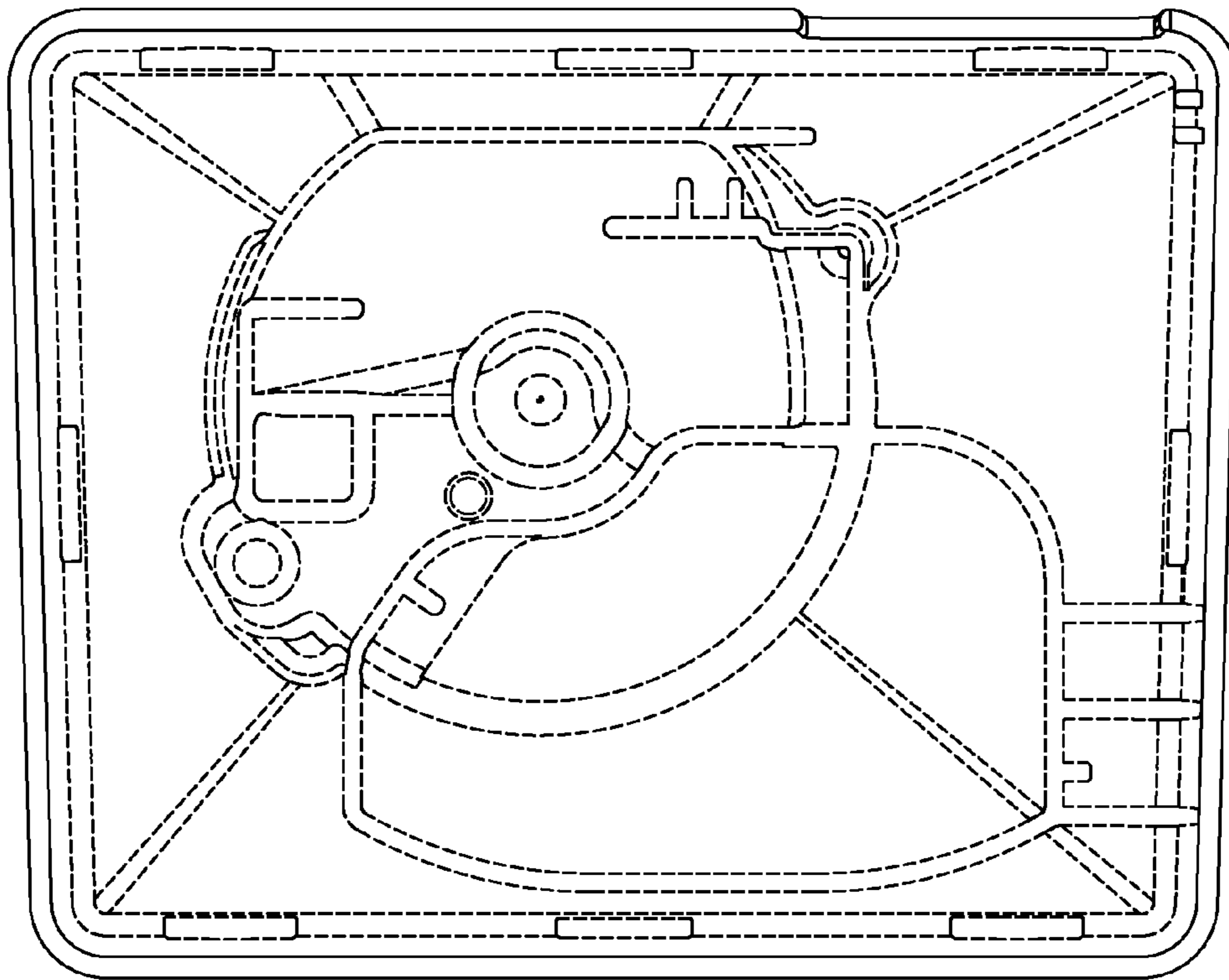


Fig. 7