



US00D695319S

(12) **United States Design Patent**  
**Ohm et al.**

(10) **Patent No.:** **US D695,319 S**  
(45) **Date of Patent:** **\*\* Dec. 10, 2013**

(54) **TIRE INFLATOR**

(71) Applicant: **Bell Automotive Products, Inc.**,  
Scottsdale, AZ (US)  
(72) Inventors: **Patrick Lee Ohm**, Mesa, AZ (US); **Silas**  
**Veloz**, Loma Linda, CA (US); **Dave**  
**Windham**, Altadena, CA (US)  
(73) Assignee: **Bell Automotive Products, Inc.**,  
Scottsdale, AZ (US)

(\*\*) Term: **14 Years**

(21) Appl. No.: **29/451,361**

(22) Filed: **Apr. 1, 2013**

(51) **LOC (9) Cl.** ..... **15-02**

(52) **U.S. Cl.**  
USPC ..... **D15/9**

(58) **Field of Classification Search**  
USPC ..... D15/7-9; D23/231, 232, 225; 417/60,  
417/235, 265, 321, 355, 358, 363, 359,  
417/410.1, 415-416, 405, 900; 60/408,  
60/412; 184/26-37; 415/140-147;  
123/495, 509; 141/38

See application file for complete search history.

(56) **References Cited**

U.S. PATENT DOCUMENTS

D499,426 S *	12/2004	Chou .....	D15/7
D520,024 S *	5/2006	Chen .....	D15/7
D582,945 S *	12/2008	Chou .....	D15/9
D605,665 S *	12/2009	Falkenberg .....	D15/7
D662,113 S *	6/2012	Johnson et al. ....	D15/7
D671,560 S *	11/2012	Ohm et al. ....	D15/7
D672,367 S *	12/2012	Stansbury et al. ....	D15/7
D678,351 S *	3/2013	Wong .....	D15/9
D679,291 S *	4/2013	Ohm et al. ....	D15/7

\* cited by examiner

*Primary Examiner* — Ralf Seifert

(74) *Attorney, Agent, or Firm* — Booth Udall Fuller, PLC

(57) **CLAIM**

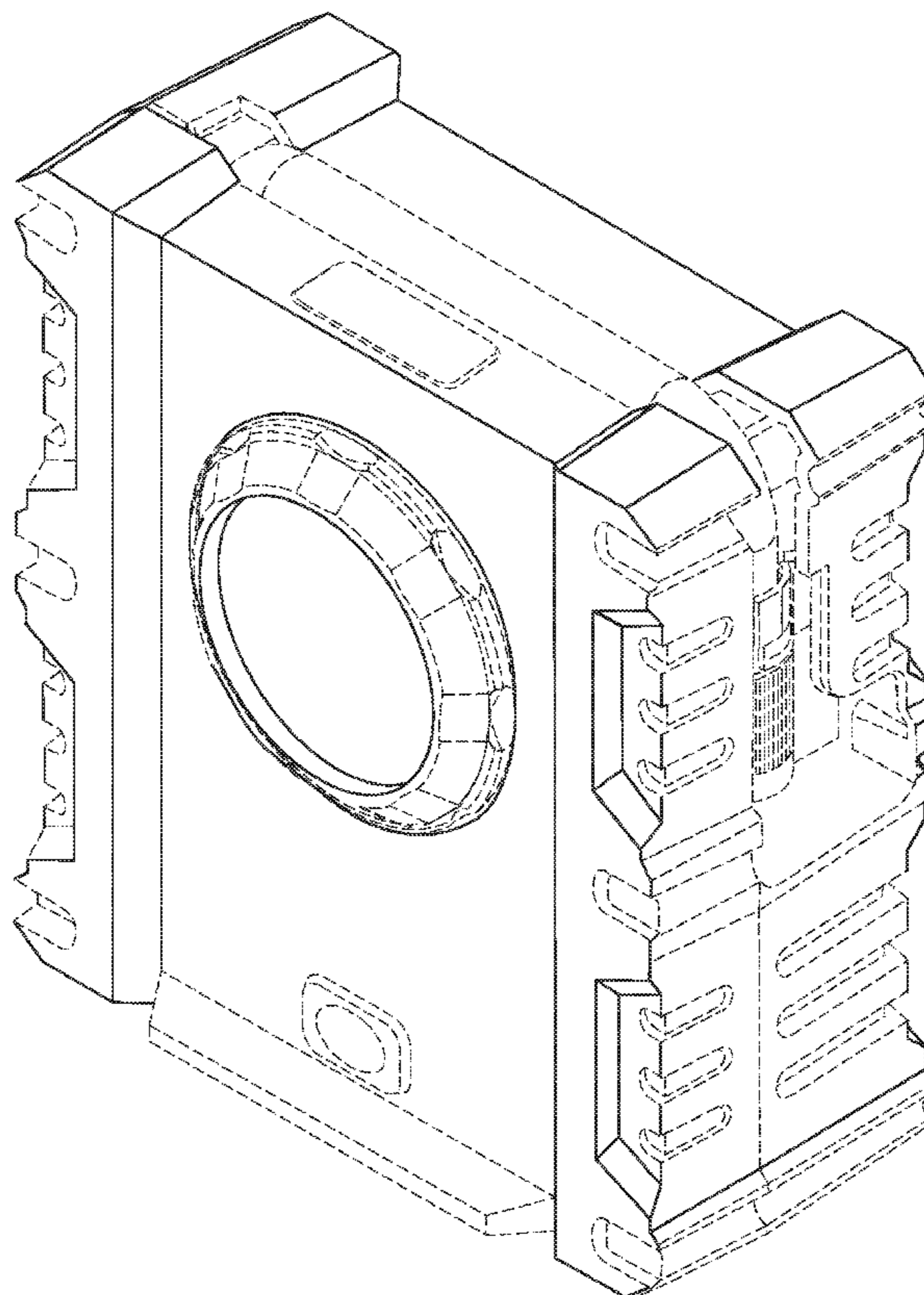
The ornamental design for a tire inflator, as shown and described in the preceding Figures.

**DESCRIPTION**

FIG. 1 is a front perspective view for a tire inflator;  
FIG. 2 is a front view thereof;  
FIG. 3 is a left side view thereof;  
FIG. 4 is a right side view thereof;  
FIG. 5 is a rear view thereof;  
FIG. 6 is top view thereof; and,  
FIG. 7 is a bottom view thereof.

The broken lines are included for the purpose of illustrating environmental features and form no part of the claimed design.

**1 Claim, 6 Drawing Sheets**



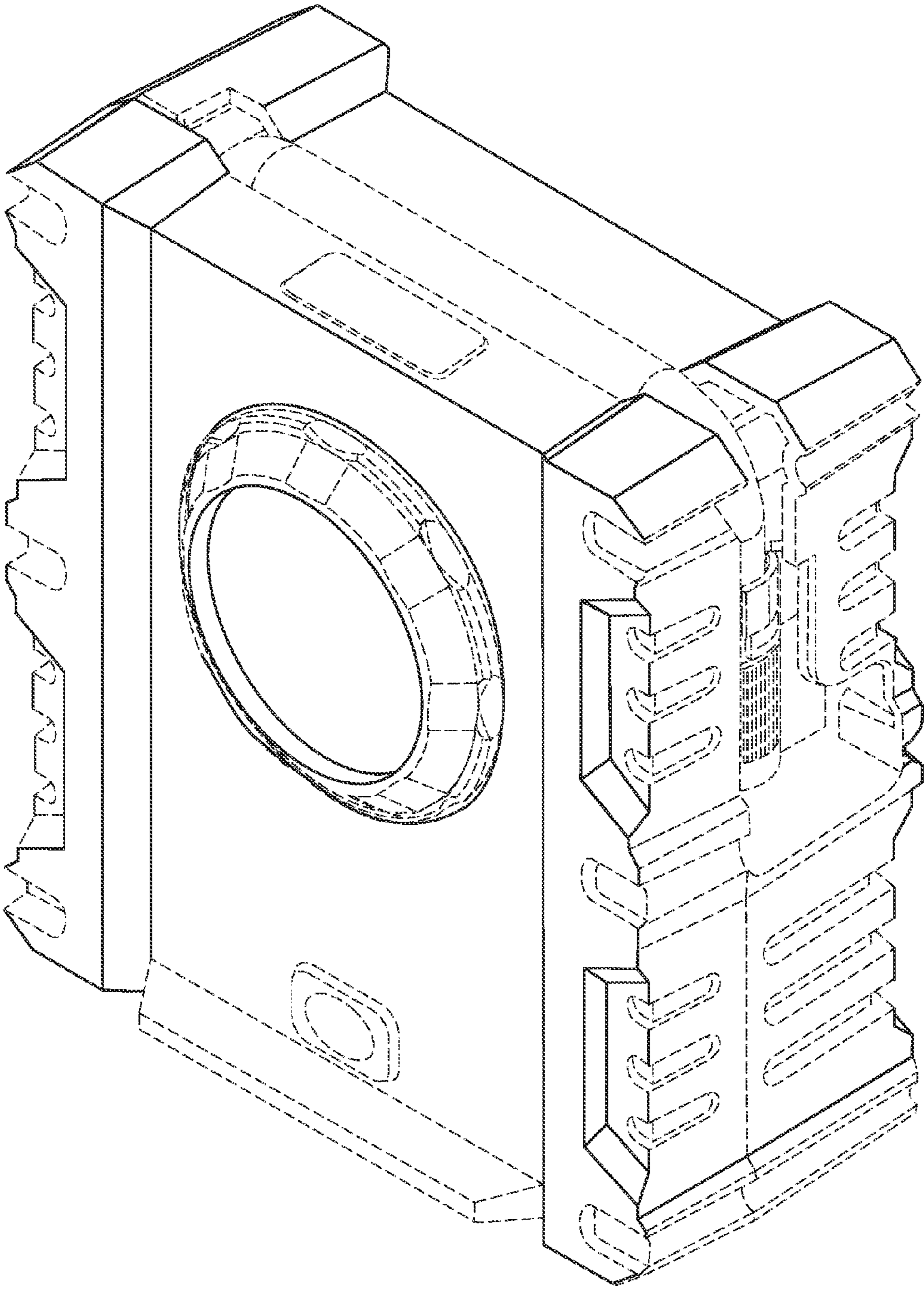
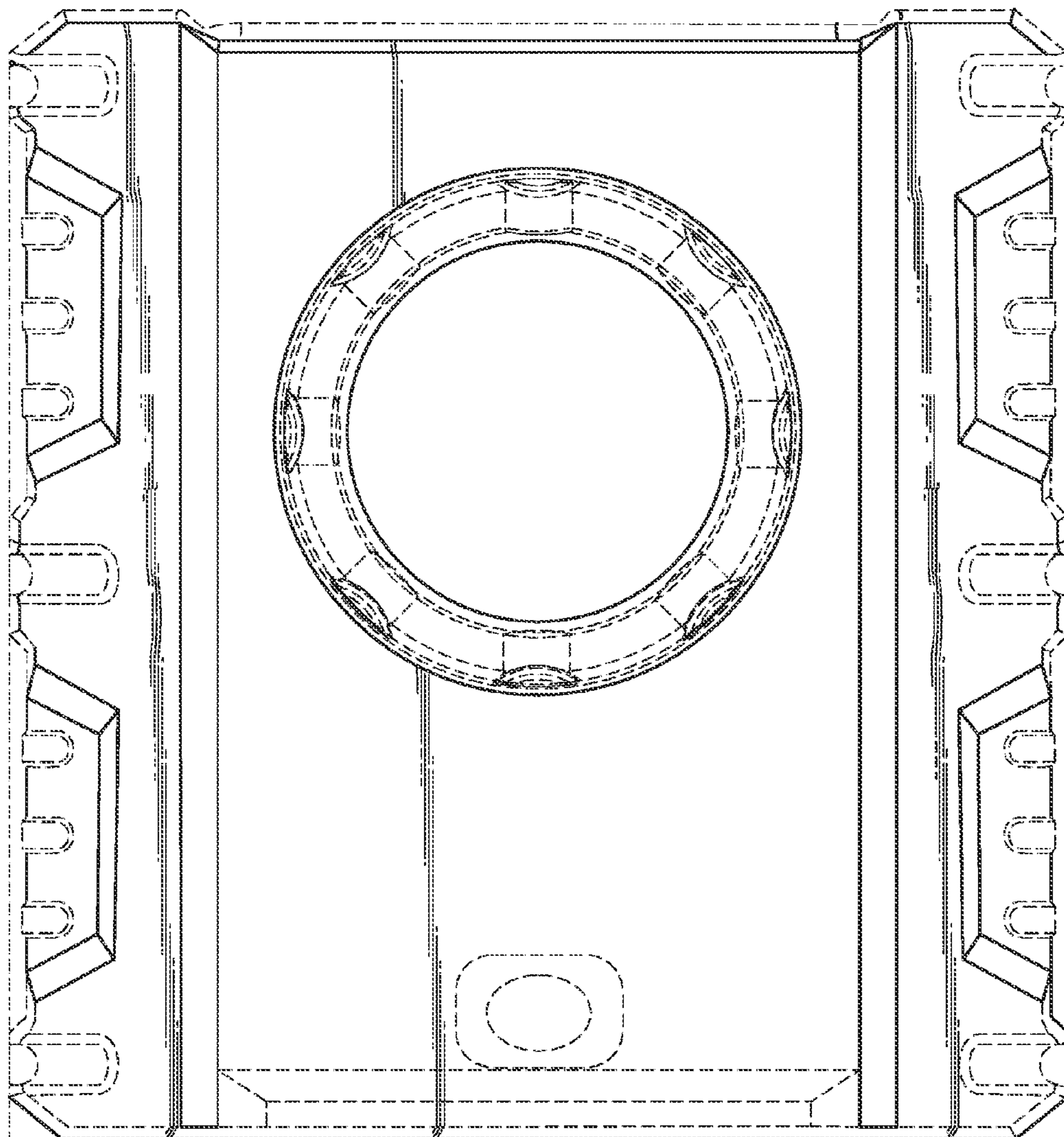


FIG. 1



**FIG 2**

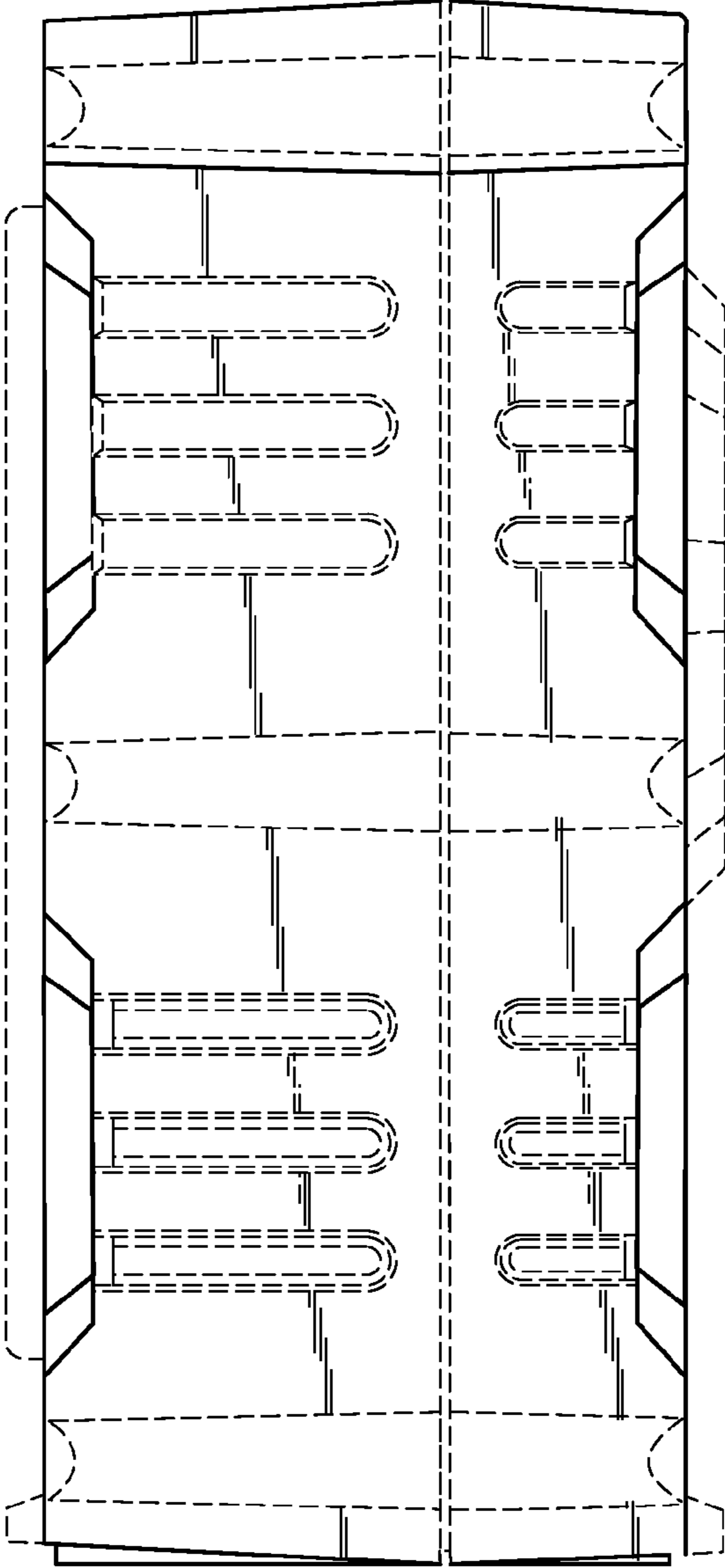
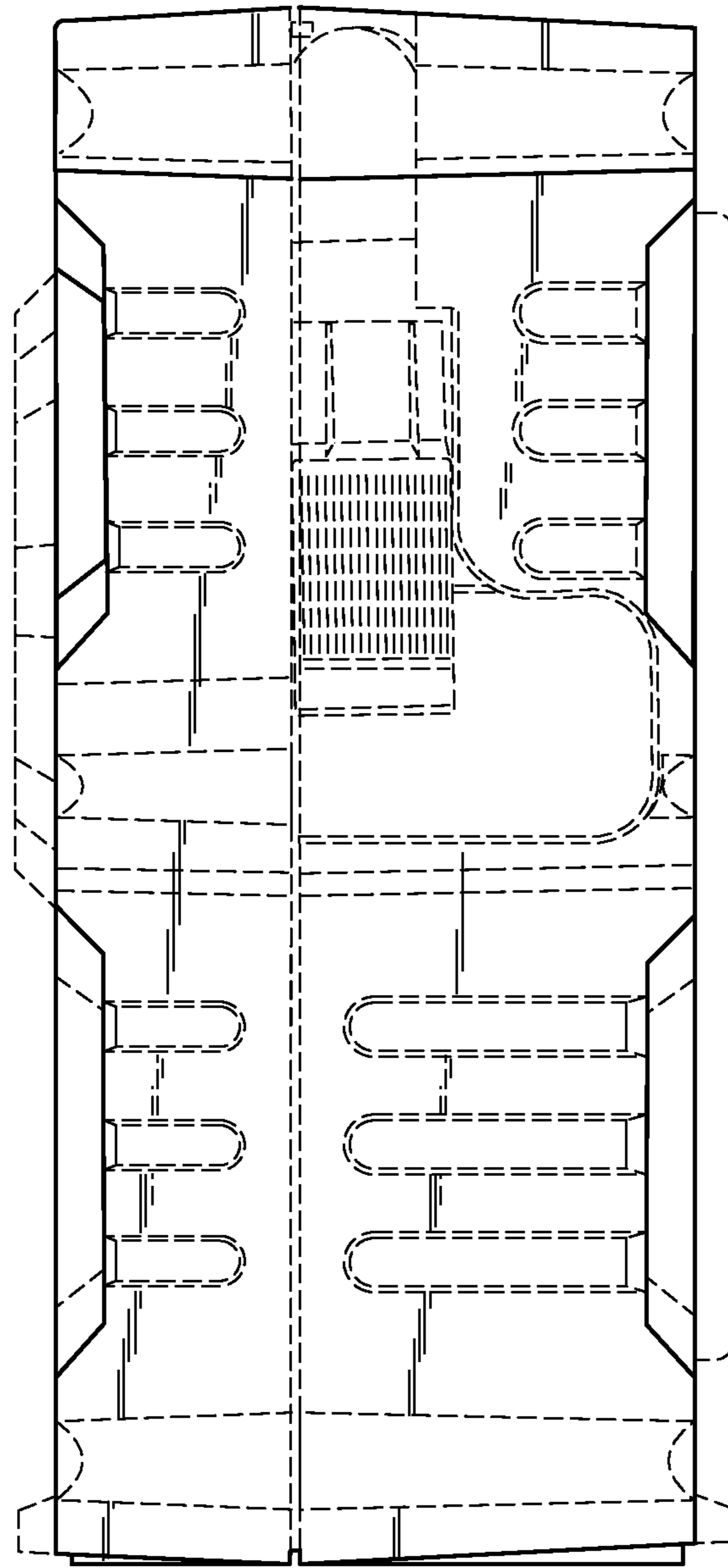


FIG. 3



**FIG. 4**

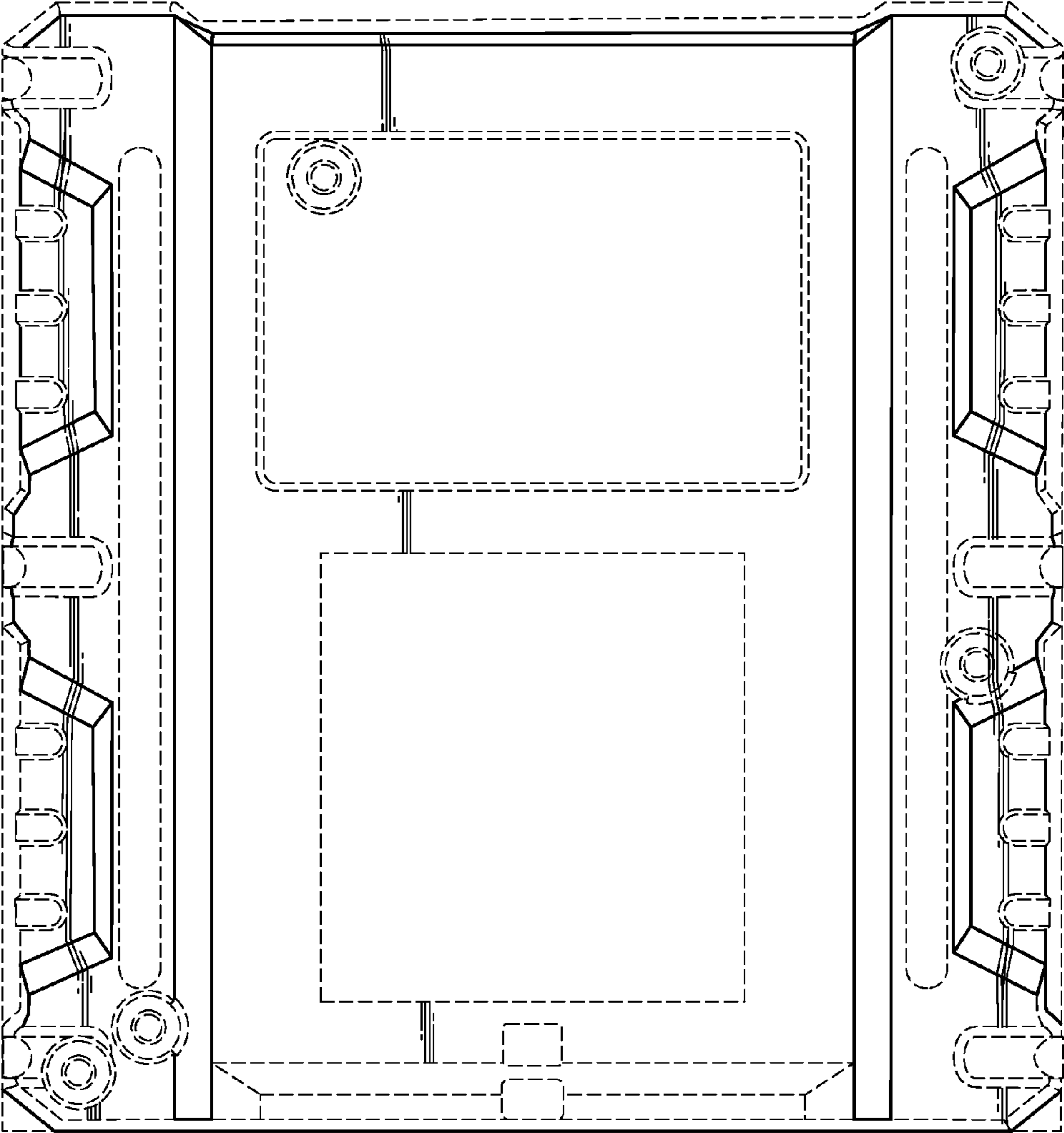
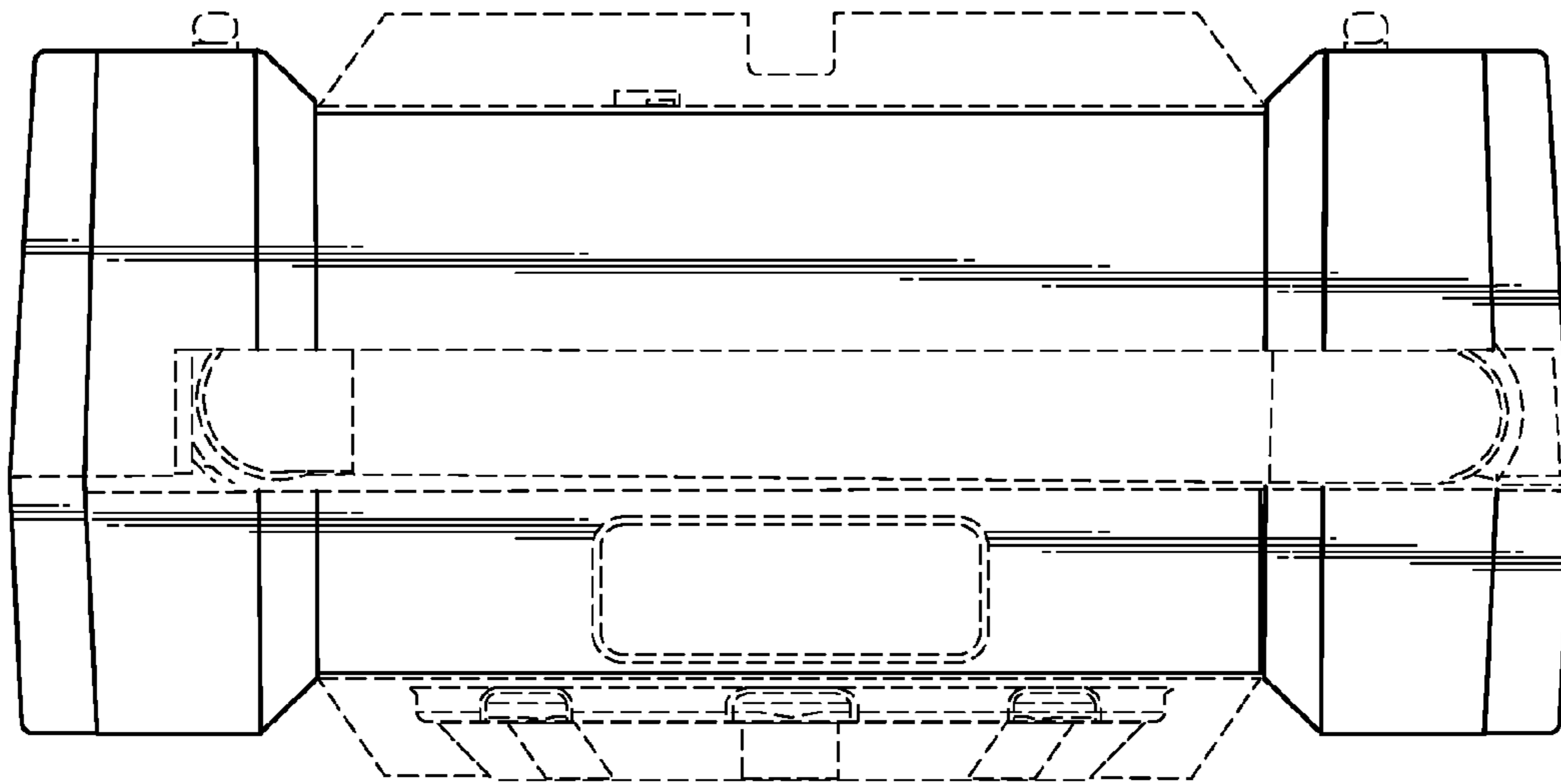
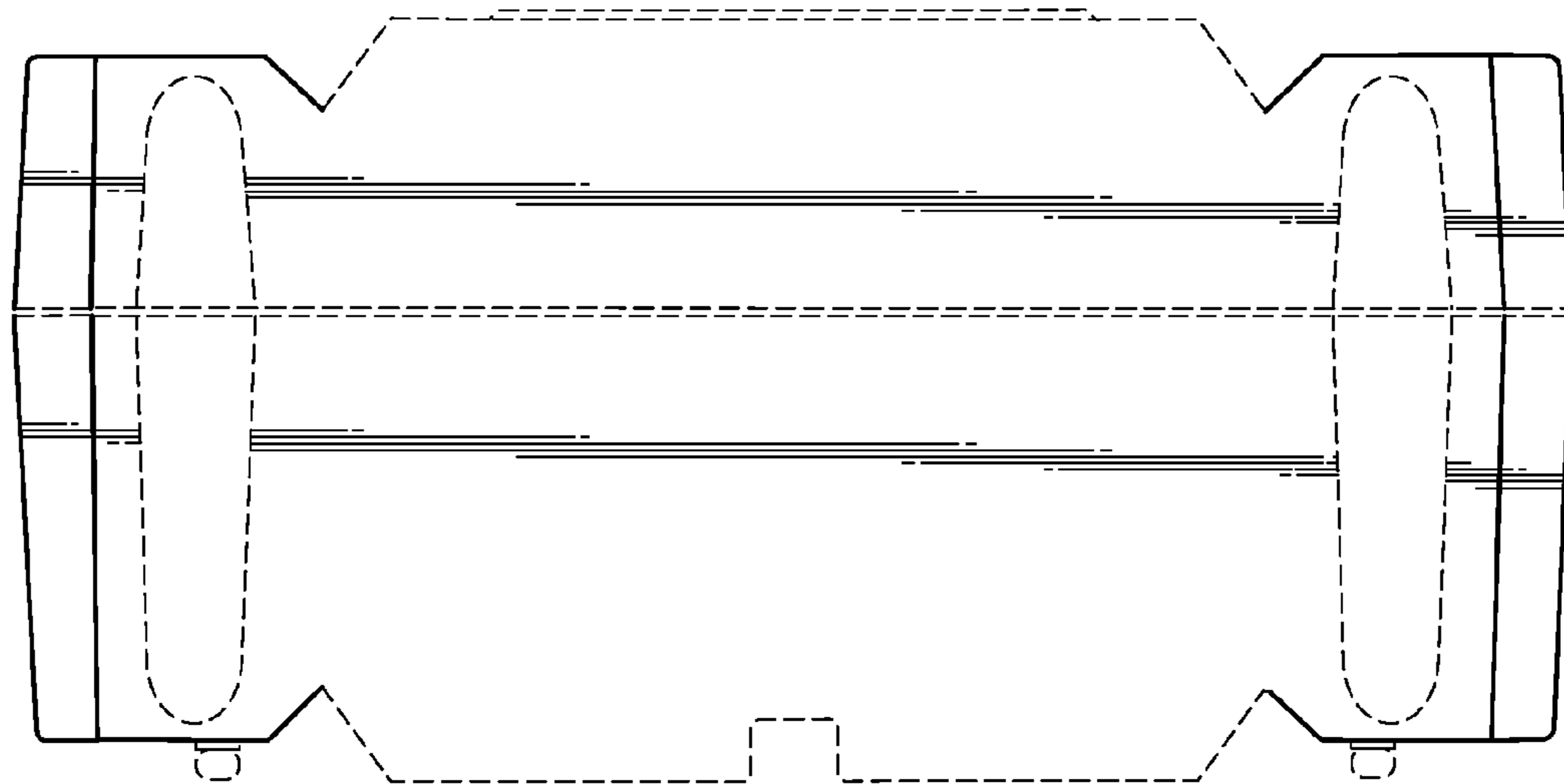


FIG. 5



**FIG. 6**



**FIG. 7**