

US00D695318S

(12) **United States Design Patent**  
**Link et al.**

(10) **Patent No.:** **US D695,318 S**

(45) **Date of Patent:** **\*\* Dec. 10, 2013**

(54) **PUMP**

(71) Applicant: **Joh. Heinr. Bornemann GmbH**,  
Obernkirchen (DE)

(72) Inventors: **Rene Link**, Bueckeberg (DE); **Jens Dralle**, Hesse (DE)

(73) Assignee: **Joh. Heinr. Bornemann GmbH**,  
Obernkirchen (DE)

(\*\*) Term: **14 Years**

(21) Appl. No.: **29/433,098**

(22) Filed: **Sep. 26, 2012**

(30) **Foreign Application Priority Data**

Mar. 26, 2012 (DE) ..... 40 2012 001 440

(51) **LOC (9) Cl.** ..... **15-02**

(52) **U.S. Cl.**  
USPC ..... **D15/9**

(58) **Field of Classification Search**  
USPC ..... D15/7-9; D23/231, 232, 225; 417/60,  
417/235, 265, 321, 355, 358, 363, 359,  
417/410.1, 415-416, 405, 900; 60/408,  
60/412; 184/26-37; 415/140-147;  
123/495, 509; 141/38

See application file for complete search history.

(56) **References Cited**

U.S. PATENT DOCUMENTS

D327,273	S	*	6/1992	Cadotte et al.	.....	D15/7
D370,225	S	*	5/1996	Wada et al.	.....	D15/9
D382,277	S	*	8/1997	Feitel et al.	.....	D15/7
D405,455	S	*	2/1999	Leu et al.	.....	D15/9
D501,486	S	*	2/2005	Leone et al.	.....	D15/7
D657,799	S	*	4/2012	Jung	.....	D15/7
D660,320	S	*	5/2012	Varini	.....	D15/7
D681,679	S	*	5/2013	Osaka et al.	.....	D15/7

\* cited by examiner

*Primary Examiner* — Ralf Seifert

(74) *Attorney, Agent, or Firm* — Whitham Curtis  
Christofferson & Cook, PC

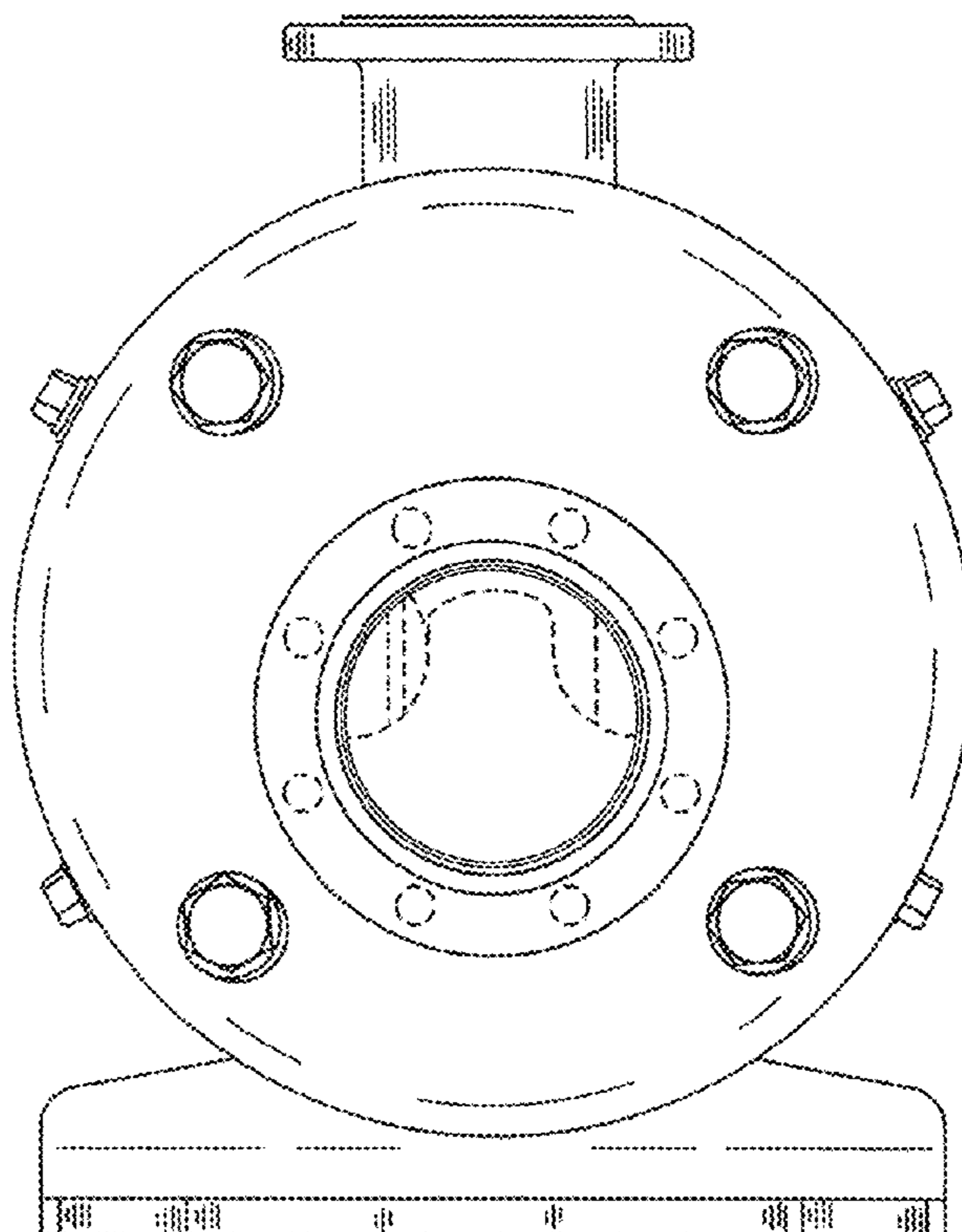
(57) **CLAIM**

We claim the ornamental design for pump, as shown and described.

**DESCRIPTION**

FIG. 1 is a front view of a pump.  
FIG. 2 is a rear view of a pump.  
FIG. 3 is a perspective view of a pump.  
FIG. 4 is a side view of a pump.  
FIG. 5 is a top view of a pump; and,  
FIG. 6 is a second side view of a pump.

**1 Claim, 6 Drawing Sheets**



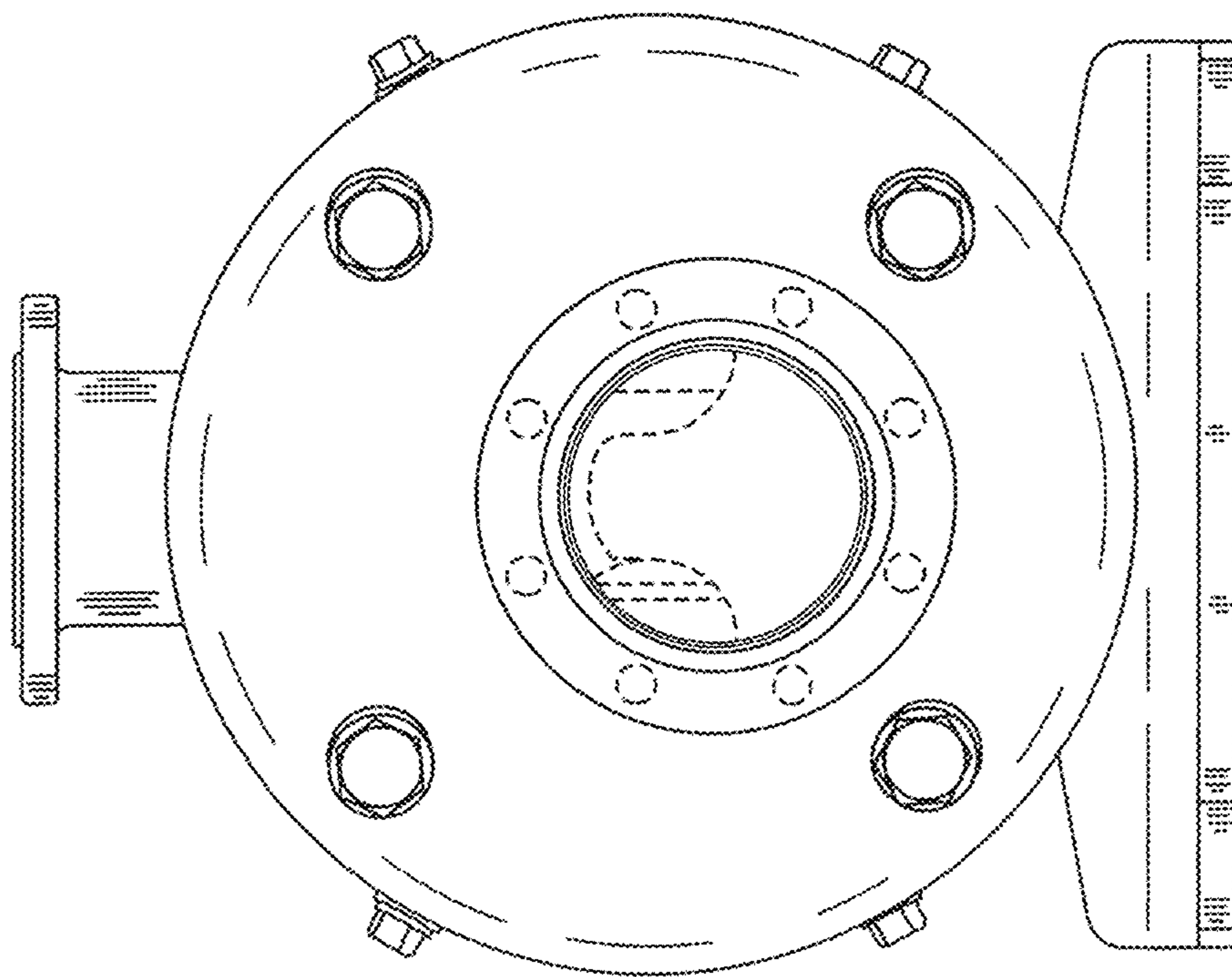


Figure 1

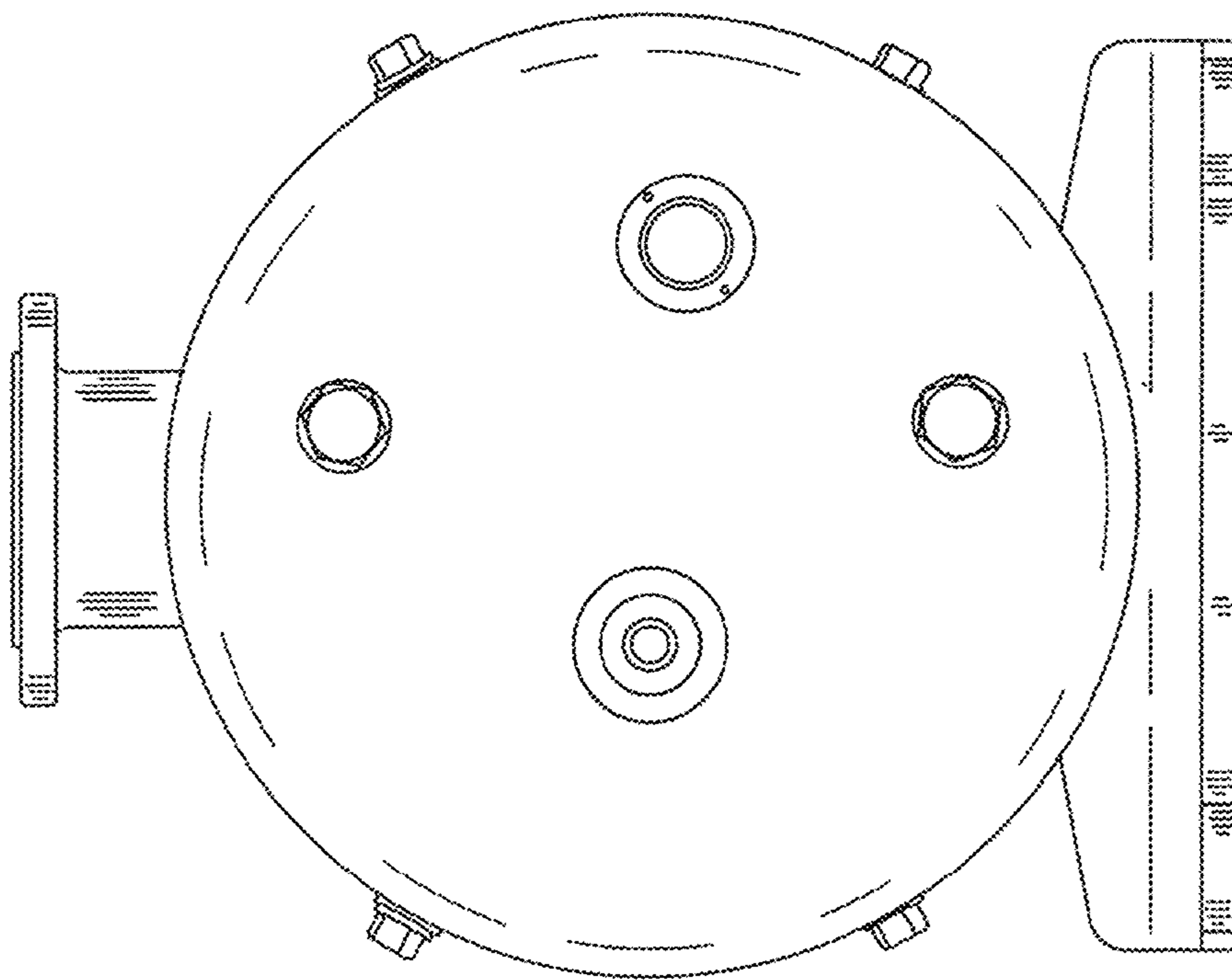
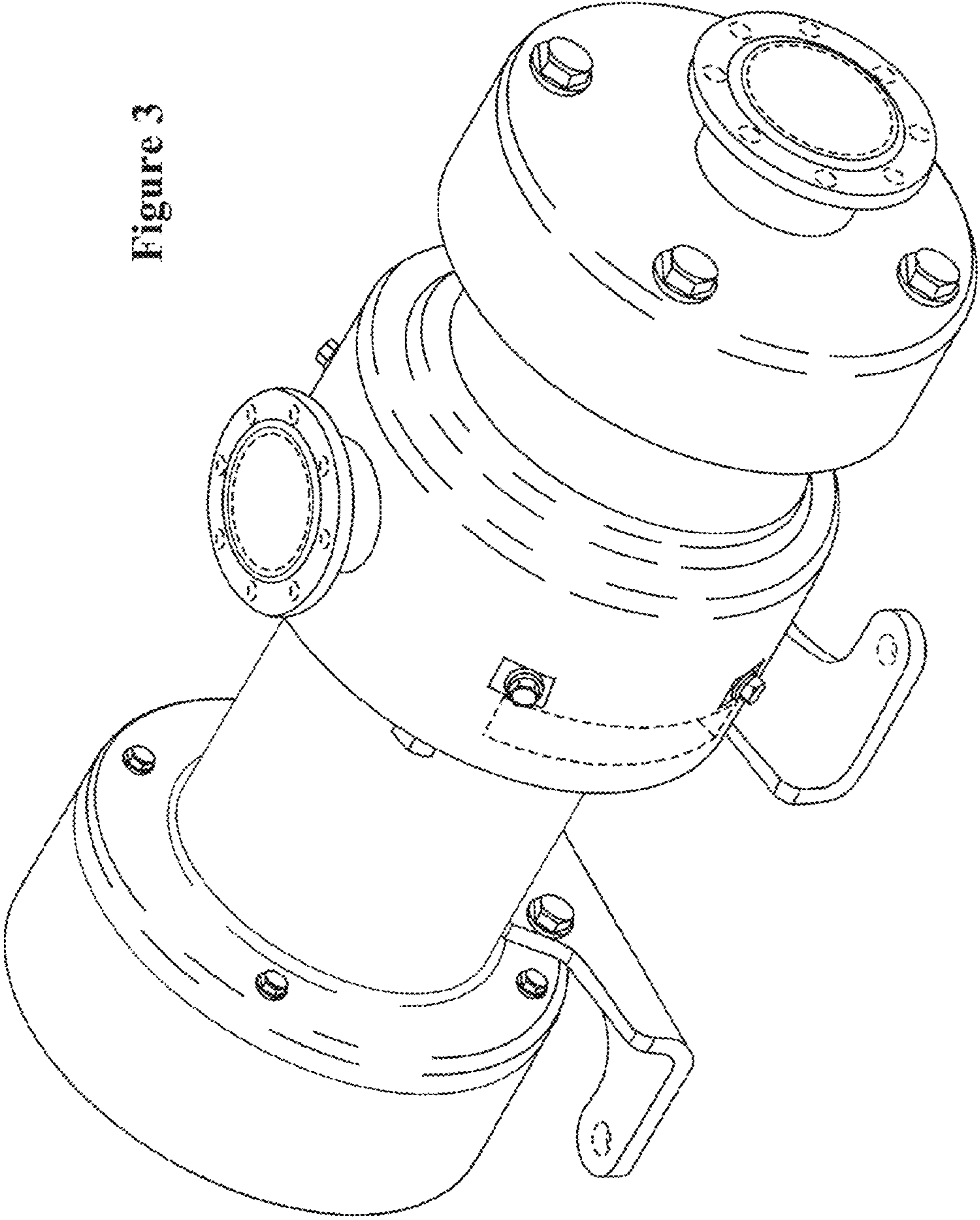


Figure 2

Figure 3



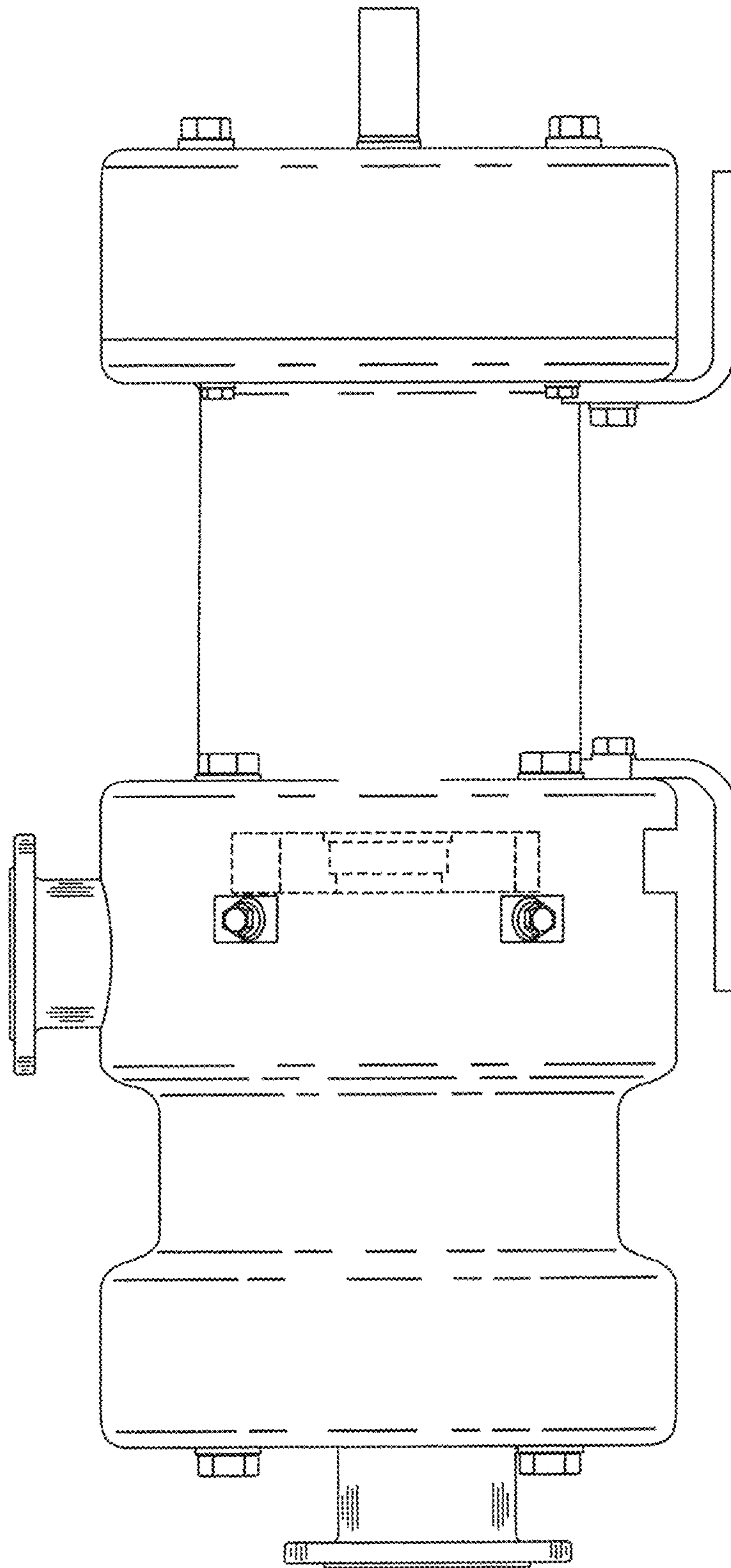


Figure 4

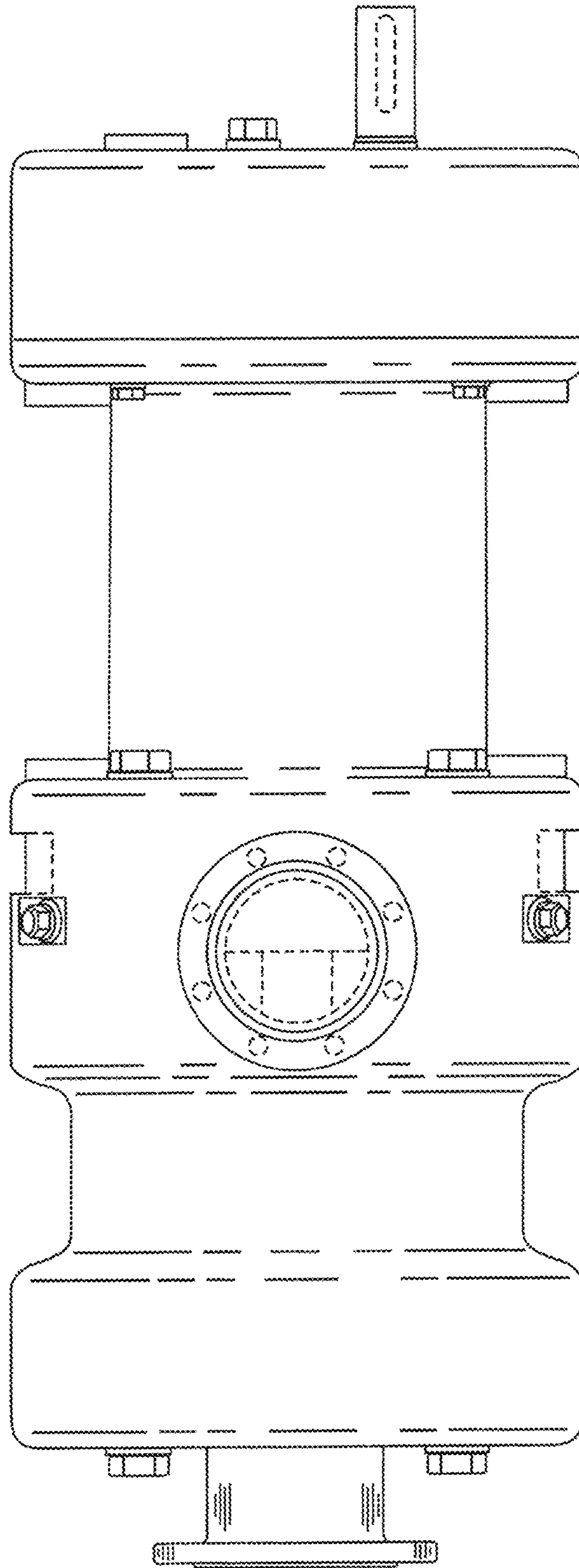


Figure 5

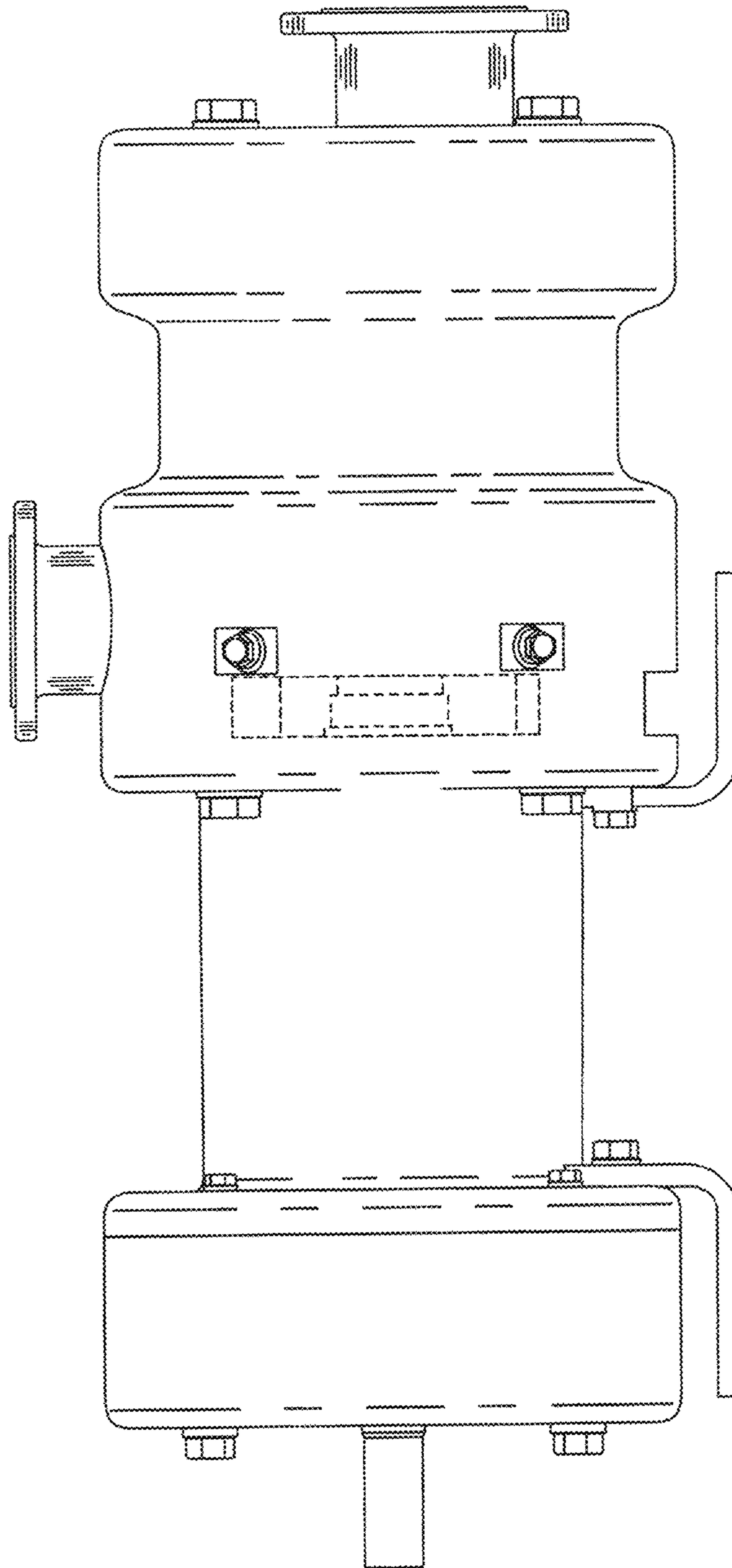


Figure 6