



US00D695316S

(12) **United States Design Patent**
Akana et al.

(10) **Patent No.:** **US D695,316 S**
(45) **Date of Patent:** **** Dec. 10, 2013**

(54) **HOUSING FOR AN ELECTRONIC DEVICE**
(71) Applicant: **Apple Inc.**, Cupertino, CA (US)
(72) Inventors: **Jody Akana**, San Francisco, CA (US);
Bartley K. Andre, Palo Alto, CA (US);
John B. Ardisana, II, San Francisco,
CA (US); **Jeremy Bataillou**, San
Francisco, CA (US); **John Oskar**
Ceideburg, Santa Cruz, CA (US);
Daniel J. Coster, San Francisco, CA
(US); **Daniele De Iuliis**, San Francisco,
CA (US); **Trent Do**, Milpitas, CA (US);
Colin Ely, Cupertino, CA (US); **M.**
Evans Hankey, San Francisco, CA
(US); **Phillip M. Hobson**, Menlo Park,
CA (US); **Julian Hoenig**, San Francisco,
CA (US); **Richard P. Howarth**, San
Francisco, CA (US); **Jonathan P. Ive**,
San Francisco, CA (US); **Eric Steven**
Jol, San Jose, CA (US); **Duncan Robert**
Kerr, San Francisco, CA (US); **Shin**
Nishibori, Kailua, HI (US); **Matthew**
Dean Rohrbach, San Francisco, CA
(US); **Fletcher Rothkopf**, Los Altos, CA
(US); **Peter Russell-Clarke**, San
Francisco, CA (US); **Anna-Katrina**
Shedletsky, Mountain View, CA (US);
Mikael Silvanto, San Francisco, CA
(US); **Christopher J. Stringer**,
Woodside, CA (US); **Hua Lee Tan**,
Singapore (SG); **Eugene Antony**
Whang, San Francisco, CA (US); **Rico**
Zörkendörfer, San Francisco, CA (US)

(73) Assignee: **Apple Inc.**, Cupertino, CA (US)
(**) Term: **14 Years**
(21) Appl. No.: **29/452,805**
(22) Filed: **Apr. 22, 2013**

Related U.S. Application Data

(63) Continuation of application No. 29/431,557, filed on
Sep. 7, 2012, now abandoned.
(51) **LOC (9) Cl.** **14-03**
(52) **U.S. Cl.**
USPC **D14/496**

(58) **Field of Classification Search**
USPC D14/496, 401, 435, 474, 483, 217, 137,
D14/138, 160, 168, 356, 203.1–203.8, 507;
345/156, 169, 173–179, 905;
715/727–729, 864; 710/1, 5, 8; 713/1,
713/600; 455/1.1, 1.7, 73, 344–347, 93, 95,
455/3.01–3.06, 550.1, 573.1; 370/342–344;
369/1, 2, 6–12; 463/43–47; 273/148 B
See application file for complete search history.

(56) **References Cited**

U.S. PATENT DOCUMENTS

4,165,554 A 8/1979 Faget
D270,062 S 8/1983 Ackeret
(Continued)

FOREIGN PATENT DOCUMENTS

CN 3513646 3/2006
CN 3543434 7/2006
(Continued)

OTHER PUBLICATIONS

Saytes, "Saytes: Tecnologia submergible," Saytes.es, accessed at
http://www.saytes.es/product_info.php?products_id=494, retrieved
Feb. 18, 2009, 1 page.

Primary Examiner — Prabhakar Deshmukh

(74) *Attorney, Agent, or Firm* — Sterne, Kessler, Goldstein
& Fox PLLC

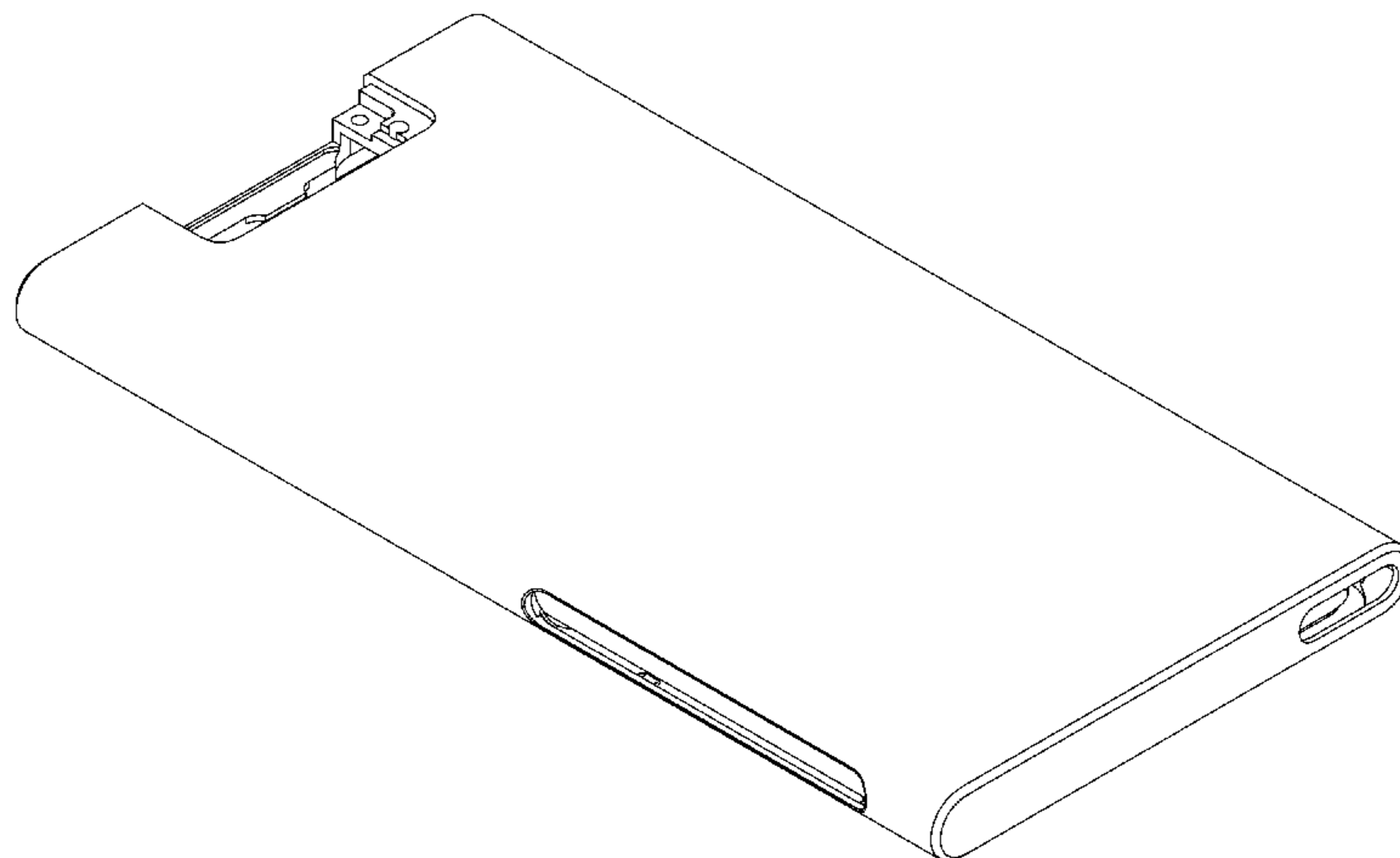
(57) **CLAIM**

The ornamental design for a housing for an electronic device,
as shown and described.

DESCRIPTION

FIG. 1 is a top rear perspective view of a housing for an
electronic device showing our new design;
FIG. 2 is a bottom front perspective view thereof;
FIG. 3 is a front view thereof;
FIG. 4 is a rear view thereof;
FIG. 5 is a top plan view thereof;
FIG. 6 is a bottom plan view thereof;
FIG. 7 is left side view thereof; and,
FIG. 8 is a right side view thereof.

1 Claim, 6 Drawing Sheets



(56)

References Cited

U.S. PATENT DOCUMENTS

5,128,829 A 7/1992 Loew
 6,122,526 A * 9/2000 Parulski et al. 455/556.1
 D441,735 S 5/2001 Katayama
 D503,409 S 3/2005 Wong et al.
 D513,611 S 1/2006 Hibi
 D516,579 S 3/2006 Nakamura
 7,013,164 B2 * 3/2006 Lin 455/557
 D518,290 S * 4/2006 Andre et al. D3/218
 D539,814 S 4/2007 Andre et al.
 7,230,822 B2 * 6/2007 Langberg et al. 361/679.23
 D565,596 S 4/2008 Kim
 D568,338 S 5/2008 Andre et al.
 D570,876 S 6/2008 Lee
 D575,304 S 8/2008 Andre et al.
 D588,610 S 3/2009 Andre et al.
 D589,510 S 3/2009 Wada
 D593,132 S 5/2009 Kim
 D595,339 S 6/2009 Oas
 D597,558 S 8/2009 Andre et al.
 D604,713 S 11/2009 Andre et al.
 D611,470 S 3/2010 Andre et al.

D622,696 S 8/2010 Akana et al.
 D631,032 S 1/2011 Lee
 D631,458 S 1/2011 Liao et al.
 D634,317 S 3/2011 Buckle et al.
 D636,752 S 4/2011 Liao et al.
 D638,030 S 5/2011 Akana et al.
 D652,403 S 1/2012 Fahlgren et al.
 D656,955 S 4/2012 Akana et al.
 D658,621 S 5/2012 Lylyk
 D667,387 S 9/2012 Andre et al.
 D672,329 S 12/2012 Fahlgren et al.
 D672,336 S 12/2012 Lister et al.
 D672,741 S 12/2012 Lylyk
 D673,926 S 1/2013 Fahlgren et al.
 D675,176 S 1/2013 Aarras
 D678,876 S * 3/2013 Andre et al. D14/341
 D681,056 S * 4/2013 Akana et al. D14/496

FOREIGN PATENT DOCUMENTS

CN 3562517 9/2006
 CN 300738882 1/2008

* cited by examiner

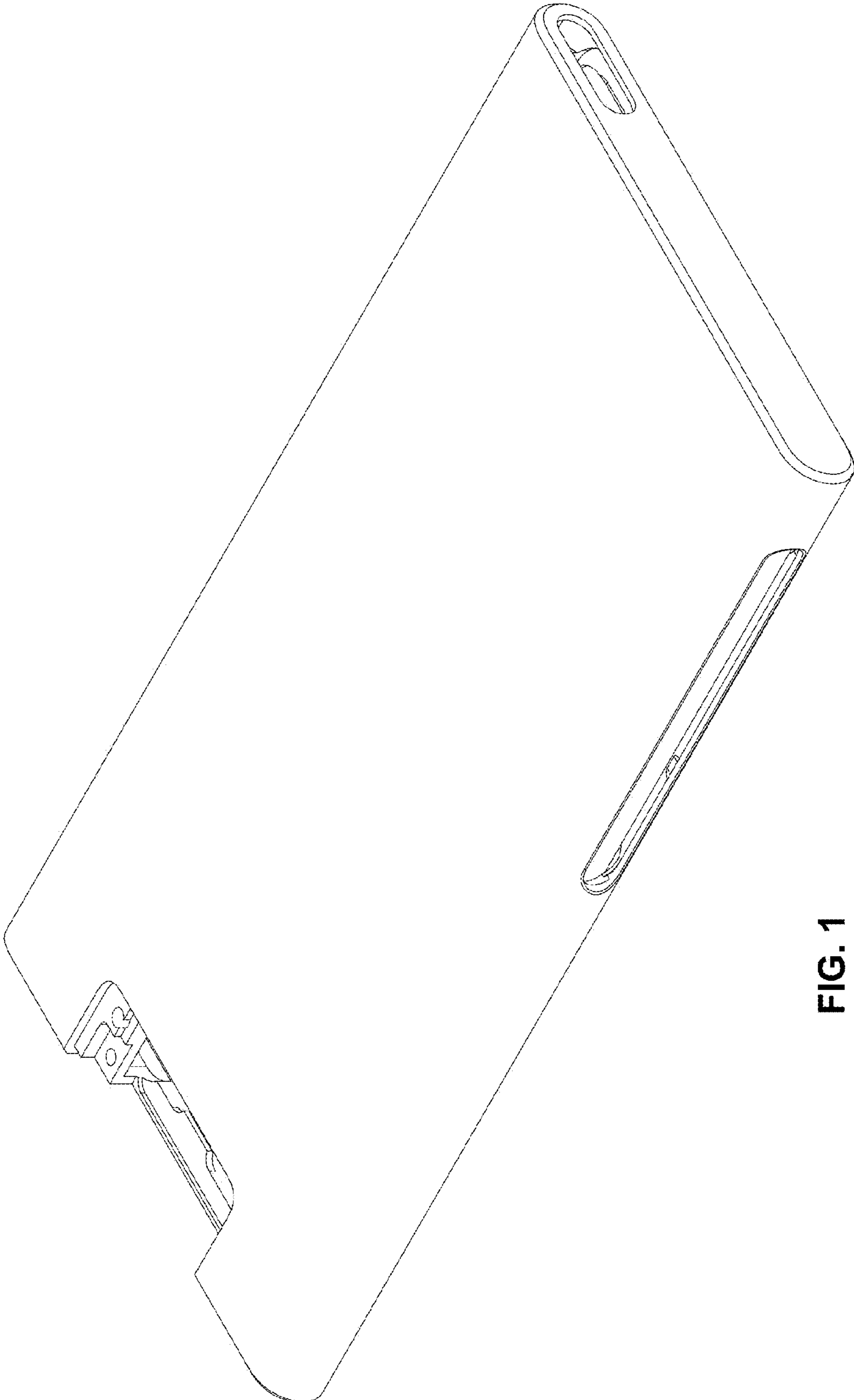


FIG. 1

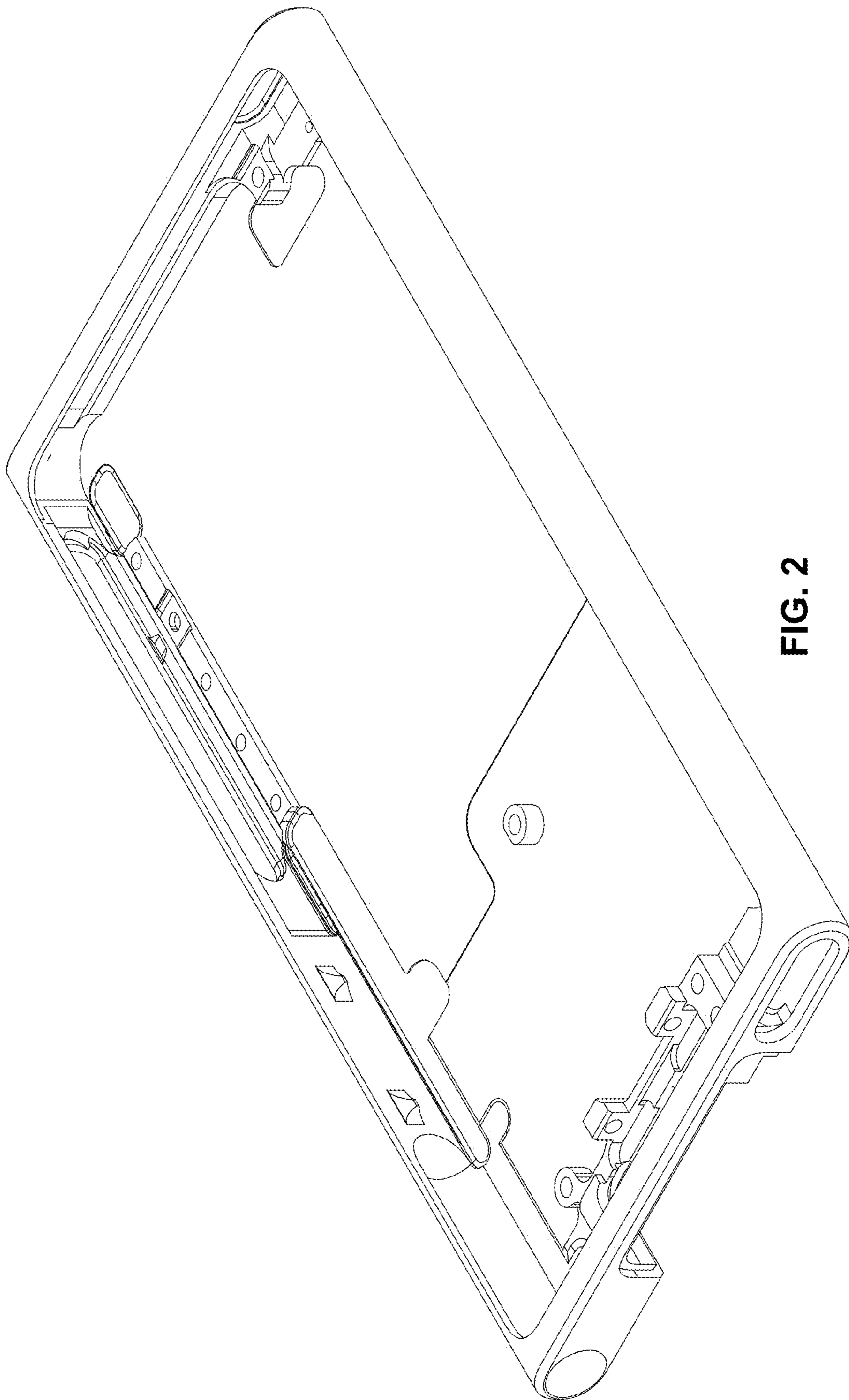


FIG. 2

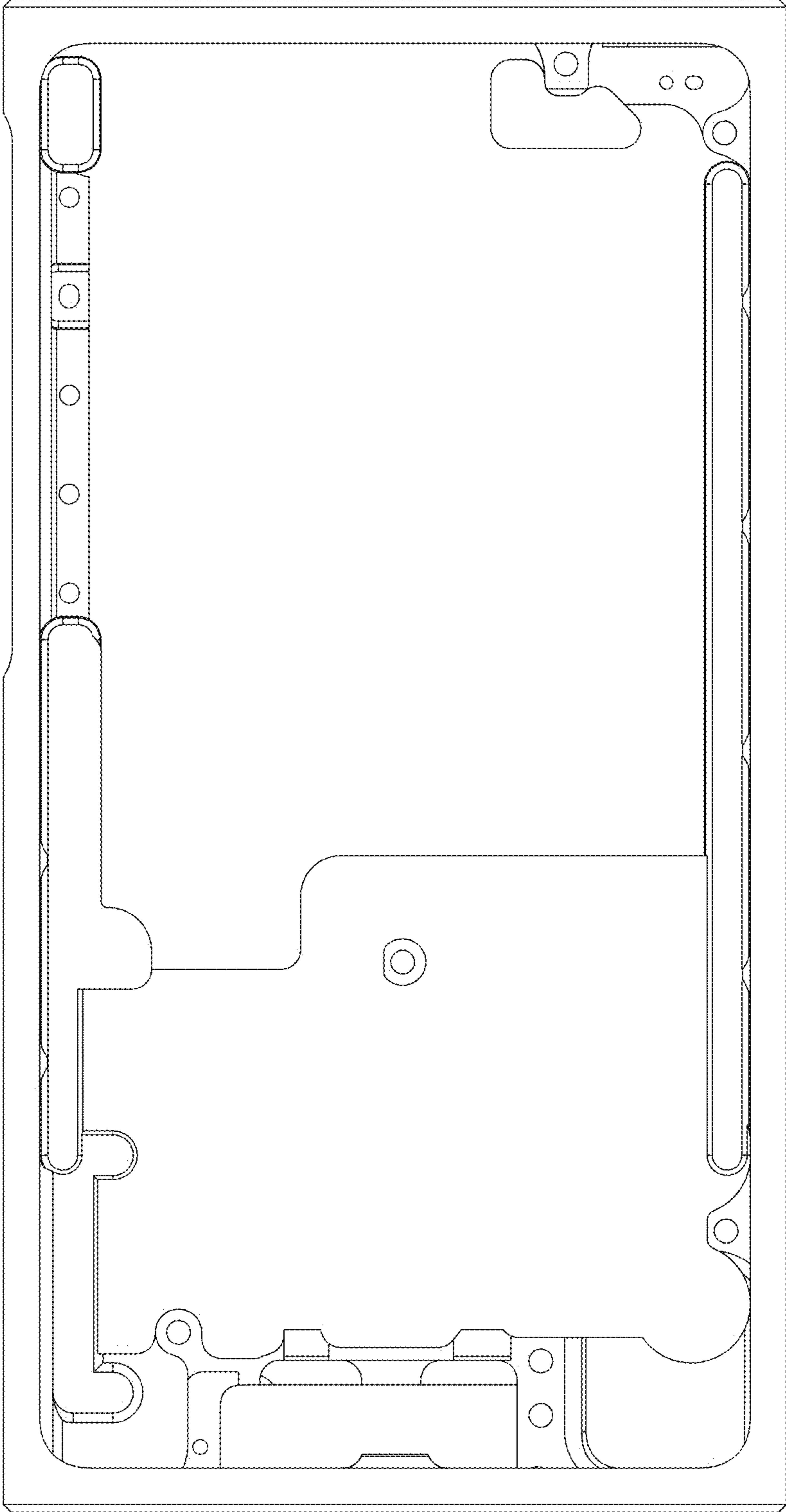


FIG. 3

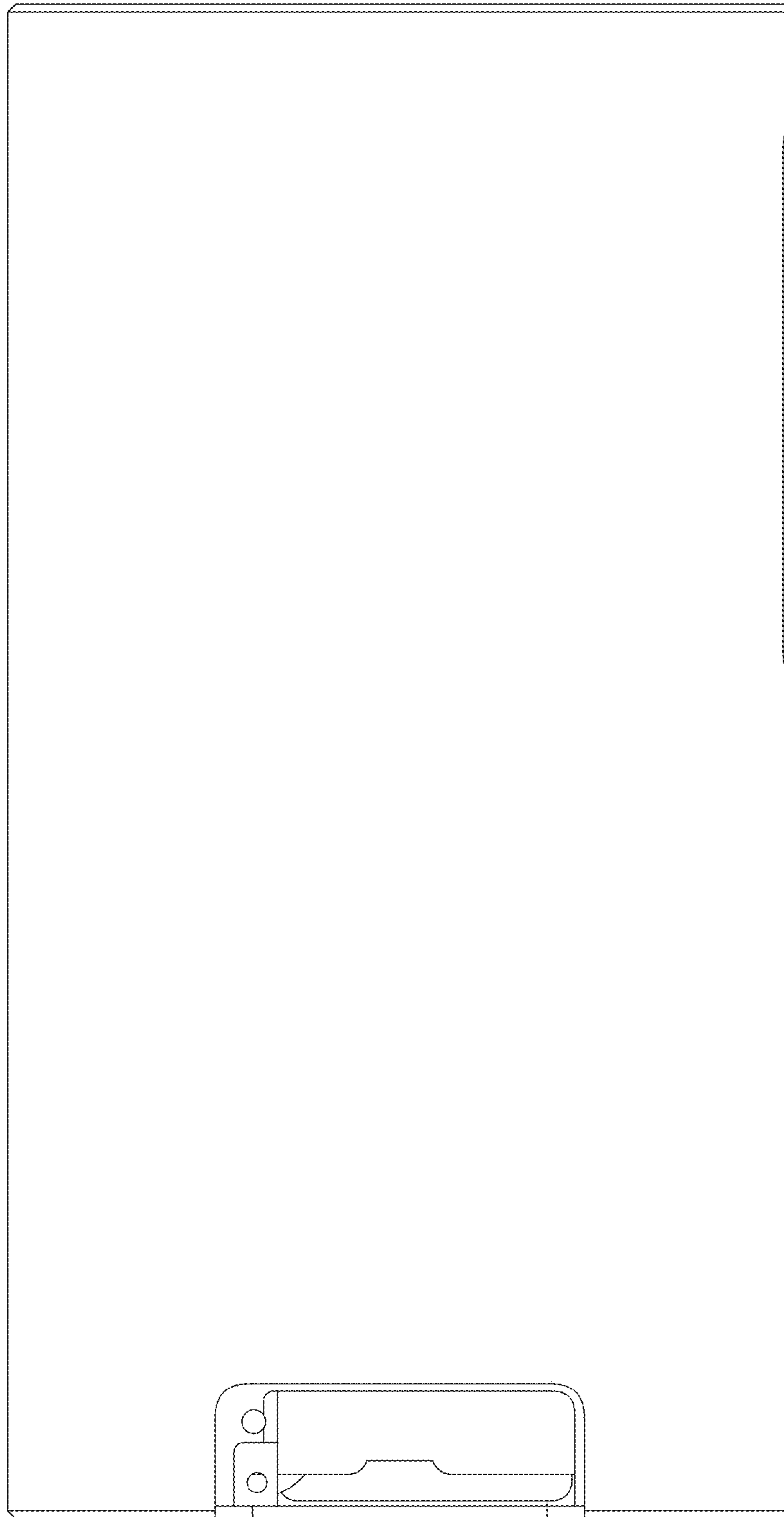


FIG. 4

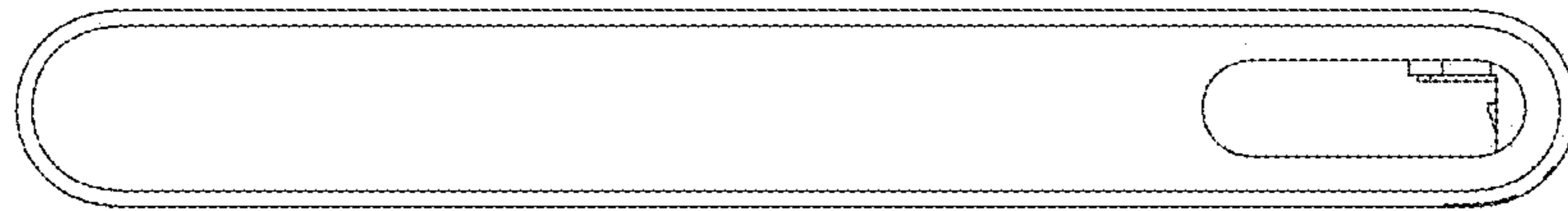


FIG. 5

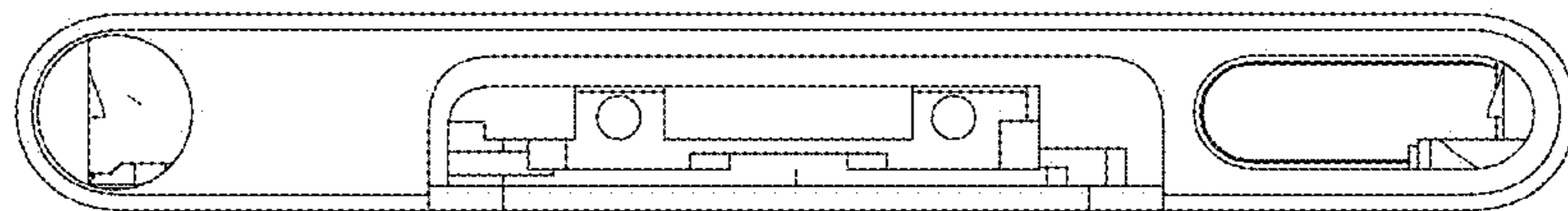


FIG. 6

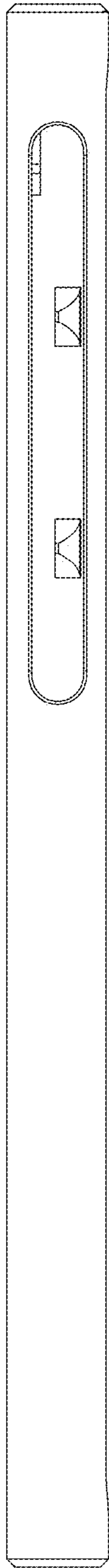


FIG. 7

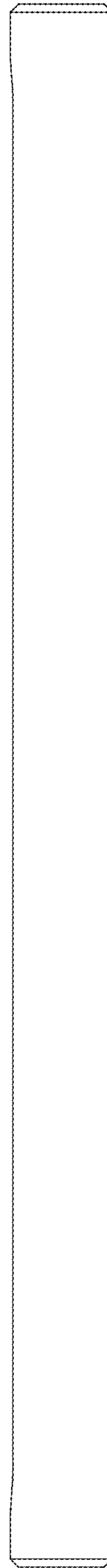


FIG. 8