

US00D695315S

(12) **United States Design Patent**  
**Baggio et al.**

(10) **Patent No.:** **US D695,315 S**

(45) **Date of Patent:** **\*\* Dec. 10, 2013**

(54) **TRANSMITTER APPARATUS**

(56) **References Cited**

(71) Applicant: **Controlled Entry Distributors, Inc.**,  
Salt Lake City, UT (US)

U.S. PATENT DOCUMENTS

(72) Inventors: **Marco Baggio**, Vittorio Veneto (IT);  
**Bradley C. Kofford**, Bountiful, UT (US)

5,880,721	A *	3/1999	Yen	725/81
5,938,619	A *	8/1999	Dogre Cuevas	600/549
6,111,977	A *	8/2000	Scott et al.	382/124
6,591,085	B1 *	7/2003	Grady	455/42
D483,281	S *	12/2003	Cobigo	D10/104.1
6,769,603	B2 *	8/2004	Nagai et al.	235/375
D514,118	S *	1/2006	Christianson	D14/496
D514,563	S *	2/2006	Kuramashi et al.	D14/358
D558,785	S *	1/2008	Kofford	D14/496
D572,269	S *	7/2008	Fullerton et al.	D14/496
D588,155	S *	3/2009	Fullerton	D14/496
D598,893	S *	8/2009	Asai	D14/188

(73) Assignee: **Controlled Entry Distributors, Inc.**,  
Salt Lake City, UT (US)

(\*\*) Term: **14 Years**

\* cited by examiner

(21) Appl. No.: **29/441,438**

*Primary Examiner* — Prabhakar Deshmukh

(22) Filed: **Jan. 4, 2013**

(74) *Attorney, Agent, or Firm* — Holland & Hart

(51) **LOC (9) Cl.** ..... **14-03**

(57) **CLAIM**

(52) **U.S. Cl.**  
USPC ..... **D14/496**

The ornamental design for a “transmitter apparatus,” as shown and described.

(58) **Field of Classification Search**

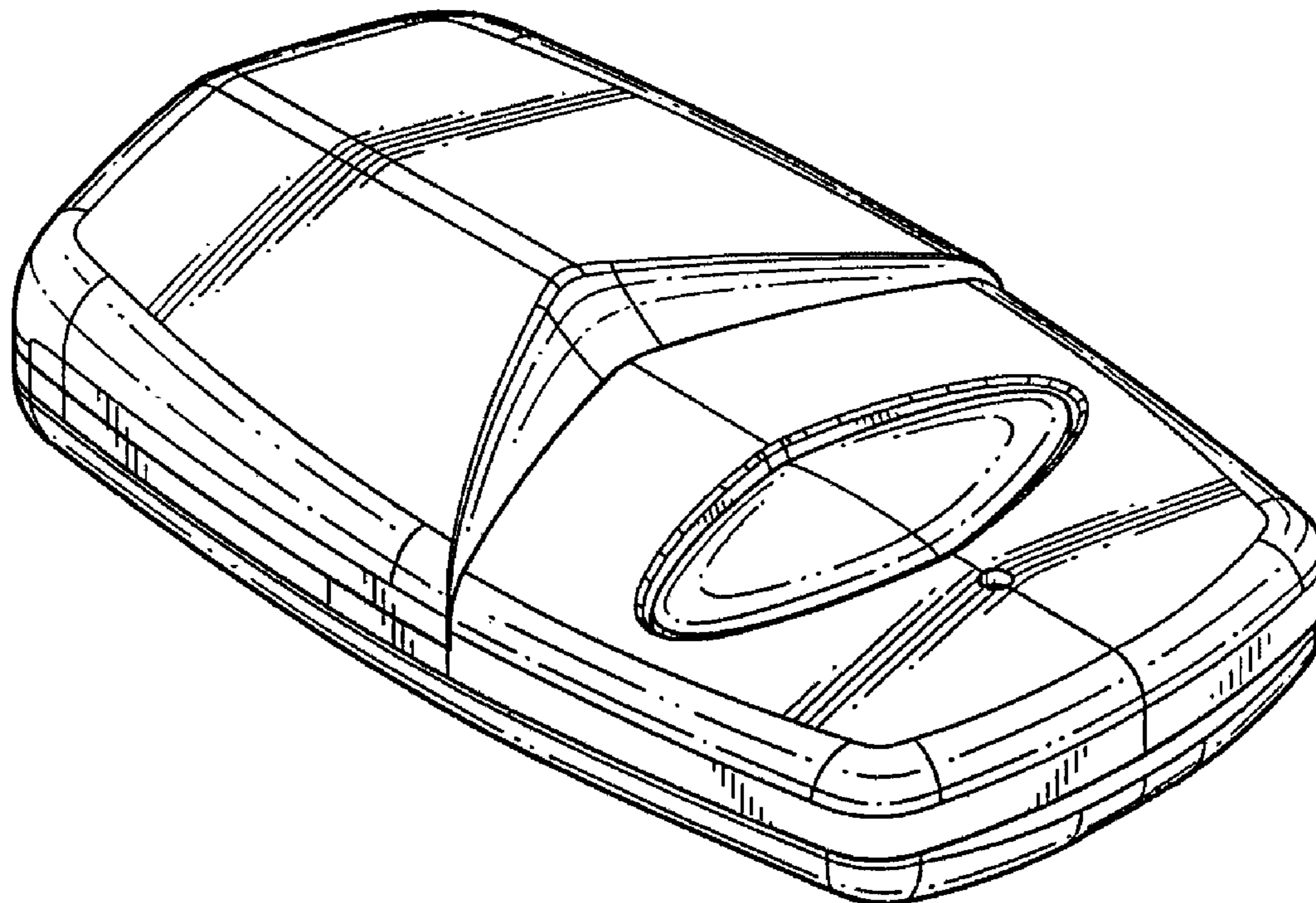
**DESCRIPTION**

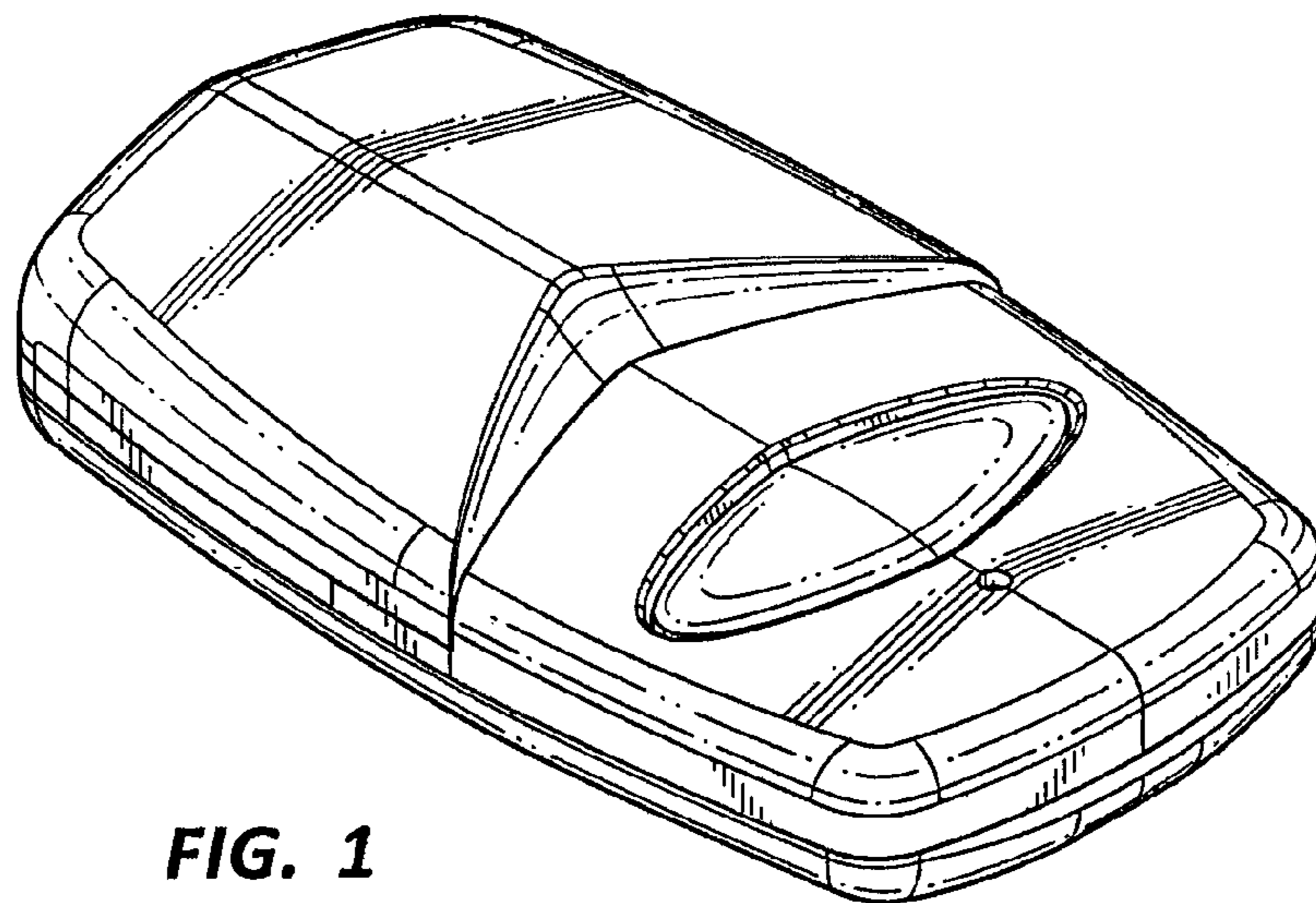
USPC ..... D14/496, 401, 435, 474, 483, 217, 137,  
D14/138, 160, 168, 356, 203.1–203.8, 507;  
345/156, 169, 173–179, 905;  
715/727–729, 864; 710/1, 5, 8; 713/1,  
713/600; 455/1.1, 1.7, 73, 344–347, 93, 95,  
455/3.01–3.06, 550.1, 573.1; 370/342–344;  
369/1, 2, 6–12; 463/43–47; 273/148 B

FIG. 1 is a top perspective view of a transmitter apparatus according to the present invention;  
FIG. 2 is a top view thereof;  
FIG. 3 is a bottom view thereof;  
FIG. 4 is a right side view, oriented vertically, thereof;  
FIG. 5 is a left side view, oriented vertically, thereof;  
FIG. 6 is a front view thereof; and,  
FIG. 7 is a rear view thereof.

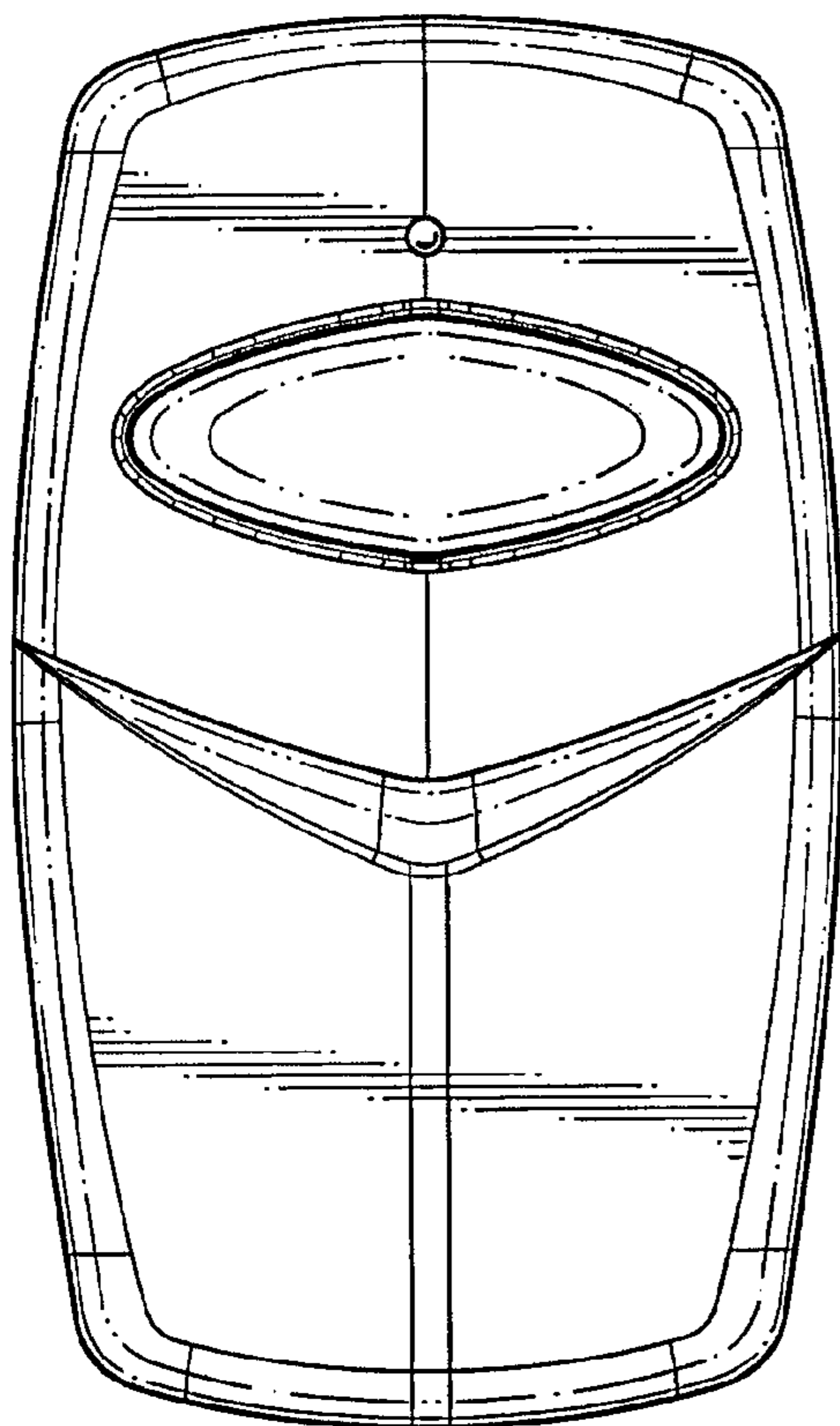
See application file for complete search history.

**1 Claim, 2 Drawing Sheets**

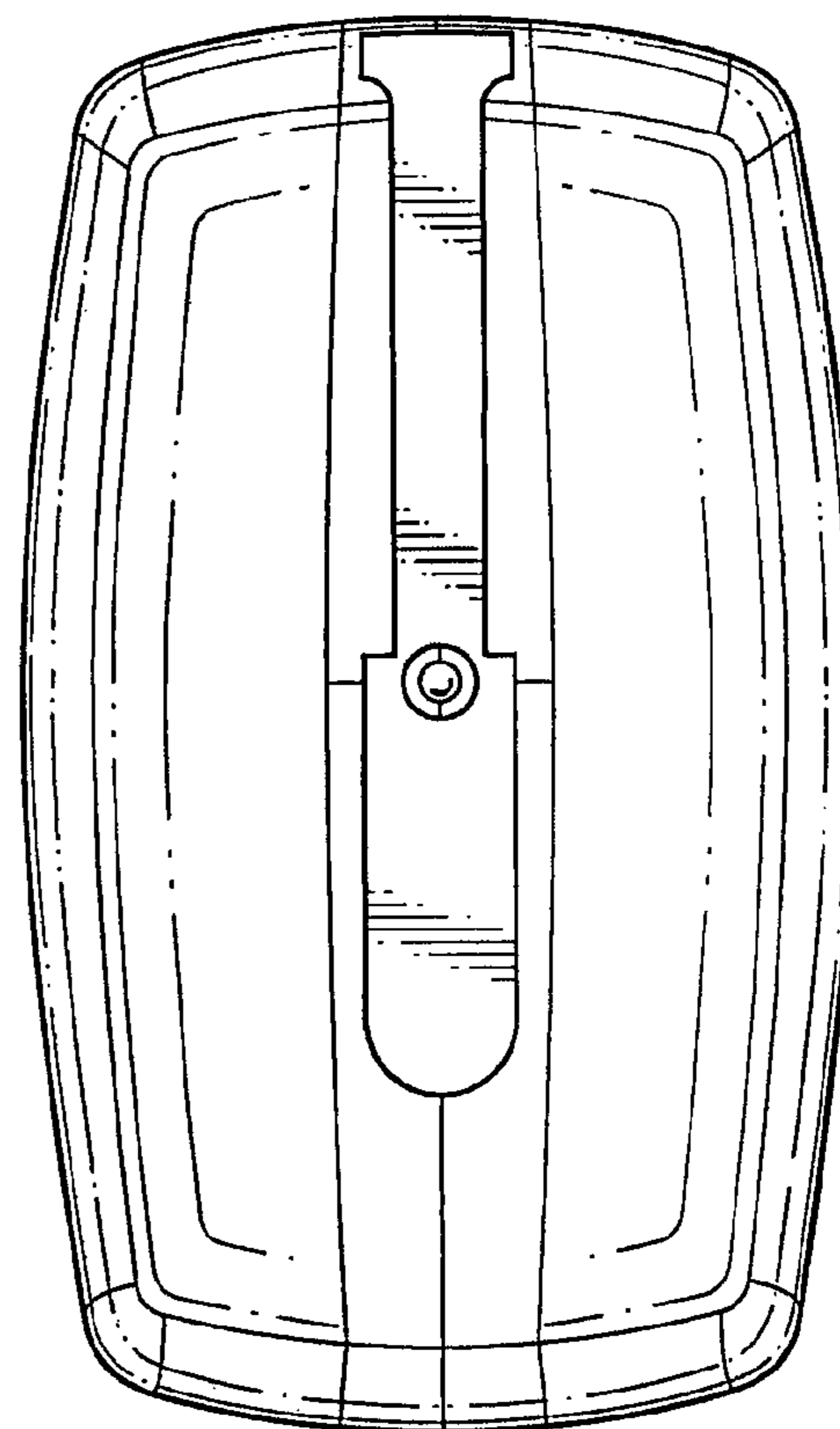




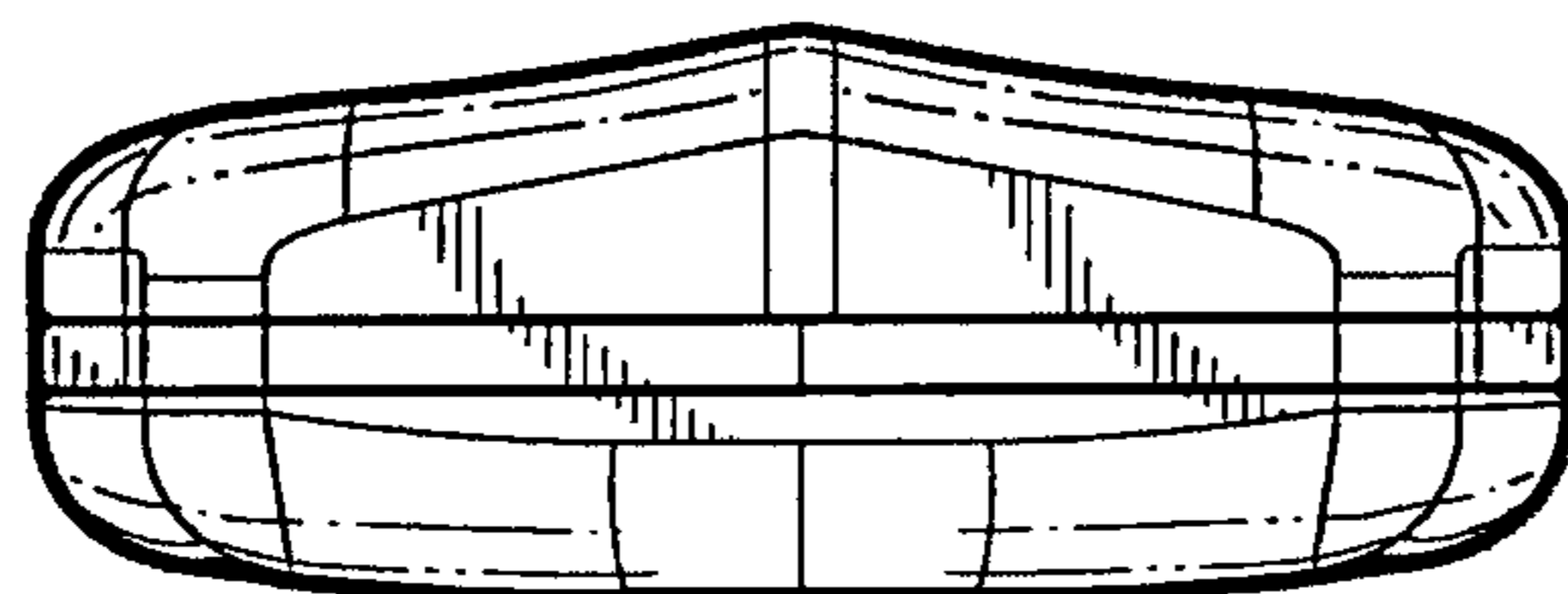
**FIG. 1**



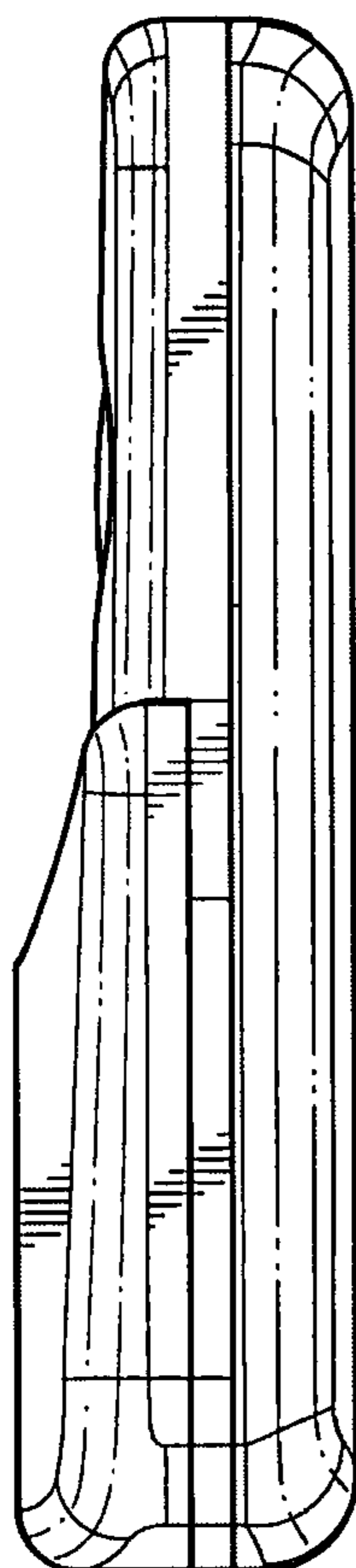
**FIG. 2**



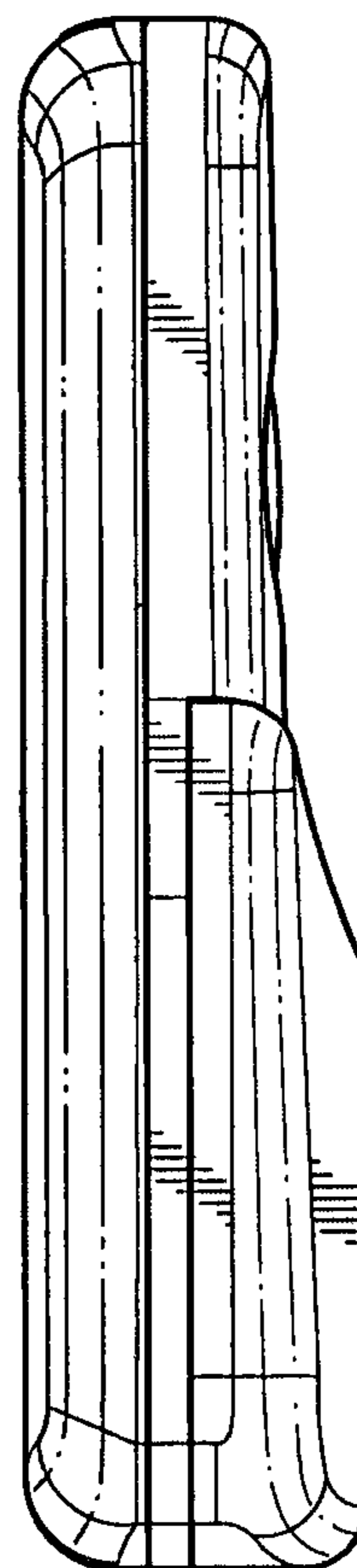
**FIG. 3**



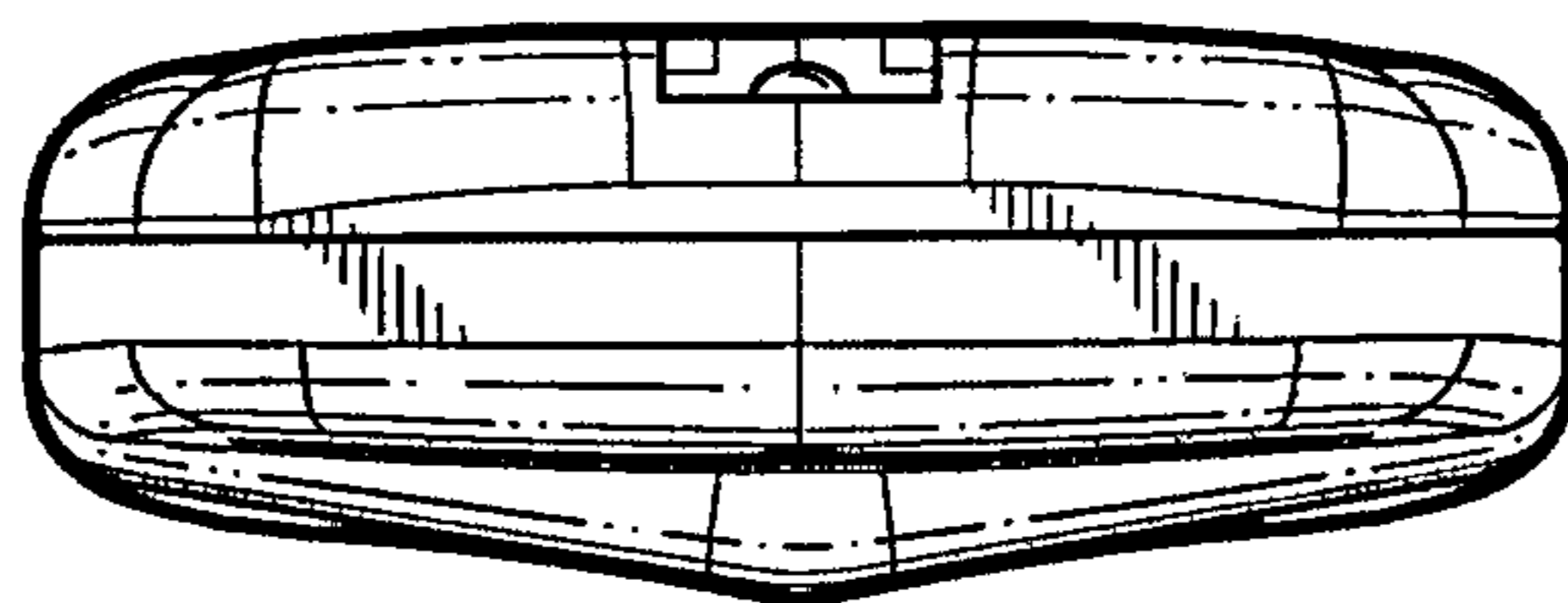
**FIG. 6**



**FIG. 4**



**FIG. 5**



**FIG. 7**