



US00D695299S

(12) **United States Design Patent**
Li

(10) **Patent No.:** **US D695,299 S**

(45) **Date of Patent:** **** Dec. 10, 2013**

(54) **DISPLAY BASE**

(71) Applicant: **AmTRAN Technology Co., Ltd**, New Taipei (TW)

(72) Inventor: **Yuan-Fu Li**, New Taipei (TW)

(73) Assignee: **AmTRAN Technology Co., Ltd.**, New Taipei (TW)

(**) Term: **14 Years**

(21) Appl. No.: **29/437,605**

(22) Filed: **Nov. 19, 2012**

(51) **LOC (9) Cl.** **08-07**

(52) **U.S. Cl.**
USPC **D14/451**

(58) **Field of Classification Search**
USPC D14/211, 238, 251, 253, 371-375,
D14/125-129, 336, 337, 447, 448, 451, 452,
D14/492; 341/12; 345/104, 156, 168, 173;
348/180, 184, 325, 739; 349/1, 2, 11,
349/62; 361/679.05-679.07, 679.21;
D6/300, 311-313, 308, 708

See application file for complete search history.

(56) **References Cited**

U.S. PATENT DOCUMENTS

D299,195 S * 1/1989 Frinier D6/487
D407,077 S * 3/1999 Shibata D14/374
D422,812 S * 4/2000 Thompson et al. D6/495
D460,298 S * 7/2002 Muggleton D6/495
D470,350 S * 2/2003 Muggleton D6/495

D484,337 S * 12/2003 Risdon et al. D6/495
D493,293 S * 7/2004 Vira D6/349
D525,974 S * 8/2006 Yu et al. D14/375
D552,383 S * 10/2007 Glebe D6/491
D683,735 S * 6/2013 Chang D14/451

* cited by examiner

Primary Examiner — Cathron C. Brooks

Assistant Examiner — Katie Mroczka

(74) *Attorney, Agent, or Firm* — Muncy, Geissler, Olds & Lowe, PLLC

(57) **CLAIM**

The ornamental design for a “display base,” as shown and described.

DESCRIPTION

FIG. 1 is a perspective view of display base showing my new design;

FIG. 2 is a front view thereof;

FIG. 3 is a rear view thereof;

FIG. 4 is a left side elevational view thereof;

FIG. 5 is a right side elevational view thereof;

FIG. 6 is a top view thereof;

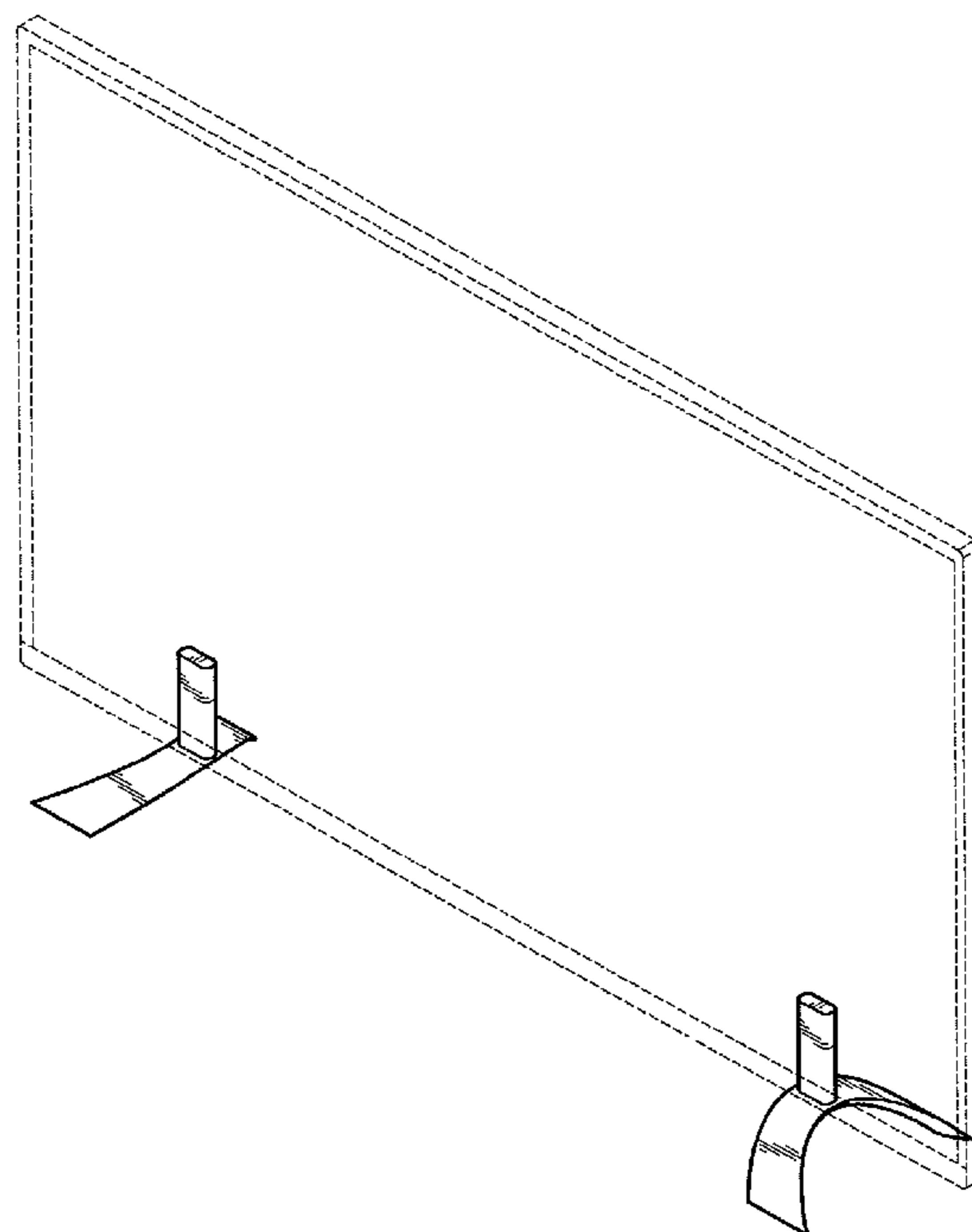
FIG. 7 is a bottom view thereof;

FIG. 8 is a reference perspective view showing the usage state of display base; and,

FIG. 9 is a reference side elevational view showing the usage state of display base.

The broken line showing of a display is for the purpose of illustrating environment, and forms no part of the claimed design.

1 Claim, 6 Drawing Sheets



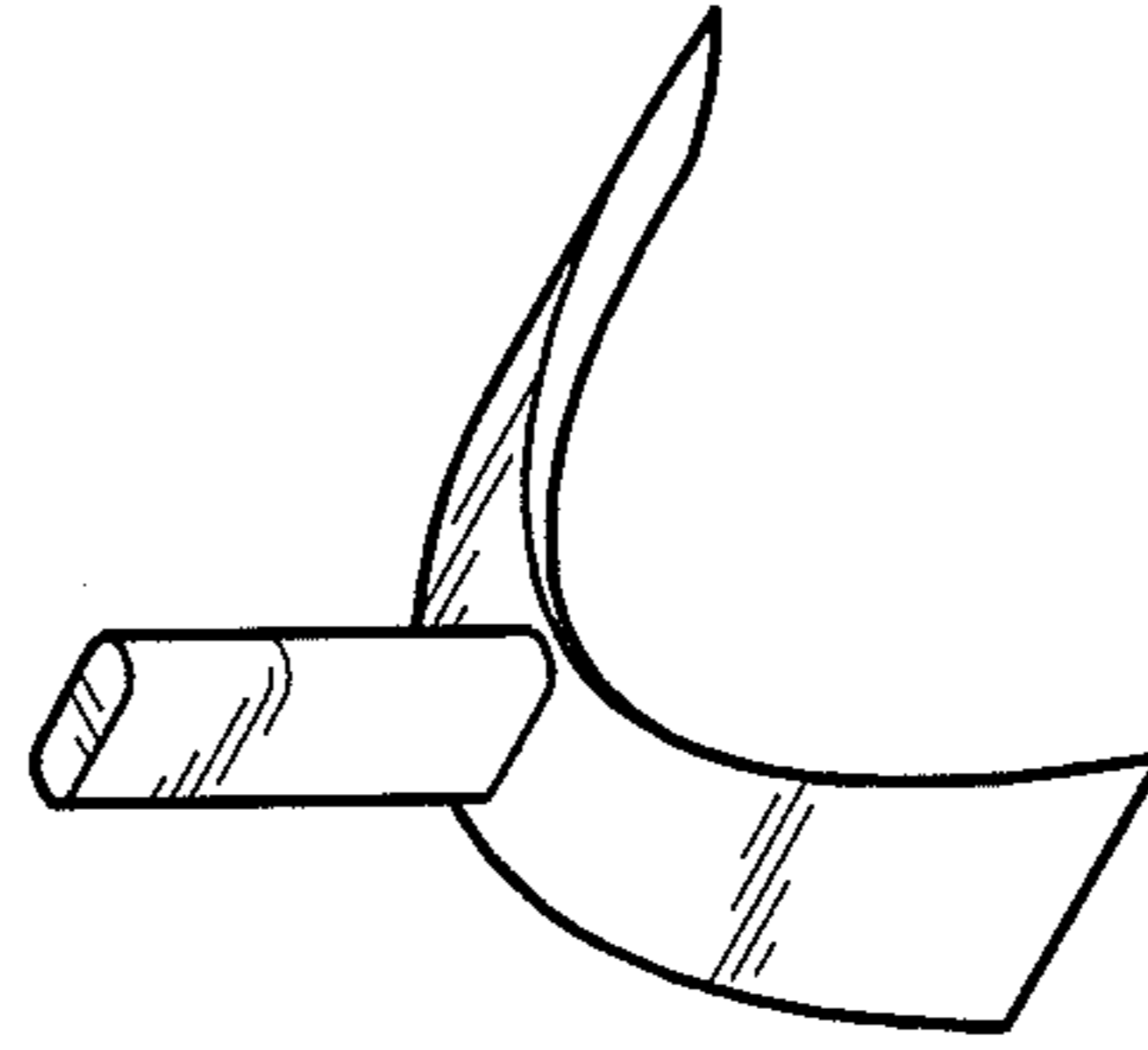
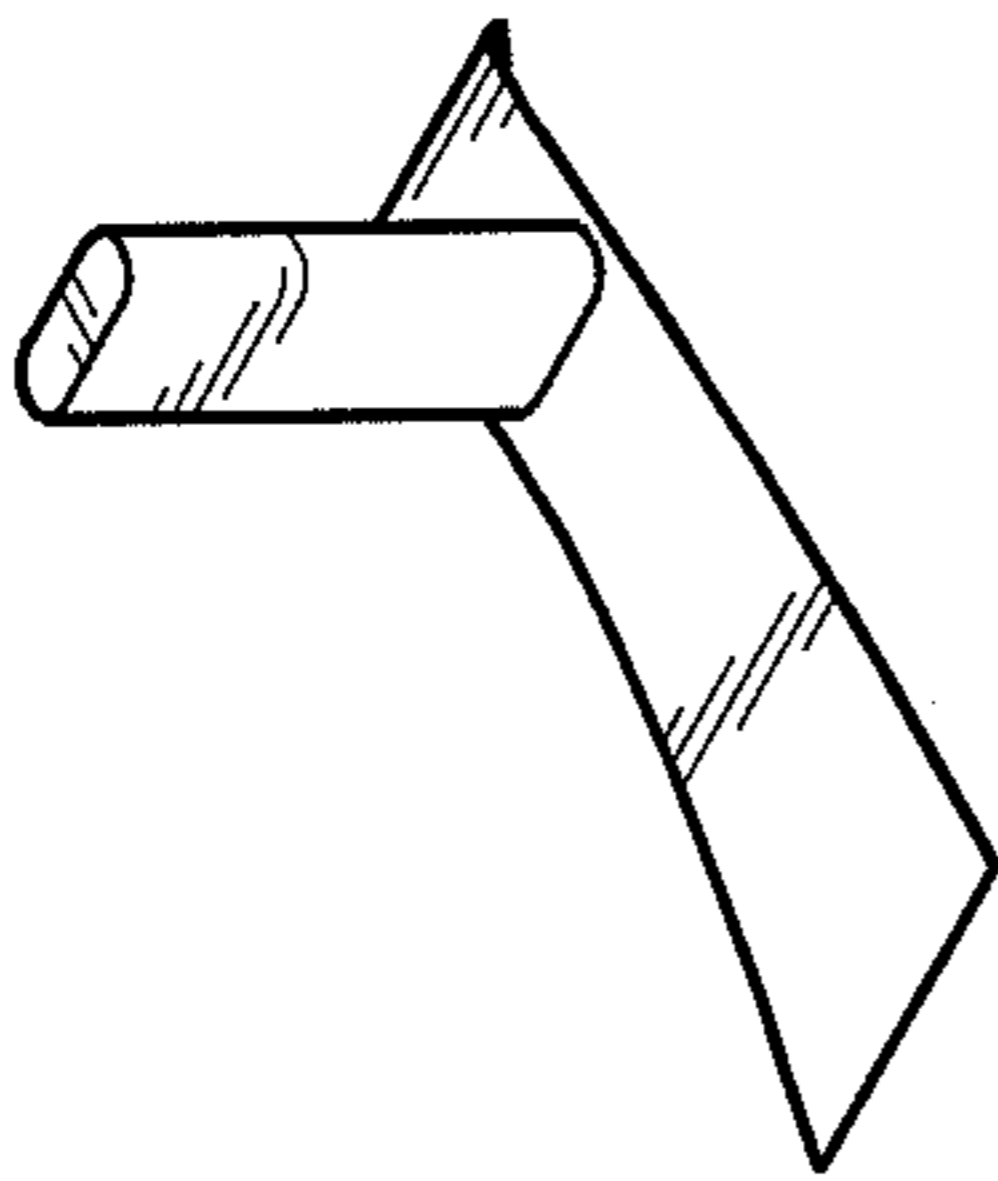


FIG.1



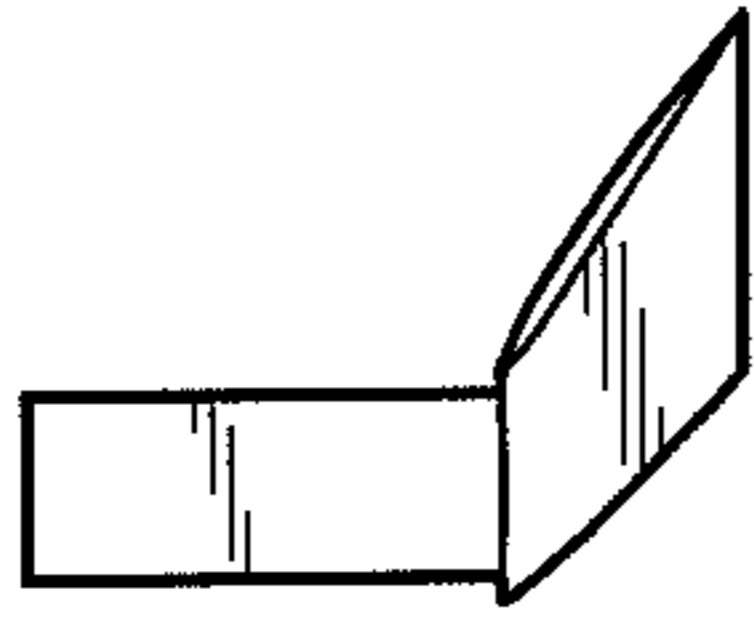


FIG. 2

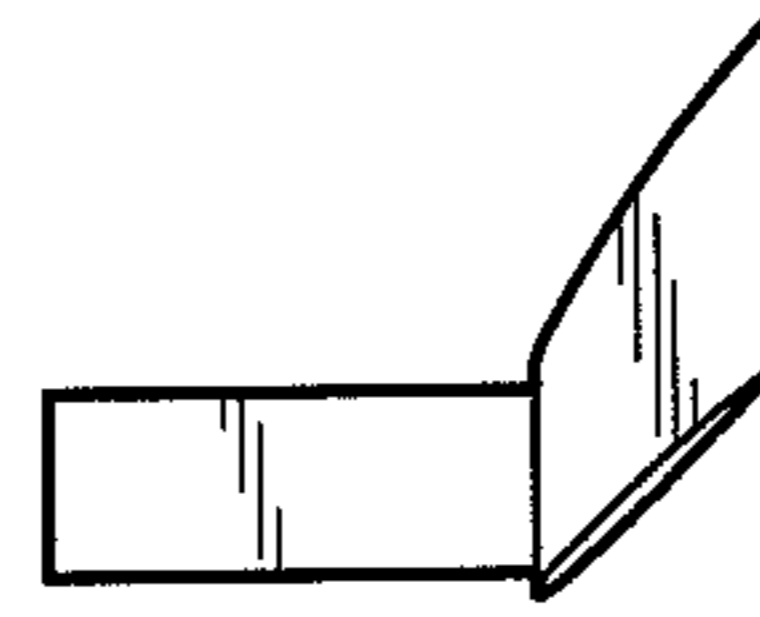
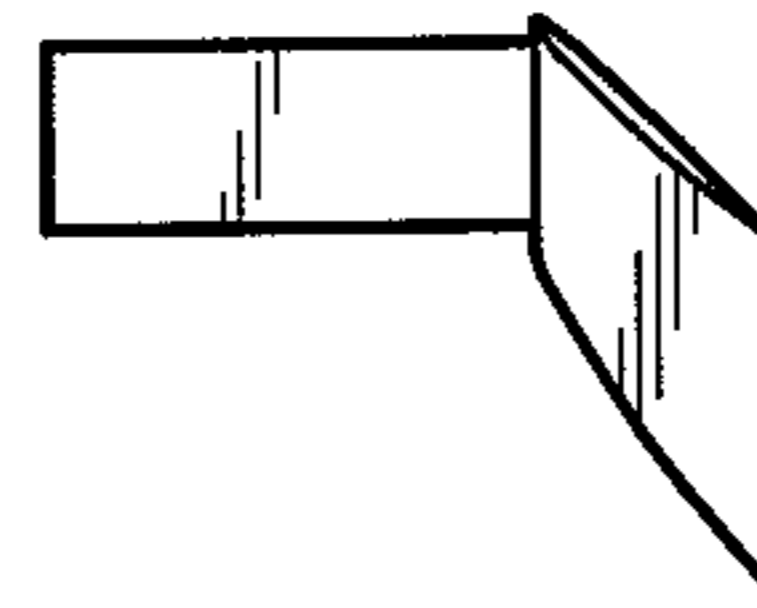
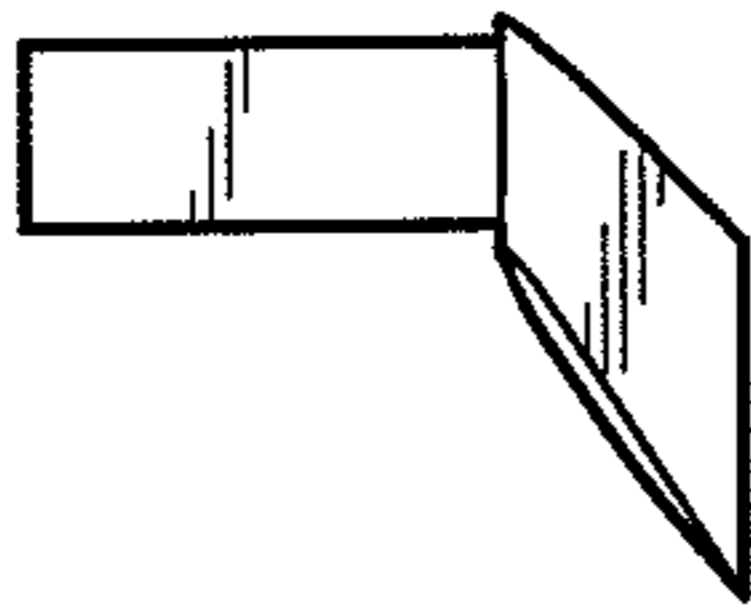


FIG. 3



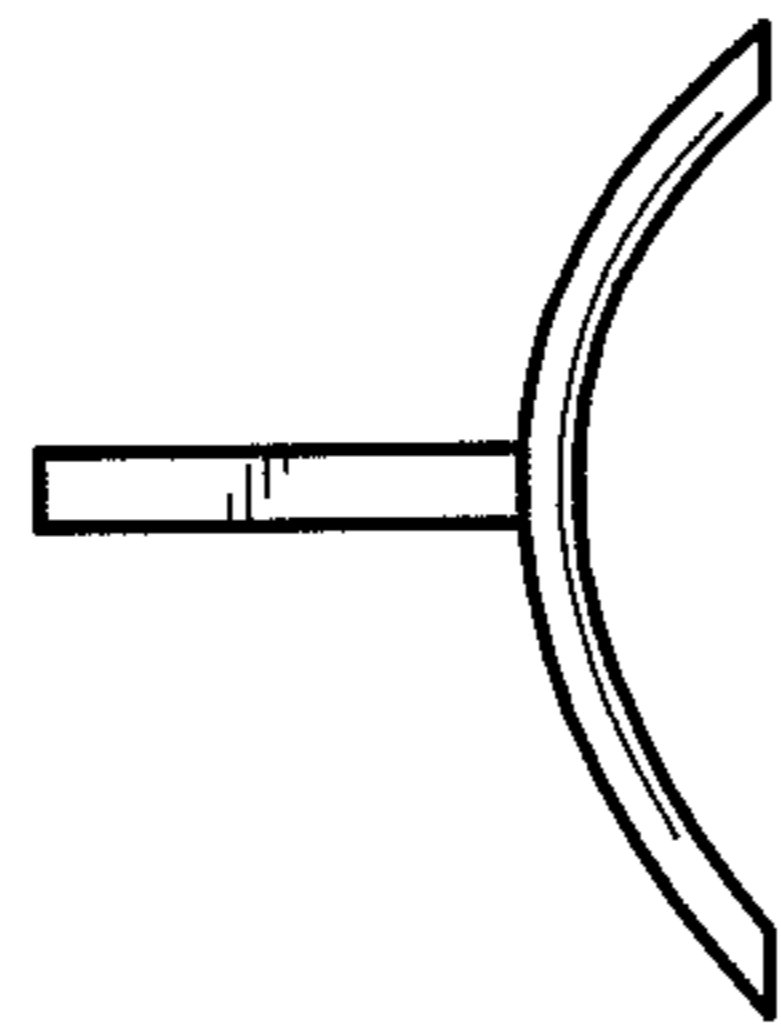


FIG. 5

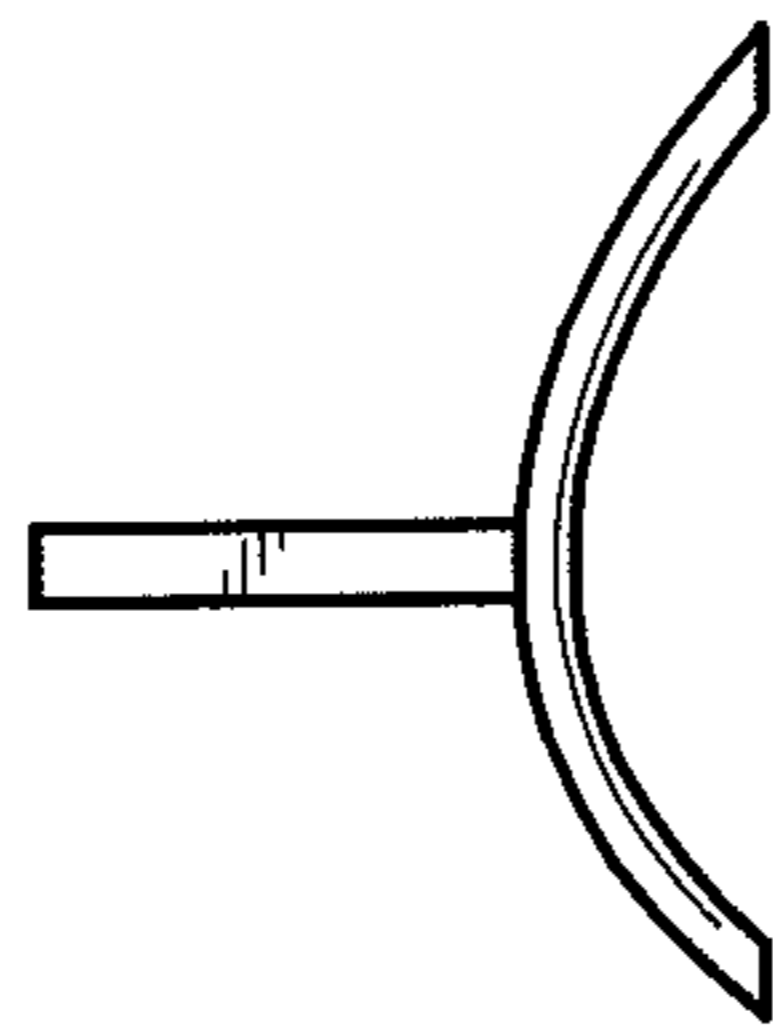


FIG. 4

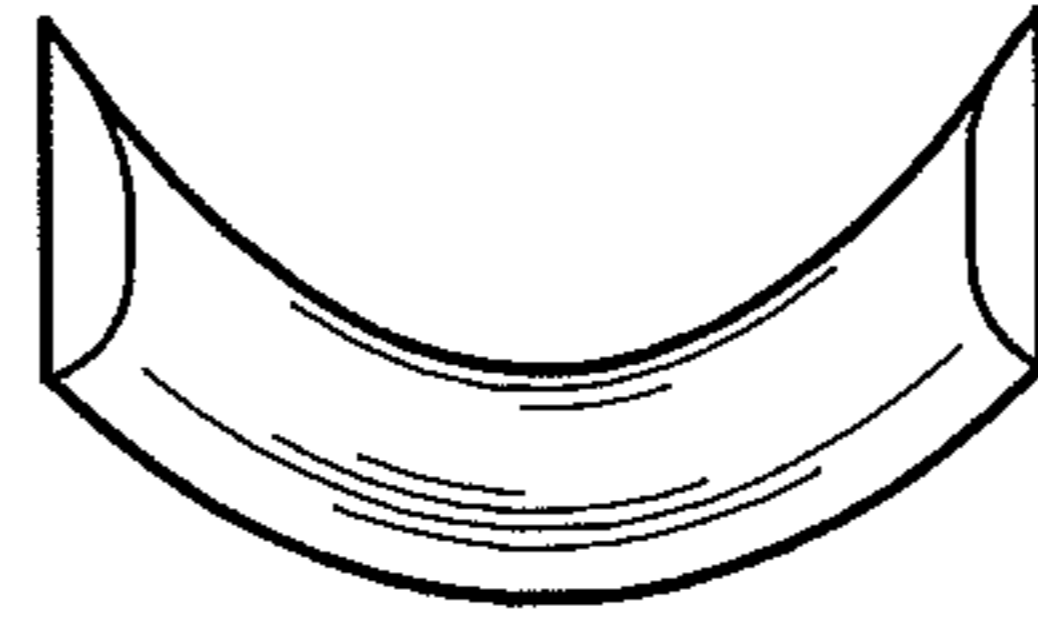
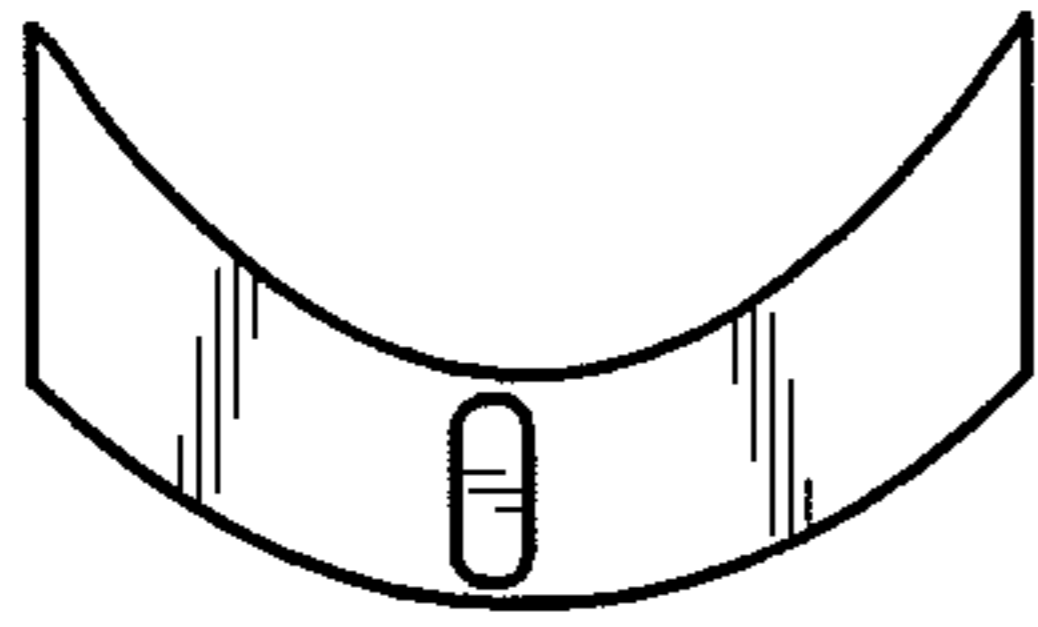
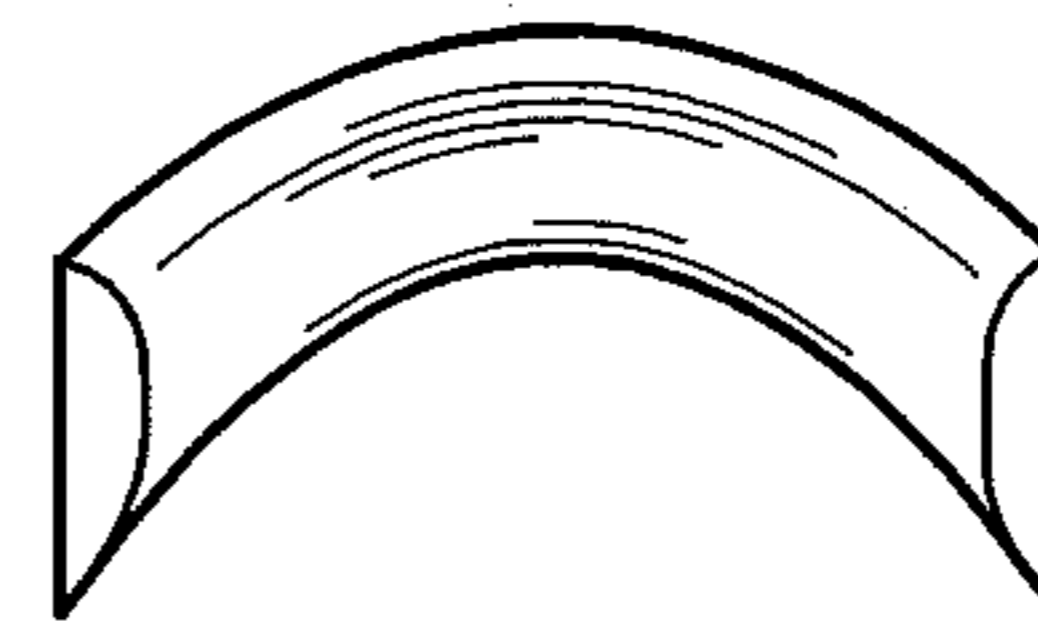
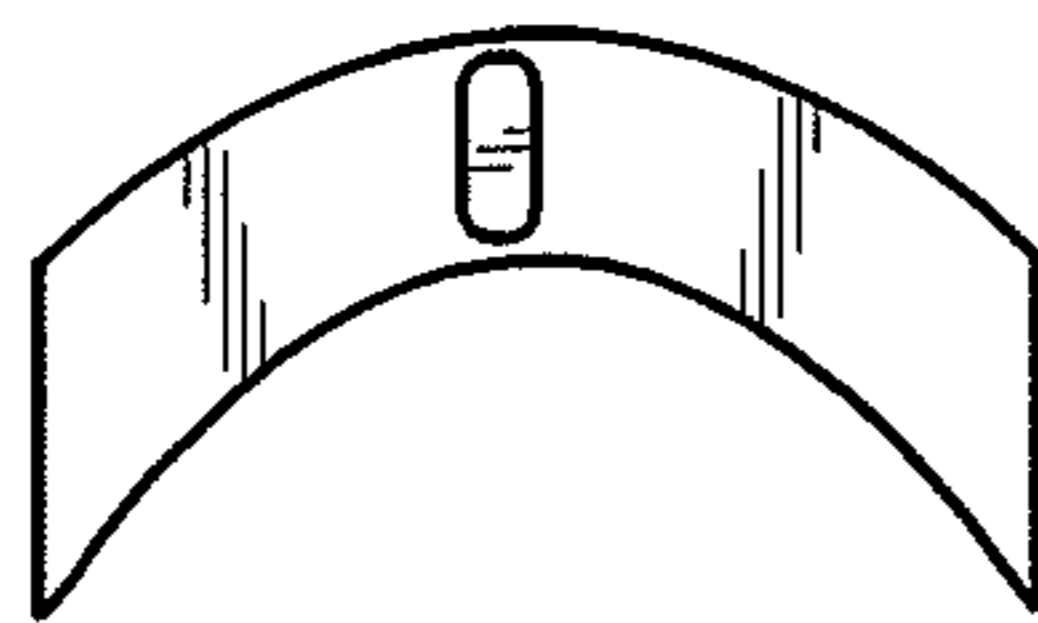


FIG. 6

FIG. 7



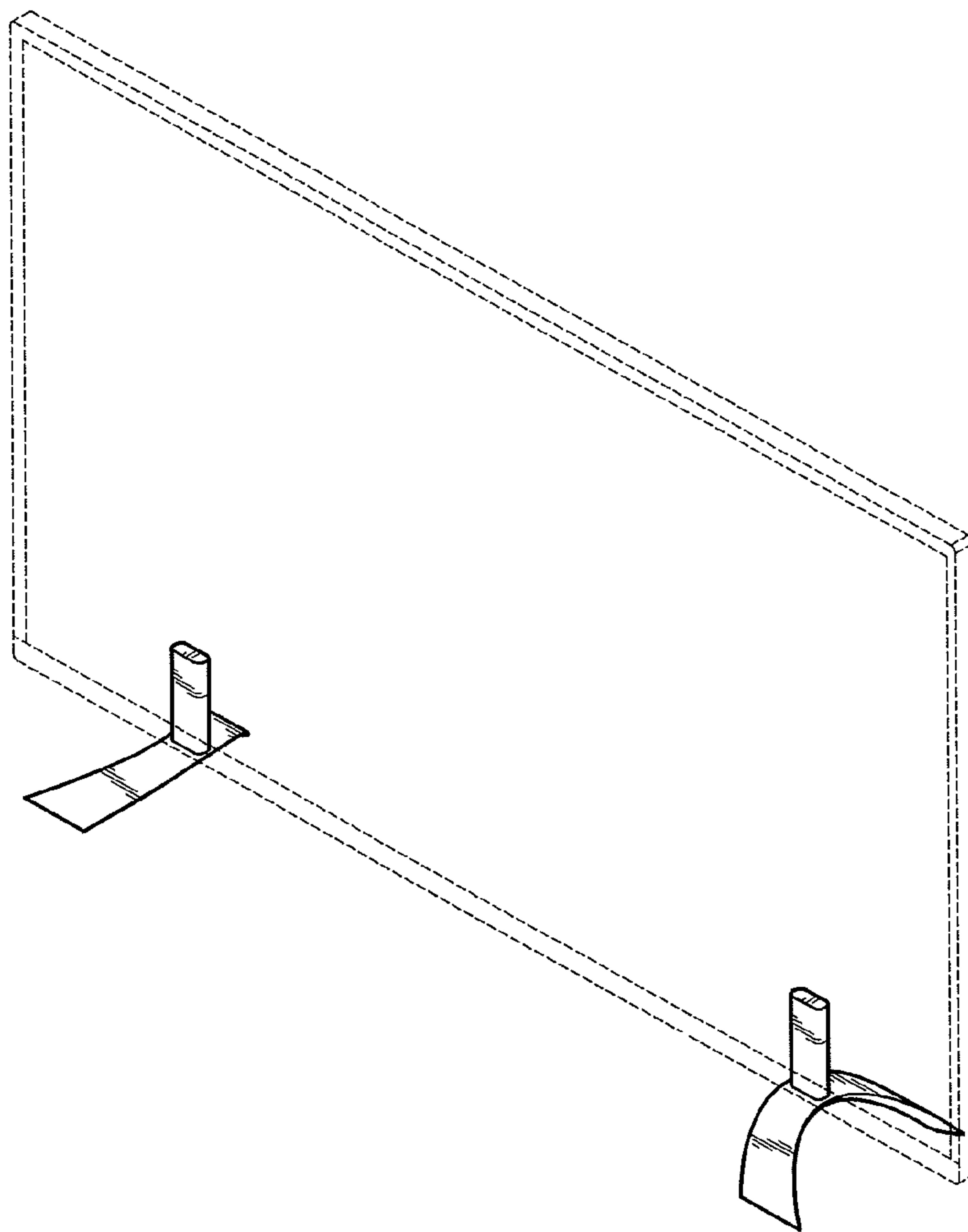


FIG.8

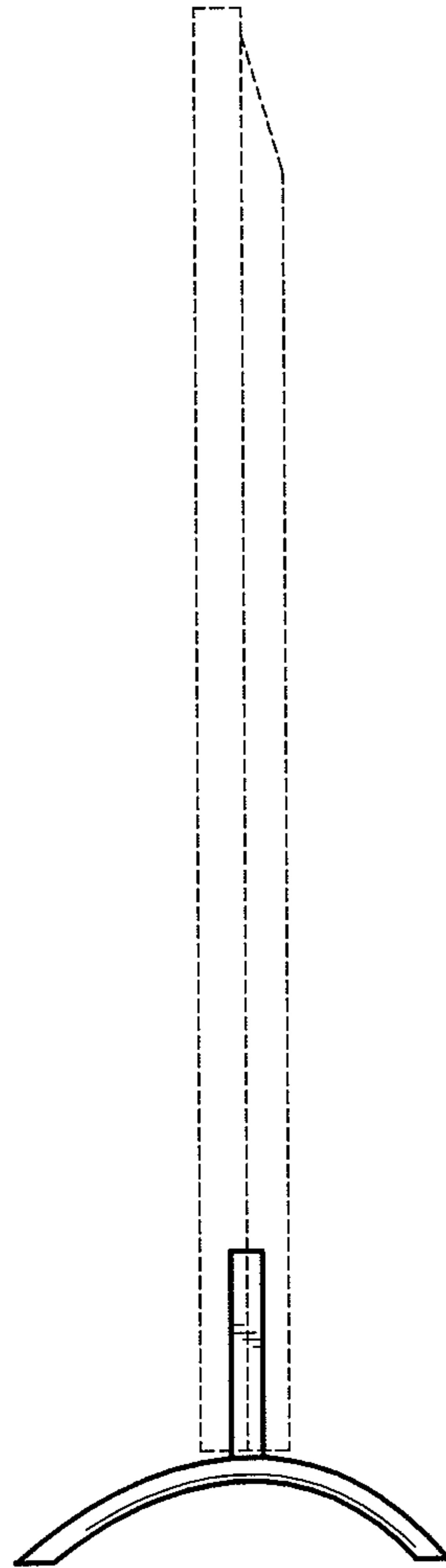


FIG.9