



US00D695298S

(12) **United States Design Patent**
Han et al.

(10) **Patent No.:** **US D695,298 S**

(45) **Date of Patent:** **** Dec. 10, 2013**

(54) **COVER FOR PORTABLE ELECTRONIC DEVICE**

(71) Applicant: **Samsung Electronics Co., Ltd.**,
Suwon-si (KR)

(72) Inventors: **Kim Han**, Namyangju-si (KR); **Sung Won-Kyu**, Seoul (KR)

(73) Assignee: **Samsung Electronics Co., Ltd.**,
Suwon-si (KR)

(**) Term: **14 Years**

(21) Appl. No.: **29/445,212**

(22) Filed: **Feb. 8, 2013**

(30) **Foreign Application Priority Data**

Aug. 29, 2012 (KR) 30-2012-0041611

(51) **LOC (9) Cl.** **14-02**

(52) **U.S. Cl.**
USPC **D14/440**

(58) **Field of Classification Search**

USPC D14/250, 251, 253, 240, 217, 496, 440,
D14/203.3, 203.4, 203.5, 203.8, 341, 318;
D3/218, 215, 201, 294, 289, 900;
220/4.02; 248/309.1; 361/679.56;
379/426, 433.11, 455; 455/575.1,
455/575.8; 190/100; 206/305, 320;
D21/469

See application file for complete search history.

(56) **References Cited**

U.S. PATENT DOCUMENTS

| | | | | | | |
|--------------|----|---|---------|----------------|-------|-----------|
| D469,438 | S | * | 1/2003 | Corrales | | D14/432 |
| 7,542,052 | B2 | * | 6/2009 | Solomon et al. | | 345/659 |
| D609,226 | S | * | 2/2010 | Hofer et al. | | D14/248 |
| 8,016,107 | B2 | * | 9/2011 | Emsky | | 206/320 |
| D646,266 | S | * | 10/2011 | Kim et al. | | D14/250 |
| D654,069 | S | * | 2/2012 | Kwon et al. | | D14/250 |
| 8,132,670 | B1 | * | 3/2012 | Chen | | 206/320 |
| D659,139 | S | * | 5/2012 | Gengler | | D14/392 |
| D662,503 | S | * | 6/2012 | Akana et al. | | D14/439 |
| D665,809 | S | * | 8/2012 | Wang et al. | | D14/439 |
| D673,958 | S | * | 1/2013 | Fathollahi | | D14/440 |
| D674,798 | S | * | 1/2013 | Kim et al. | | D14/440 |
| D675,210 | S | * | 1/2013 | Kim | | D14/440 |
| D675,624 | S | * | 2/2013 | Wibby et al. | | D14/440 |
| D677,667 | S | * | 3/2013 | Smith et al. | | D14/440 |
| D678,290 | S | * | 3/2013 | Smith et al. | | D14/440 |
| 2010/0289390 | A1 | * | 11/2010 | Kenney | | 312/223.1 |

* cited by examiner

Primary Examiner — Cynthia Underwood
(74) *Attorney, Agent, or Firm* — Ladas & Parry LLP

(57) **CLAIM**

We claim the ornamental design for a cover for portable electronic device, as shown.

DESCRIPTION

FIG. 1 is a front/right-side/top perspective view of a cover for portable electronic device showing our new design;
FIG. 2 is a front-side elevational view thereof;
FIG. 3 is a rear-side elevational view thereof;
FIG. 4 is a left-side elevational view thereof;
FIG. 5 is a right-side elevational view thereof;
FIG. 6 is a top-side elevational view thereof;
FIG. 7 is a bottom-side elevational view thereof; and,
FIG. 8 is a bottom perspective view thereof.

1 Claim, 5 Drawing Sheets

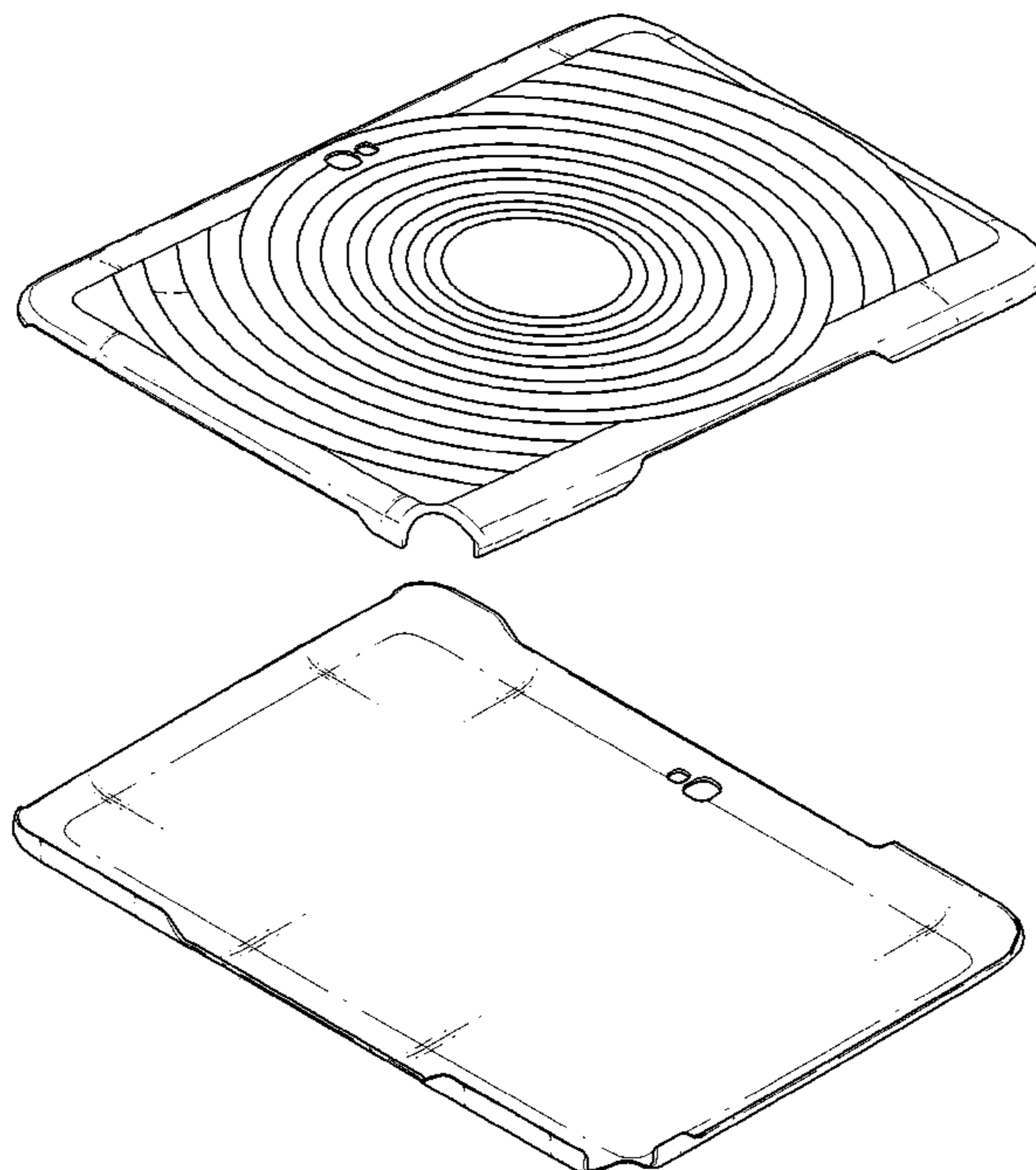


FIG. 1

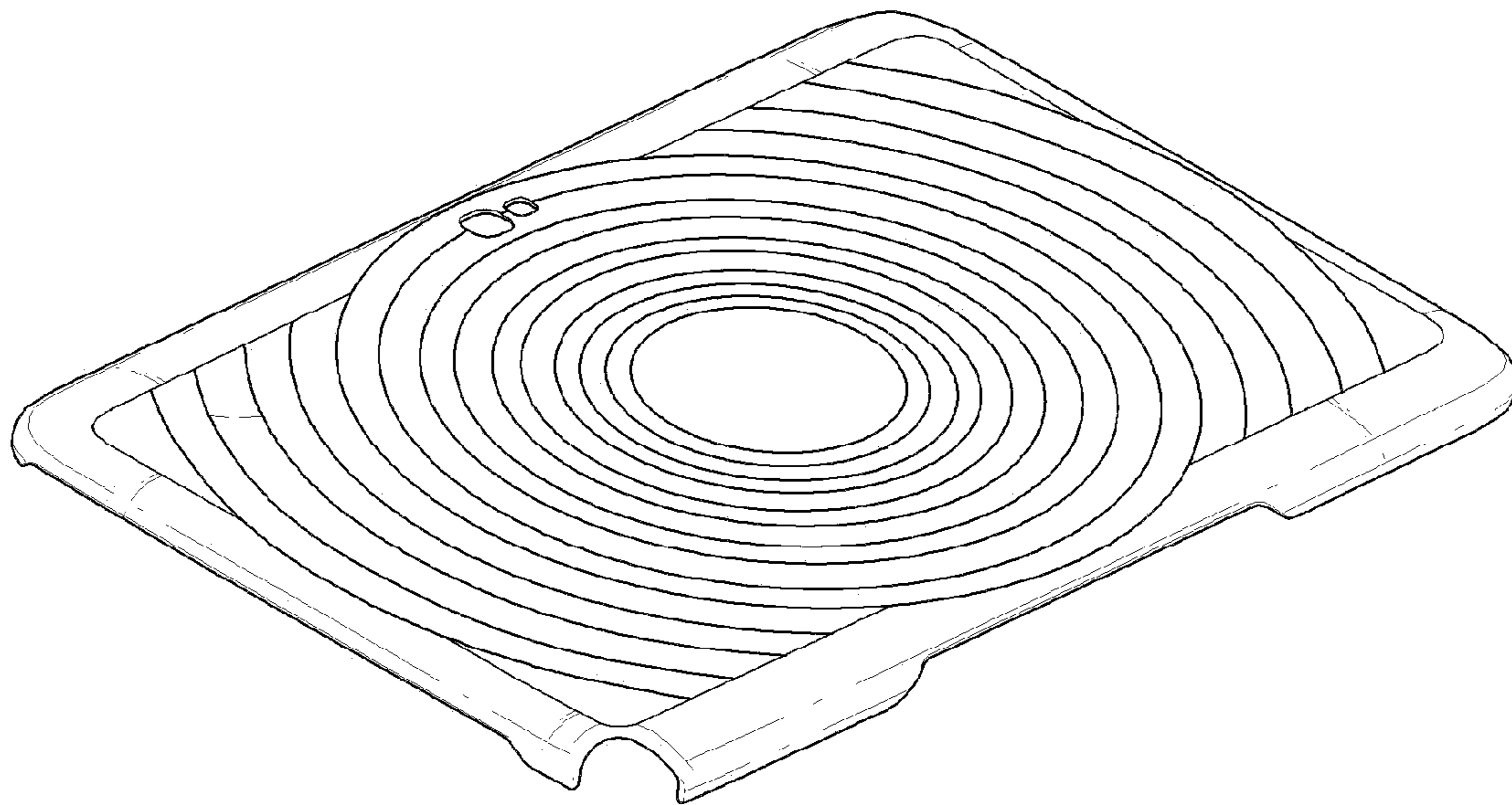


FIG. 2

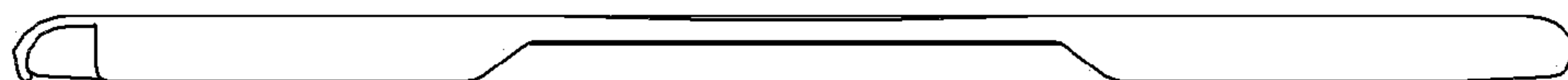


FIG. 3

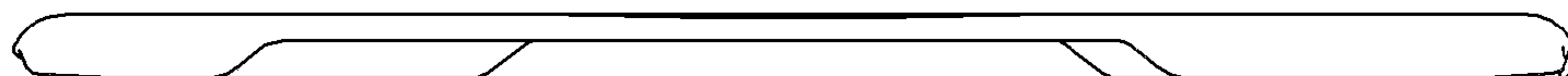


FIG. 4

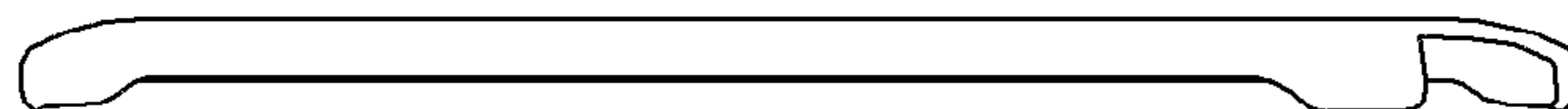


FIG. 5

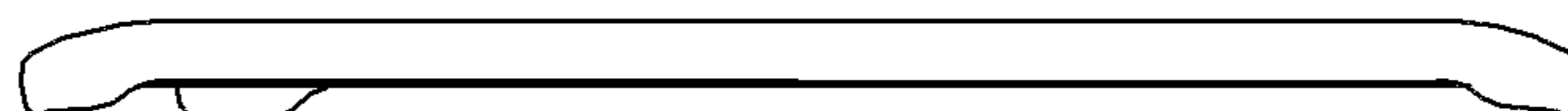


FIG. 6

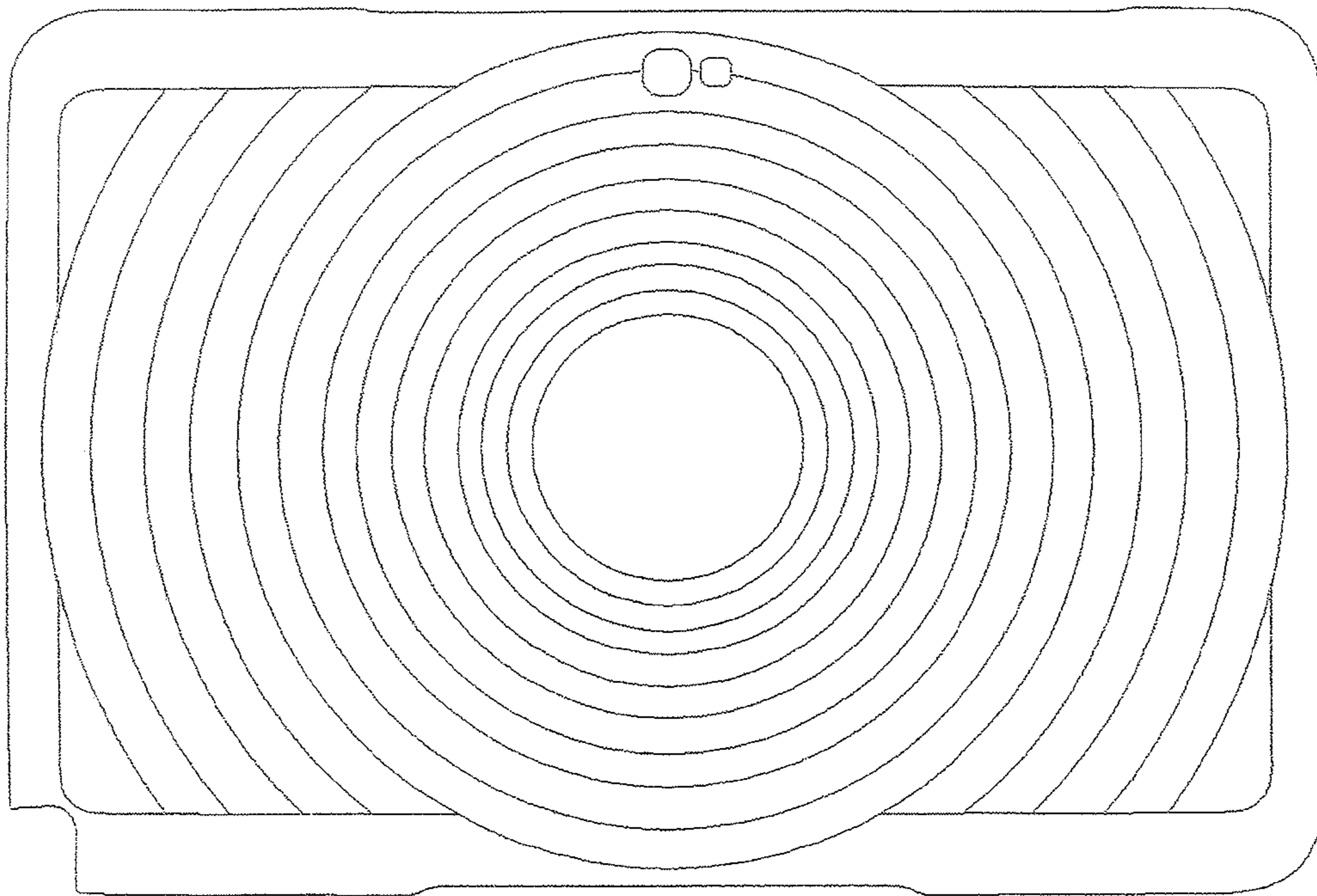


FIG. 7

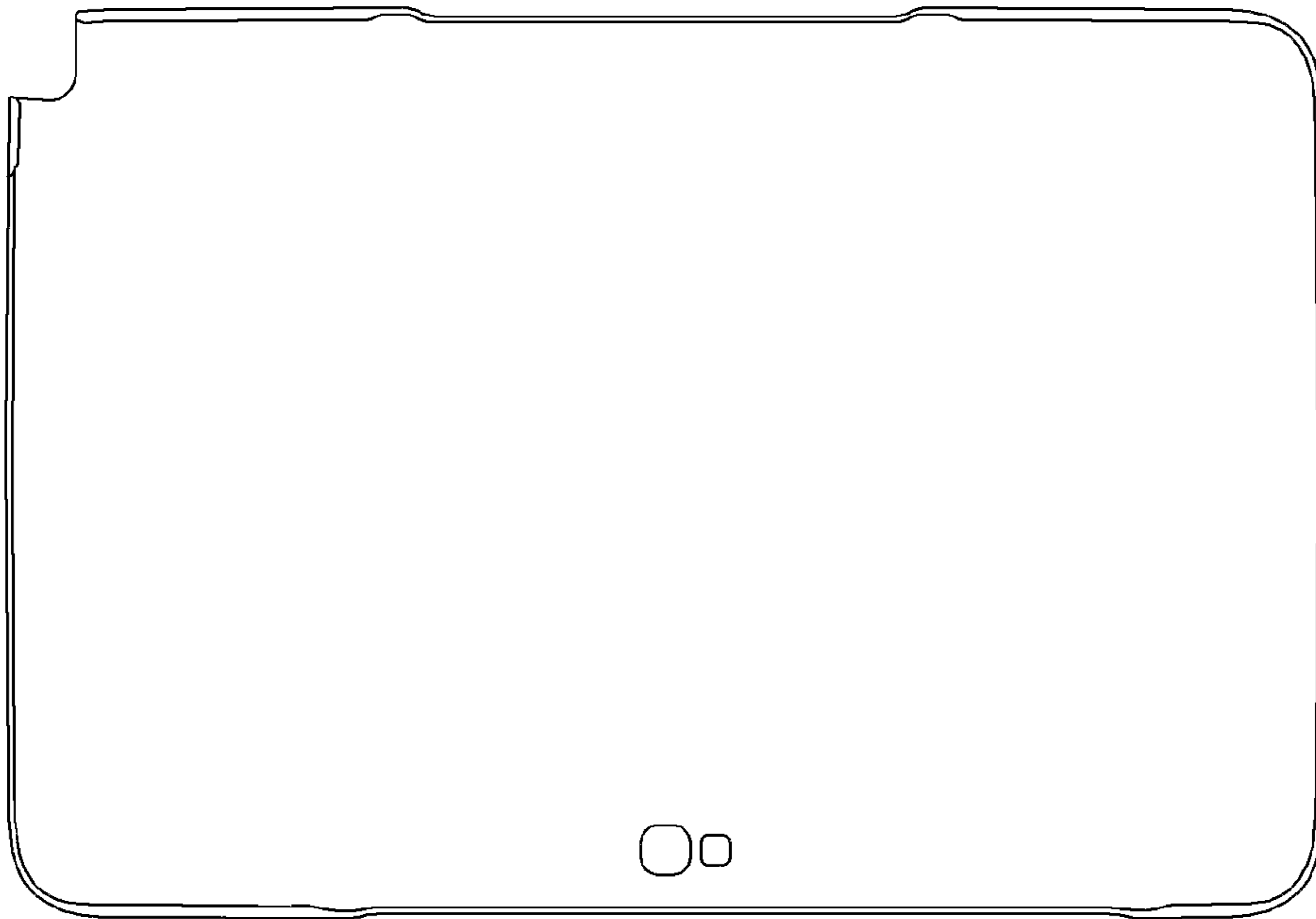


FIG. 8

