



US00D695297S

(12) **United States Design Patent**  
**Sun et al.**

(10) **Patent No.:** **US D695,297 S**

(45) **Date of Patent:** **\*\* Dec. 10, 2013**

(54) **CASE FOR ELECTRONIC DEVICE**

(71) Applicants: **Hsiao Lu Sun**, Fort Collins, CO (US);  
**Nathan Northrup**, Fort Collins, CO (US)

(72) Inventors: **Hsiao Lu Sun**, Fort Collins, CO (US);  
**Nathan Northrup**, Fort Collins, CO (US)

(73) Assignee: **Otter Products, LLC**, Fort Collins, CO (US)

(\*\*) Term: **14 Years**

(21) Appl. No.: **29/440,846**

(22) Filed: **Dec. 27, 2012**

(51) **LOC (9) Cl.** ..... **14-02**

(52) **U.S. Cl.**  
USPC ..... **D14/440**

(58) **Field of Classification Search**

USPC ..... D14/250, 251, 253, 240, 217, 496, 440,  
D14/203.3, 203.4, 203.5, 203.8, 341, 318;  
D3/218, 215, 201, 294, 289, 900;  
220/4.02; 248/309.1; 361/679.56;  
379/426, 433.11, 455; 455/575.1,  
455/575.8; 190/100; 206/305, 320;  
D21/469

See application file for complete search history.

(56) **References Cited**

**U.S. PATENT DOCUMENTS**

D581,155 S	11/2008	Richardson et al.	
D587,008 S	2/2009	Richardson et al.	
D589,016 S	3/2009	Richardson et al.	
D593,746 S	6/2009	Richardson et al.	
D597,301 S	8/2009	Richardson et al.	
D603,602 S	11/2009	Richardson et al.	
D605,850 S	12/2009	Richardson et al.	
D613,282 S	4/2010	Richardson et al.	
D615,077 S *	5/2010	Richardson et al.	..... D14/250
D615,535 S	5/2010	Richardson et al.	

D617,784 S	6/2010	Richardson et al.	
D621,395 S *	8/2010	Richardson et al.	..... D14/250
D623,638 S *	9/2010	Richardson et al.	..... D14/250
D623,639 S	9/2010	Richardson et al.	
D626,964 S	11/2010	Richardson et al.	
D634,741 S	3/2011	Richardson et al.	
7,933,122 B2	4/2011	Richardson et al.	
D637,589 S	5/2011	Willes et al.	
D638,411 S	5/2011	Willes et al.	
D638,413 S	5/2011	Magness et al.	
D638,828 S	5/2011	Melanson et al.	
D640,679 S *	6/2011	Willes et al.	..... D14/250
D641,013 S	7/2011	Richardson et al.	
D642,170 S	7/2011	Johnson et al.	
D642,171 S	7/2011	Melanson et al.	
D643,422 S	8/2011	Smith et al.	
D643,423 S *	8/2011	Smith et al.	..... D14/250
D643,837 S	8/2011	Smith et al.	
D644,637 S	9/2011	Smith et al.	
D644,639 S	9/2011	Weller et al.	
D645,031 S	9/2011	Richardson et al.	
D649,347 S	11/2011	Smith et al.	
D651,203 S	12/2011	Michie et al.	
D651,594 S	1/2012	Melanson et al.	

(Continued)

*Primary Examiner* — Cynthia Underwood

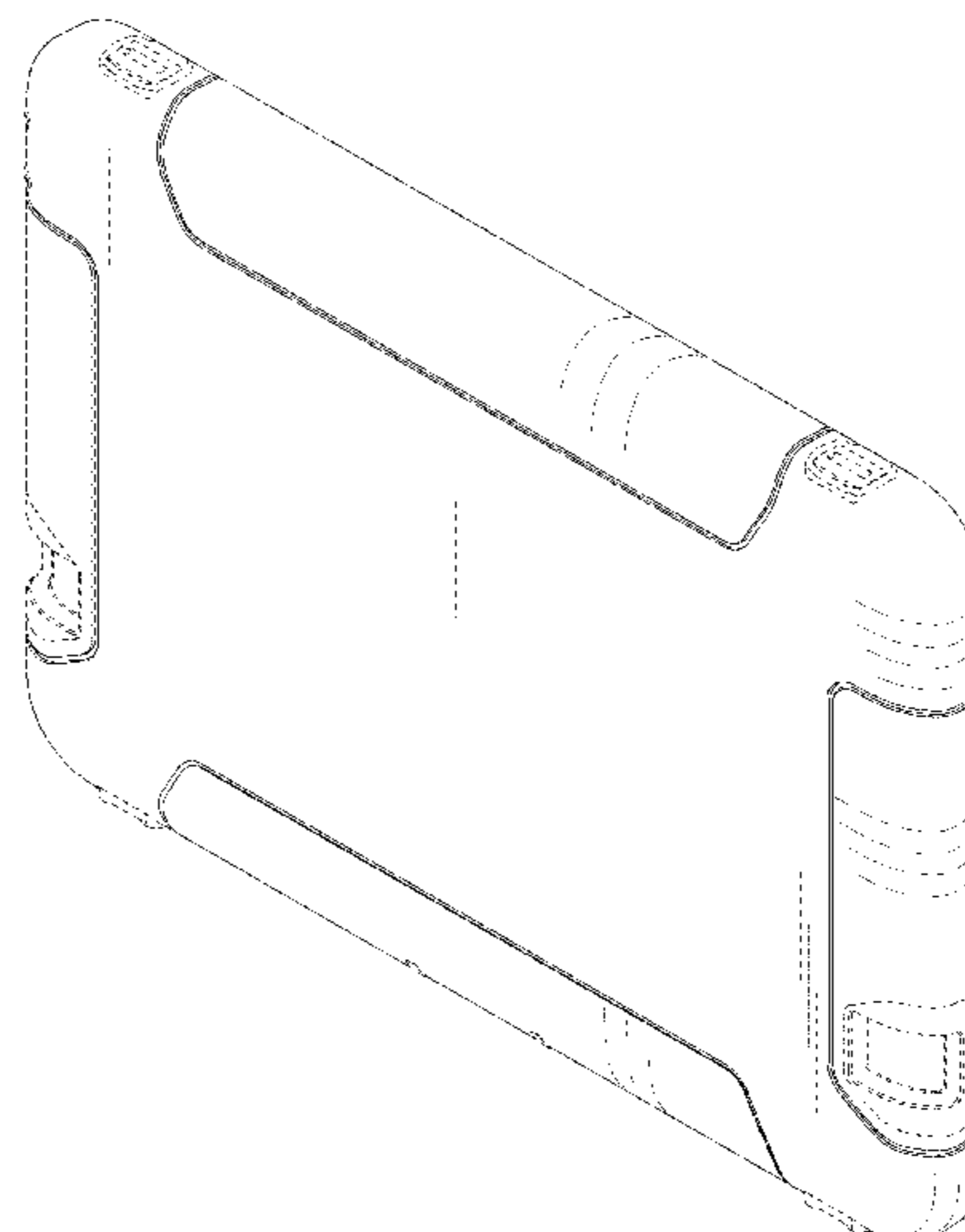
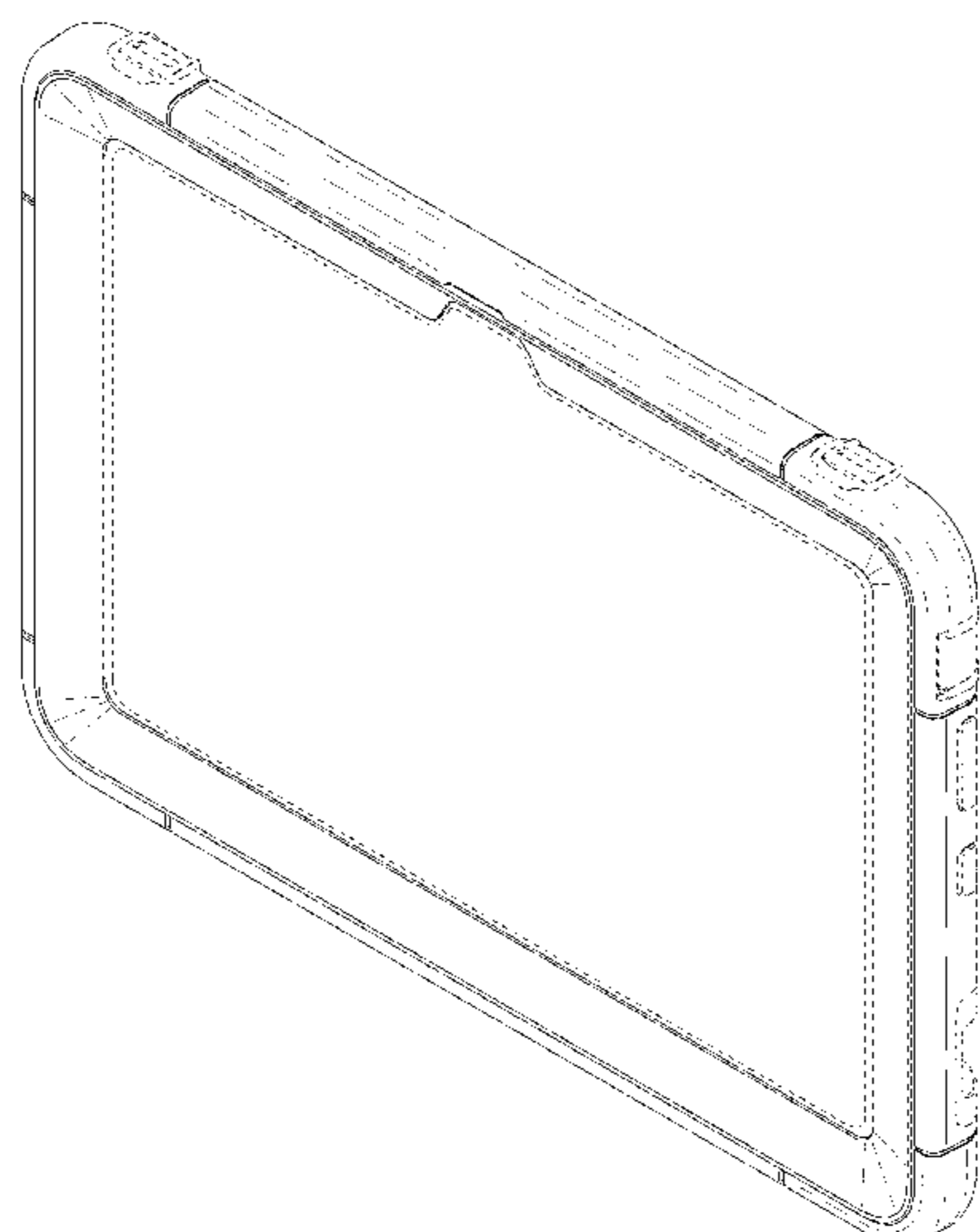
(57) **CLAIM**

The ornamental design for a case for electronic device, as shown and described.

**DESCRIPTION**

FIG. 1 is a front isometric view of a case for electronic device showing our new design;  
FIG. 2 is a rear isometric view thereof;  
FIG. 3 is a front view thereof;  
FIG. 4 is a rear view thereof;  
FIG. 5 is a left view thereof;  
FIG. 6 is a right view thereof;  
FIG. 7 is a top view thereof; and,  
FIG. 8 is a bottom view thereof.  
The broken lines depict unclaimed environment. The broken lines form no part of the claimed design.

**1 Claim, 6 Drawing Sheets**



(56)

**References Cited**

U.S. PATENT DOCUMENTS

D654,485 S	2/2012	Chang et al.	D673,552 S	1/2013	Weller et al.
D654,487 S	2/2012	Weller et al.	D673,569 S	1/2013	Smith et al.
D654,492 S	2/2012	Melanson et al.	D673,936 S	1/2013	Michie et al.
D657,137 S	4/2012	Weller et al.	D673,939 S	1/2013	Chang et al.
D661,482 S	6/2012	Chang et al.	D673,940 S	1/2013	Chang et al.
D661,483 S	6/2012	Weller et al.	D673,941 S	1/2013	Melanson et al.
D673,539 S	1/2013	Magness et al.	D674,791 S	1/2013	Melanson et al.
D673,541 S	1/2013	Weller et al.	D675,603 S	2/2013	Melanson et al.
D673,543 S	1/2013	Melanson et al.	D676,036 S	2/2013	Chang et al.
D673,545 S *	1/2013	Magness et al. .... D14/250	D676,435 S	2/2013	Chang et al.
D673,546 S	1/2013	Magness et al.	D676,838 S	2/2013	Magness et al.
D673,550 S	1/2013	Magness et al.	D677,251 S	3/2013	Melanson et al.
			D681,623 S *	5/2013	Chang et al. .... D14/250
			D684,568 S *	6/2013	Fitzgerald et al. .... D14/250

\* cited by examiner

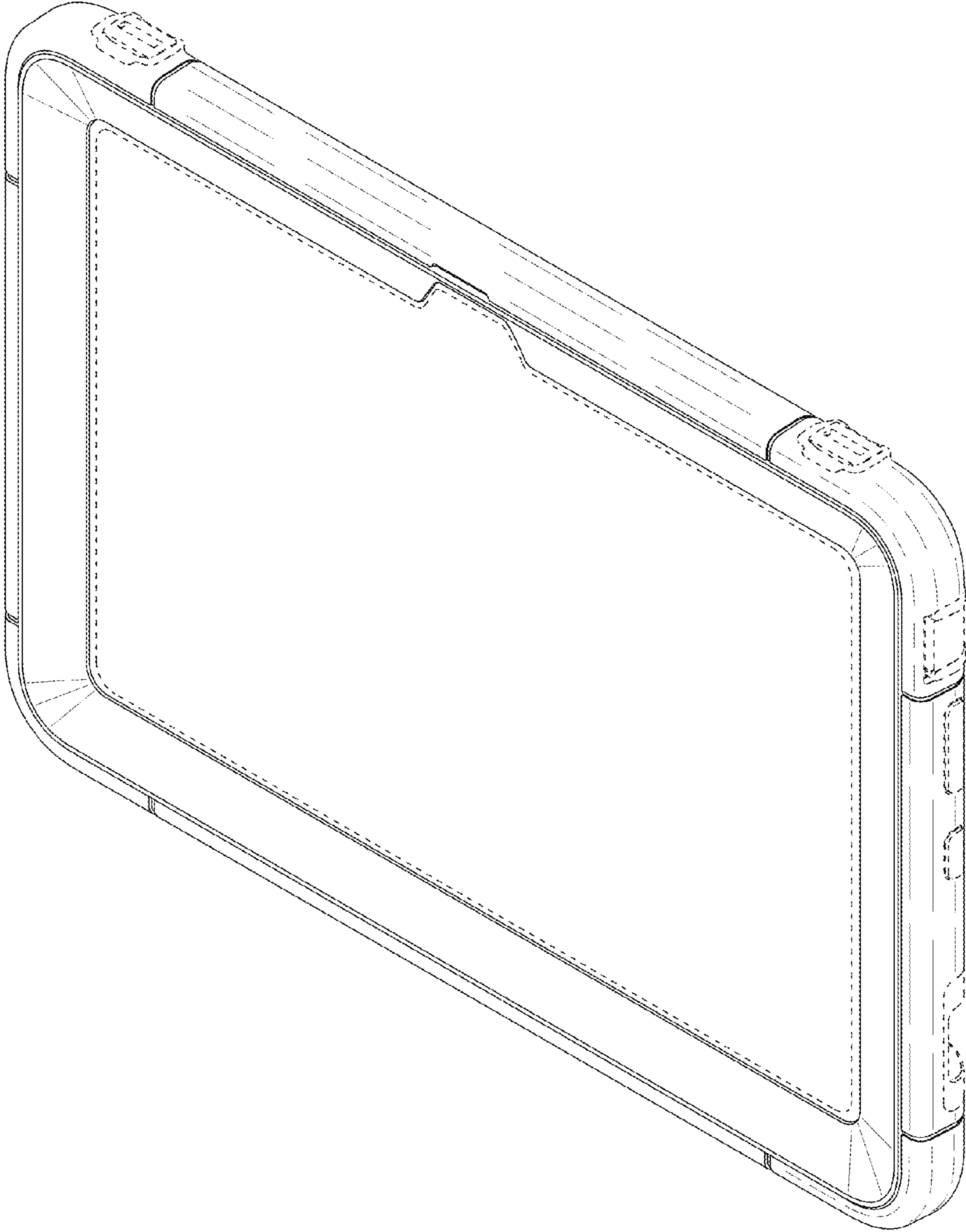


FIG. 1

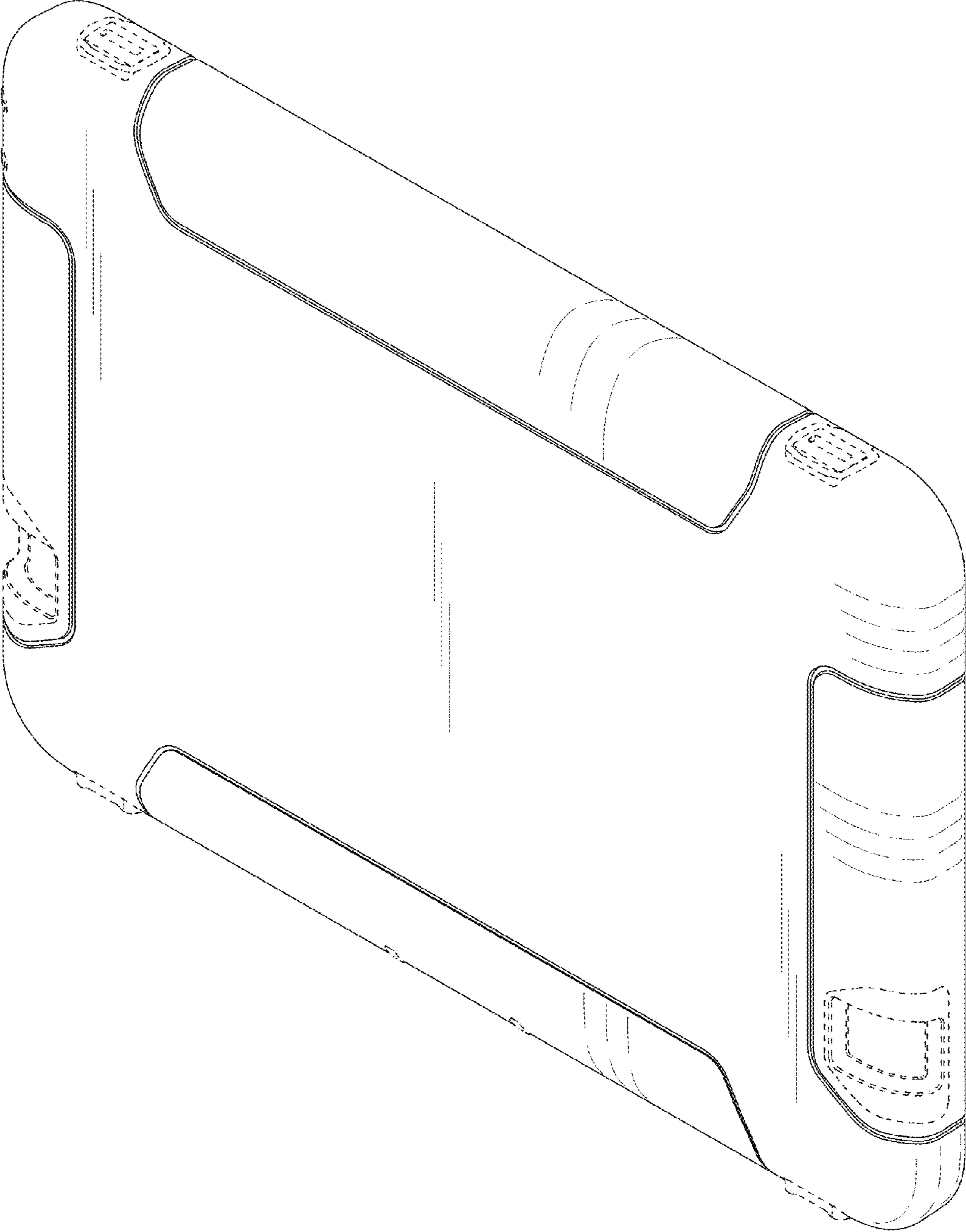


FIG. 2

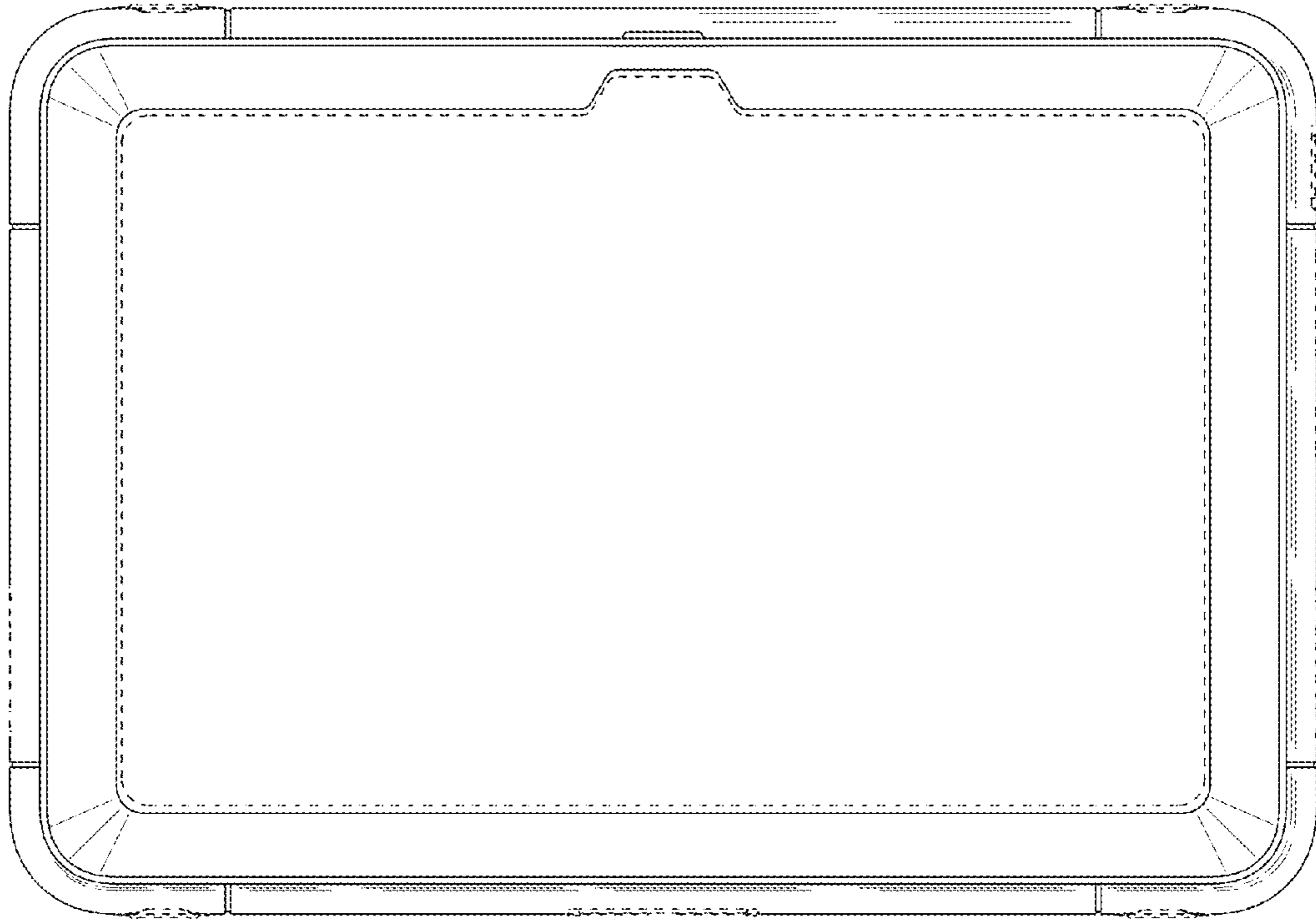


FIG. 3

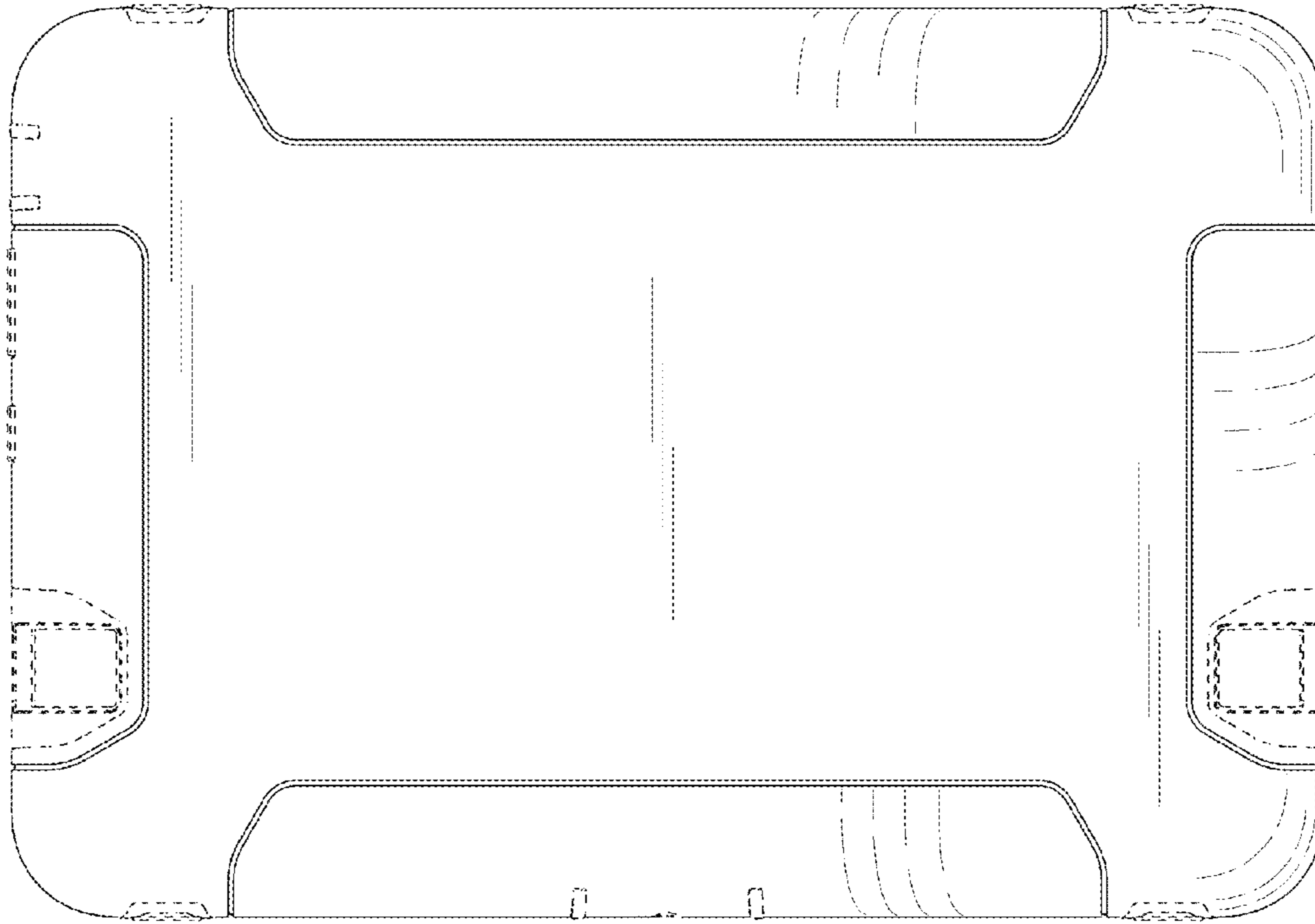


FIG. 4

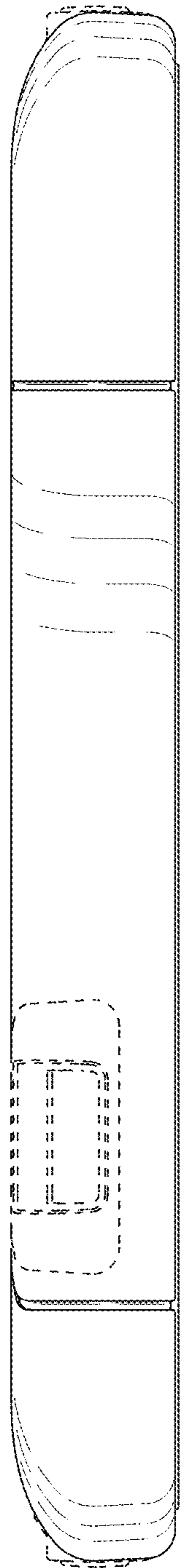


FIG. 5

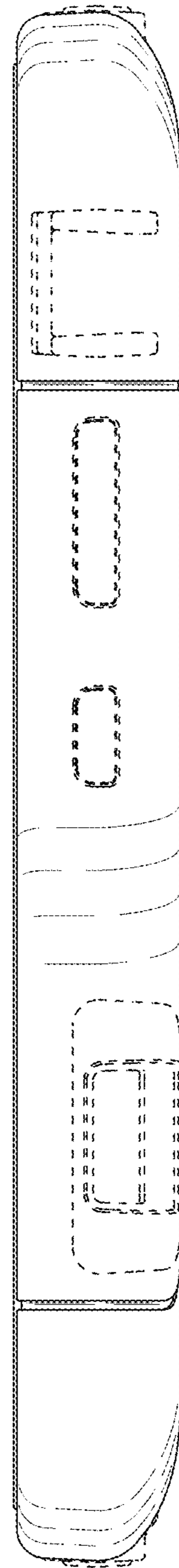


FIG. 6



FIG. 7



FIG. 8